



US00D728738S

(12) **United States Design Patent**
Birmelin

(10) **Patent No.:** **US D728,738 S**

(45) **Date of Patent:** **** May 5, 2015**

(54) **STREAM STRAIGHTENER FOR FAUCET**

(71) Applicant: **Neoperl GmbH**, Mullheim (DE)

(72) Inventor: **David Birmelin**, Mullheim (DE)

(73) Assignee: **Neoperl GmbH**, Müllheim (DE)

(**) Term: **14 Years**

(21) Appl. No.: **29/465,030**

(22) Filed: **Aug. 23, 2013**

(30) **Foreign Application Priority Data**

Mar. 11, 2013 (EM) 001363956

(51) **LOC (10) CL.** **23-01**

(52) **U.S. CL.**
USPC **D23/213**

(58) **Field of Classification Search**
USPC D23/213, 249; 239/428.5, 437;
361/DIG. 22; 366/276, 364-5
See application file for complete search history.

(56) **References Cited**

U.S. PATENT DOCUMENTS

D536,417 S * 2/2007 Buttgen D23/213
D537,916 S * 3/2007 Buttgen D23/213
D577,416 S * 9/2008 Buttgen D23/213

D641,836 S * 7/2011 Grether D23/249
D641,839 S * 7/2011 Grether D23/249
D642,662 S * 8/2011 Grether D23/249
D682,987 S * 5/2013 Blum D23/213
D684,240 S * 6/2013 Stein D23/213
D690,796 S * 10/2013 Blum D23/213
D690,797 S * 10/2013 Blum D23/213
D697,174 S * 1/2014 Blum D23/213
D697,175 S * 1/2014 Grether D23/213
D699,816 S * 2/2014 Blum D23/249
D700,282 S * 2/2014 Blum D23/213
D709,593 S * 7/2014 Blum D23/213

* cited by examiner

Primary Examiner — Robin V Webster

(74) *Attorney, Agent, or Firm* — Volpe and Koenig, P.C.

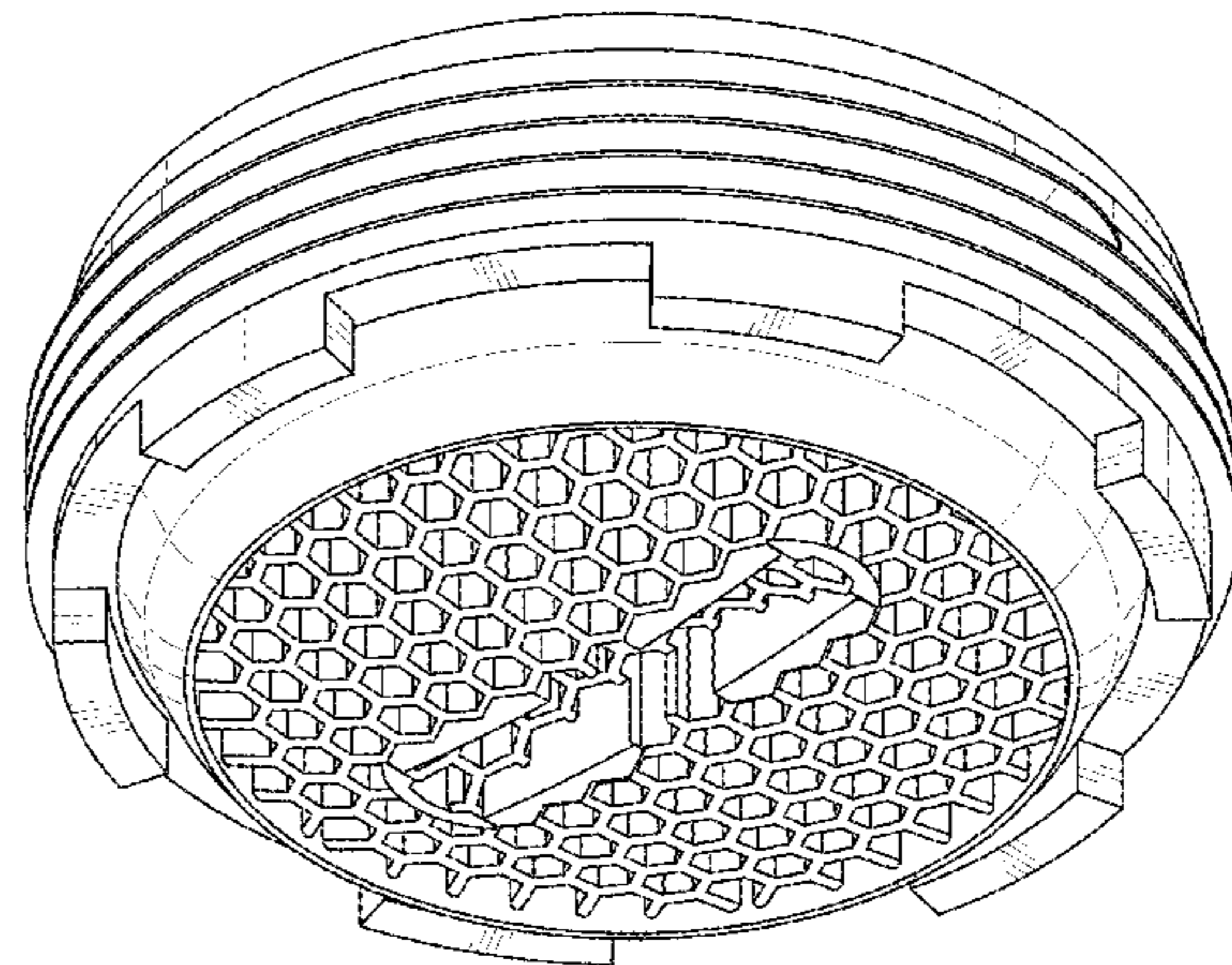
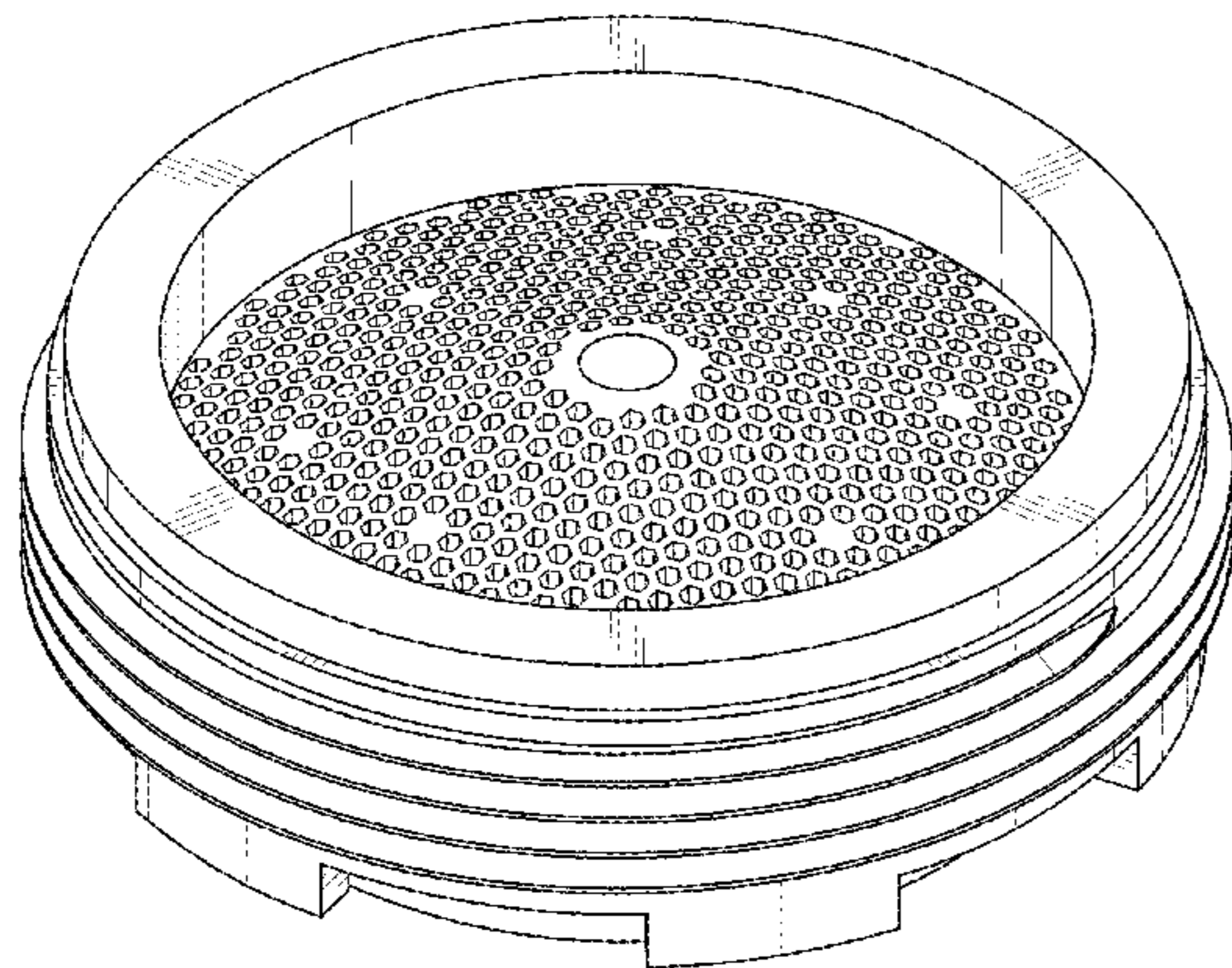
(57) **CLAIM**

The ornamental design for a stream straightener for faucet, as shown and described.

DESCRIPTION

FIG. 1 is a top plan view of a stream straightener for faucet in accordance with my design;
FIG. 2 is a top, front perspective view thereof;
FIG. 3 is a bottom view thereof;
FIG. 4 is a bottom, rear perspective view thereof; and,
FIG. 5 is an elevational view thereof.

1 Claim, 5 Drawing Sheets



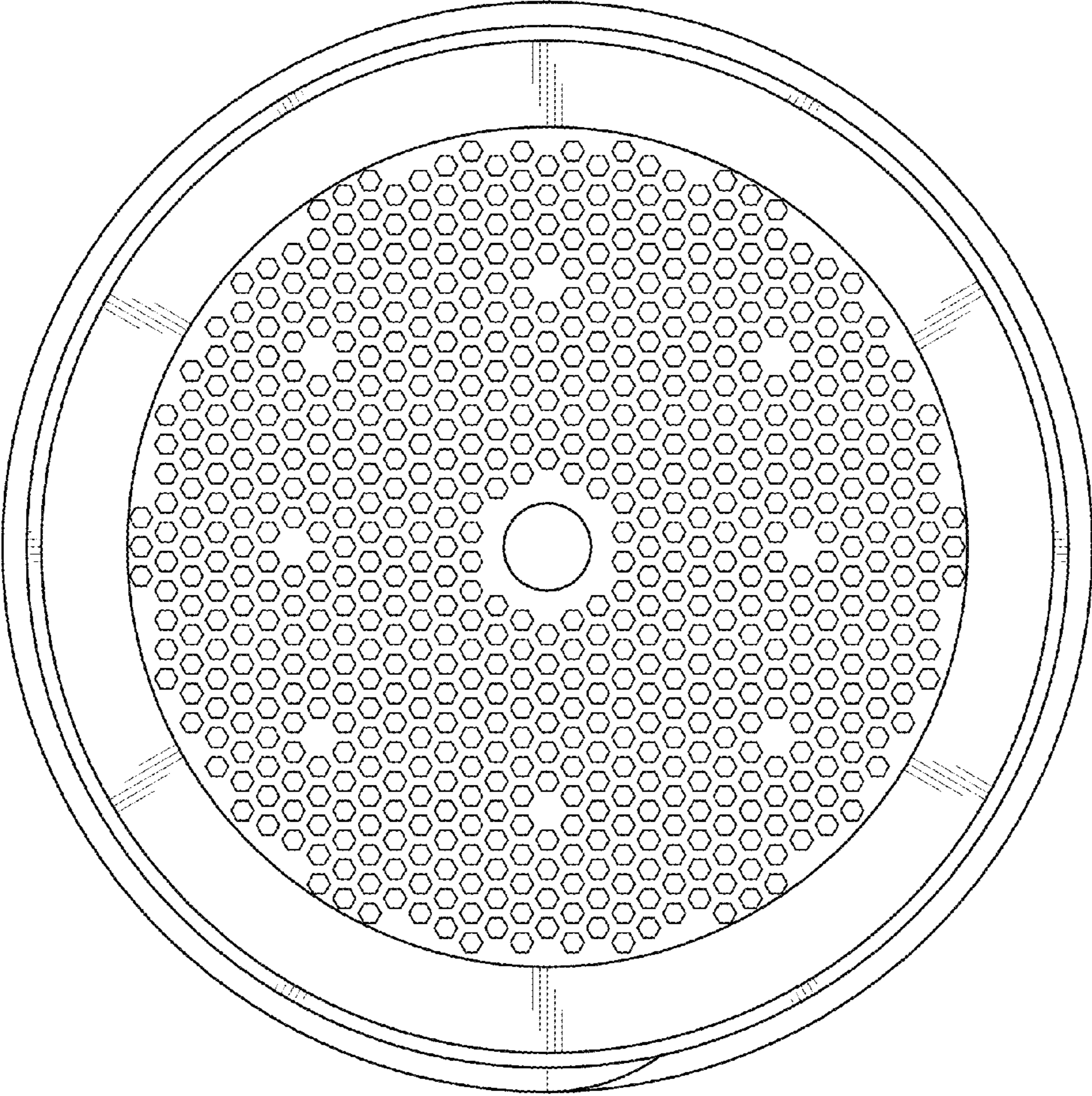


Fig. 1

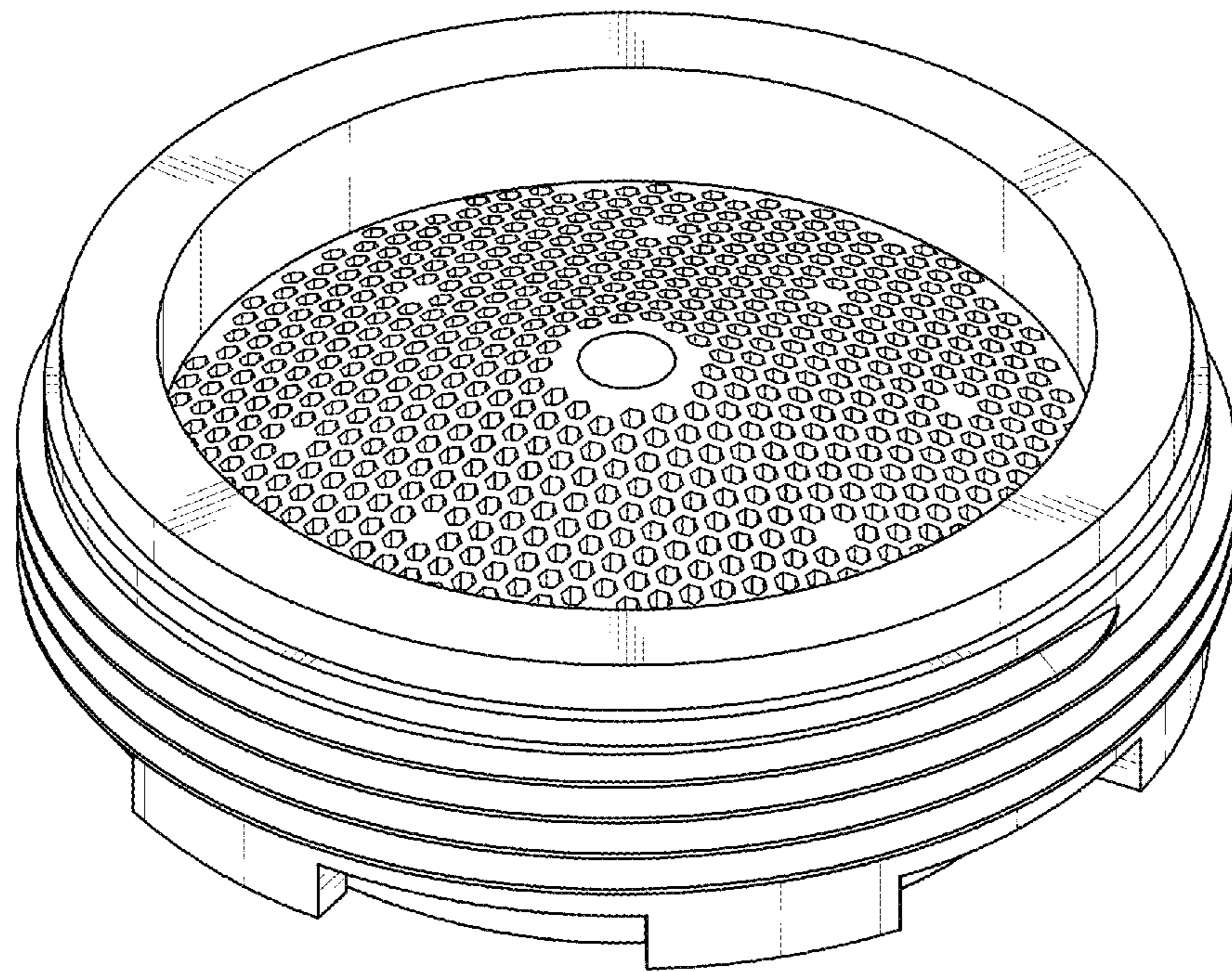


Fig. 2

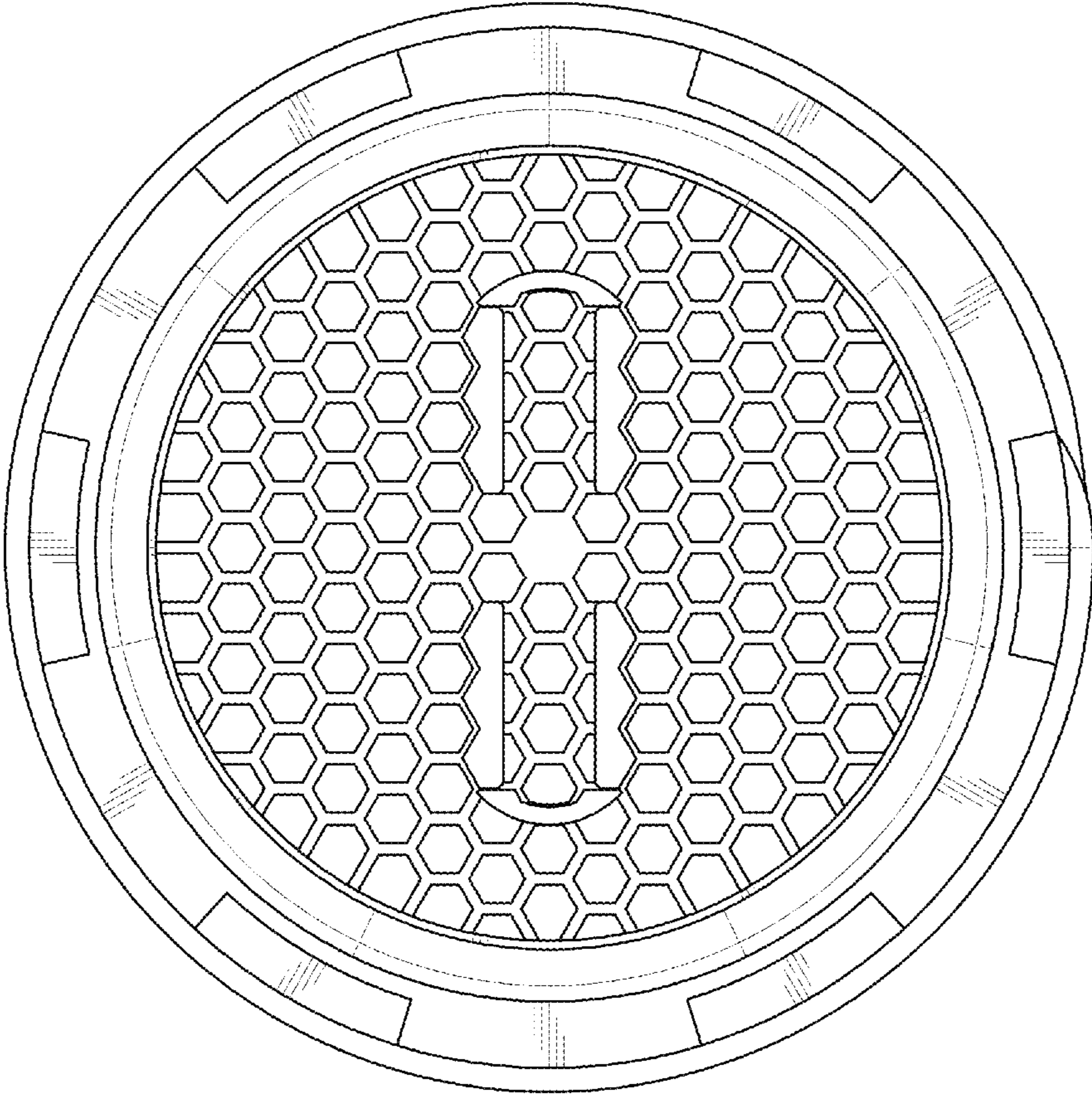


Fig. 3

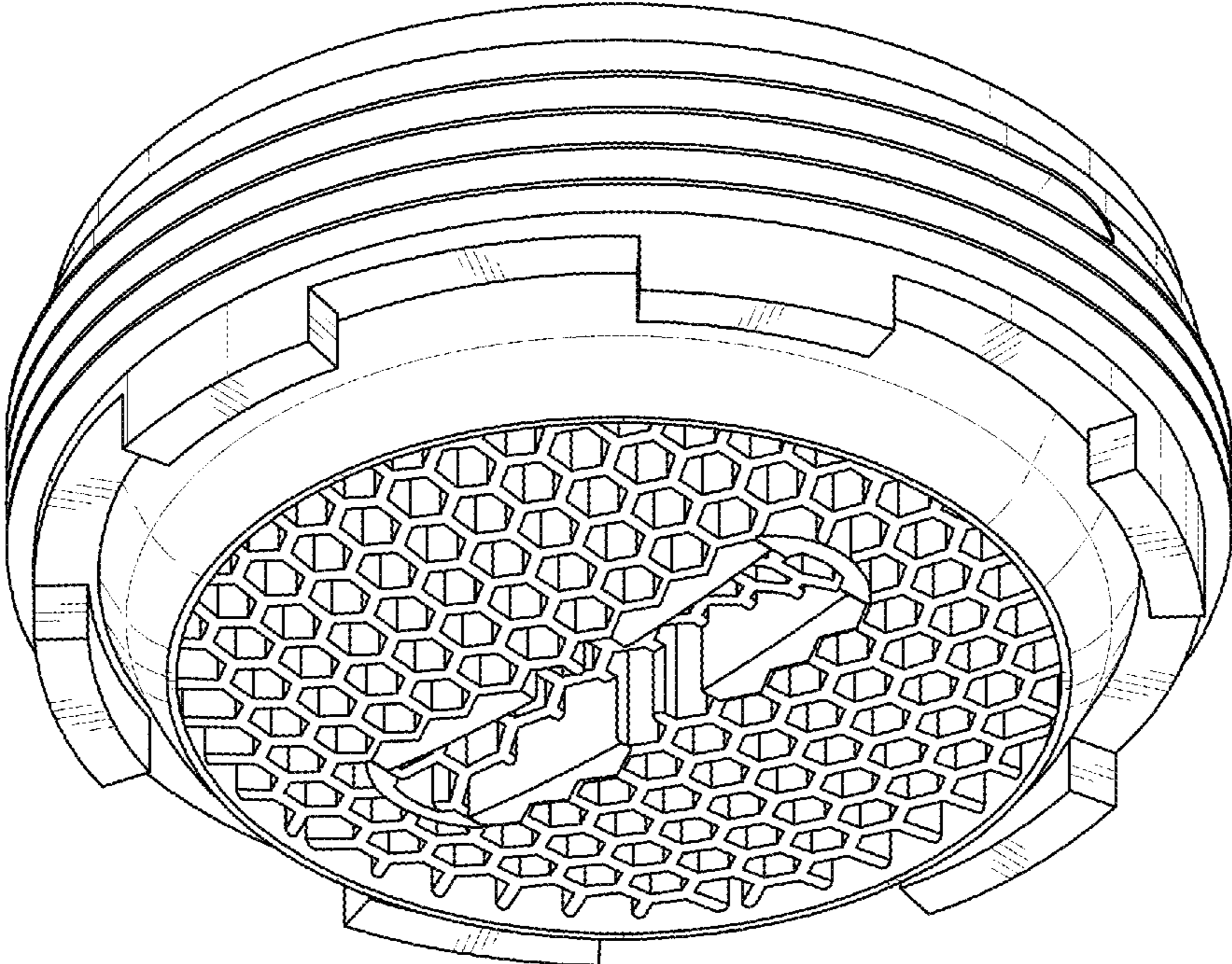


Fig. 4

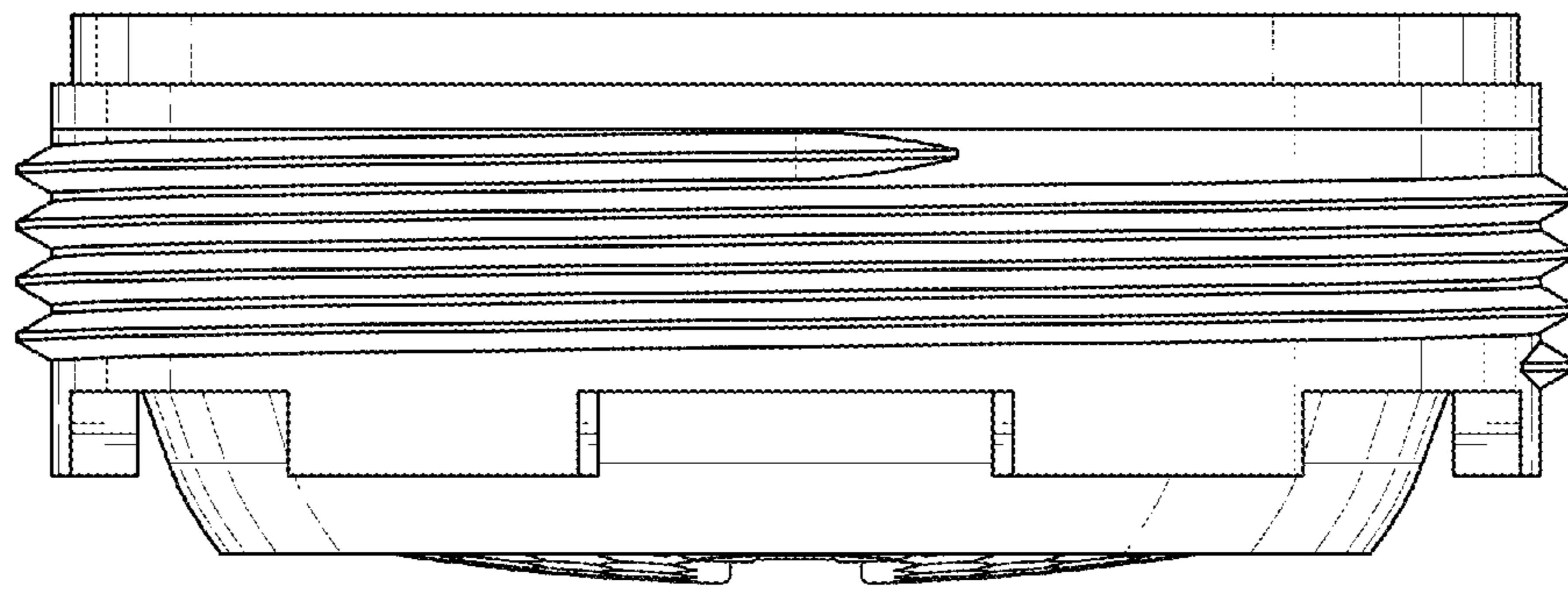


Fig. 5