



US00D728737S

(12) **United States Design Patent**
Mueller et al.

(10) **Patent No.:** **US D728,737 S**
(45) **Date of Patent:** **** May 5, 2015**

(54) **CLEANING NOZZLE**

(71) Applicant: **Kaercher Futuretech GmbH**,
Schwaikheim (DE)
(72) Inventors: **Michael Mueller**, Ilshofen (DE);
Michael Moser, Oberrot (DE); **Erwin**
Merz, Waiblingen (DE)
(73) Assignee: **Kaercher Futuretech GmbH**,
Schwaikheim (DE)

(**) Term: **14 Years**

(21) Appl. No.: **29/460,164**

(22) Filed: **Jul. 9, 2013**

(30) **Foreign Application Priority Data**

Jan. 11, 2013 (WO) DM/079 878

(51) **LOC (10) Cl.** **23-01**

(52) **U.S. Cl.**
USPC **D23/213; D32/25**

(58) **Field of Classification Search**
CPC B05B 9/007
USPC D23/213; D32/1, 15, 17, 25, 40;
239/589; 15/1.7, 246, 321, 322, 415.1
See application file for complete search history.

(56) **References Cited**

U.S. PATENT DOCUMENTS

D358,235	S	*	5/1995	Brooks et al.	D32/1
D436,700	S	*	1/2001	Forbes et al.	D32/25
6,691,362	B1	*	2/2004	Phillipson et al.	15/1.7
6,979,400	B2	*	12/2005	Bauckman et al.	210/167.1
8,732,883	B2	*	5/2014	Bauckman et al.	15/1.7

* cited by examiner

Primary Examiner — Robin V Webster

(74) *Attorney, Agent, or Firm* — Lipsitz & McAllister, LLC

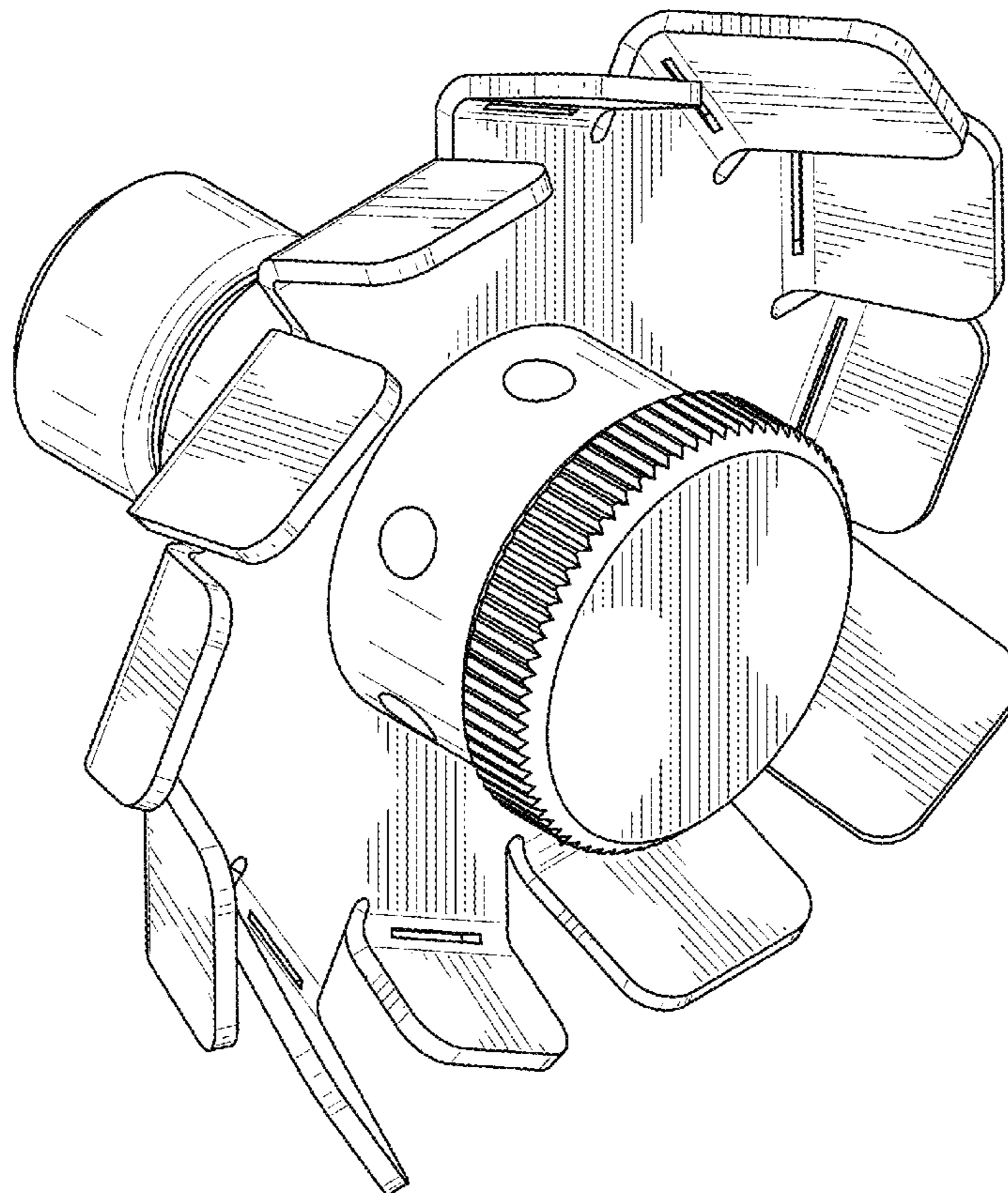
(57) **CLAIM**

The ornamental design for a cleaning nozzle, as shown and described.

DESCRIPTION

FIG. 1 is a front and right side perspective view of a cleaning nozzle showing the new design;
FIG. 2 is a front and left side perspective view thereof;
FIG. 3 is a front elevational view thereof;
FIG. 4 is a left side elevational view thereof;
FIG. 5 is a rear elevational view thereof; and,
FIG. 6 is a right side elevational view thereof.

1 Claim, 6 Drawing Sheets



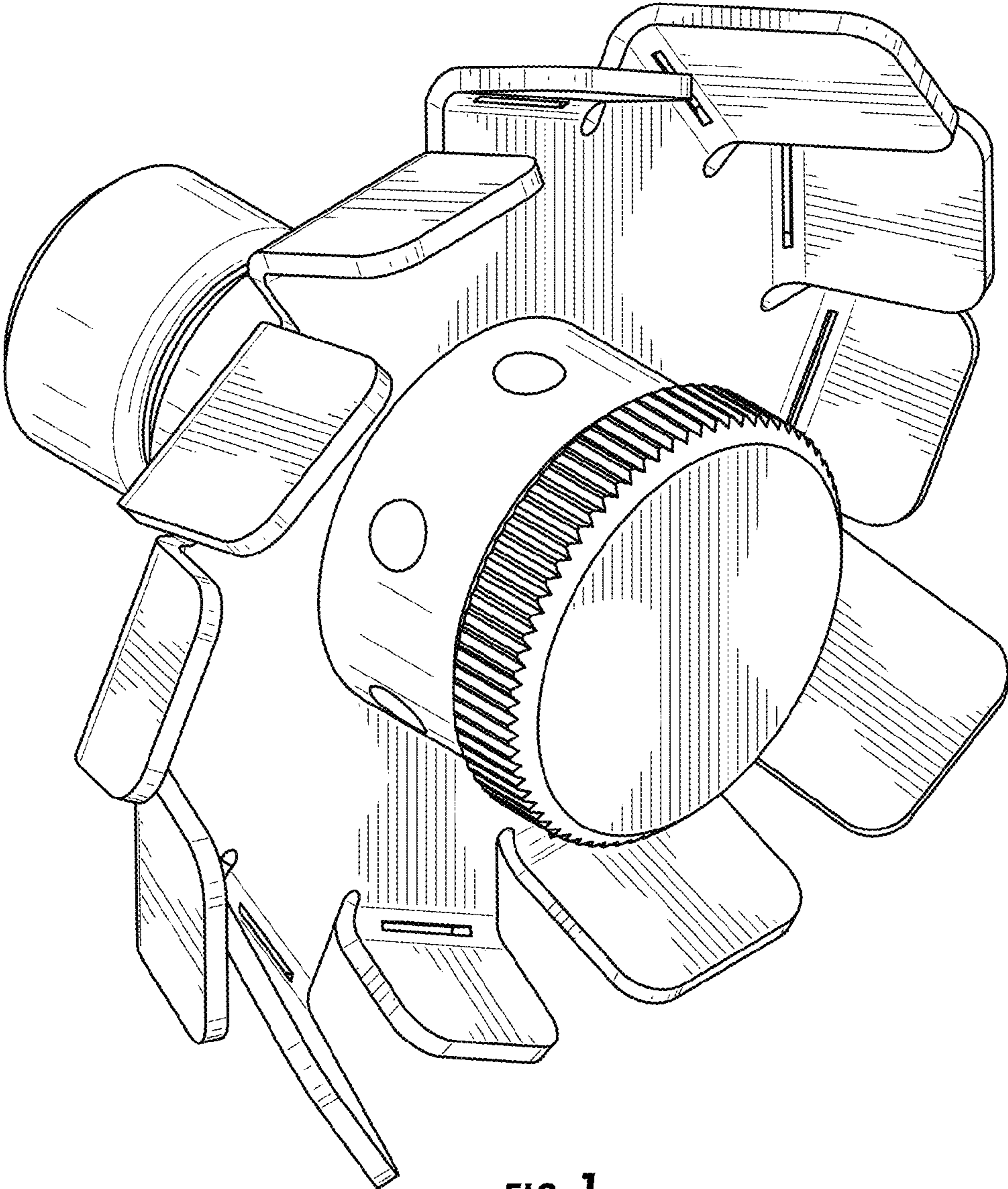


FIG. 1

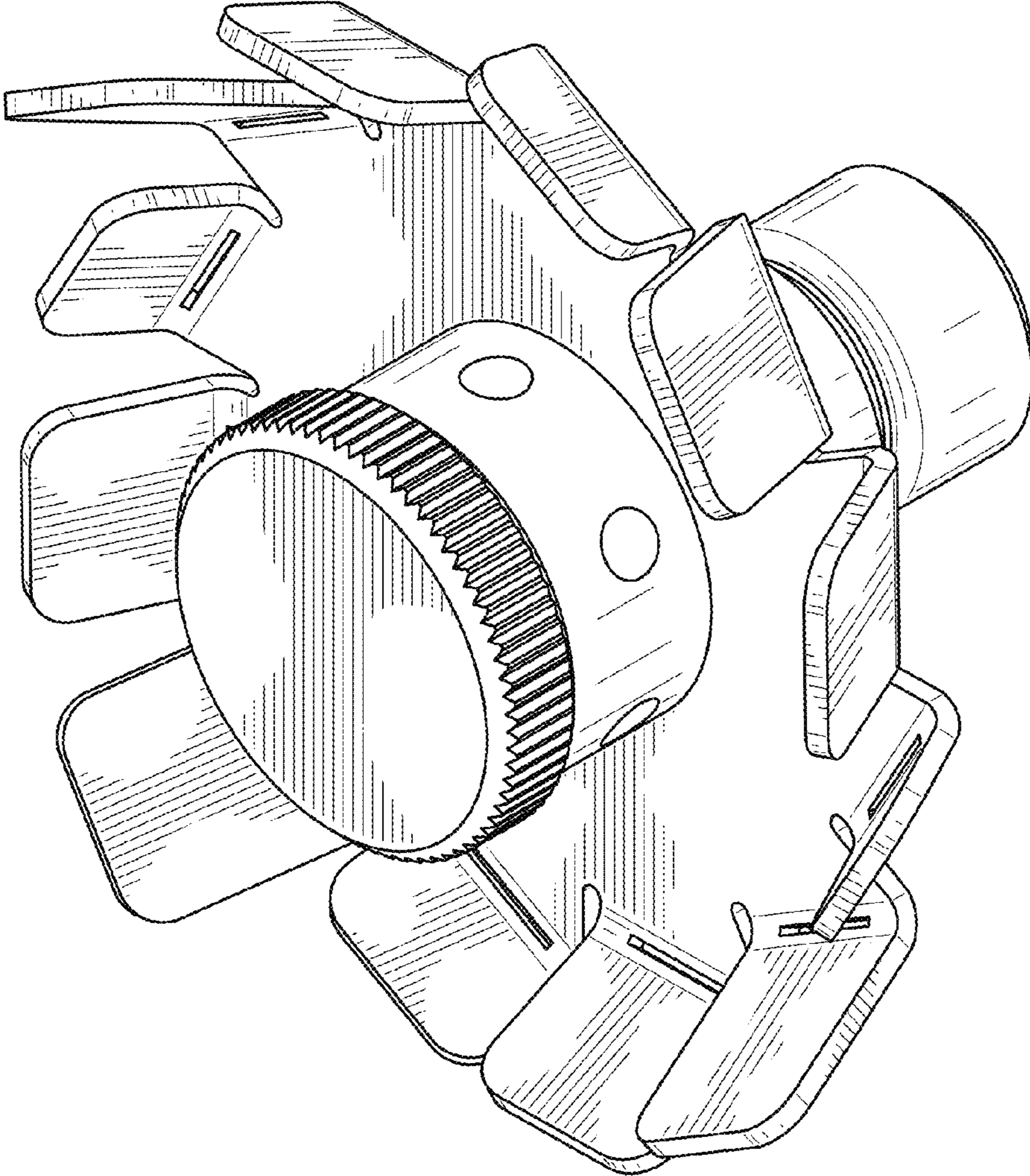


FIG. 2

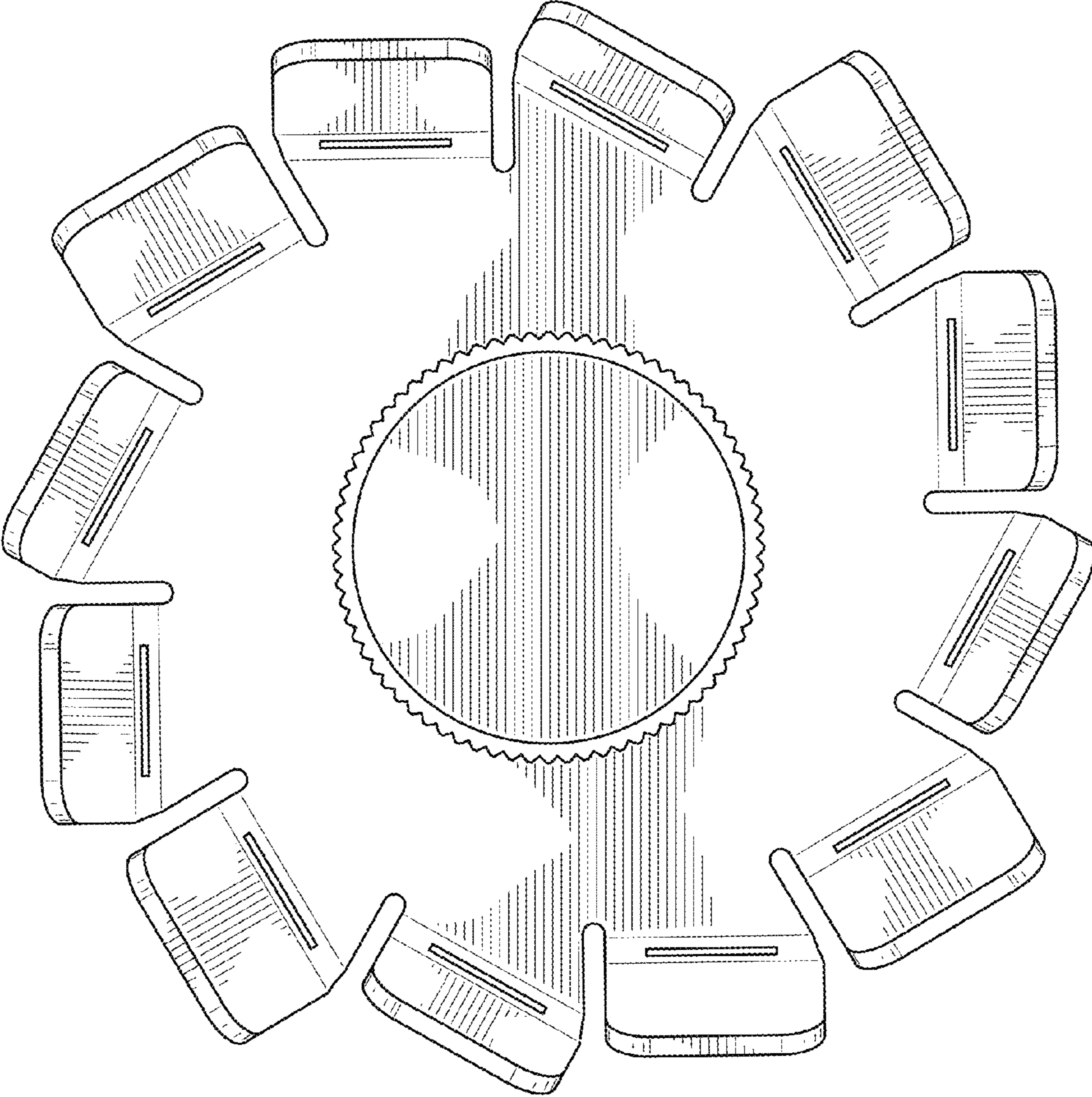


FIG. 3

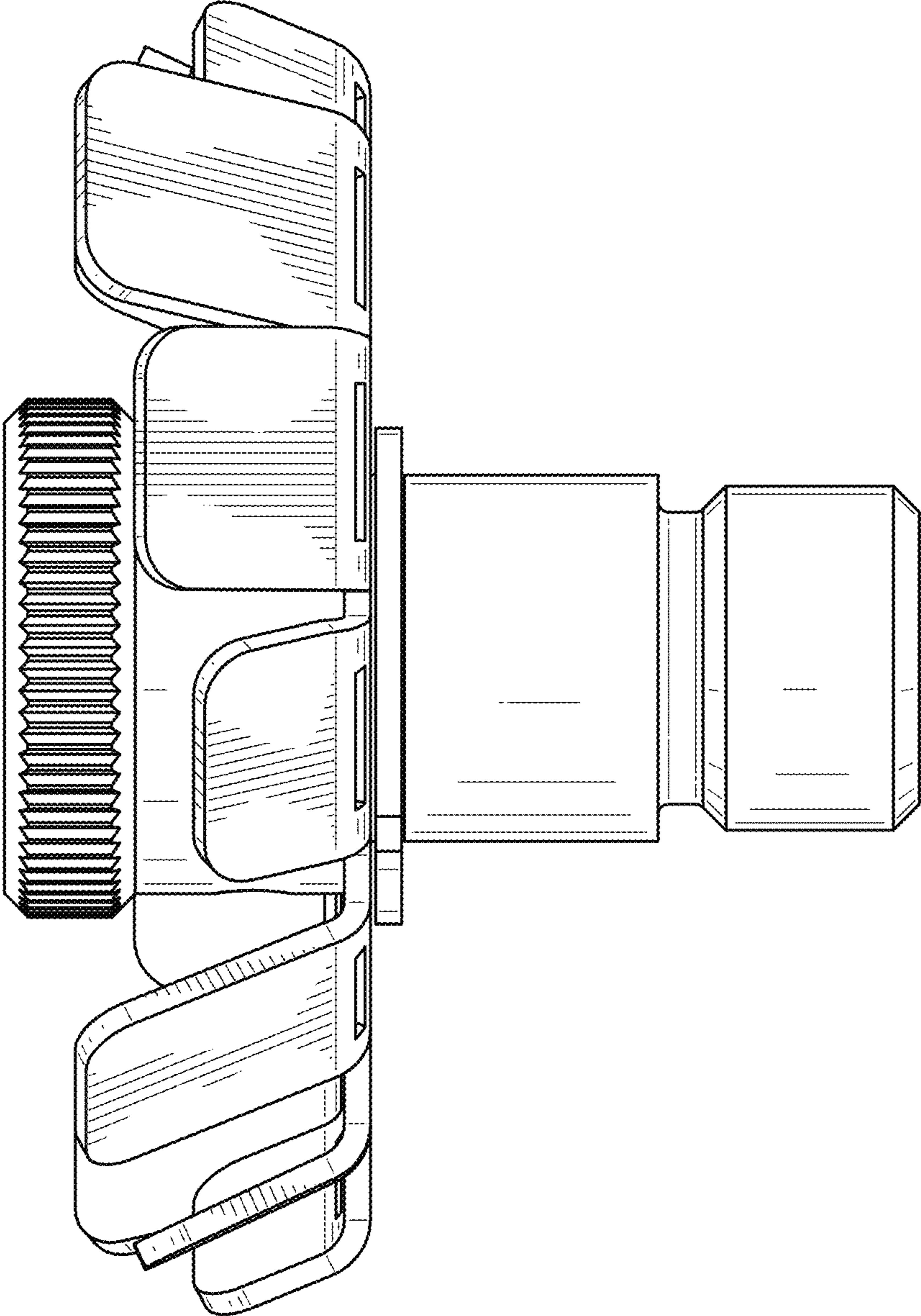


FIG. 4

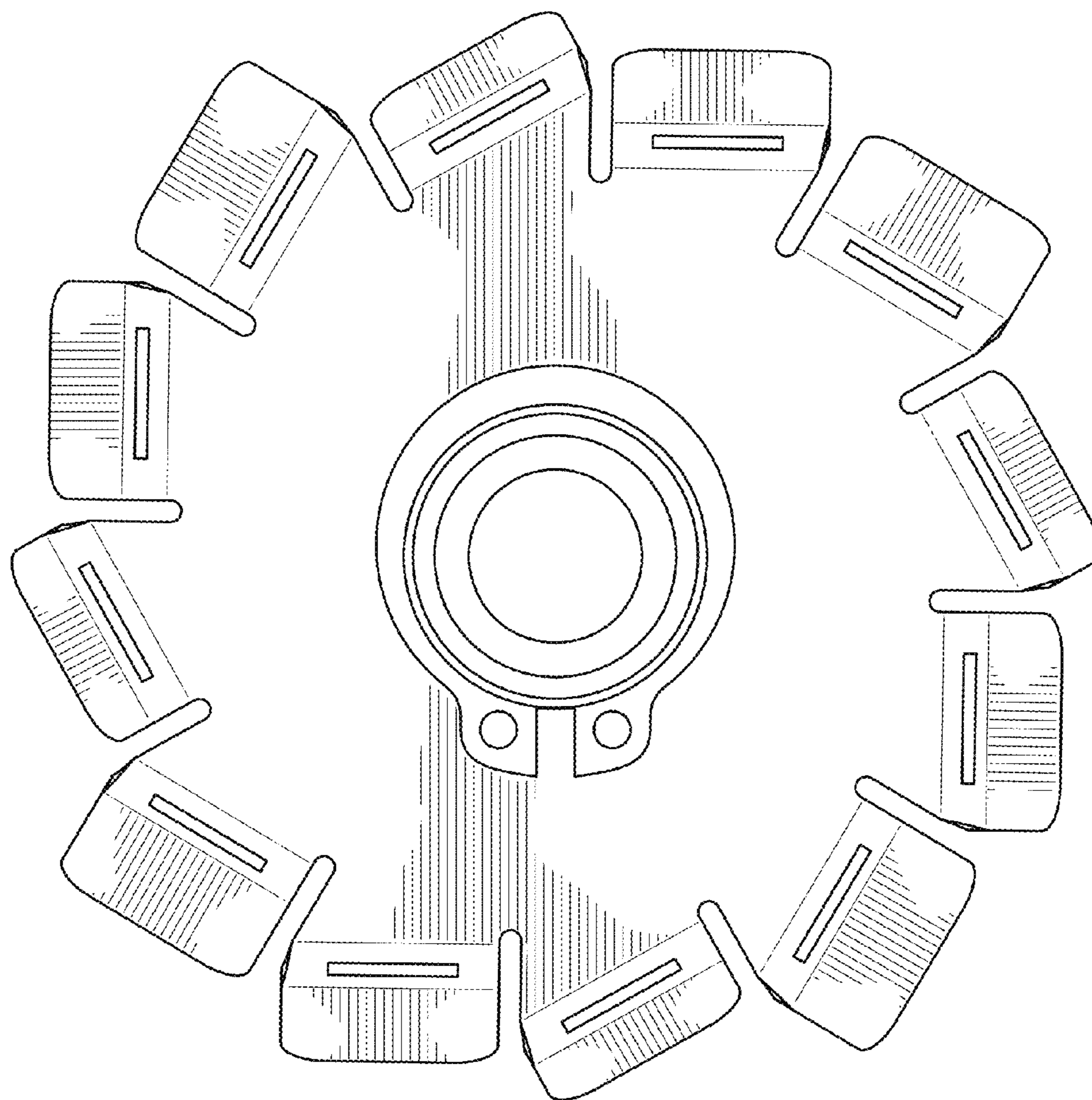


FIG. 5

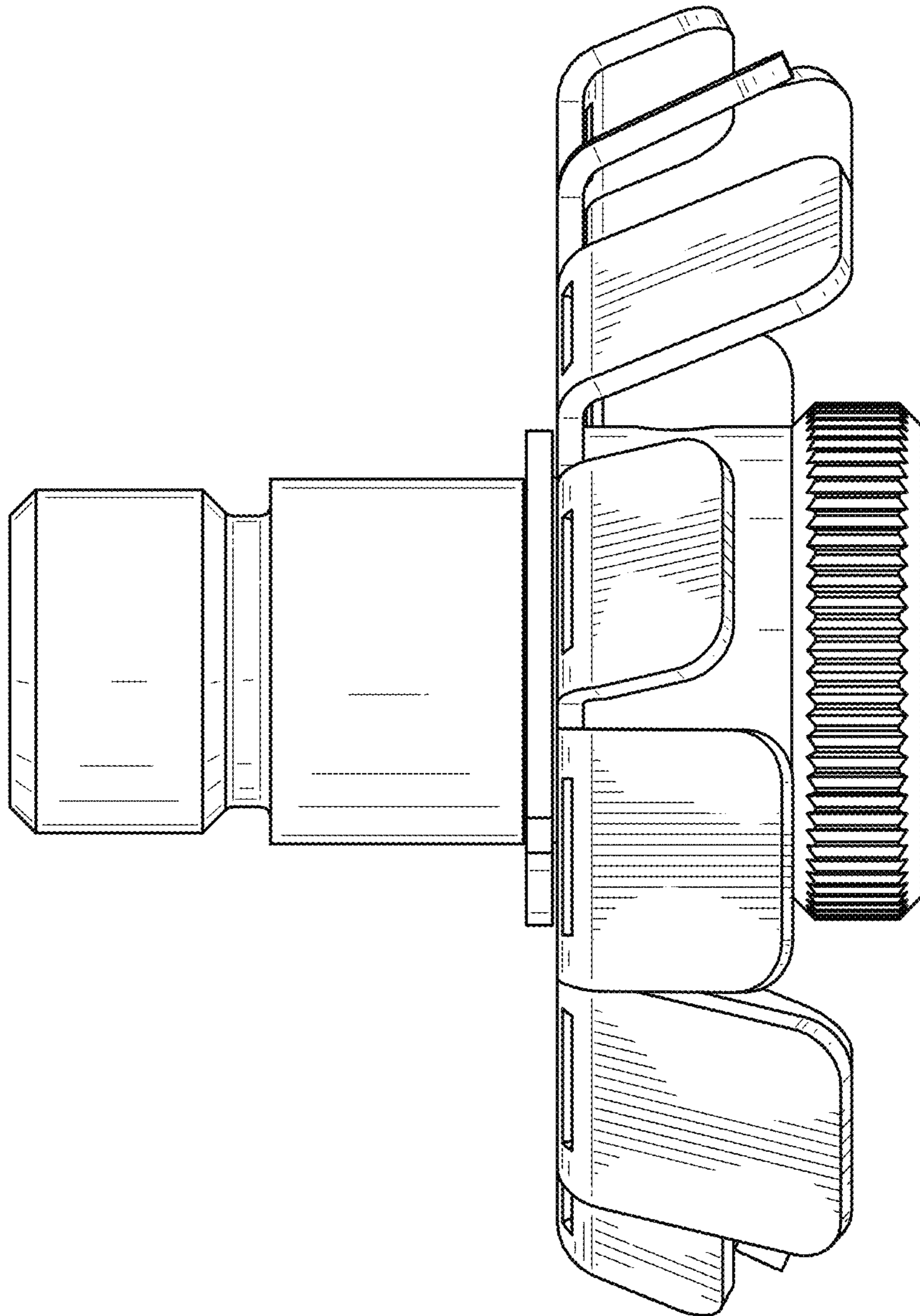


FIG. 6