



US00D728736S

(12) **United States Design Patent**
Dhuru et al.

(10) **Patent No.:** **US D728,736 S**

(45) **Date of Patent:** **** May 5, 2015**

(54) **FUEL DISPENSING NOZZLE**

(71) Applicants: **Yashodhan Dhuru**, Cincinnati, OH
(US); **Ares Marasligiller**, Cincinnati,
OH (US)

(72) Inventors: **Yashodhan Dhuru**, Cincinnati, OH
(US); **Ares Marasligiller**, Cincinnati,
OH (US)

(73) Assignee: **OPW Fueling Components Inc.**,
Hamilton, OH (US)

(**) Term: **14 Years**

(21) Appl. No.: **29/456,342**

(22) Filed: **May 30, 2013**

(30) **Foreign Application Priority Data**

Nov. 30, 2012 (EM) 002145748-0001

Nov. 30, 2012 (EM) 002145748-0002

(51) **LOC (10) Cl.** **23-01**

(52) **U.S. Cl.**
USPC **D23/213**

(58) **Field of Classification Search**
USPC D23/213, 223, 226; 239/525-527, 459;
141/392

See application file for complete search history.

(56) **References Cited**

U.S. PATENT DOCUMENTS

4,378,824	A *	4/1983	Carder, Sr.	141/206
D350,386	S	9/1994	Dotson et al.	
D366,310	S	1/1996	Fell	
5,645,115	A *	7/1997	Kesterman et al.	141/206
6,830,086	B2 *	12/2004	Smith et al.	141/392
7,234,614	B1 *	6/2007	Knight et al.	222/566
7,255,142	B2 *	8/2007	Carder et al.	141/392
D648,417	S *	11/2011	Varini	D23/226
8,066,037	B2 *	11/2011	Lawrence et al.	141/311 A
D650,047	S *	12/2011	Varini	D23/226
D656,221	S	3/2012	Gevers et al.	

FOREIGN PATENT DOCUMENTS

TW 312604 8/1997

* cited by examiner

Primary Examiner — Robin V Webster

(74) *Attorney, Agent, or Firm* — Thompson Hine LLP

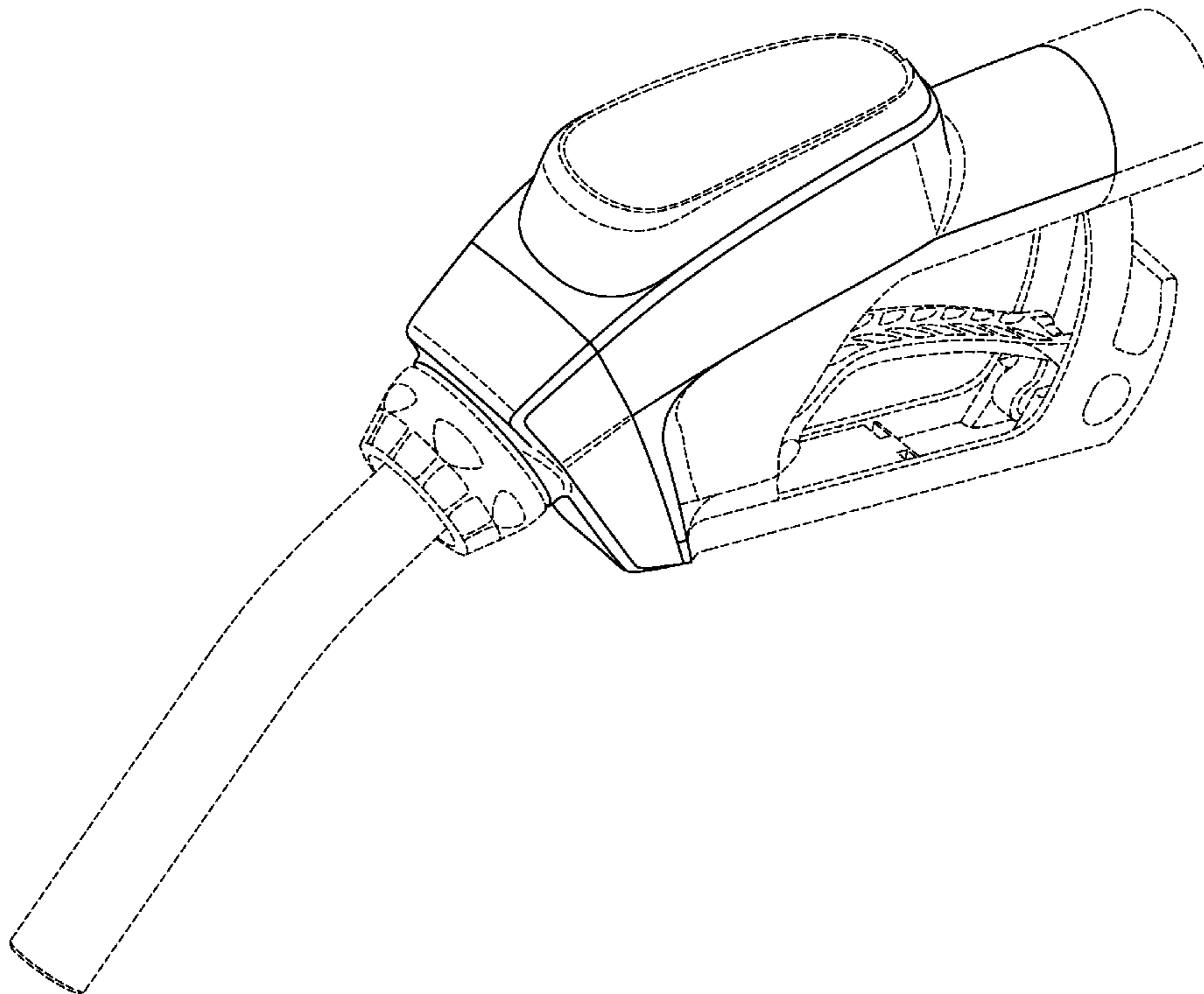
(57) **CLAIM**

The ornamental design for fuel dispensing nozzle, as shown and described.

DESCRIPTION

FIG. 1 is a front perspective view of a fuel dispensing nozzle showing our new design; FIG. 2 is a side view thereof; and, FIG. 3 is a front view thereof. The dashed lines are for illustrative purposes only and do not constitute any part of the claimed designed.

1 Claim, 3 Drawing Sheets



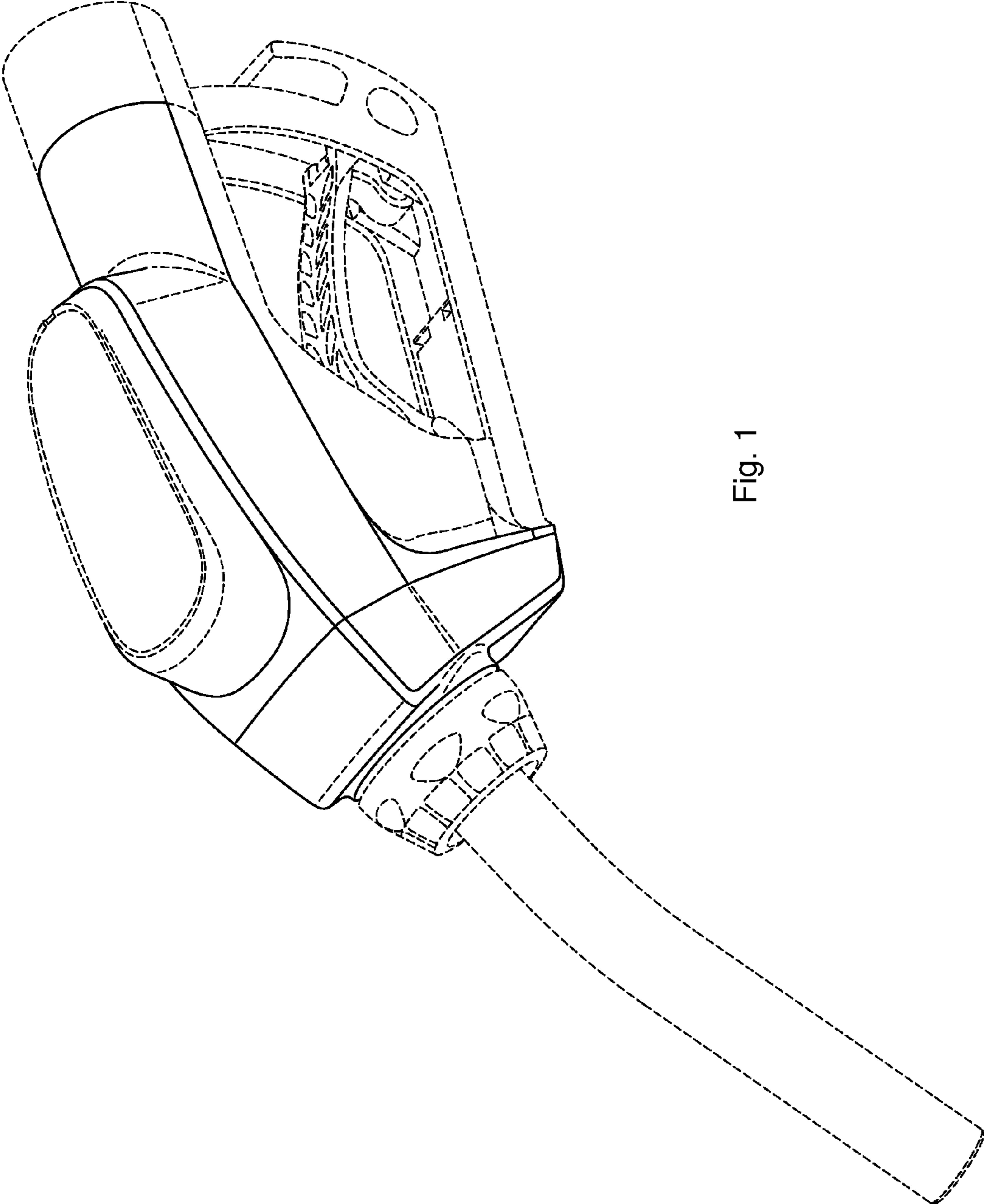


Fig. 1

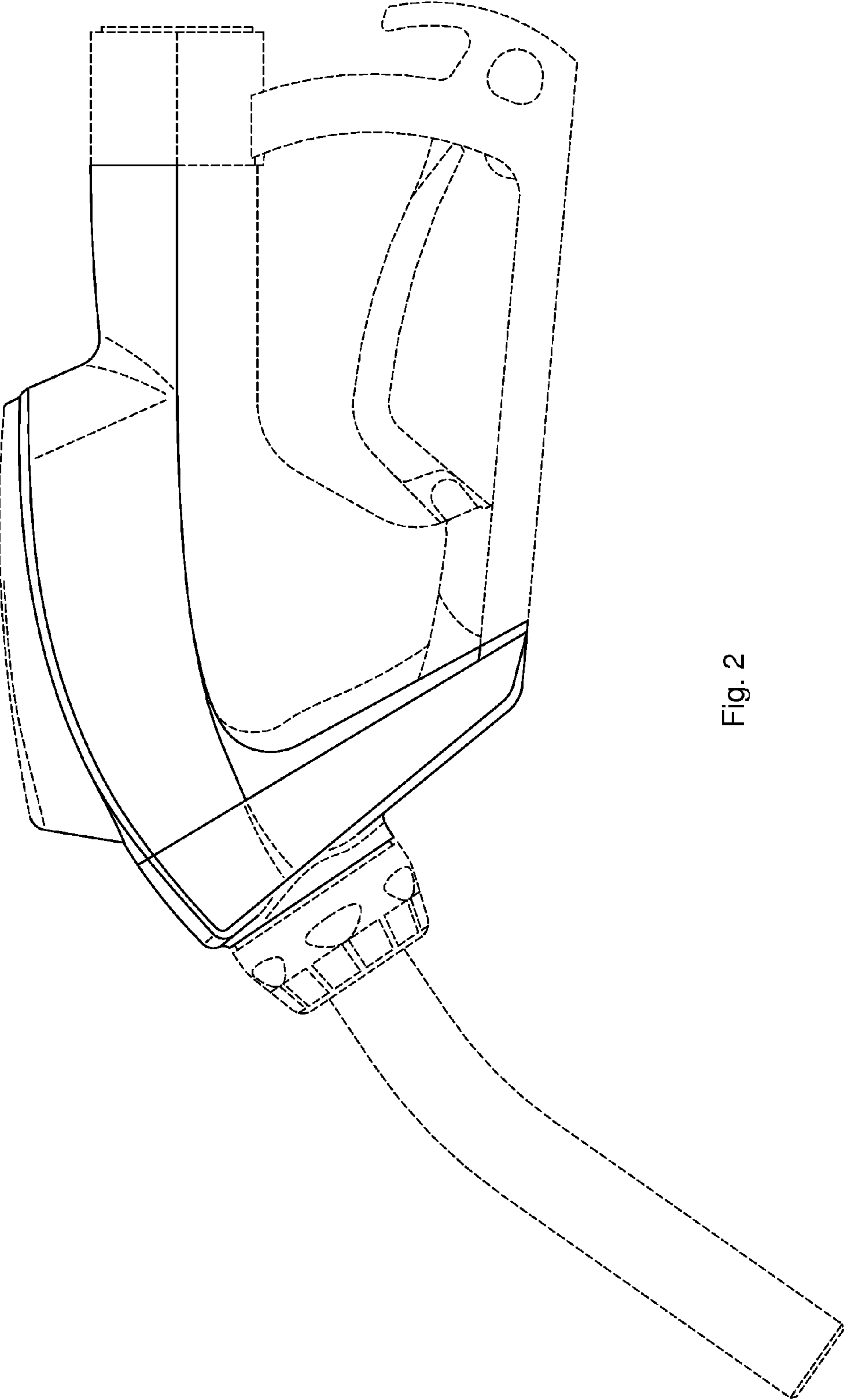


Fig. 2

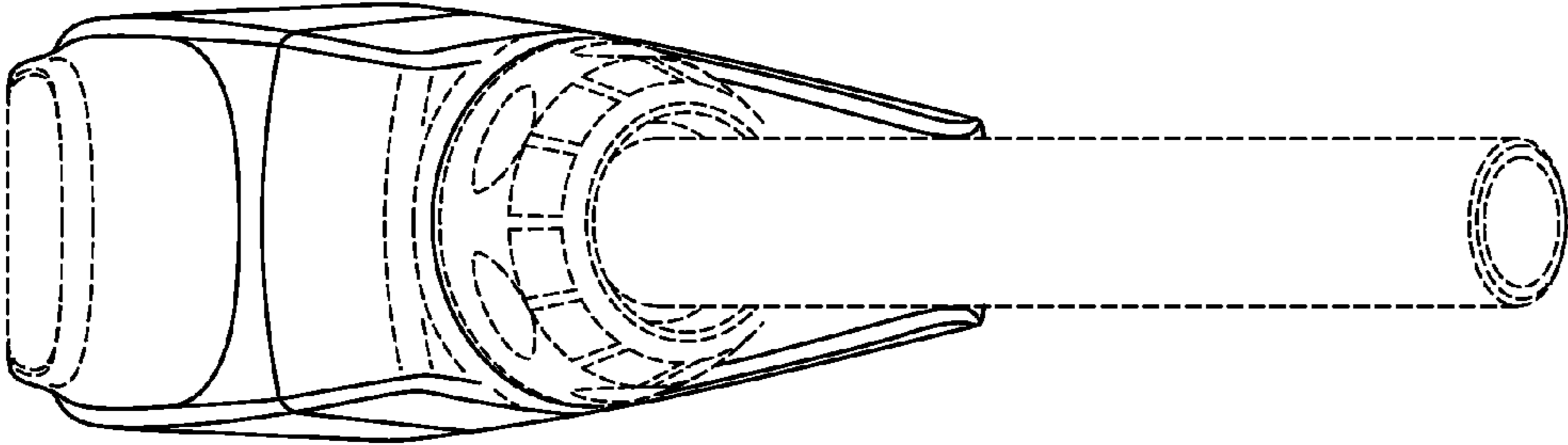


Fig. 3