



US00D728733S

(12) **United States Design Patent**
Zöller

(10) **Patent No.:** **US D728,733 S**

(45) **Date of Patent:** **** May 5, 2015**

(54) **SUPPLY FOR WATER FILTER CARTRIDGES**

(56) **References Cited**

(71) Applicant: **BRITA Professional GmbH & Co. KG,**
Taunusstein (DE)

U.S. PATENT DOCUMENTS

(72) Inventor: **Jochen Zöller,** Nastätten (DE)

6,977,006	B2 *	12/2005	Reid	55/495
7,011,754	B2 *	3/2006	Chang	210/315
7,037,424	B2 *	5/2006	Niermeyer et al.	210/321.6
7,163,618	B2 *	1/2007	Beckham et al.	210/136
8,017,008	B2 *	9/2011	Kim	210/232
D711,500	S *	8/2014	Marchetti	D23/209

(73) Assignee: **BRITA Professional GmbH & Co. KG,**
Taunusstein (DE)

* cited by examiner

(**) Term: **14 Years**

Primary Examiner — Robin V Webster

(21) Appl. No.: **29/467,548**

(74) *Attorney, Agent, or Firm* — Hudak, Shunk & Farine Co.
LPA

(22) Filed: **Sep. 20, 2013**

(57) **CLAIM**

The ornamental design for a “supply for water filter car-
tridges,” as shown and described.

(30) **Foreign Application Priority Data**

DESCRIPTION

Mar. 21, 2013 (DE) 40 2013 100 257

(51) **LOC (10) Cl.** **23-01**

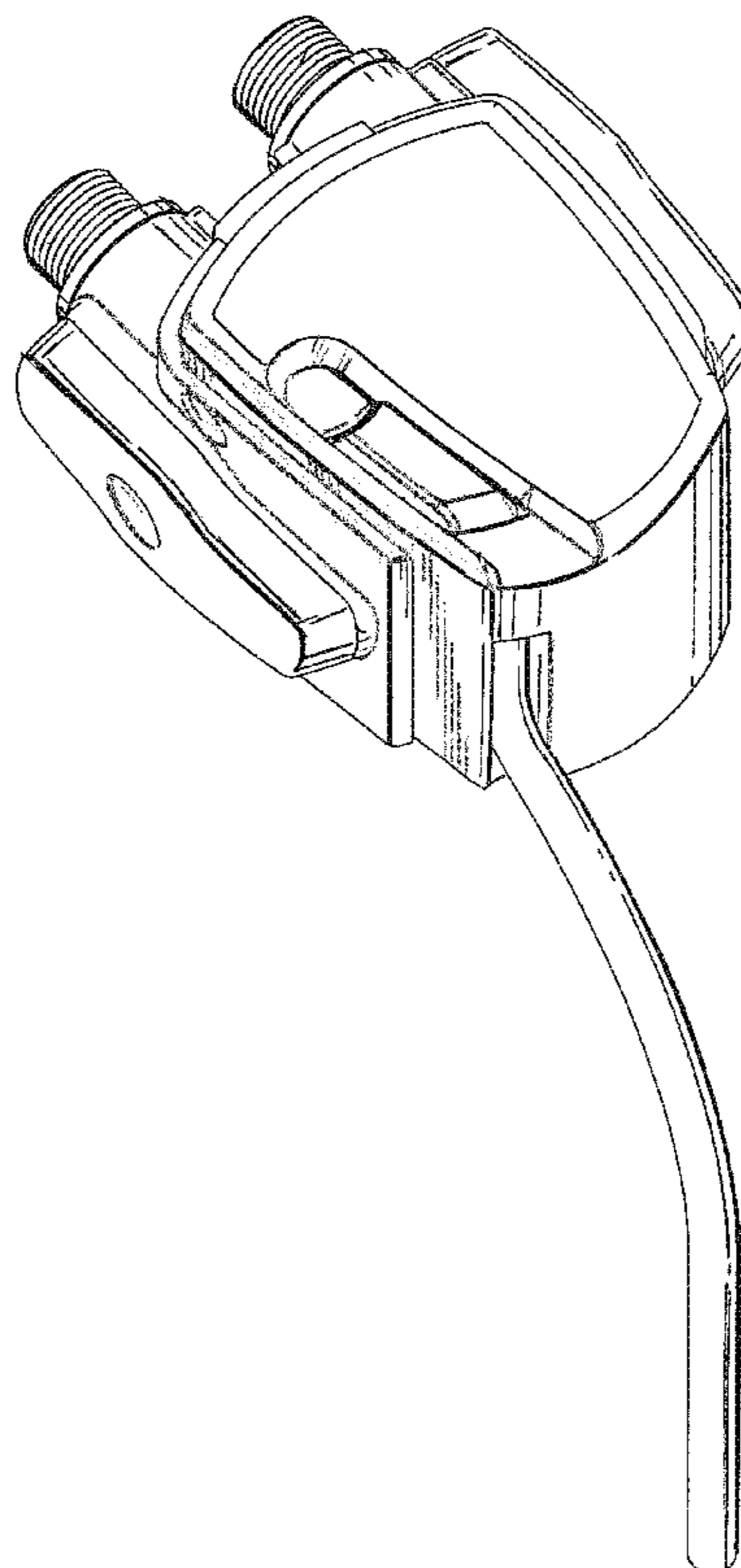
(52) **U.S. Cl.**
USPC **D23/207**

(58) **Field of Classification Search**
CPC . B01D 35/30; B01D 35/306; B01D 2201/307
USPC D23/207–209; 210/335, 338, 435, 440,
210/443, 450; D10/95, 101

FIG. 1 is a top view of the supply apparatus;
FIG. 2 is a bottom view;
FIG. 3 is a front view;
FIG. 4 is a rear view;
FIG. 5 is a right side view;
FIG. 6 is a left side view; and,
FIG. 7 is a slightly downward looking front, left side perspec-
tive view of the supply for water filter cartridges.
The broken line disclosure is understood to be for illustrative
purposes only and forms no part of the claimed design.

See application file for complete search history.

1 Claim, 7 Drawing Sheets



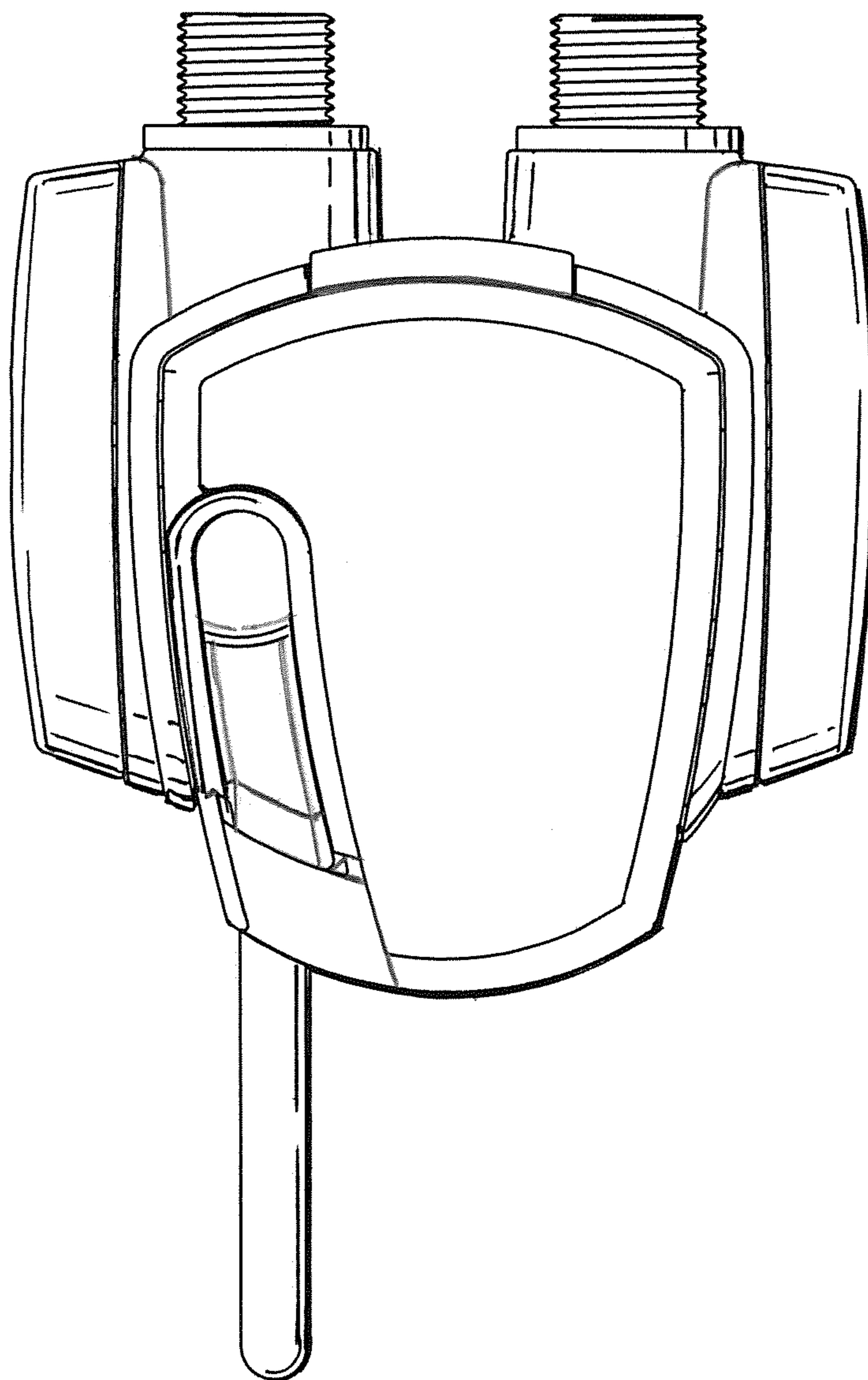


FIG. 1

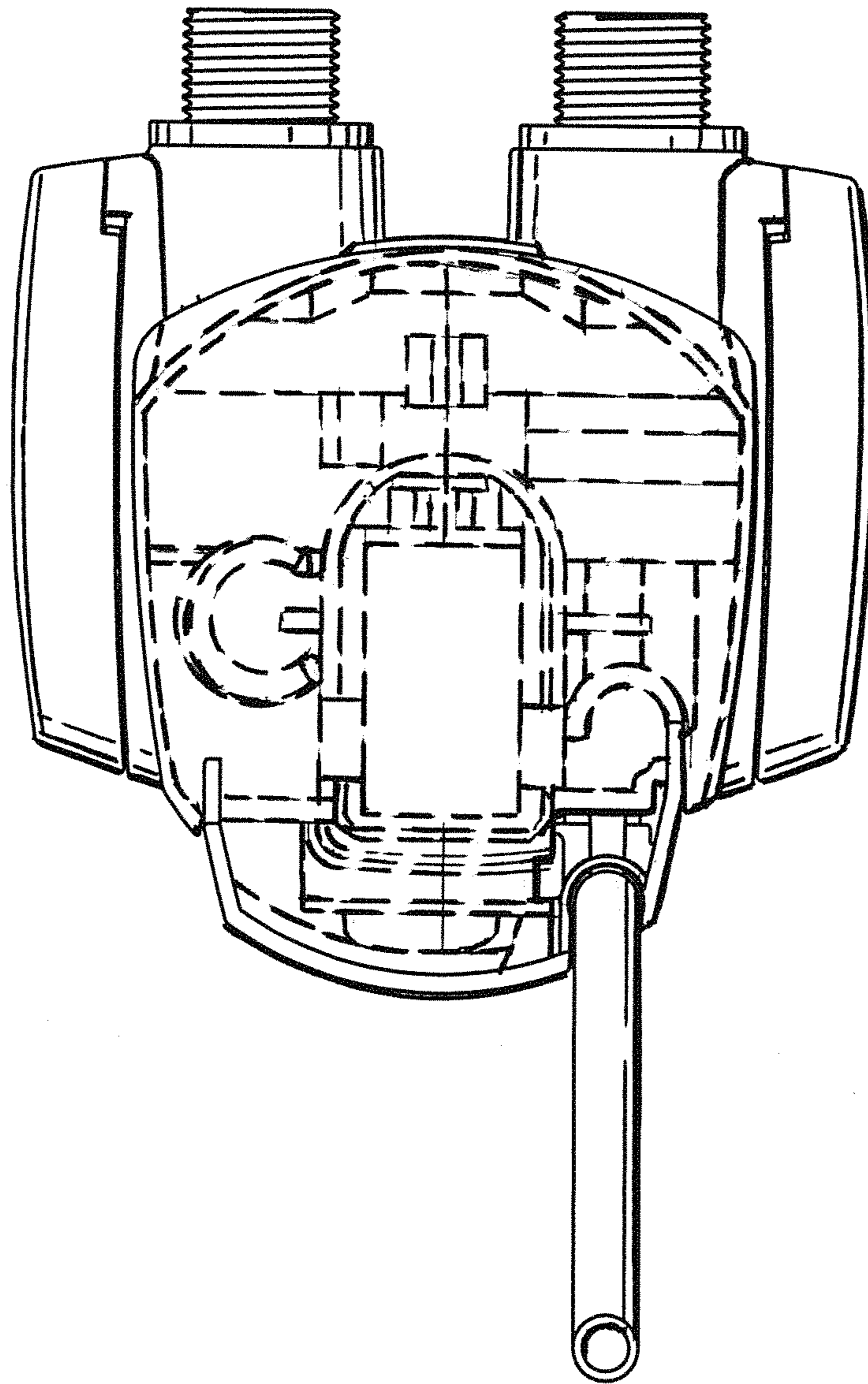


FIG. 2

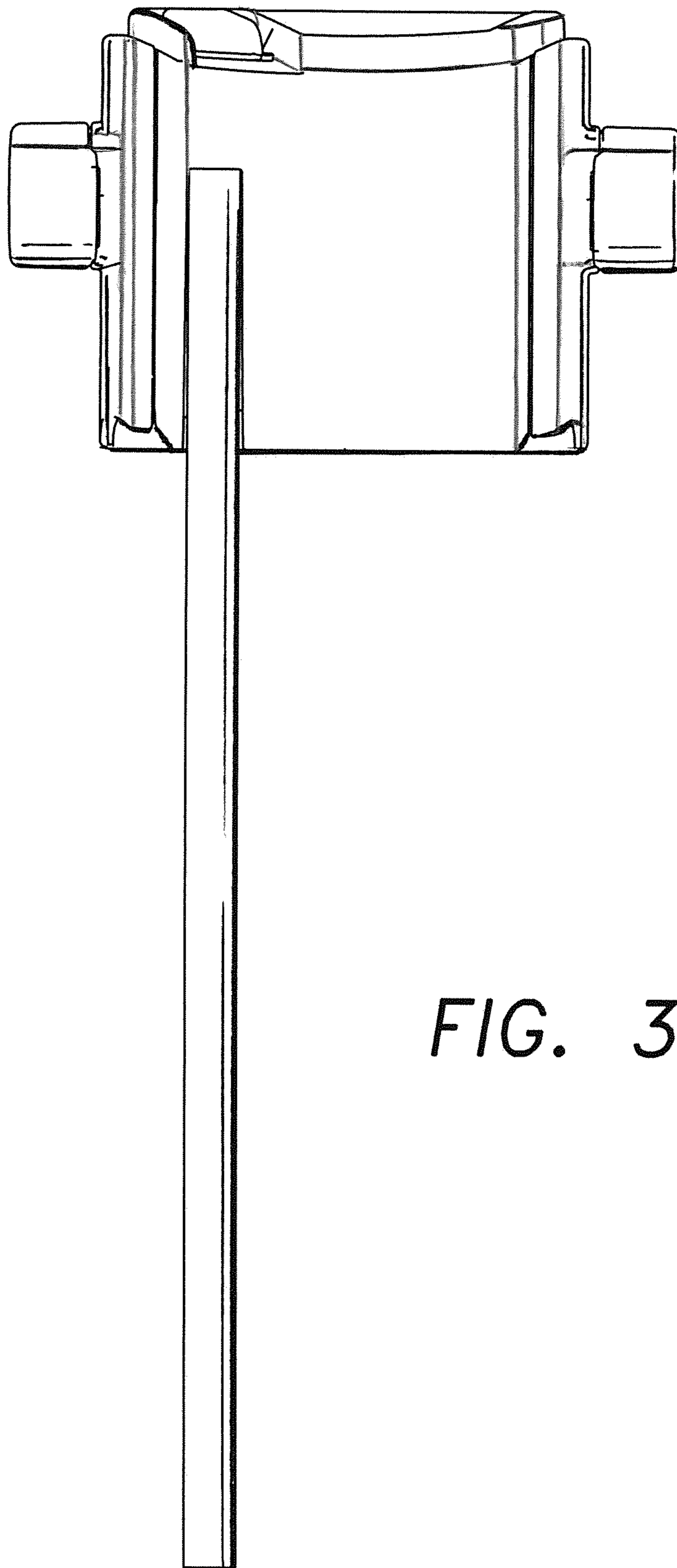


FIG. 3

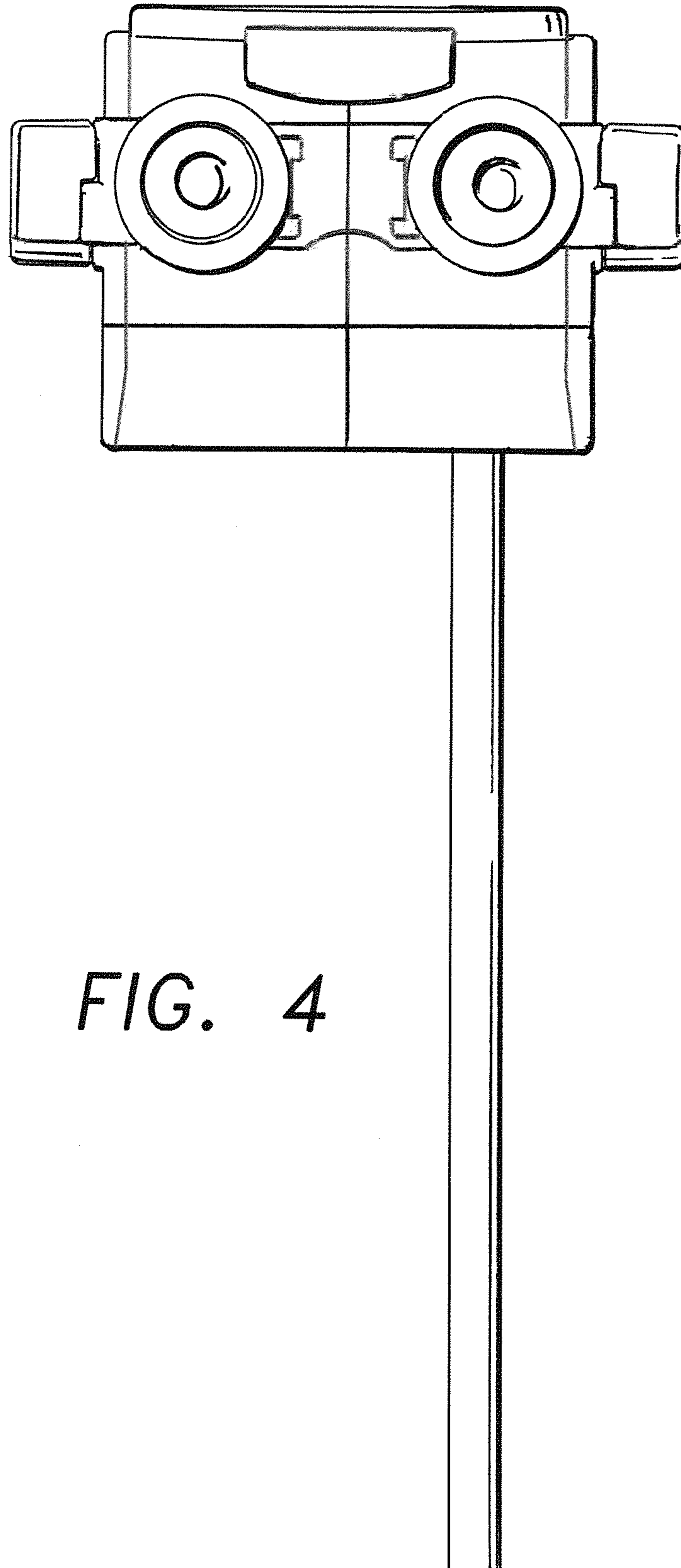


FIG. 4

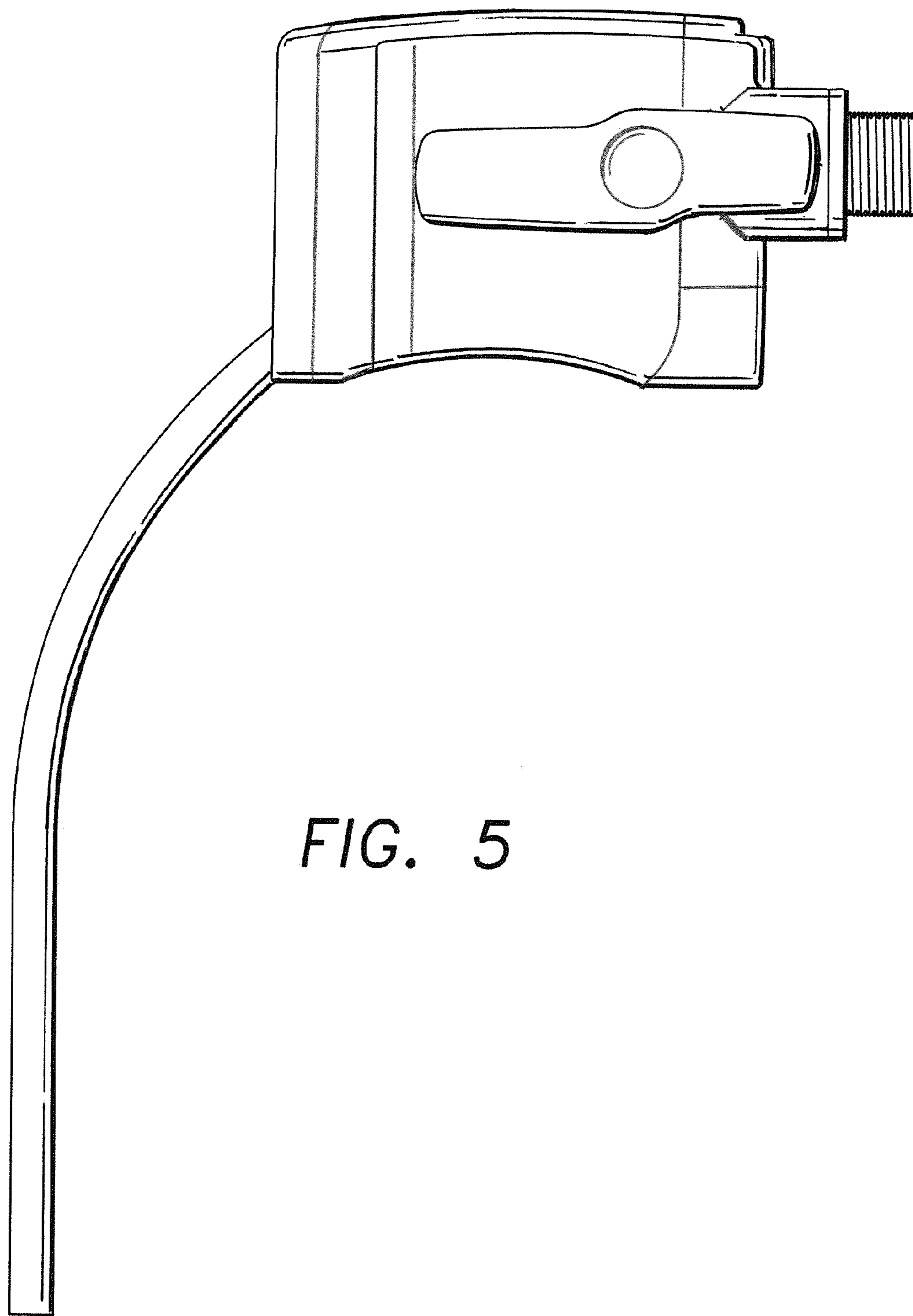


FIG. 5

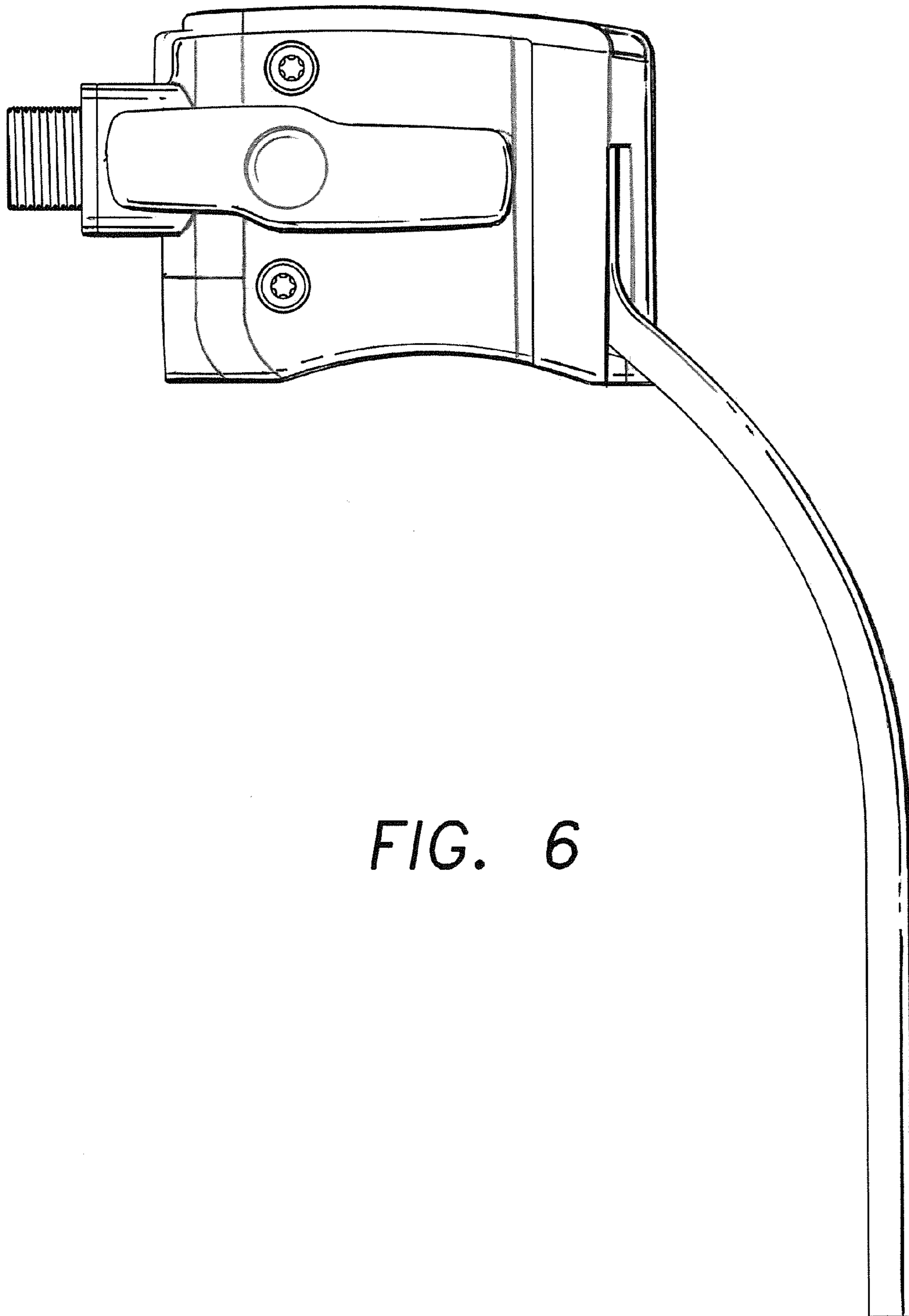


FIG. 6

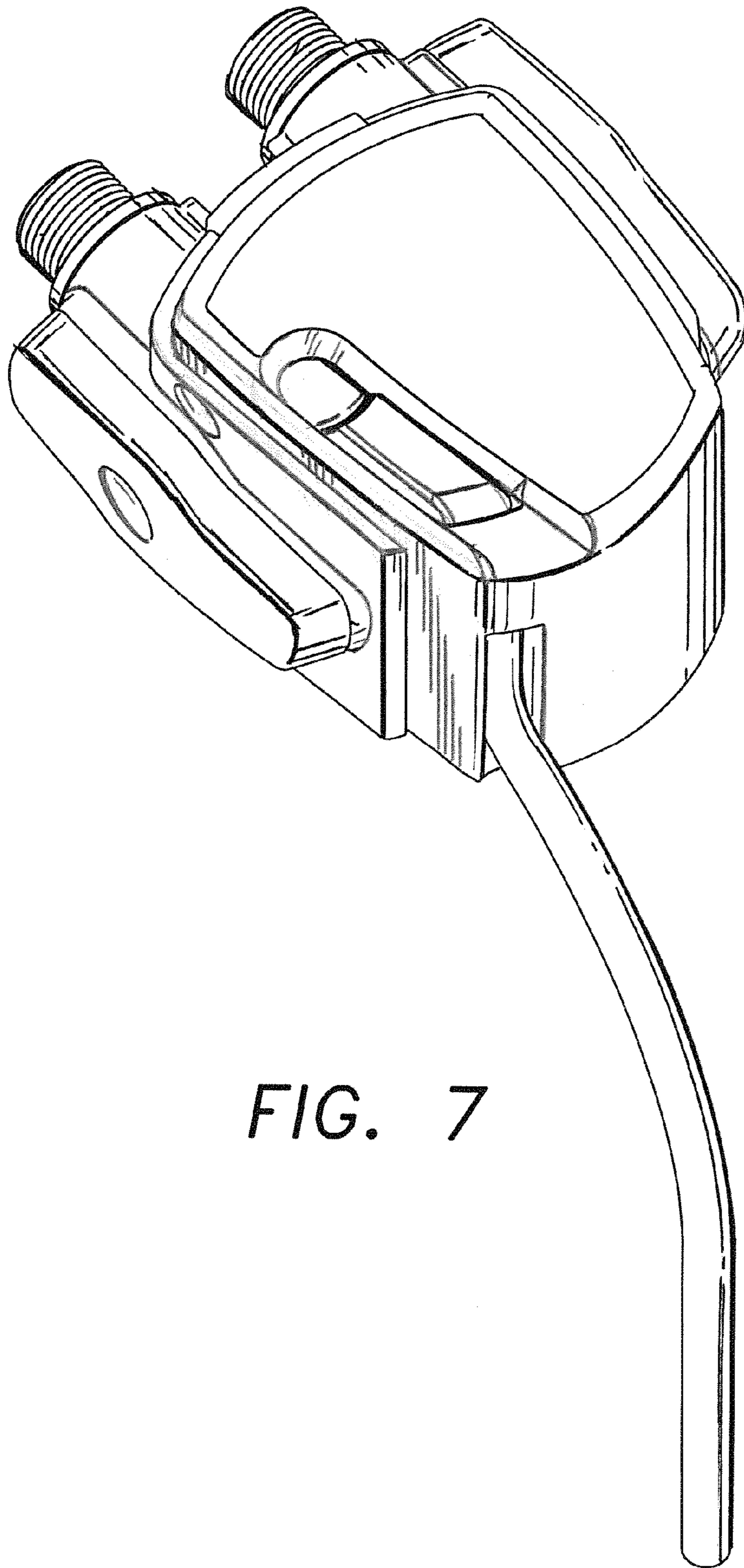


FIG. 7