



US00D728732S

(12) **United States Design Patent**
Higgins

(10) **Patent No.:** **US D728,732 S**

(45) **Date of Patent:** **** May 5, 2015**

(54) **POLY IBC TANK**

D666,691 S * 9/2012 Higgins D23/202
8,408,413 B2 * 4/2013 Przytulla 220/23.91
8,490,826 B2 * 7/2013 Schutz 220/647

(71) Applicant: **Custom Metalcraft, Inc.**, Springfield,
MO (US)

* cited by examiner

(72) Inventor: **Scott Higgins**, Ozark, MO (US)

Primary Examiner — Robin V Webster

(73) Assignee: **Custom Metalcraft, Inc.**, Springfield,
MO (US)

(74) *Attorney, Agent, or Firm* — Hovey Williams LLP

(**) Term: **14 Years**

(57) **CLAIM**

The ornamental design for a poly IBC tank, as shown and described.

(21) Appl. No.: **29/481,882**

(22) Filed: **Feb. 11, 2014**

DESCRIPTION

(51) **LOC (10) Cl.** **23-01**

(52) **U.S. Cl.**

USPC **D23/202**

(58) **Field of Classification Search**

USPC D23/202-205; 220/581, 586, 0.5, 4.12,
220/4.13, 562, 565, 567, 567.1, 567.2;
206/386

See application file for complete search history.

FIG. 1 is an upper front perspective of a poly IBC tank embodying my design, with a pallet being shown in broken lines for illustrative purposes only and forming no part of the claimed design;

FIG. 2 is a lower perspective of the poly IBC tank shown in FIG. 1;

FIG. 3 is a front elevation of the poly IBC tank shown in FIGS. 1 and 2;

FIG. 4 is a right side elevation of the poly IBC tank shown in FIGS. 1-3, with the opposite side elevation being a mirror image thereof;

FIG. 5 is a rear elevation of the poly IBC tank shown in FIGS. 1-4;

FIG. 6 is a top view of the poly IBC tank shown in FIGS. 1-5; and,

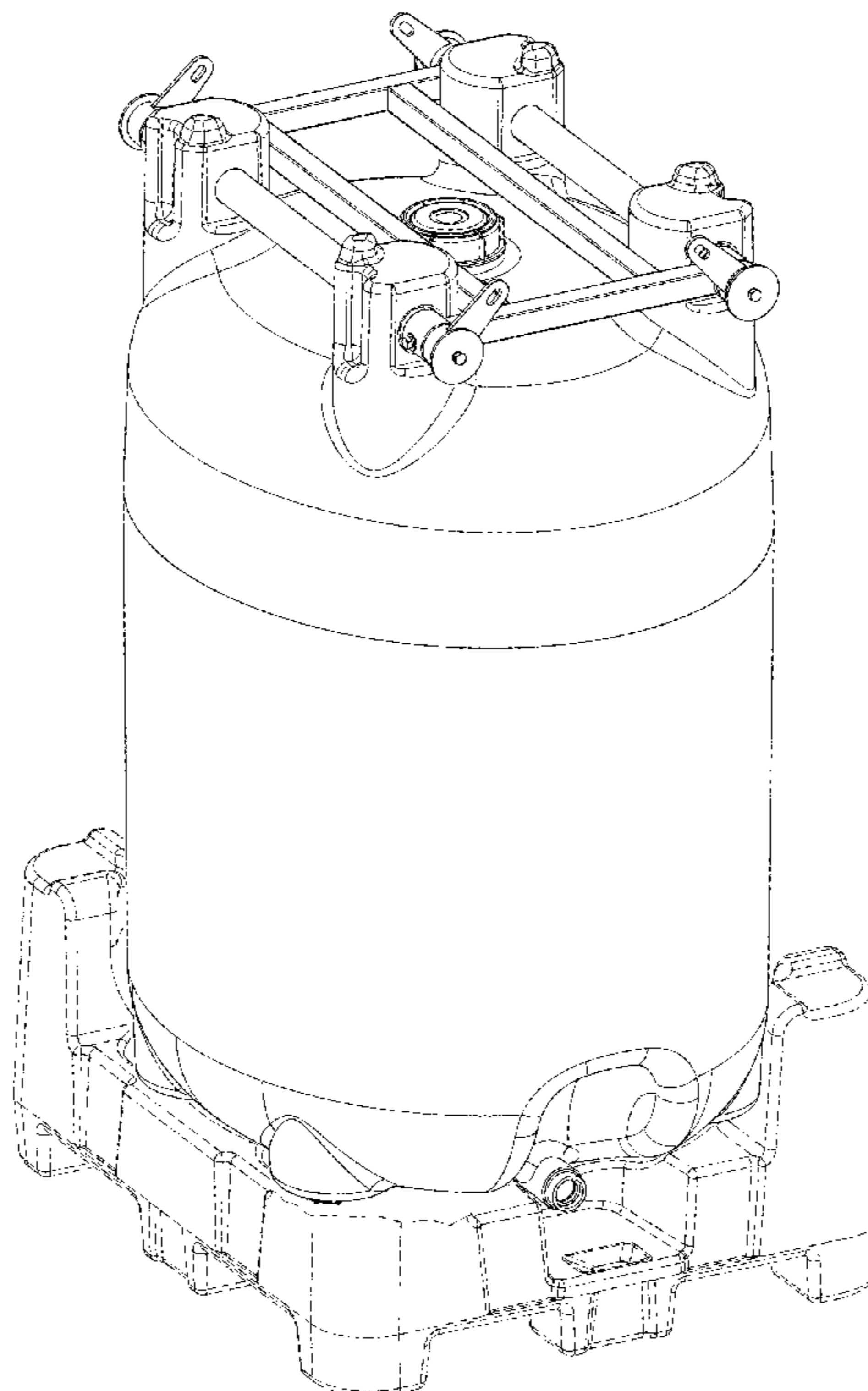
FIG. 7 is a bottom view of the poly IBC tank shown in FIGS. 1-6.

(56) **References Cited**

U.S. PATENT DOCUMENTS

D216,590	S	*	2/1970	Coleman	D23/202
4,421,253	A	*	12/1983	Croley	222/105
D305,353	S	*	1/1990	Thomas	D23/202
D418,196	S	*	12/1999	Faltys et al.	D23/202
D550,325	S	*	9/2007	Claussen et al.	D23/202
D627,034	S	*	11/2010	Perdue et al.	D23/202
D627,426	S	*	11/2010	Perdue et al.	D23/202
D658,267	S	*	4/2012	Brockington et al.	D23/206

1 Claim, 6 Drawing Sheets



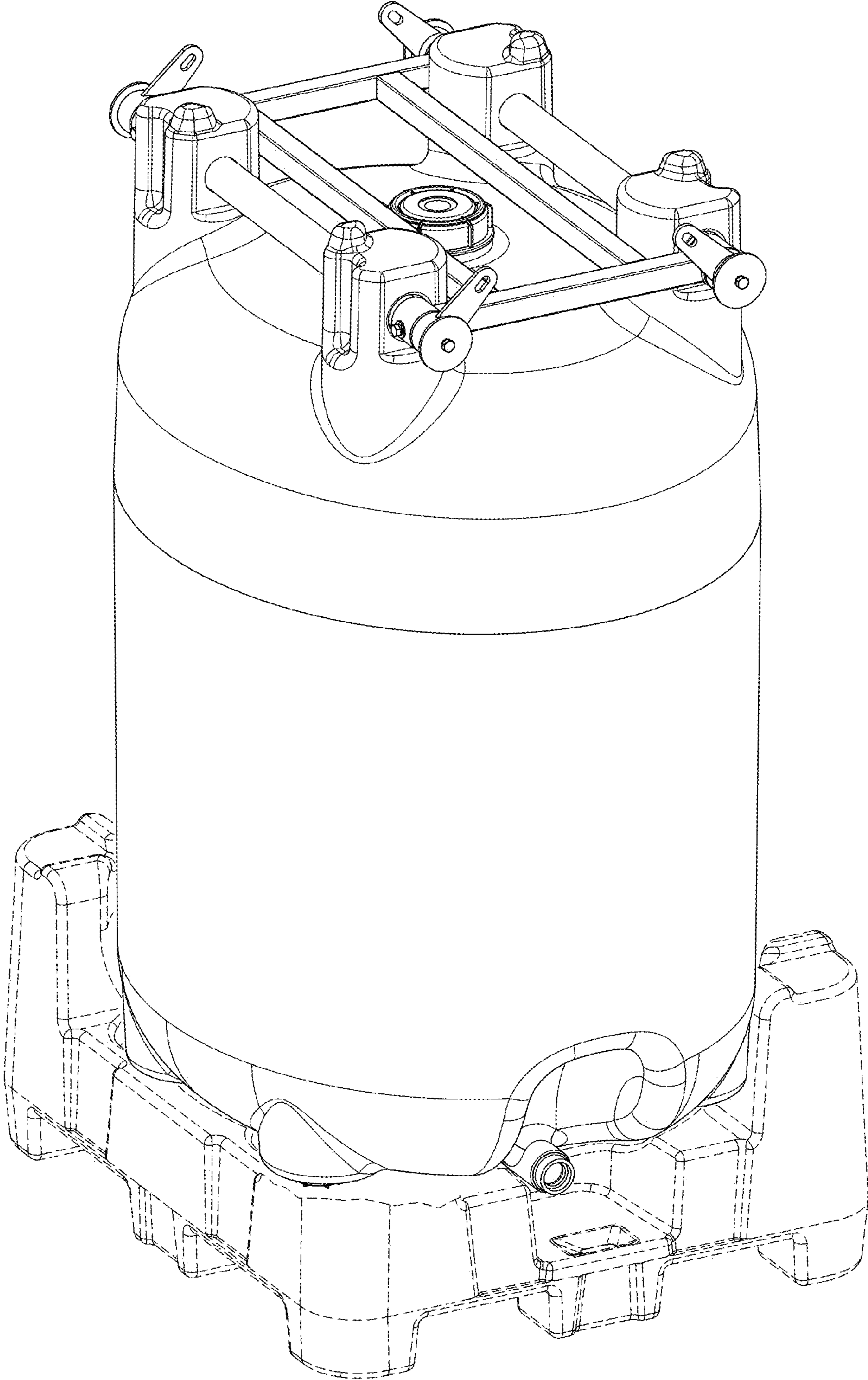


Fig. 1.

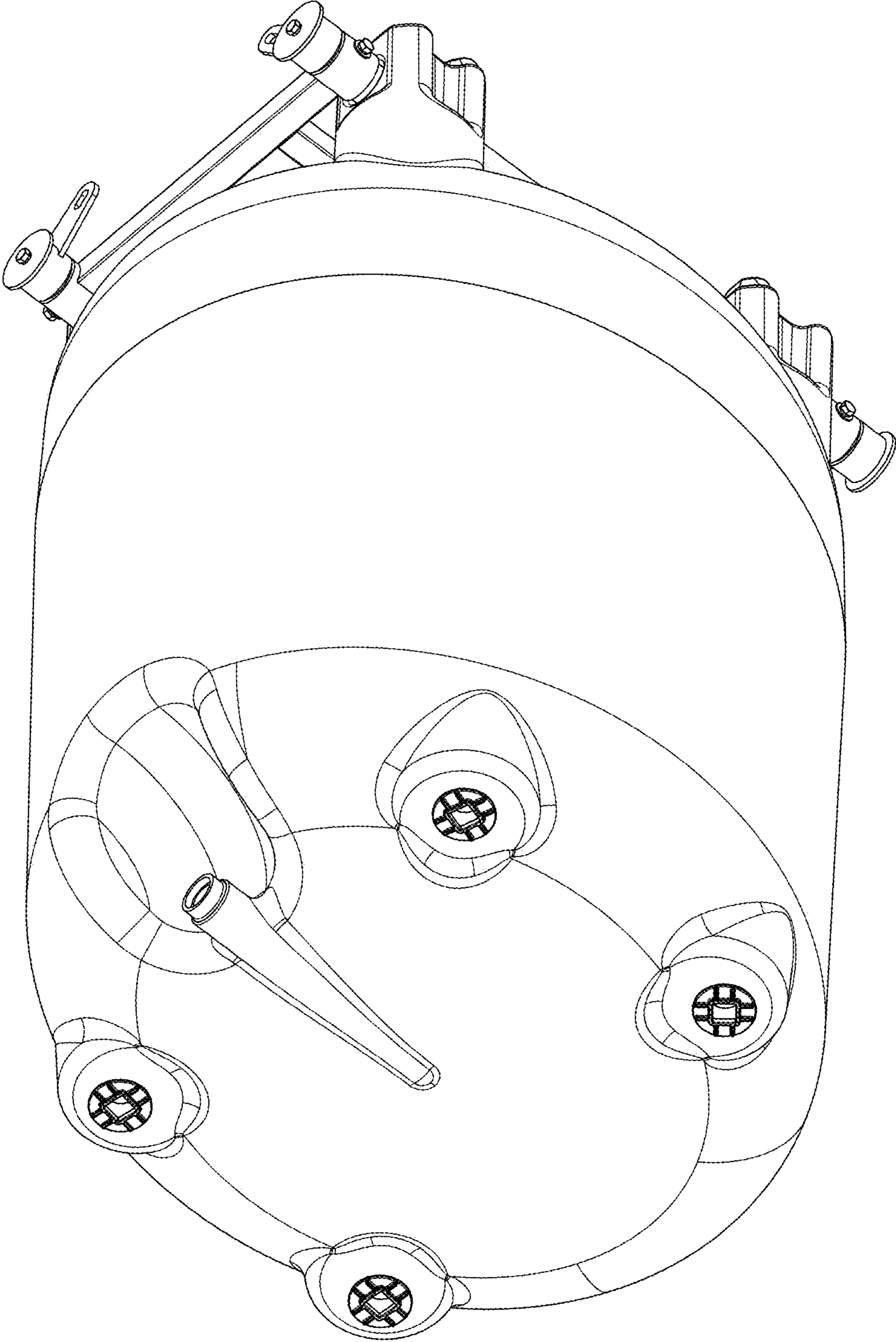


Fig. 2.

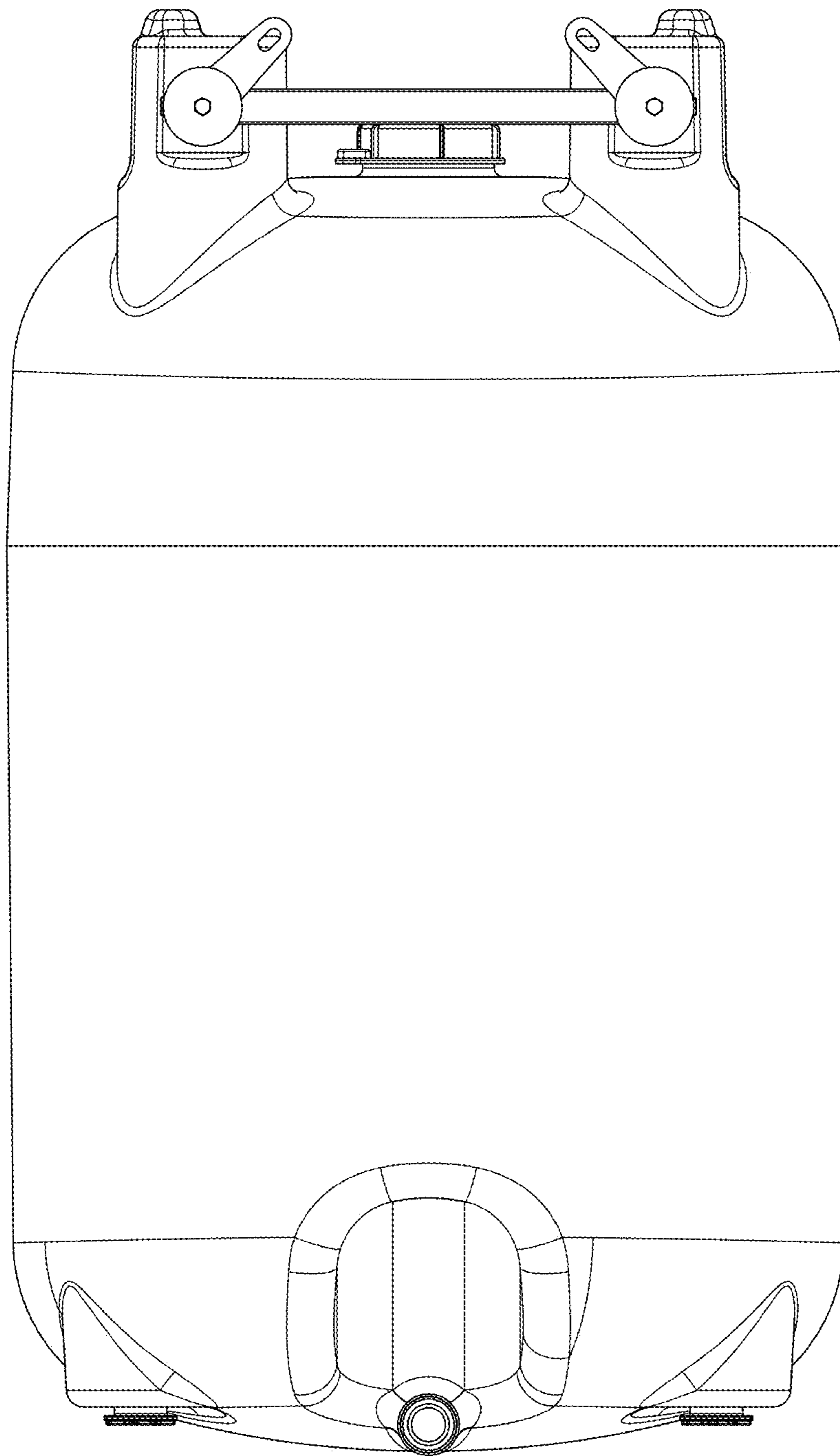


Fig. 3.

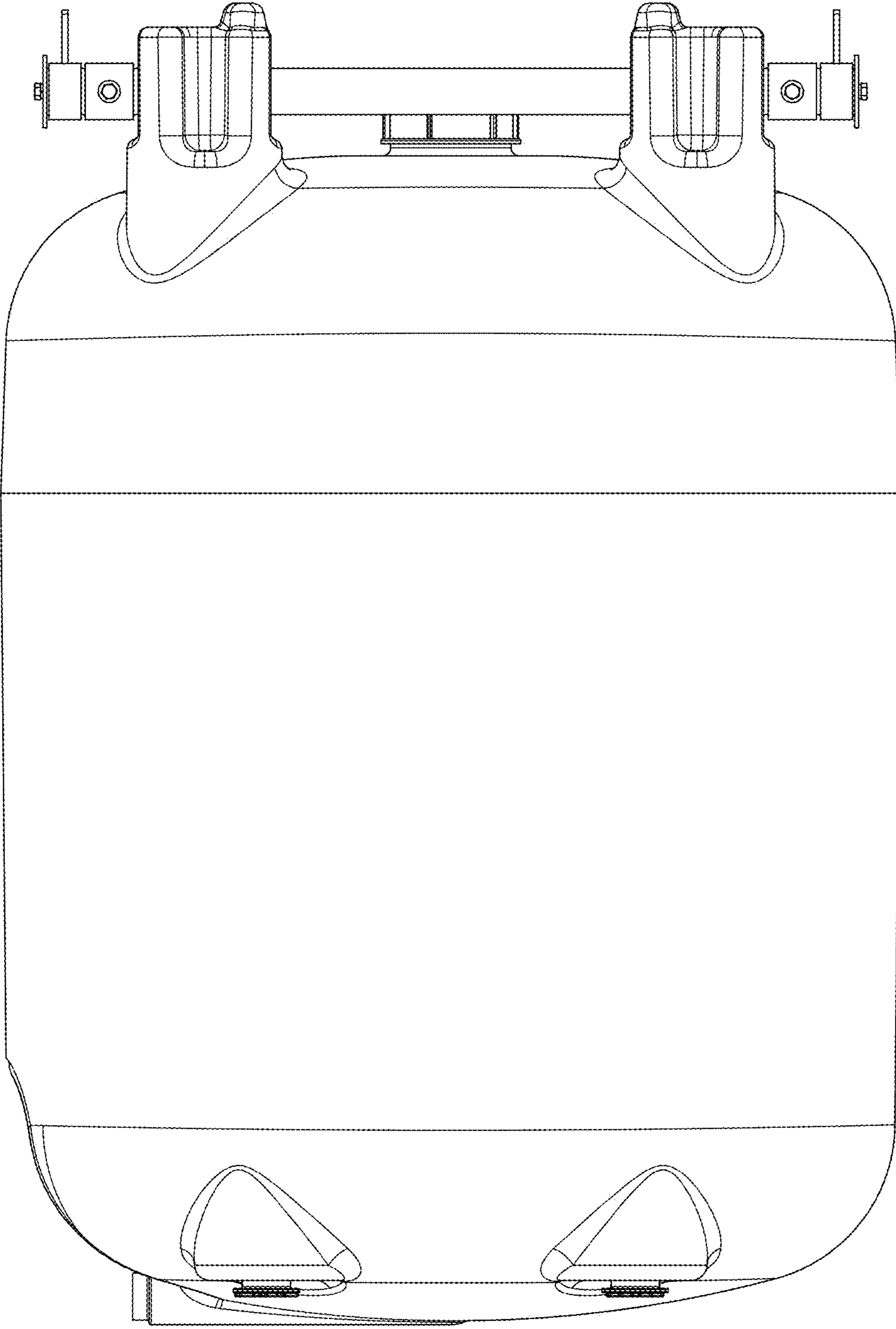


Fig. 4.

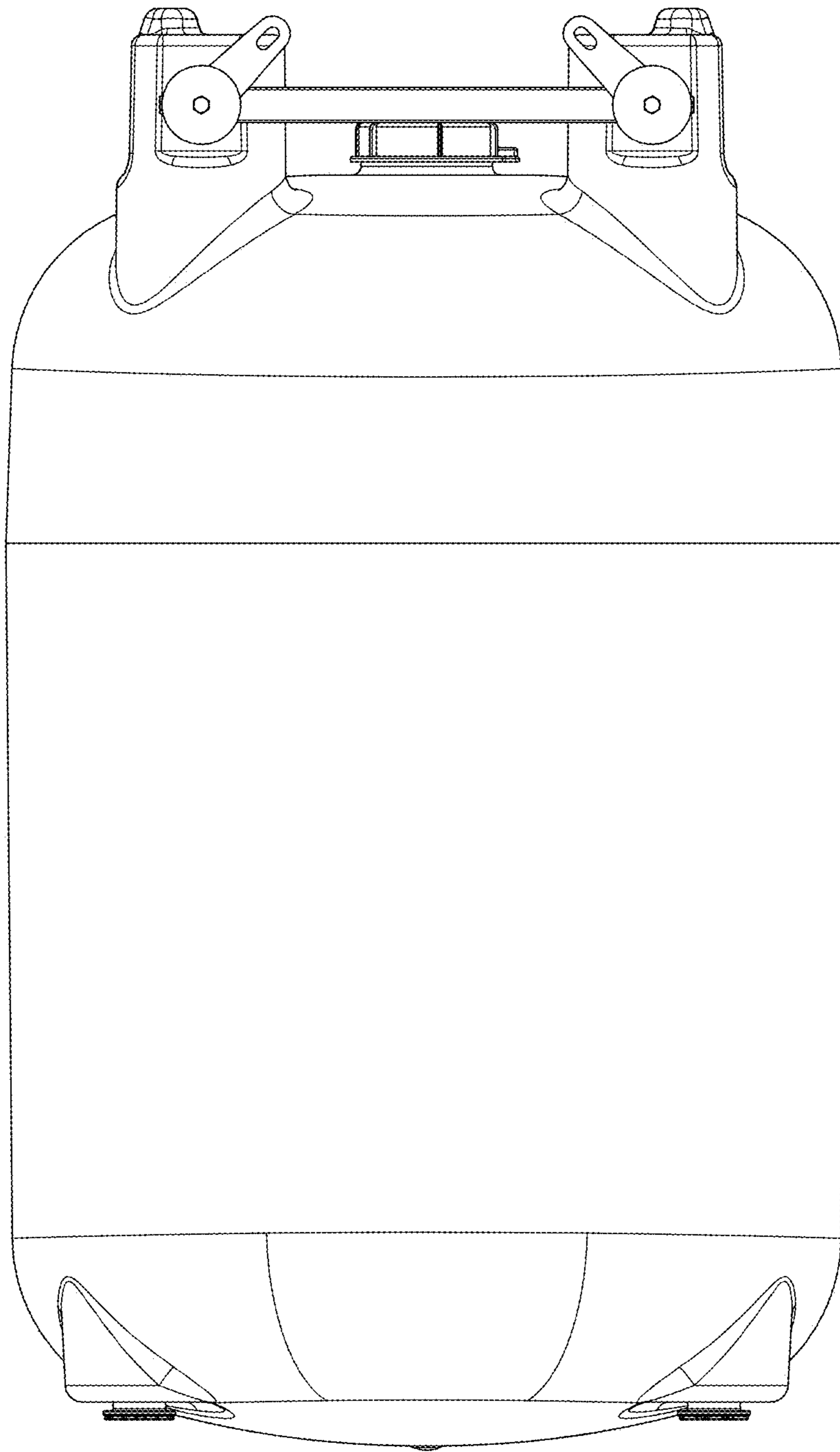


Fig. 5.

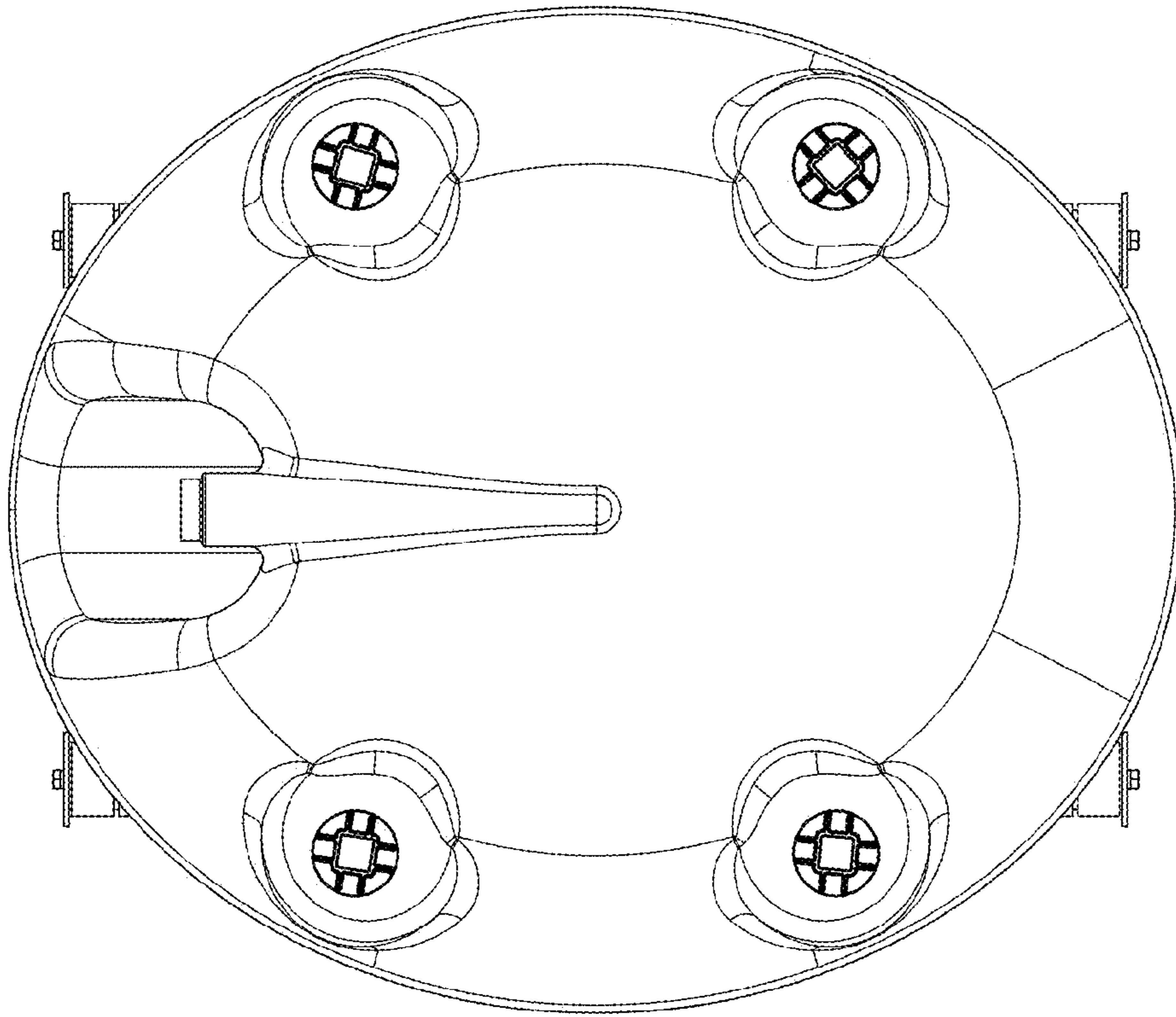


Fig. 7.

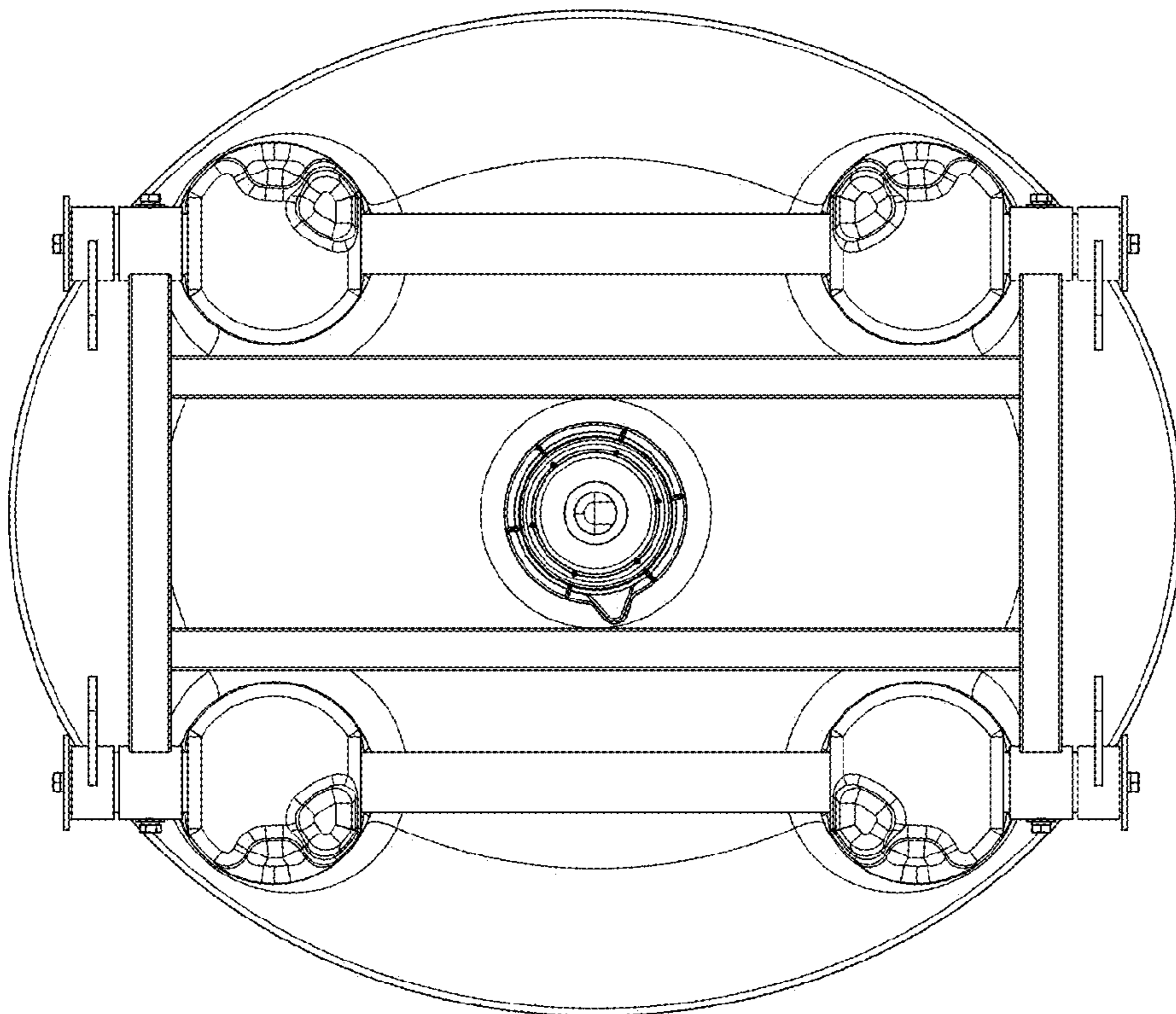


Fig. 6.