



US00D728731S

(12) **United States Design Patent**
Ellis

(10) **Patent No.:** **US D728,731 S**

(45) **Date of Patent:** **** May 5, 2015**

(54) **VERTICAL TANK**

(71) Applicant: **Vertical Tank, Inc.**, Bakersfield, CA
(US)

(72) Inventor: **Stanley Ellis**, Bakersfield, CA (US)

(73) Assignee: **Vertical Tank, Inc.**

(**) Term: **14 Years**

(21) Appl. No.: **29/470,650**

(22) Filed: **Oct. 23, 2013**

(51) **LOC (10) CI.** **23-01**

(52) **U.S. Cl.**
USPC **D23/202**

(58) **Field of Classification Search**
USPC D23/202-205; 220/581, 586, 0.5, 4.12,
220/4.13, 562, 565, 567, 567.1, 567.2;
206/386

See application file for complete search history.

(56) **References Cited**

U.S. PATENT DOCUMENTS

1,232,929 A * 7/1917 Keller 220/565
D89,869 S * 5/1933 Boardman D23/205

D278,457 S * 4/1985 Schroder et al. D23/205
D320,055 S * 9/1991 Parker et al. D23/202
D353,436 S * 12/1994 Hess D23/202
D688,772 S * 8/2013 Oren et al. D23/202

* cited by examiner

Primary Examiner — Robin V Webster

(74) *Attorney, Agent, or Firm* — Matthew C. McCartney,
Esq.; Eastman & McCartney LLP

(57) **CLAIM**

The ornamental design for a vertical tank, as shown and described.

DESCRIPTION

FIG. 1 is a top perspective view of the vertical tank showing my new design;

FIG. 2 is a front view of the vertical tank;

FIG. 3 is a back view of the vertical tank;

FIG. 4 is a right side view of the vertical tank;

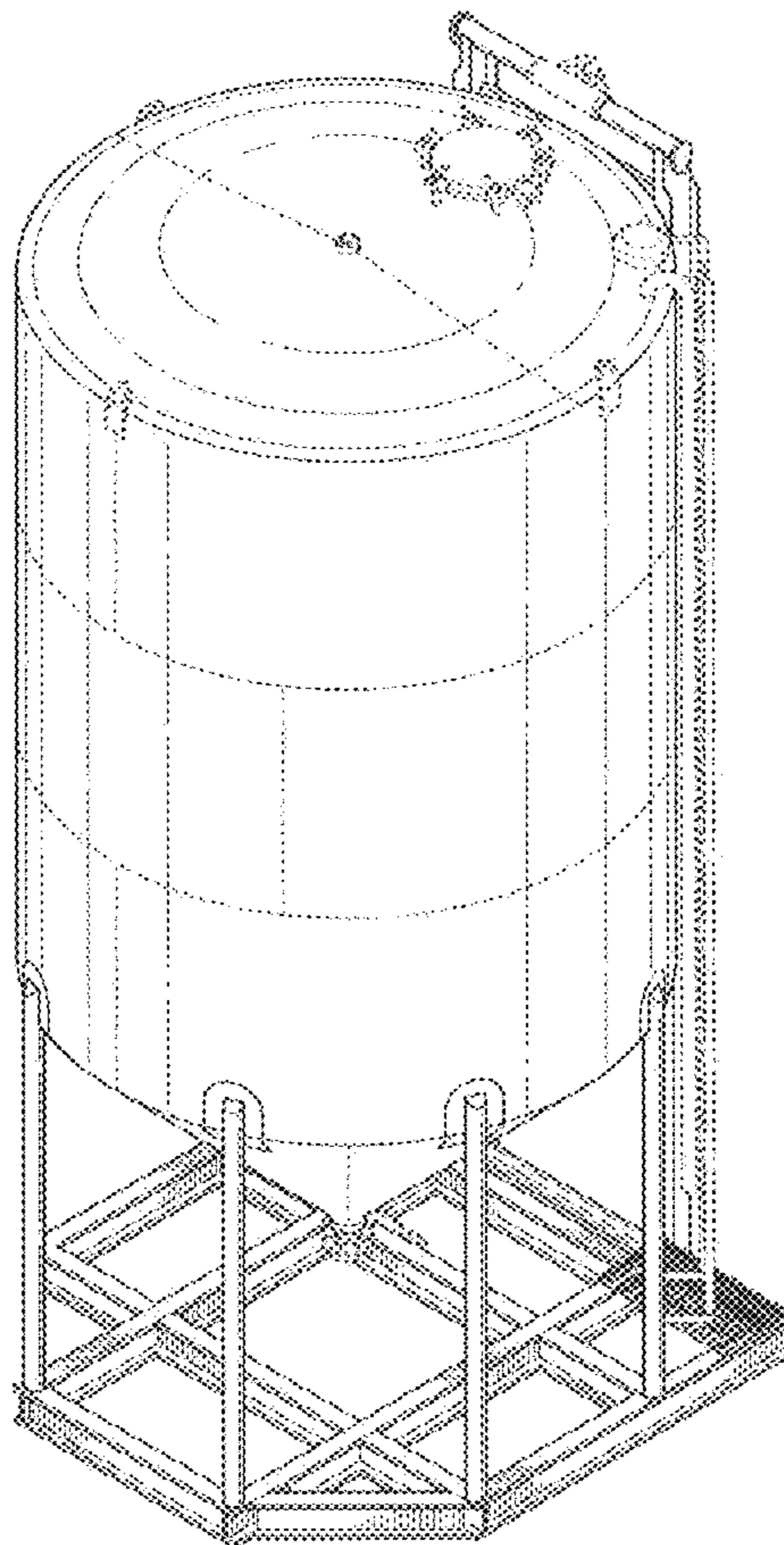
FIG. 5 is a left side view of the vertical tank;

FIG. 6 is a top view of the vertical tank; and,

FIG. 7 is a bottom view of the vertical tank.

The broken line showing is included for the purpose of illustrating and forms no part of the claimed design.

1 Claim, 6 Drawing Sheets



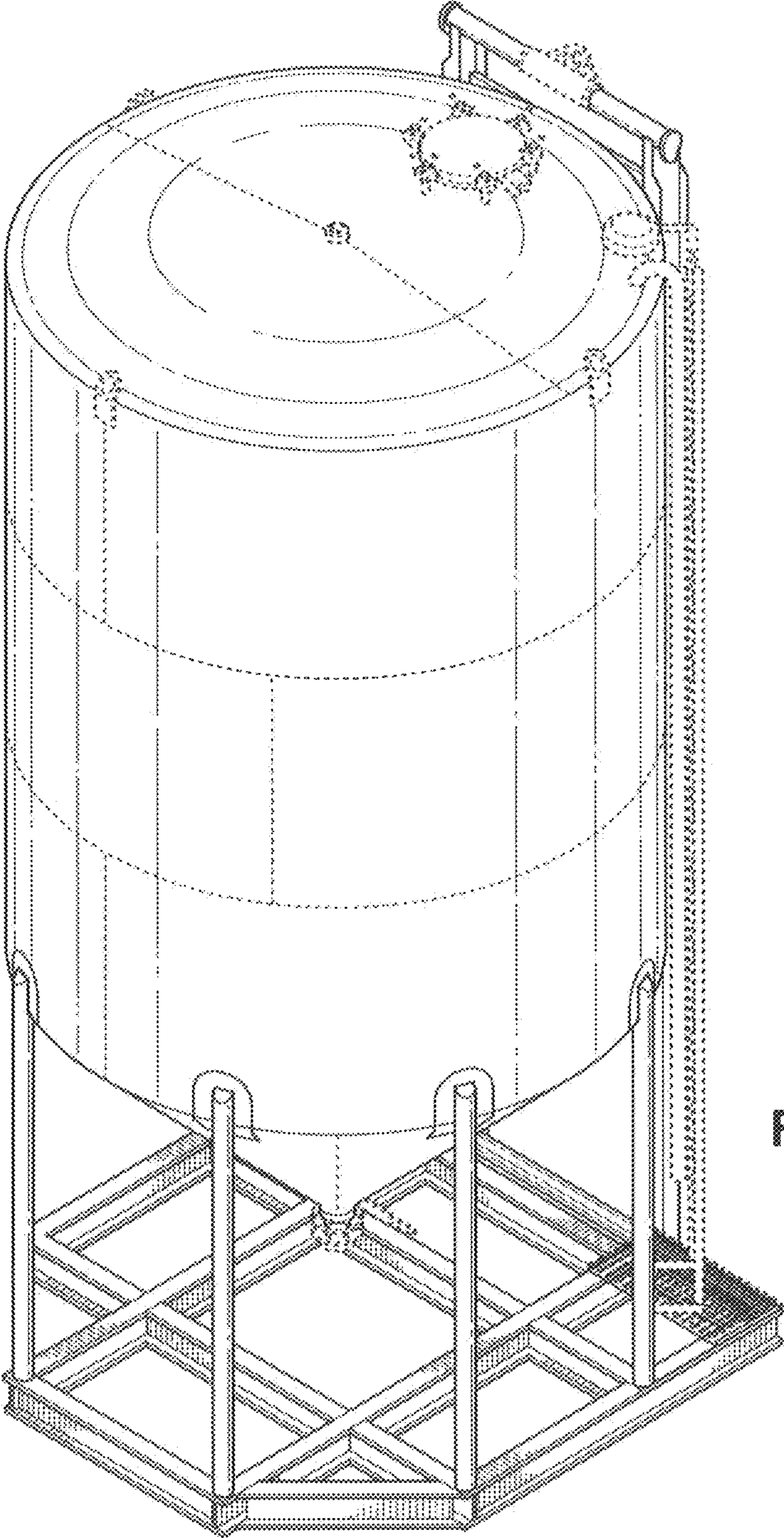


FIG. 1

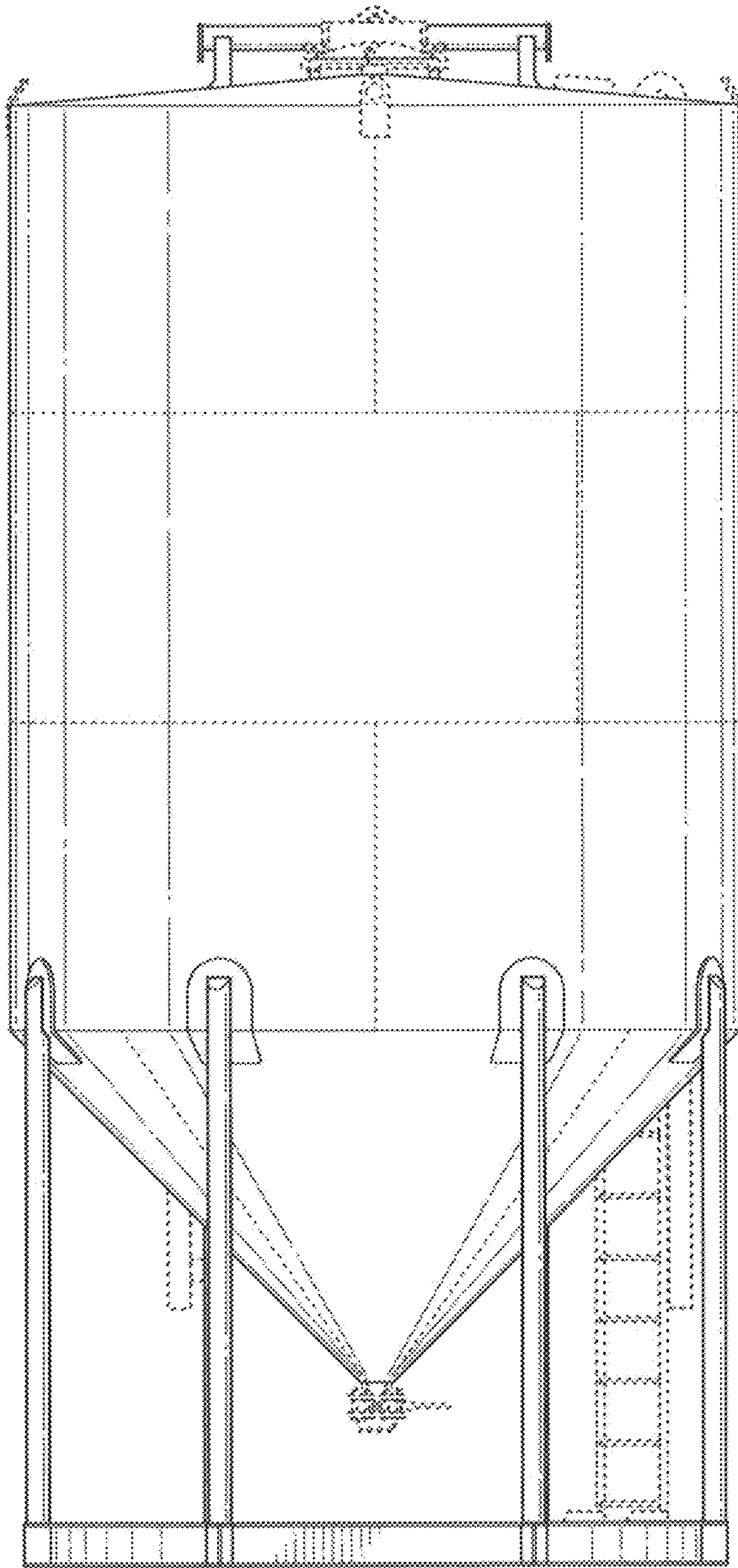


FIG. 2

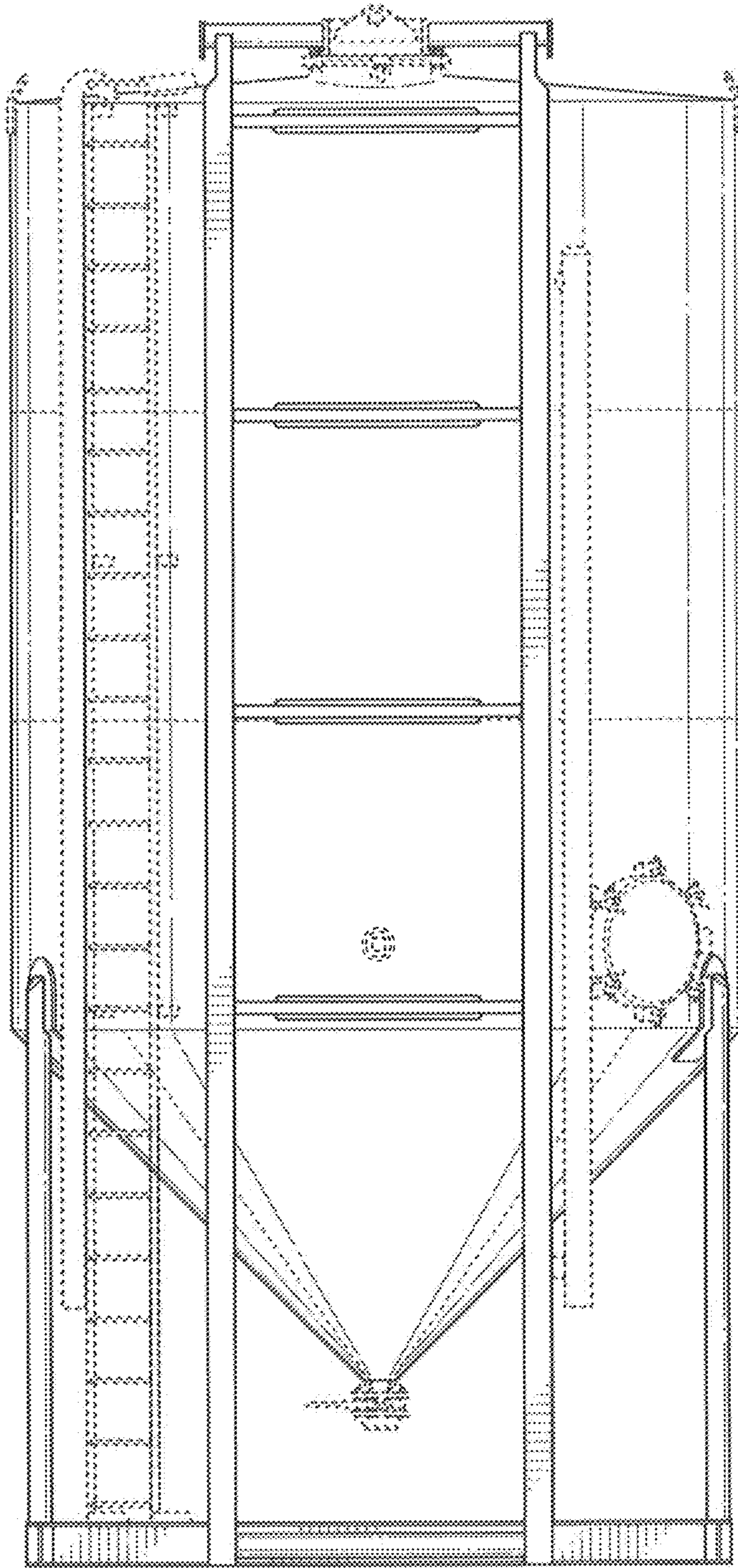


FIG. 3

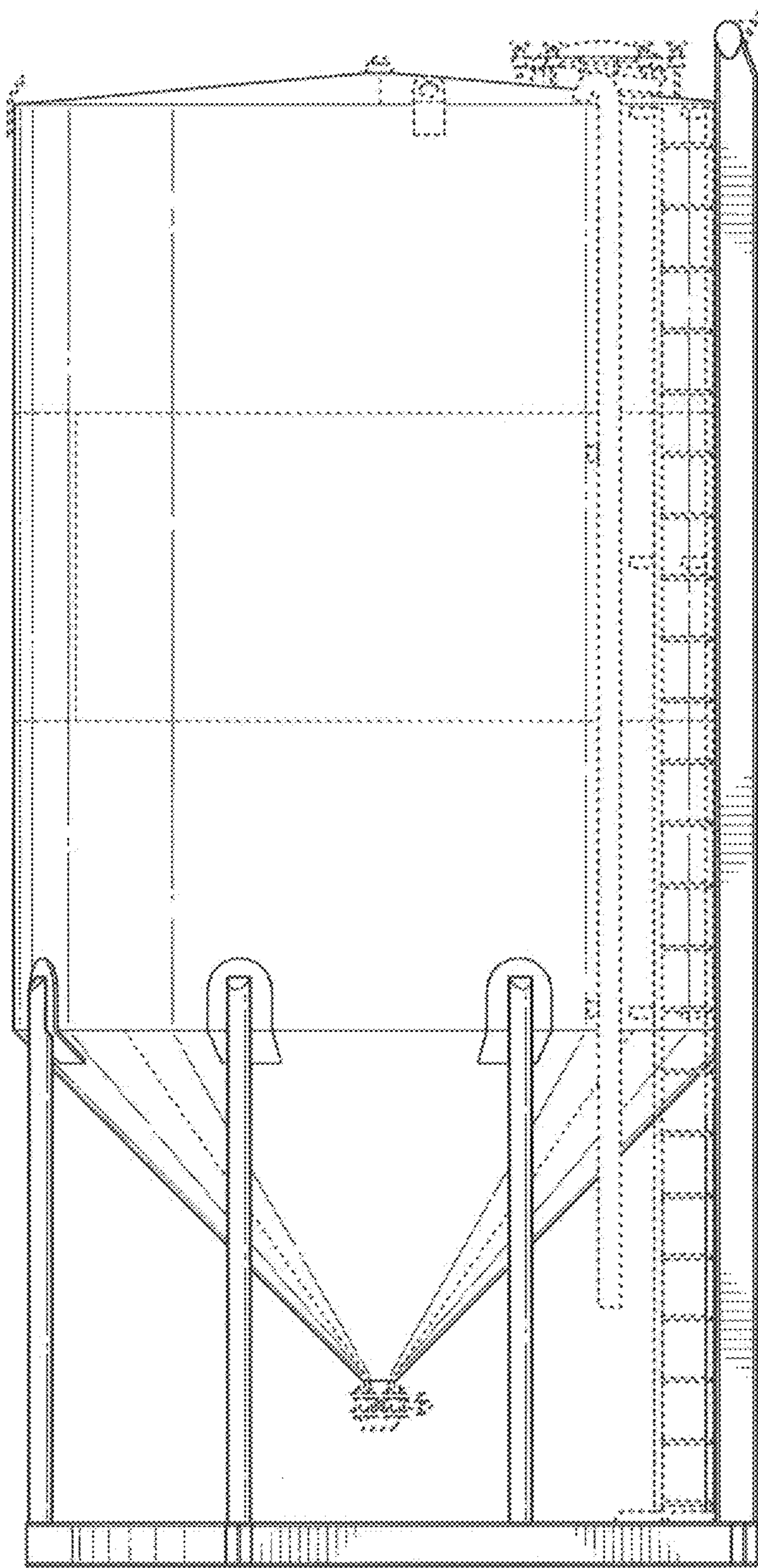


FIG. 4

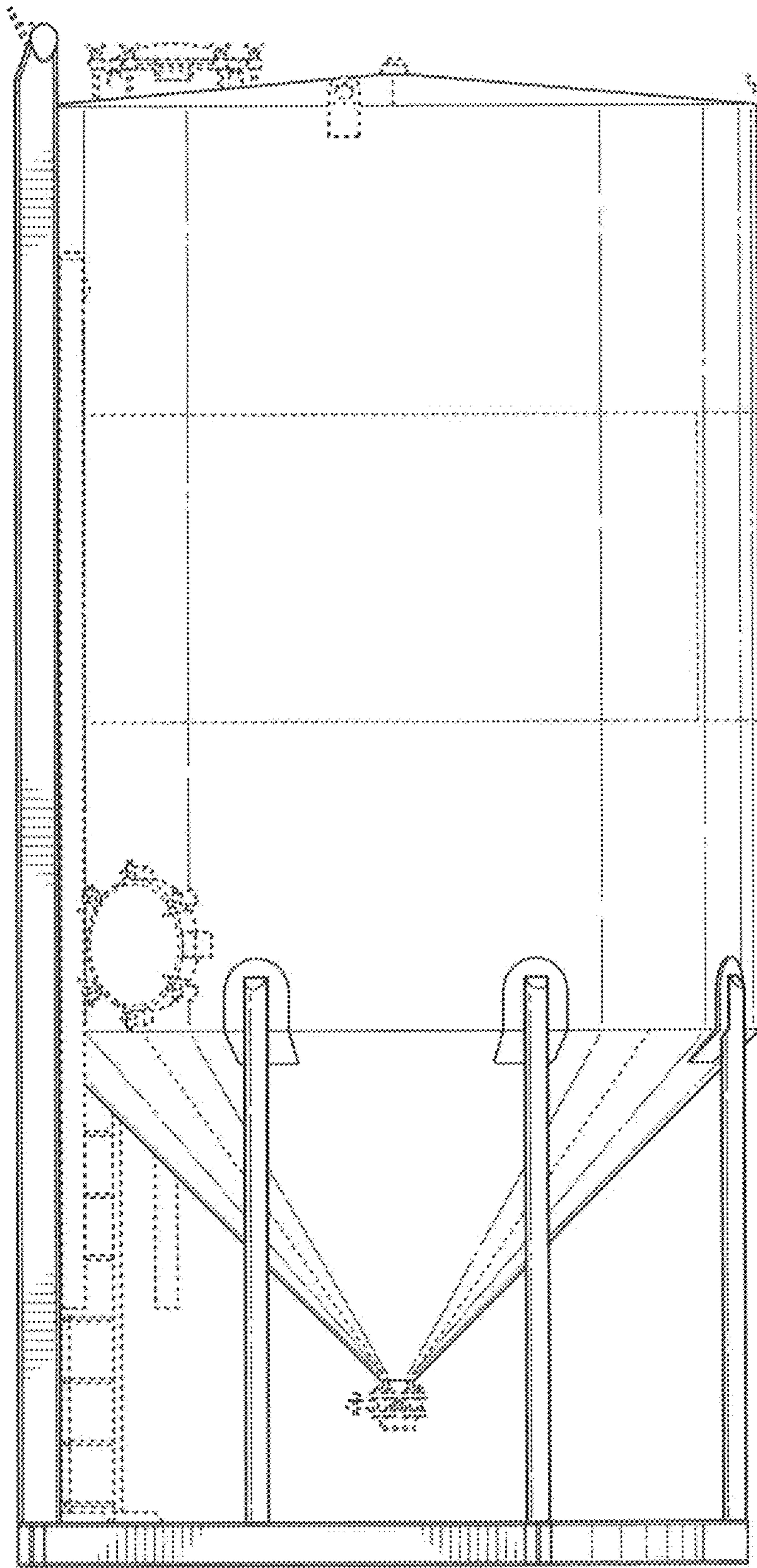


FIG. 5

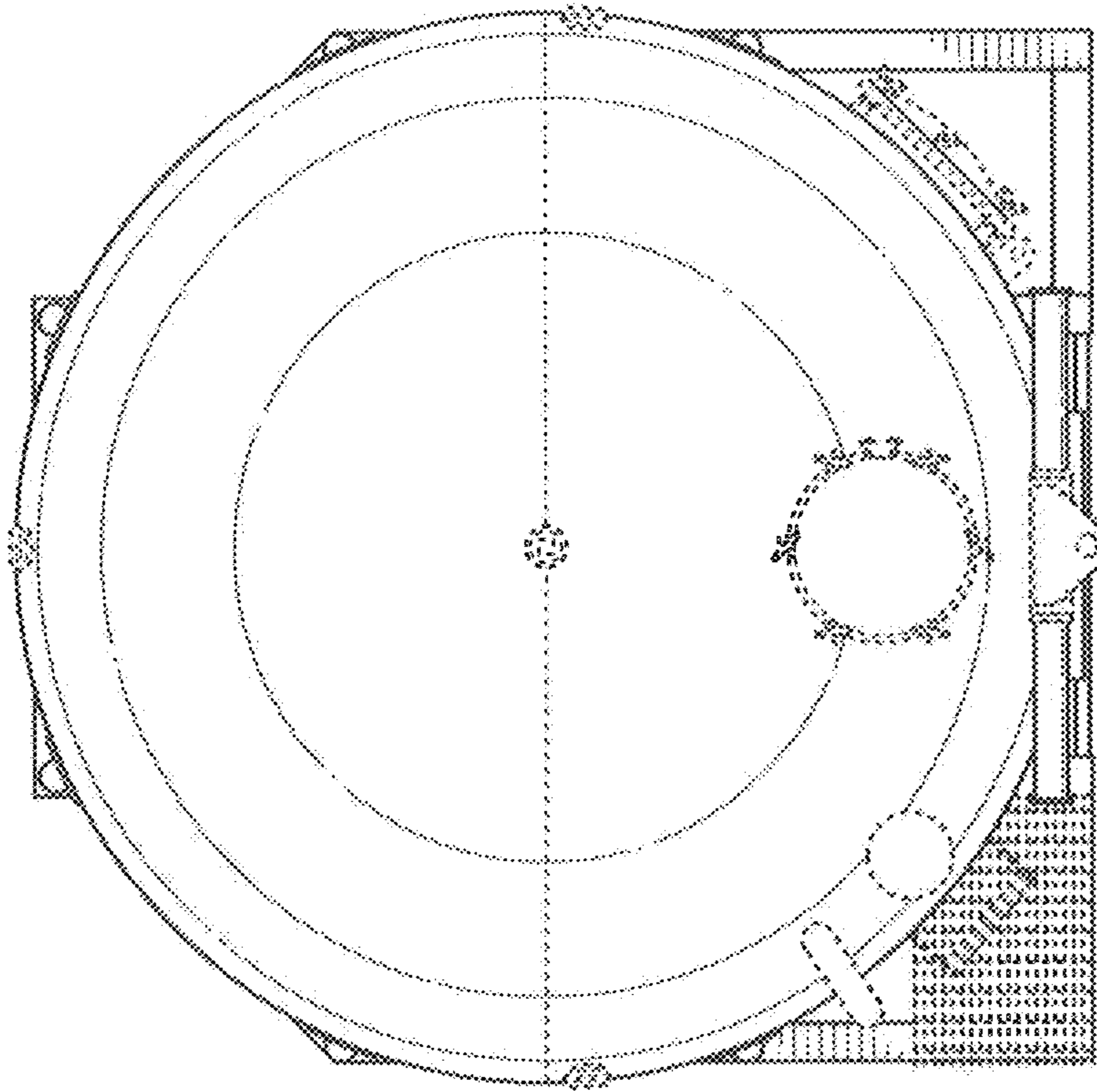


FIG. 6

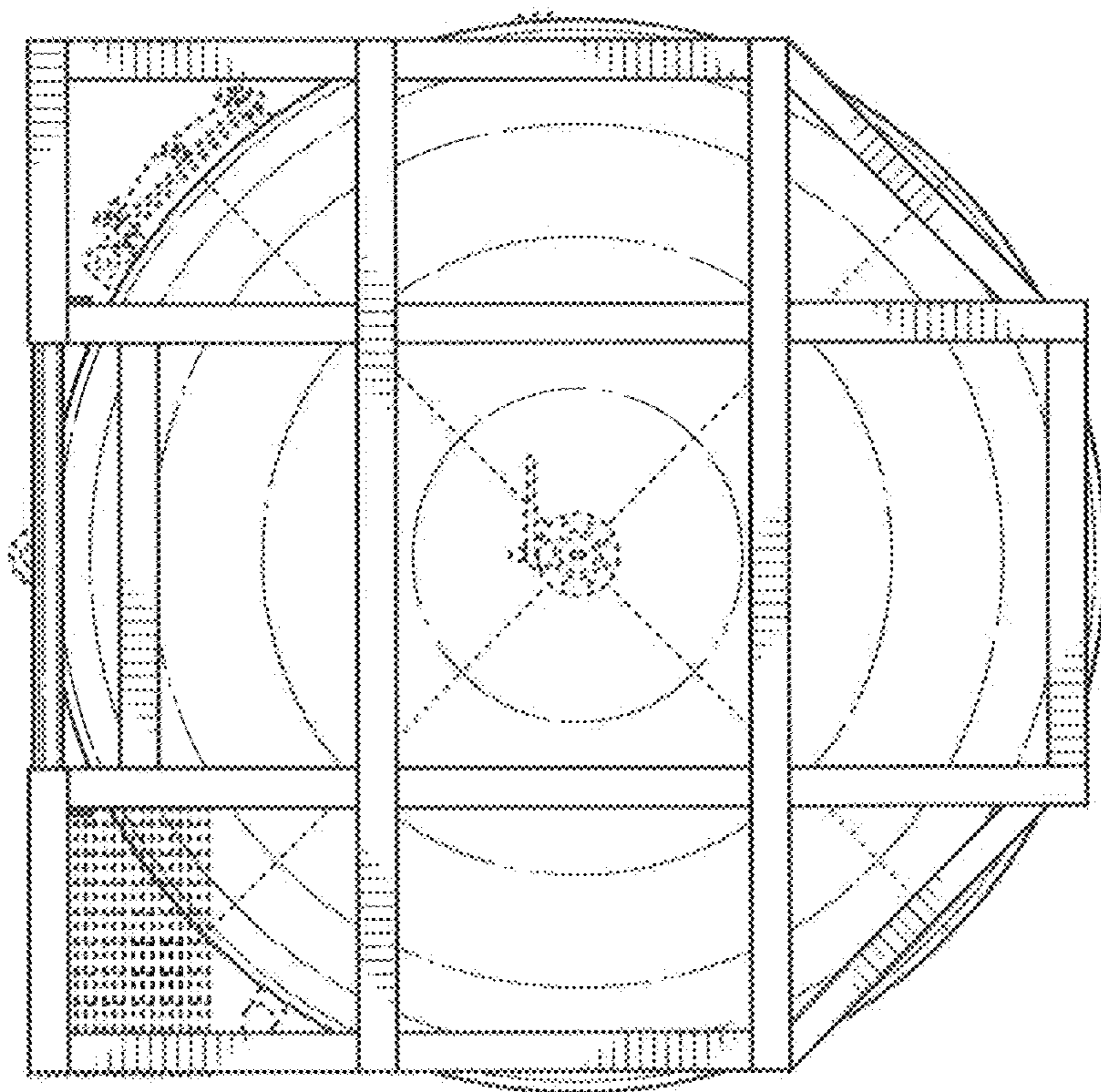


FIG. 7