



US00D728730S

(12) **United States Design Patent**
Neeley, Jr.

(10) **Patent No.:** **US D728,730 S**

(45) **Date of Patent:** **** May 5, 2015**

(54) **FISHING ROD ANCHOR**

(71) Applicant: **David A. Neeley, Jr.**, Canton, GA (US)

(72) Inventor: **David A. Neeley, Jr.**, Canton, GA (US)

(**) Term: **14 Years**

(21) Appl. No.: **29/462,842**

(22) Filed: **Aug. 8, 2013**

(51) **LOC (10) Cl.** **22-05**

(52) **U.S. Cl.**
USPC **D22/142**

(58) **Field of Classification Search**
USPC D22/142, 147; 43/18.1, 22-23
See application file for complete search history.

(56) **References Cited**

U.S. PATENT DOCUMENTS

D706,900 S * 6/2014 Neeley, Jr. D22/142

* cited by examiner

Primary Examiner — Catheri Oliver-Garcia

(74) *Attorney, Agent, or Firm* — Withers & Keys, LLC

(57) **CLAIM**

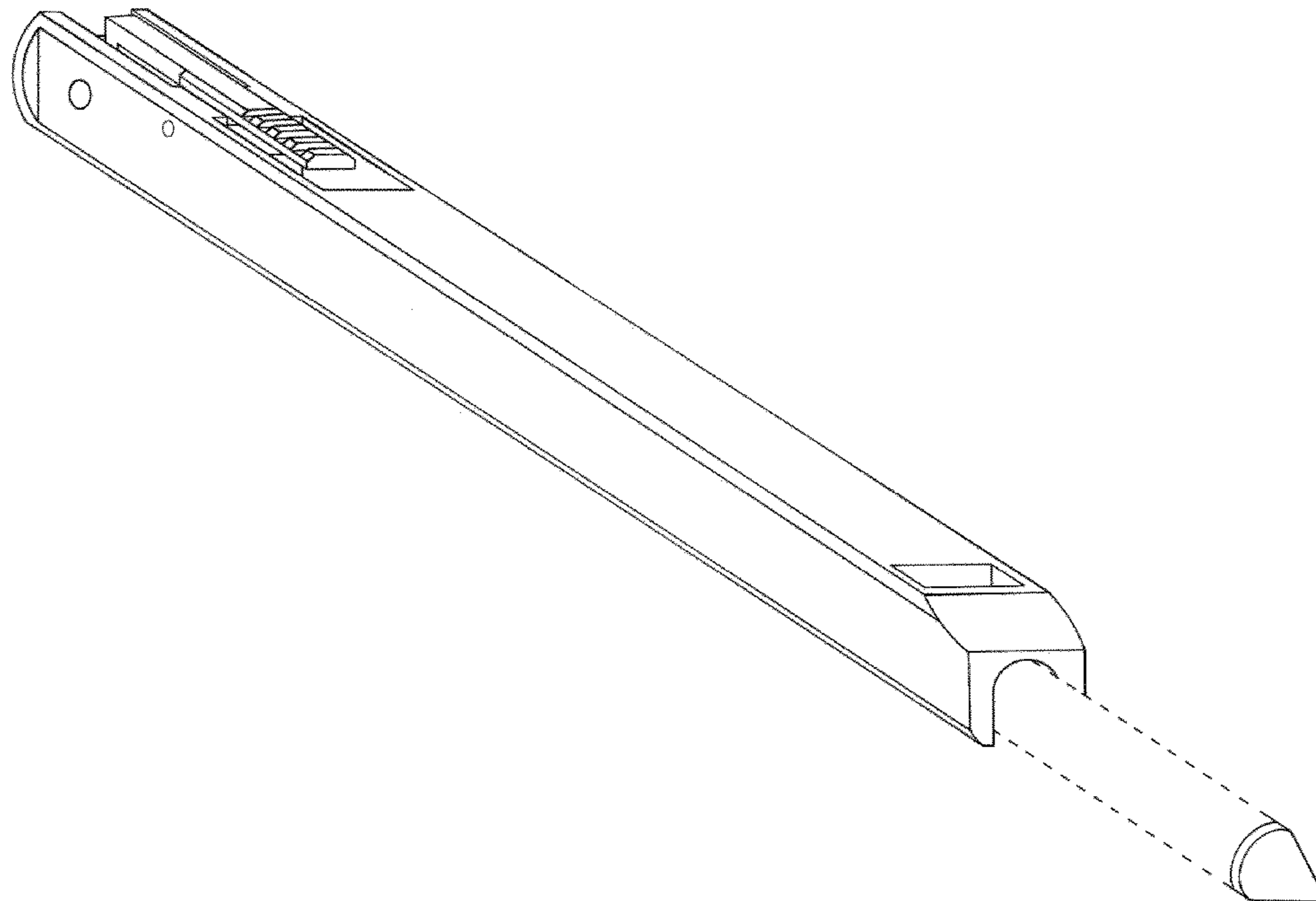
The ornamental design for the fishing rod anchor, as shown and described.

DESCRIPTION

FIG. 1 is a perspective view of the fishing rod anchor showing my new design;

FIG. 2 is a left side view of the fishing rod anchor of FIG. 1; FIG. 3 is a right side view of the fishing rod anchor of FIG. 1; FIG. 4 is a top view of the fishing rod anchor of FIG. 1; FIG. 5 is a bottom view of the fishing rod anchor of FIG. 1; FIG. 6 is a rear view of the fishing rod anchor of FIG. 1; FIG. 7 is a front view of the fishing rod anchor of FIG. 1; FIG. 8 is a perspective view of the ground spike section of the fishing rod anchor of FIG. 1 in a non-extended position; FIG. 9 is a perspective view of the ground spike section of the fishing rod anchor of FIG. 1 in an extended position; FIG. 10 is an exploded view of the individual components forming the fishing rod anchor of FIG. 1; FIG. 11 is a left side view of the fishing rod anchor of FIG. 1 with the ground spike section embedded into the ground and the rest of the anchor set at a 0° position ready for a fishing rod anchor handle to be slid on; FIG. 12 is a left side view of the fishing rod anchor of FIG. 1 with the ground spike section embedded into the ground and the rest of the anchor set at a 30° position ready for a fishing rod anchor handle to be slid on; FIG. 13 is a left side view of the fishing rod anchor of FIG. 1 with the ground spike section embedded into the ground and the rest of the anchor set at a 60° position ready for a fishing rod anchor handle to be slid on; and, FIG. 14 is a left side elevation view of the fishing rod anchor of FIG. 1 with the ground spike section embedded into the ground and the rest of the anchor set at a 90° position with an attachable fishing rod anchor handle about to be slid on. The broken line showing of (i) the environment, (ii) portions of the ground spike section of the fishing rod anchor, and (iii) an attachable fishing rod anchor handle for use with the fishing rod anchor are included for the purpose of illustrating environment and form no part of the claimed design.

1 Claim, 8 Drawing Sheets



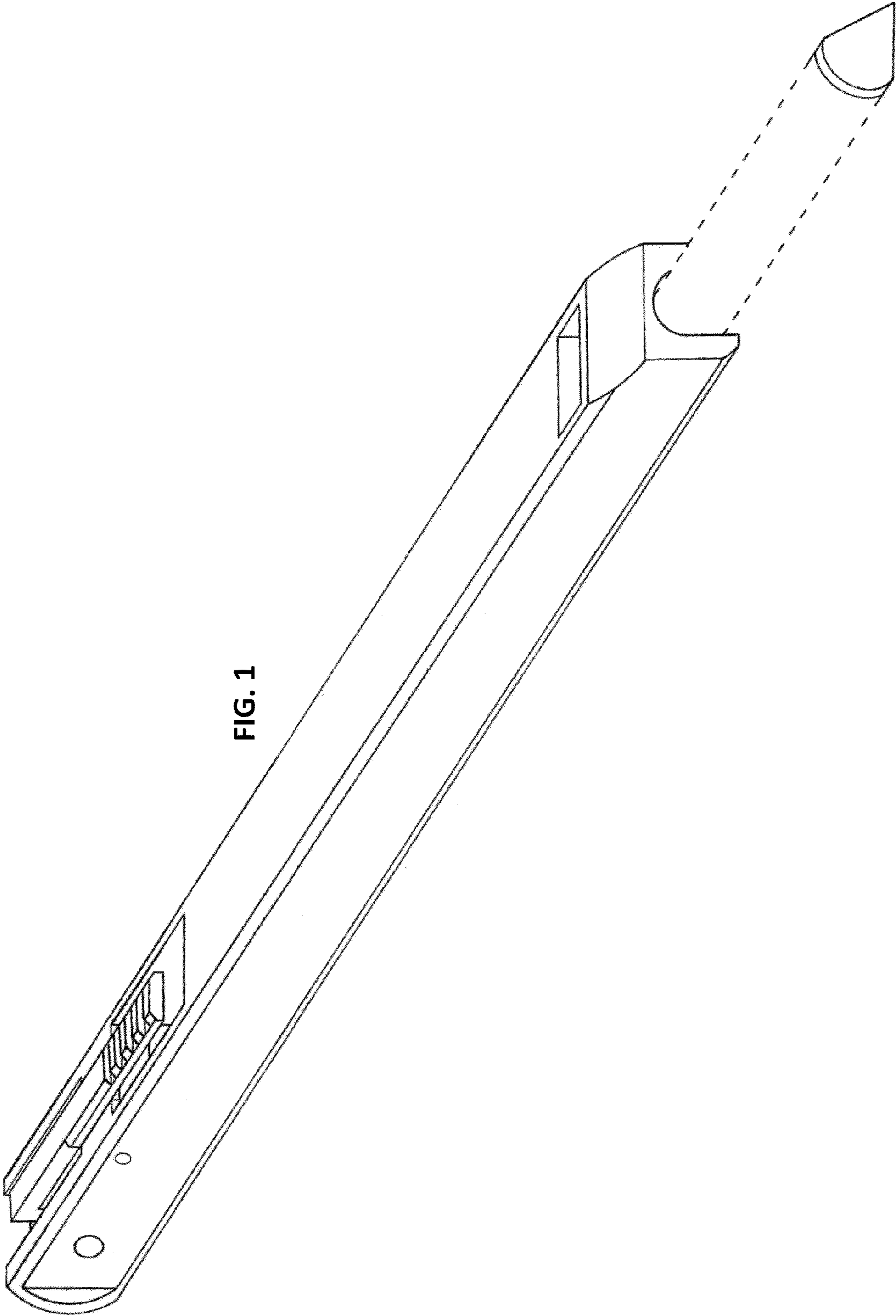
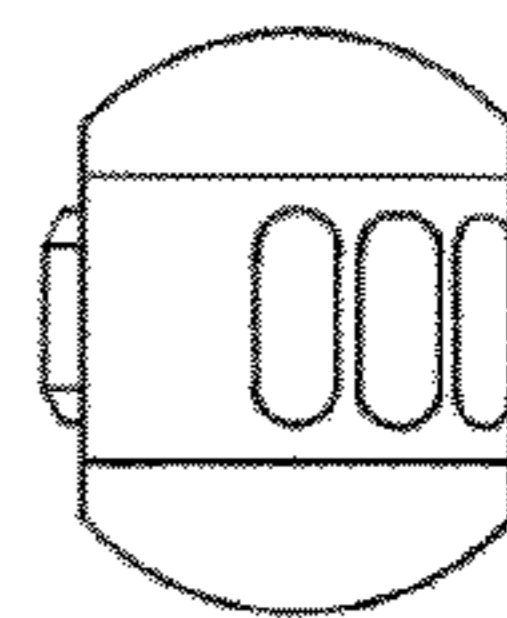
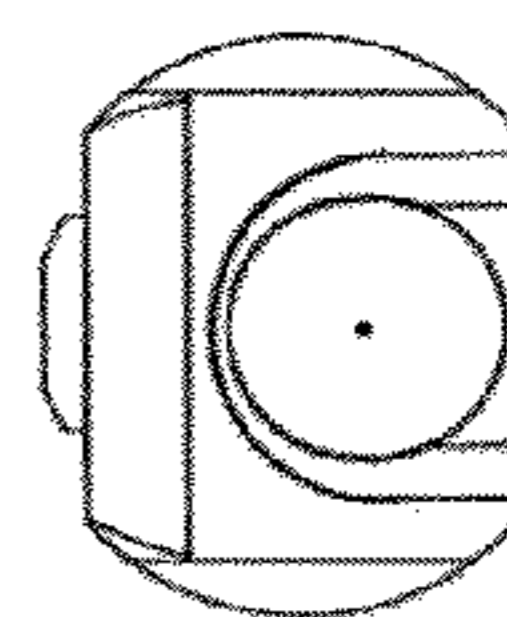
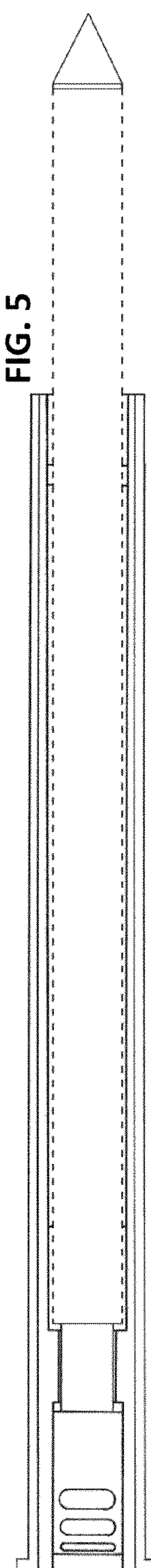
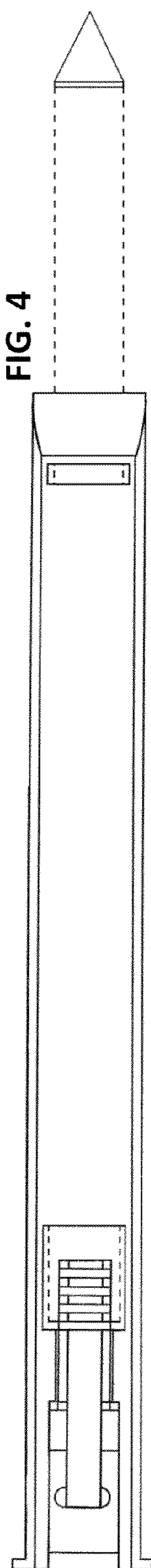
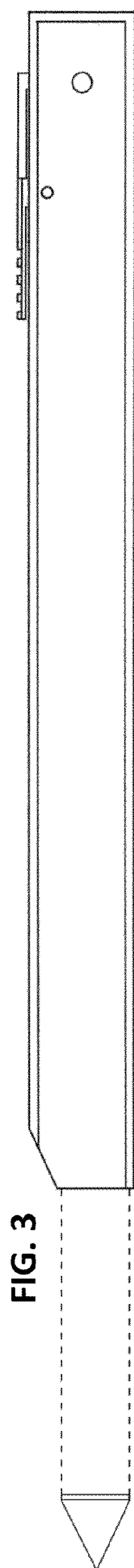
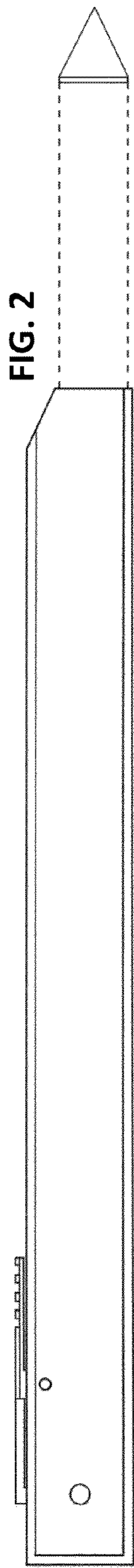


FIG. 1



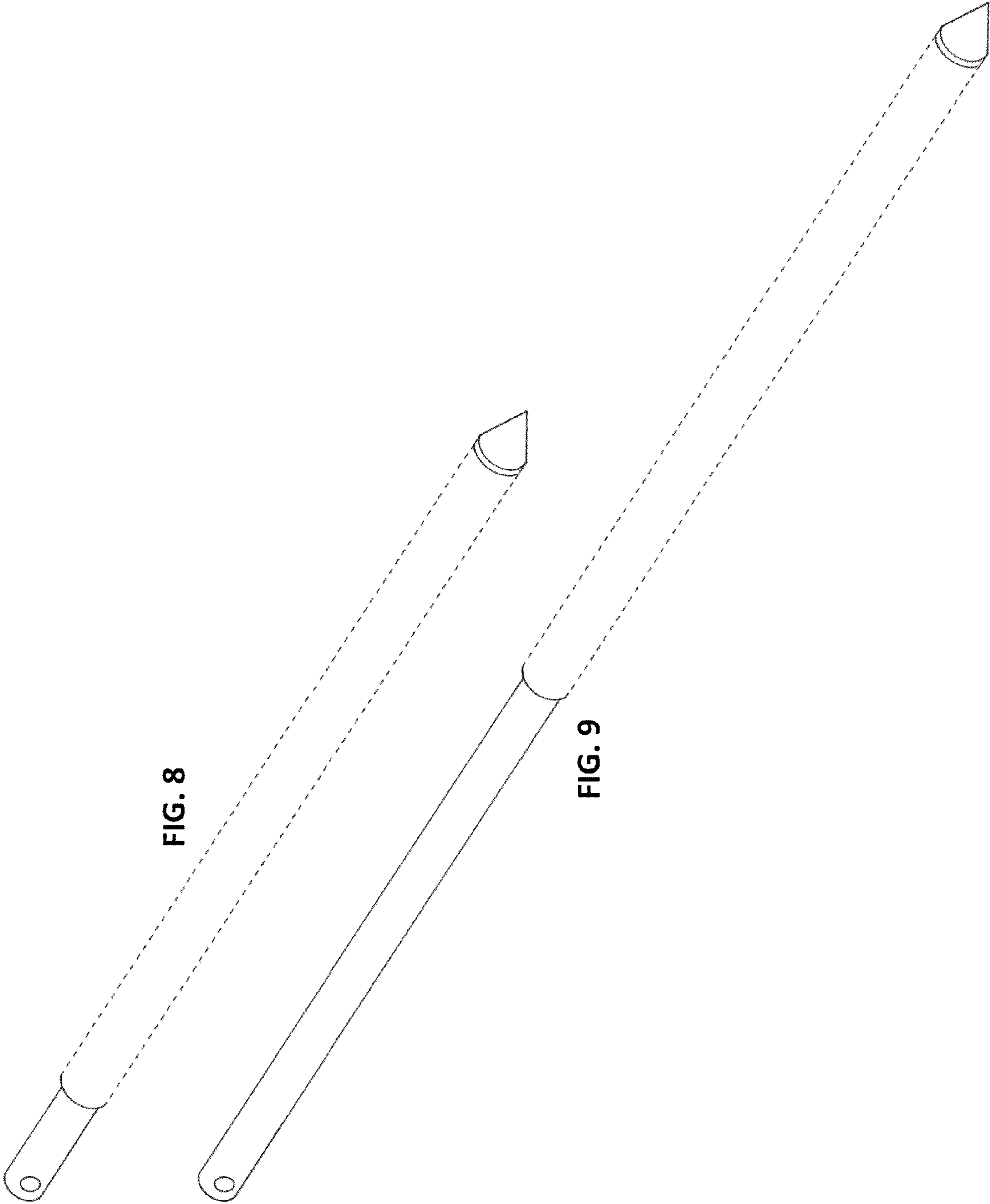


FIG. 8

FIG. 9

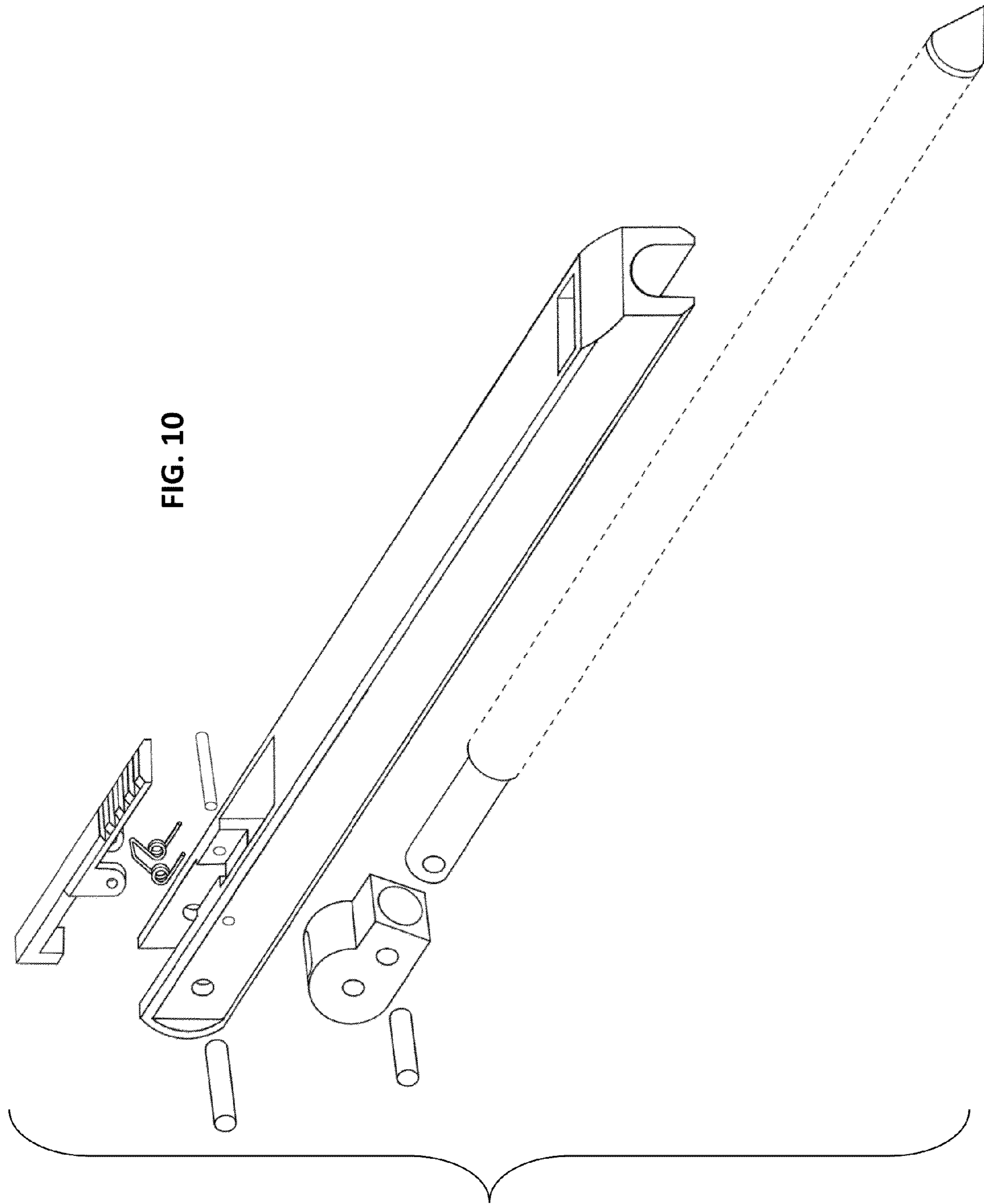


FIG. 11

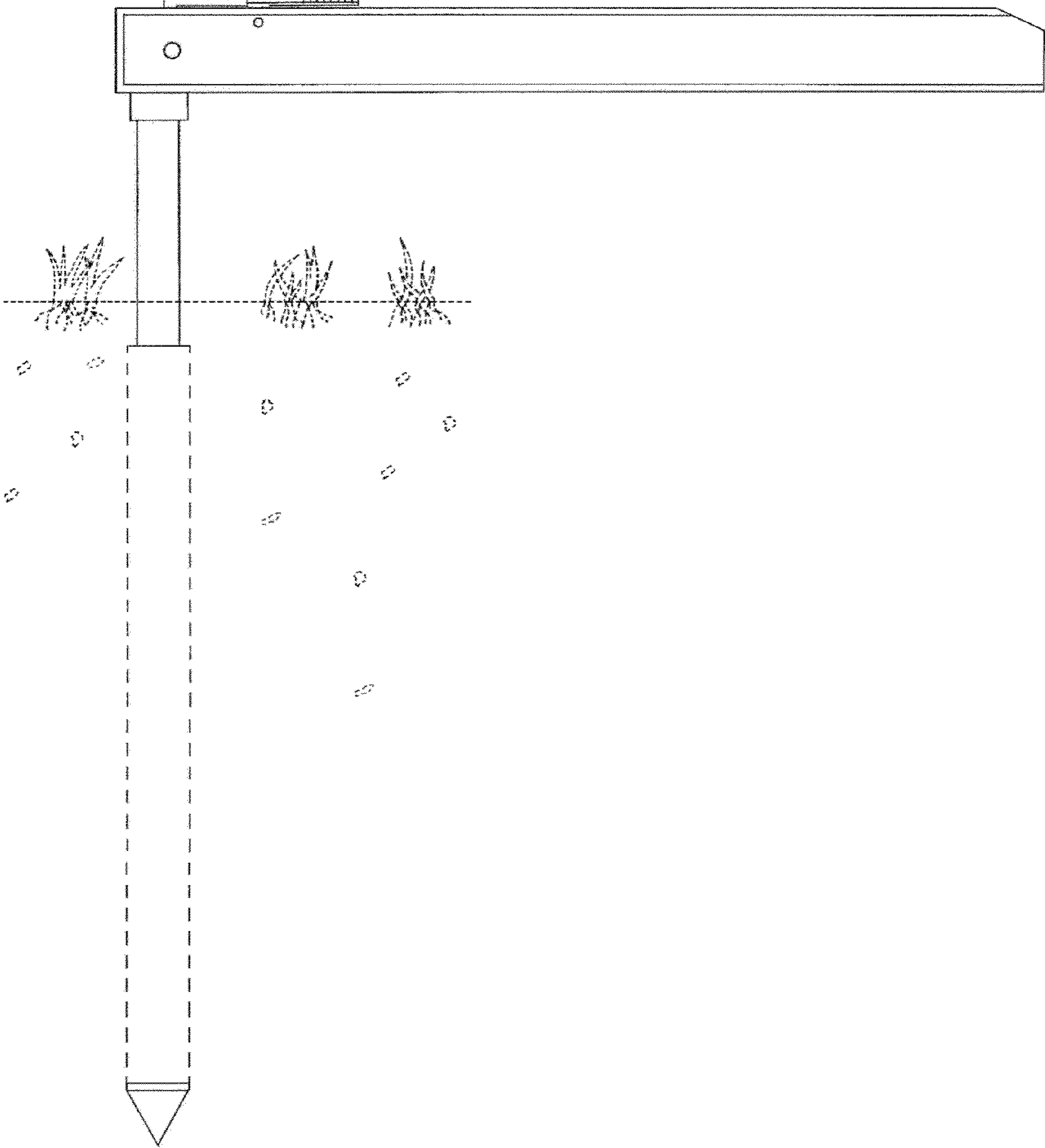


FIG. 12

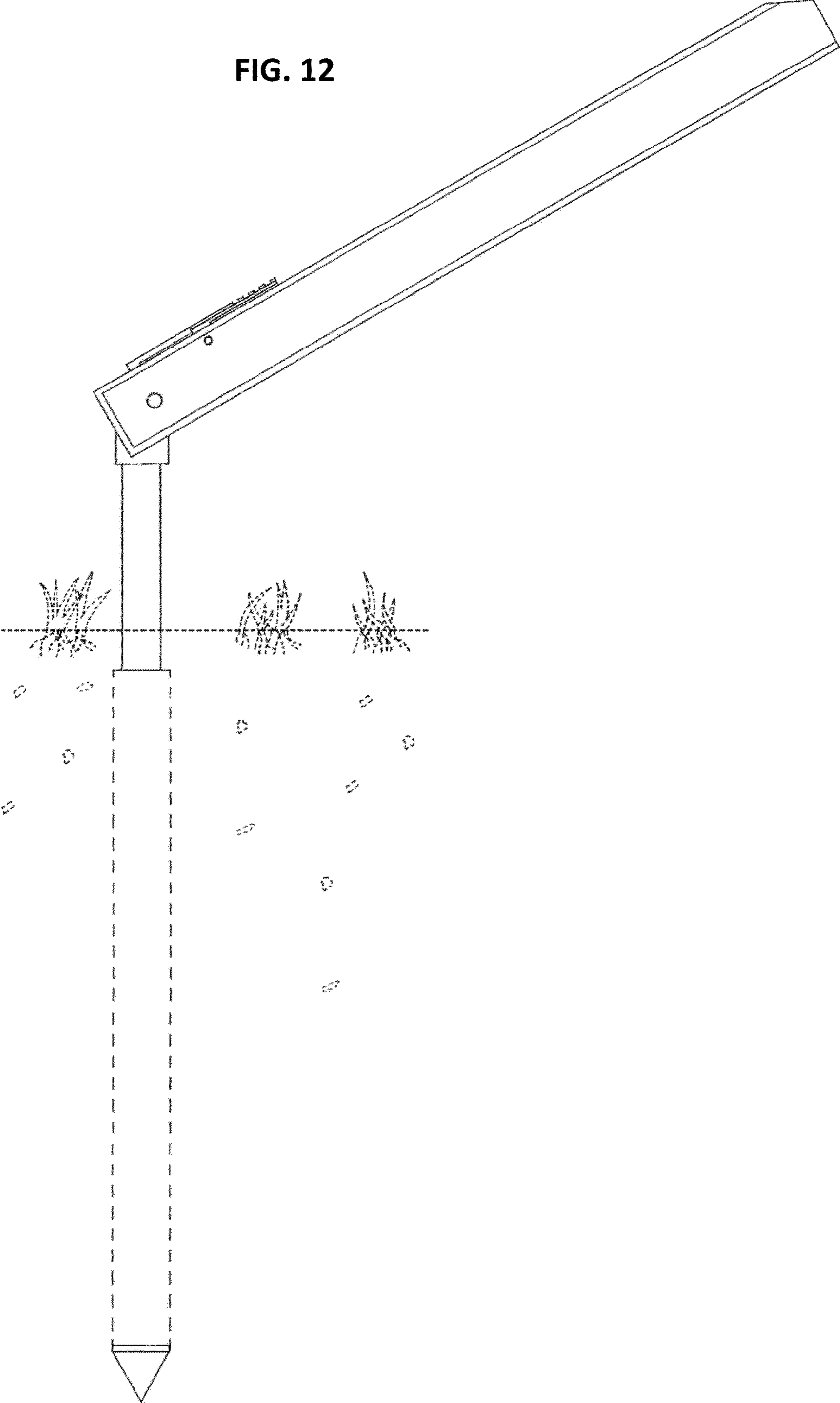


FIG. 13

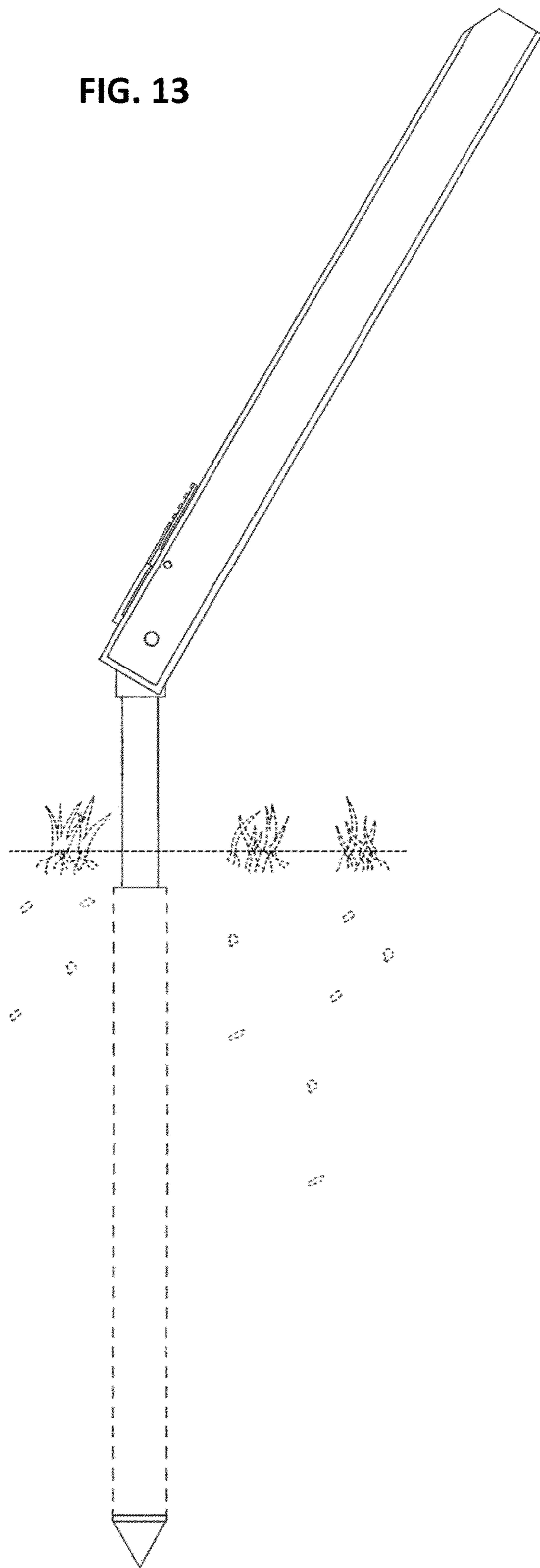


FIG. 14

