



US00D728726S

(12) **United States Design Patent**
Daniel et al.

(10) **Patent No.:** **US D728,726 S**
(45) **Date of Patent:** **** May 5, 2015**

(54) **PISTOL GRIP WITH TRIGGER GUARD**

(71) Applicant: **Daniel Defense, Inc.**, Black Creek, GA (US)

(72) Inventors: **Marvin C. Daniel**, Pooler, GA (US);
Larry J R Jones, Monroe, GA (US)

(73) Assignee: **Daniel Defense, Inc.**, Black Creek, GA (US)

(**) Term: **14 Years**

(21) Appl. No.: **29/472,164**

(22) Filed: **Nov. 8, 2013**

(51) **LOC (10) Cl.** **22-01**

(52) **U.S. Cl.**
USPC **D22/108**

(58) **Field of Classification Search**
CPC F41C 23/10; F41C 23/14; F41C 23/16;
F41C 23/18
USPC D22/108; 362/109–114; 42/90, 94, 114,
42/117, 124–127, 131, 146
See application file for complete search history.

(56) **References Cited**

U.S. PATENT DOCUMENTS

D257,166 S 9/1980 Hogue
D410,988 S 6/1999 Hines
6,854,205 B2 2/2005 Wikle et al.
6,981,344 B2 1/2006 Cahill et al.
7,506,469 B2 3/2009 Poulin et al.

(Continued)

Primary Examiner — Michael A Pratt

(74) *Attorney, Agent, or Firm* — Sutherland Asbill & Brennan LLP

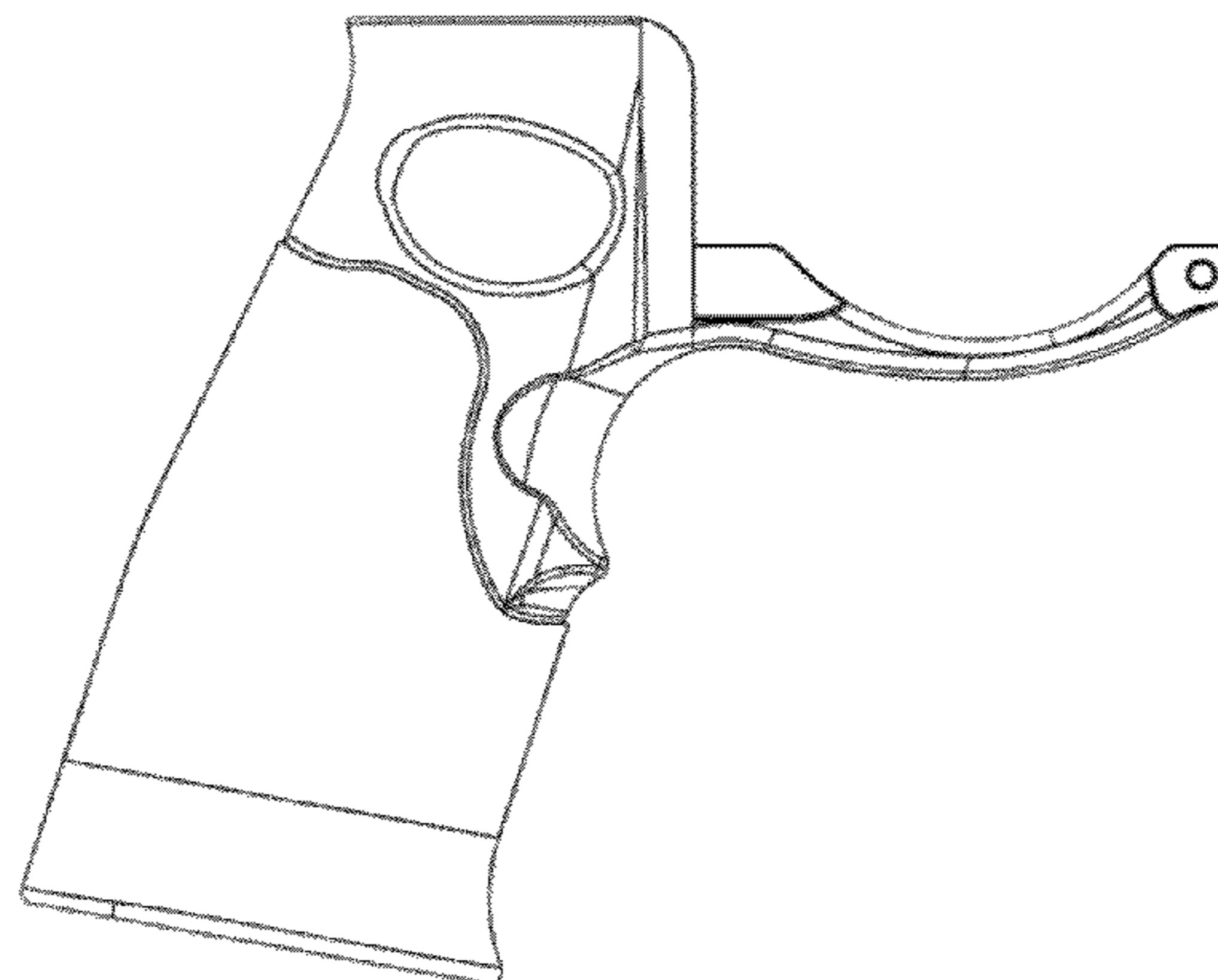
(57) **CLAIM**

The ornamental design for a pistol grip with trigger guard, as shown and described.

DESCRIPTION

FIG. 1 is a right side elevation view of the pistol grip with trigger guard for a firearm;
FIG. 2 is a left side elevation view of the pistol grip with trigger guard for a firearm;
FIG. 3 is a front elevation view of the pistol grip with trigger guard for a firearm;
FIG. 4 is a rear elevation view of the pistol grip with trigger guard, without the pistol grip cap, for a firearm;
FIG. 5 is a rear elevation view of the pistol grip with trigger guard, with the pistol grip cap, for a firearm;
FIG. 6 is a top elevation view of the pistol grip with trigger guard for a firearm;
FIG. 7 is a left side/top/front perspective view of the pistol grip with trigger guard for a firearm;
FIG. 8 is a bottom elevation view of the pistol grip with trigger guard, with the pistol grip cap, for a firearm;
FIG. 9 is a bottom elevation view of the pistol grip with trigger guard, without the pistol grip cap, for a firearm;
FIG. 10 is a right side/top/rear perspective view of the pistol grip with trigger guard for a firearm;
FIG. 11 is a left side/bottom/rear perspective view of the pistol grip with trigger guard, without the pistol grip cap, for a firearm;
FIG. 12 is a left side/bottom/rear perspective view of the pistol grip with trigger guard, with the pistol grip cap, for a firearm;
FIG. 13 is a right side/bottom/front perspective view of the pistol grip with trigger guard, without the pistol grip cap, for a firearm;
FIG. 14 is a right side/top/front perspective view of the pistol grip with trigger guard for a firearm;
FIG. 15 is a right side/bottom/front perspective view of the pistol grip with trigger guard, with the pistol grip cap, for a firearm; and,
FIG. 16 is a left side/top/rear perspective view of the pistol grip with trigger guard for a firearm.

1 Claim, 5 Drawing Sheets



(56)

References Cited

U.S. PATENT DOCUMENTS

D600,310 S 9/2009 Fitzpatrick et al.
8,151,504 B1 4/2012 Aiston
2007/0256347 A1 11/2007 Fitzpatrick et al.

2009/0313873 A1 12/2009 Roth
2010/0139144 A1 6/2010 Fitzpatrick et al.
2011/0283582 A1* 11/2011 Hunter et al. 42/69.02
2014/0331535 A1* 11/2014 Robinson et al. 42/6
2014/0360076 A1* 12/2014 Zamlinsky 42/75.03

* cited by examiner

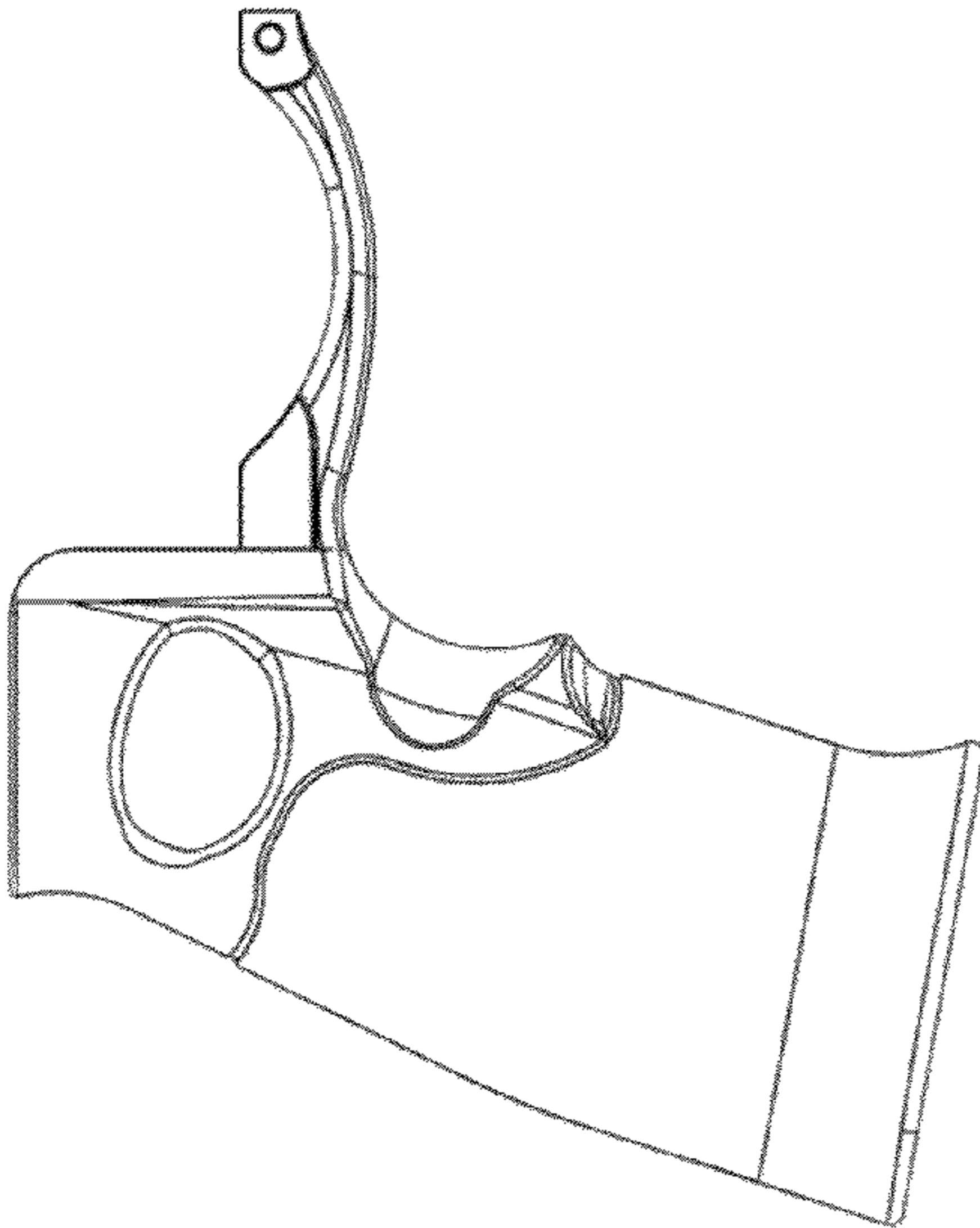


FIG. 1

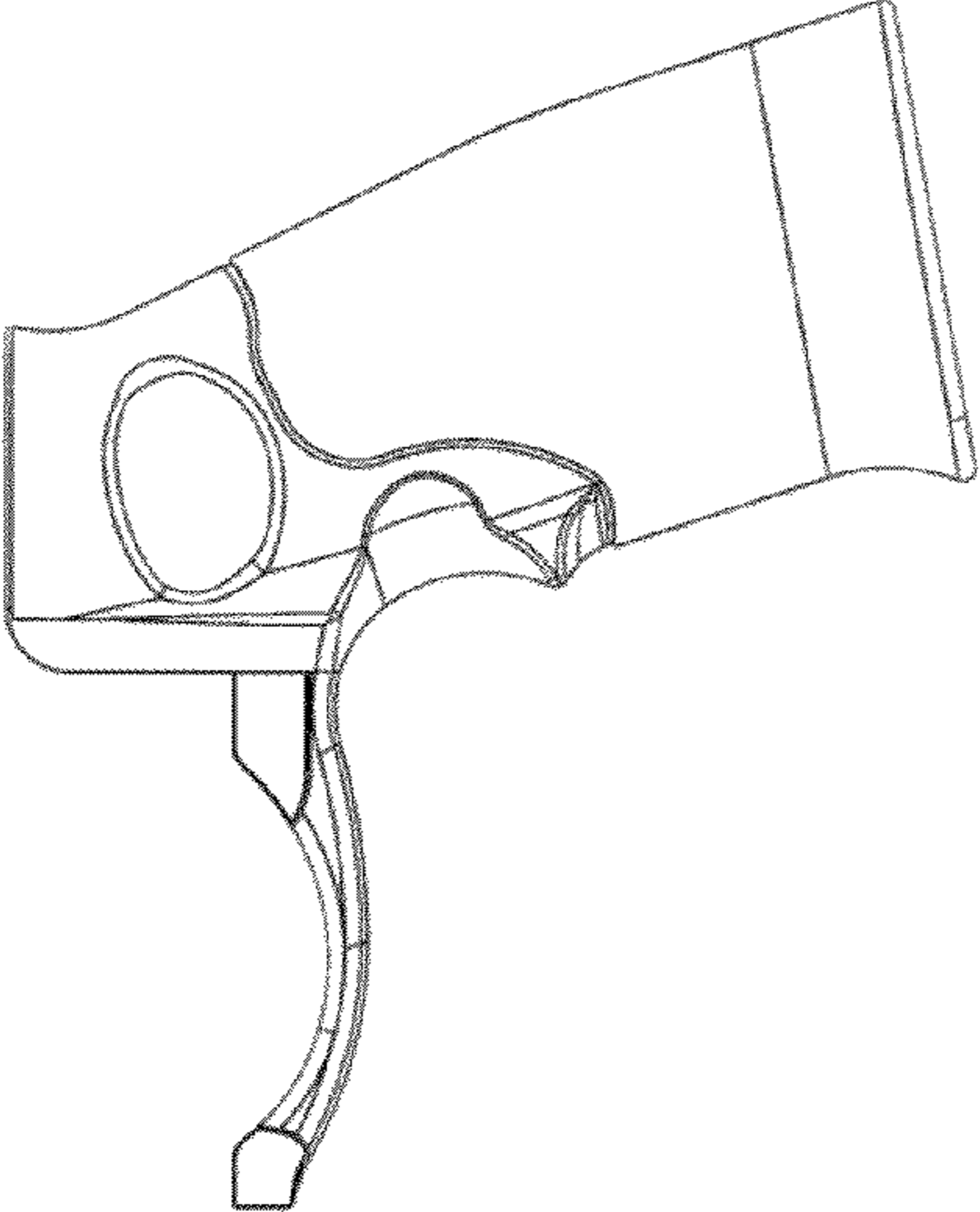


FIG. 2

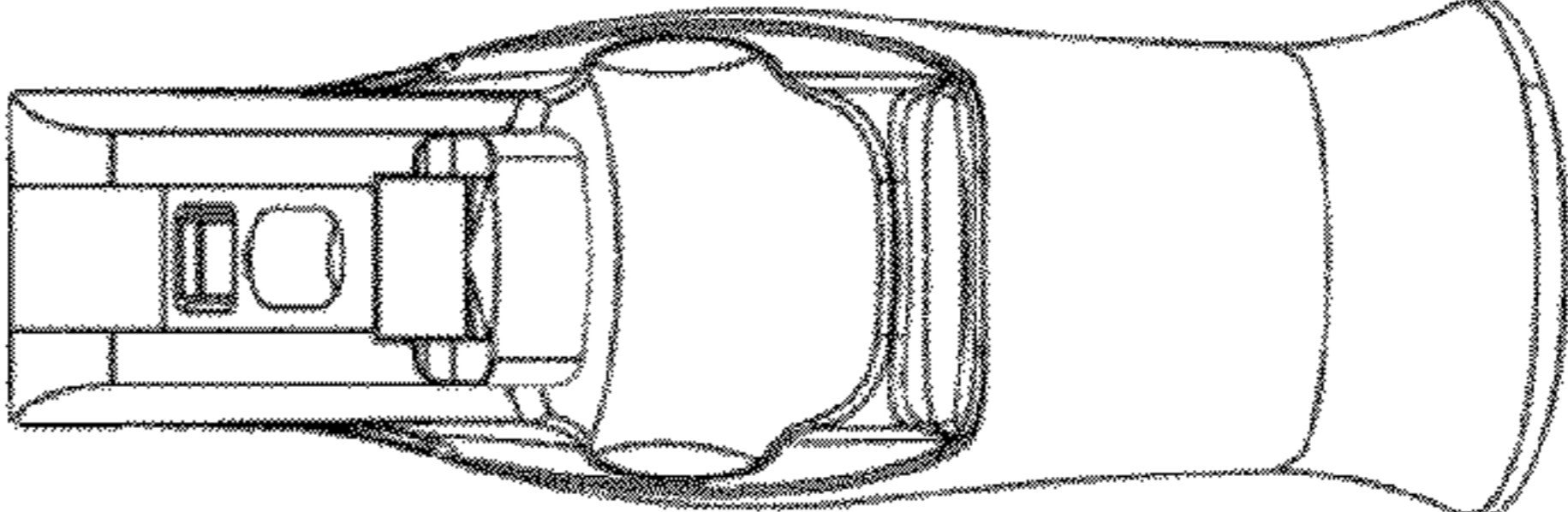


FIG. 3

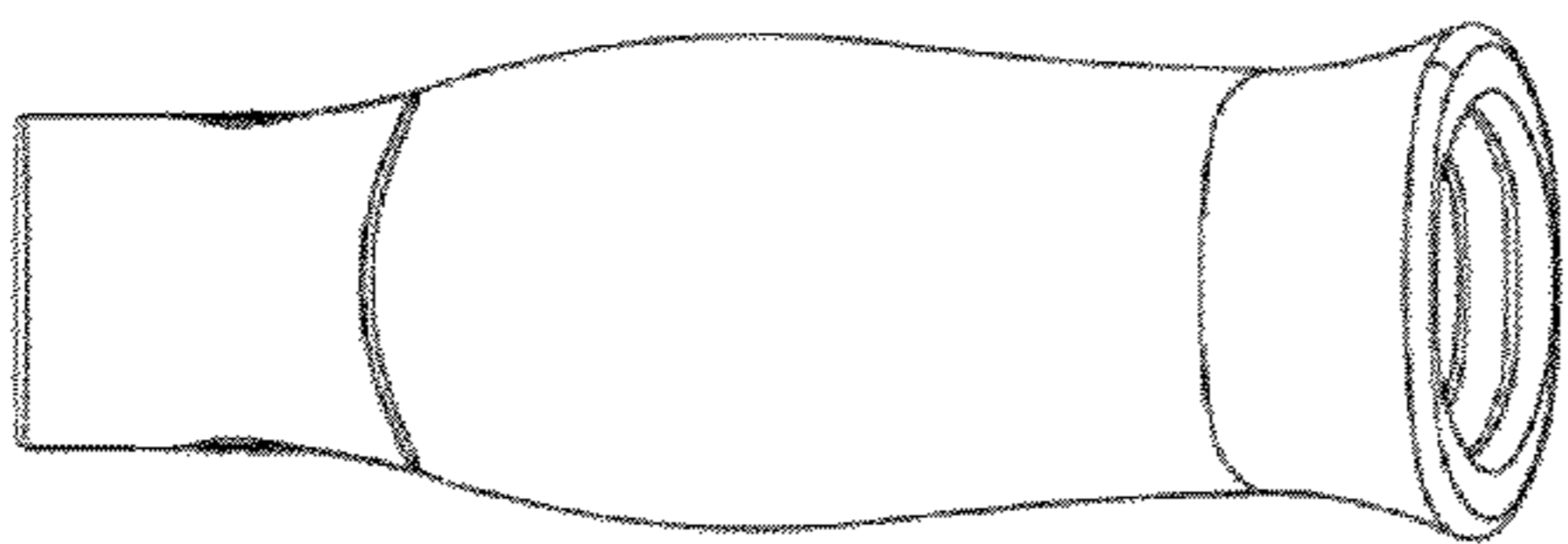


FIG. 4

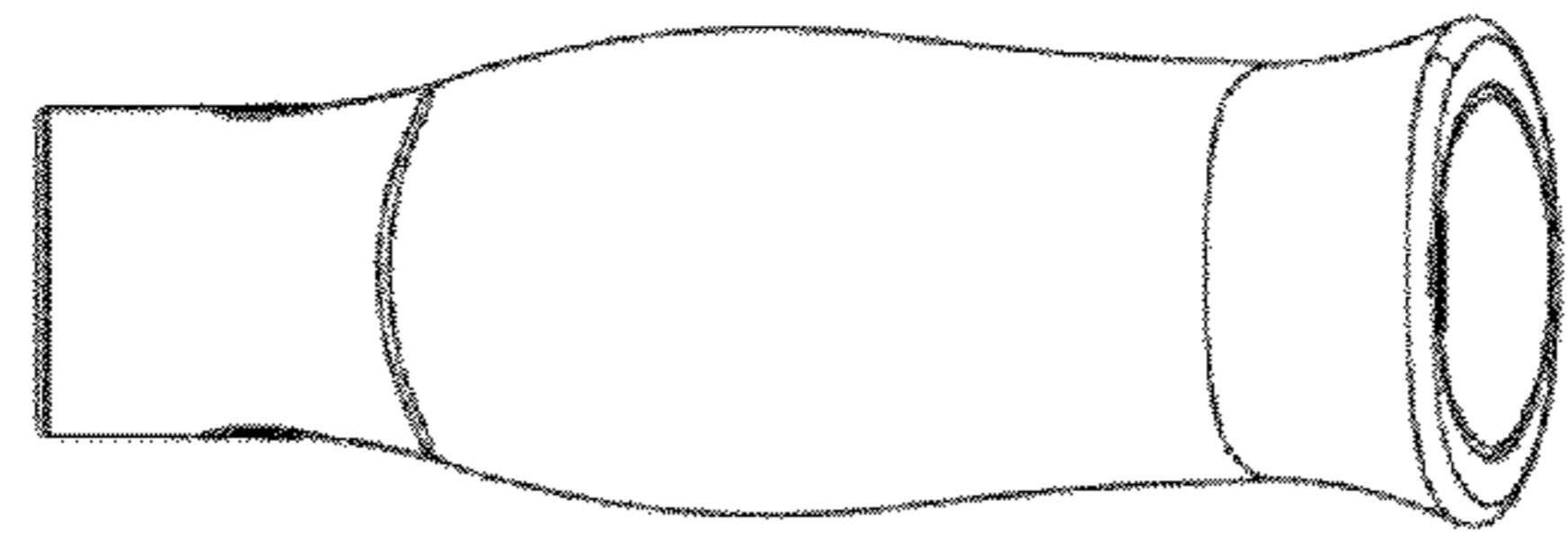


FIG. 5

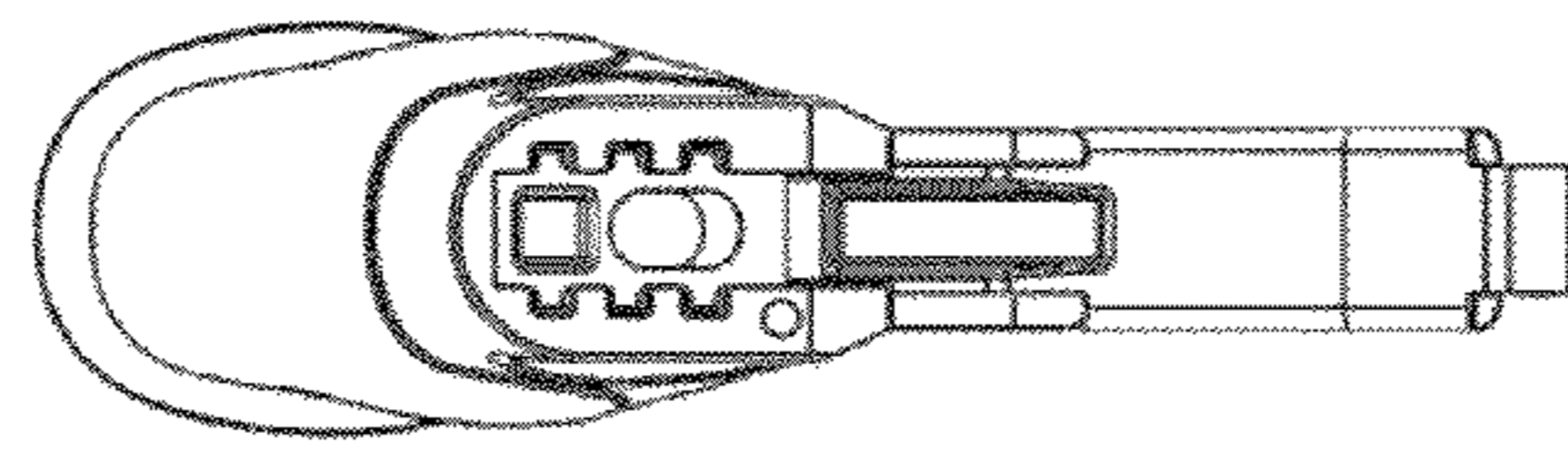


FIG. 6

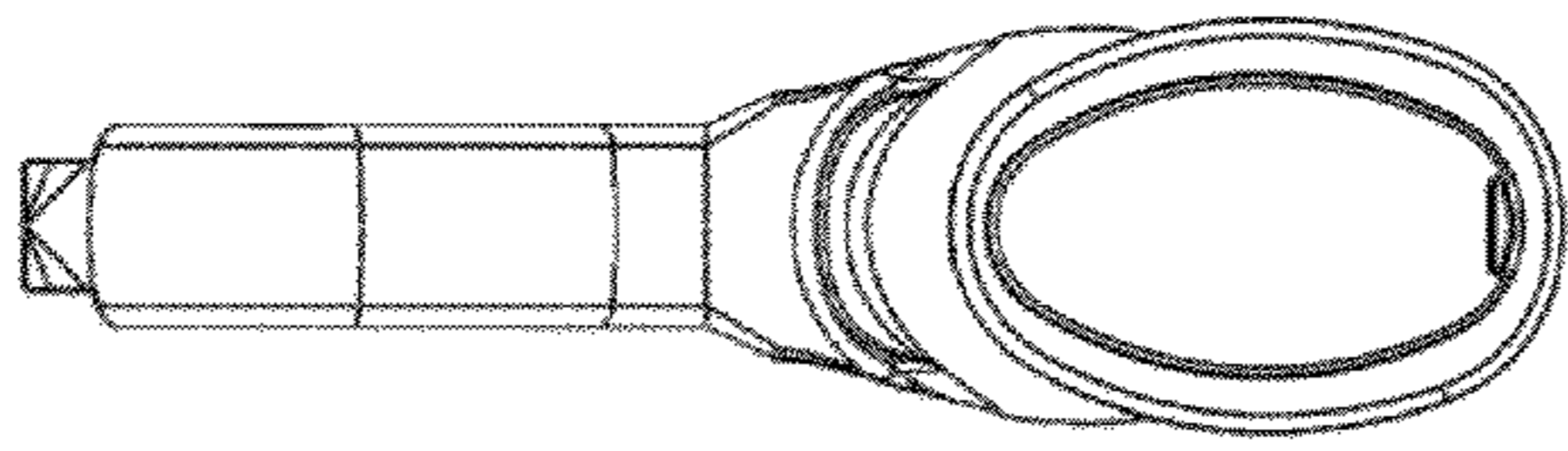


FIG. 8

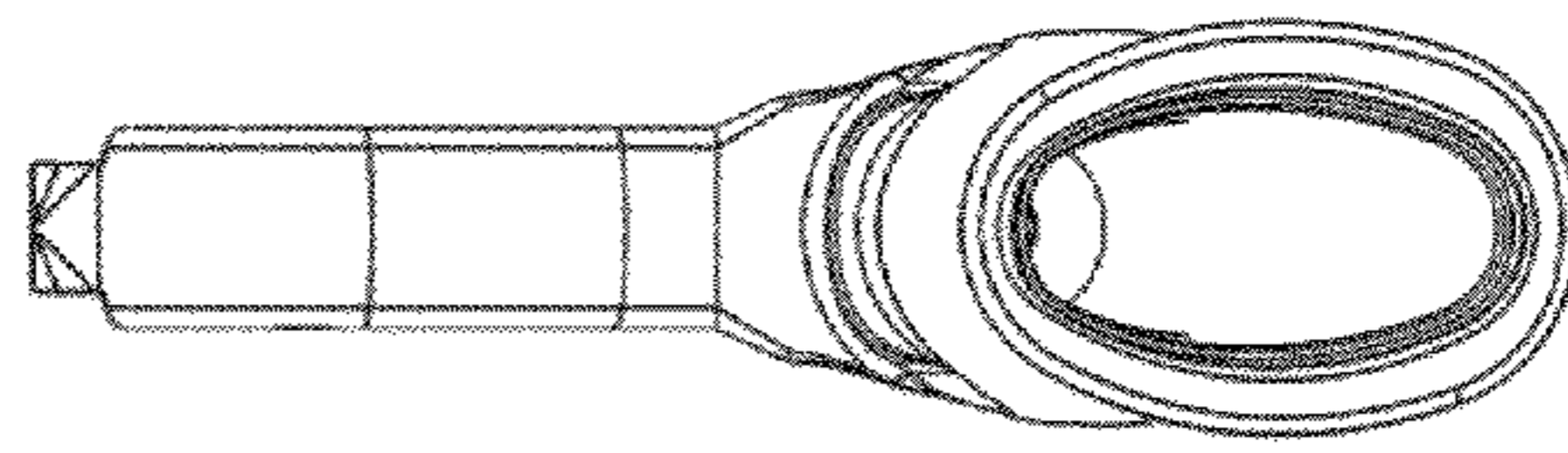


FIG. 9

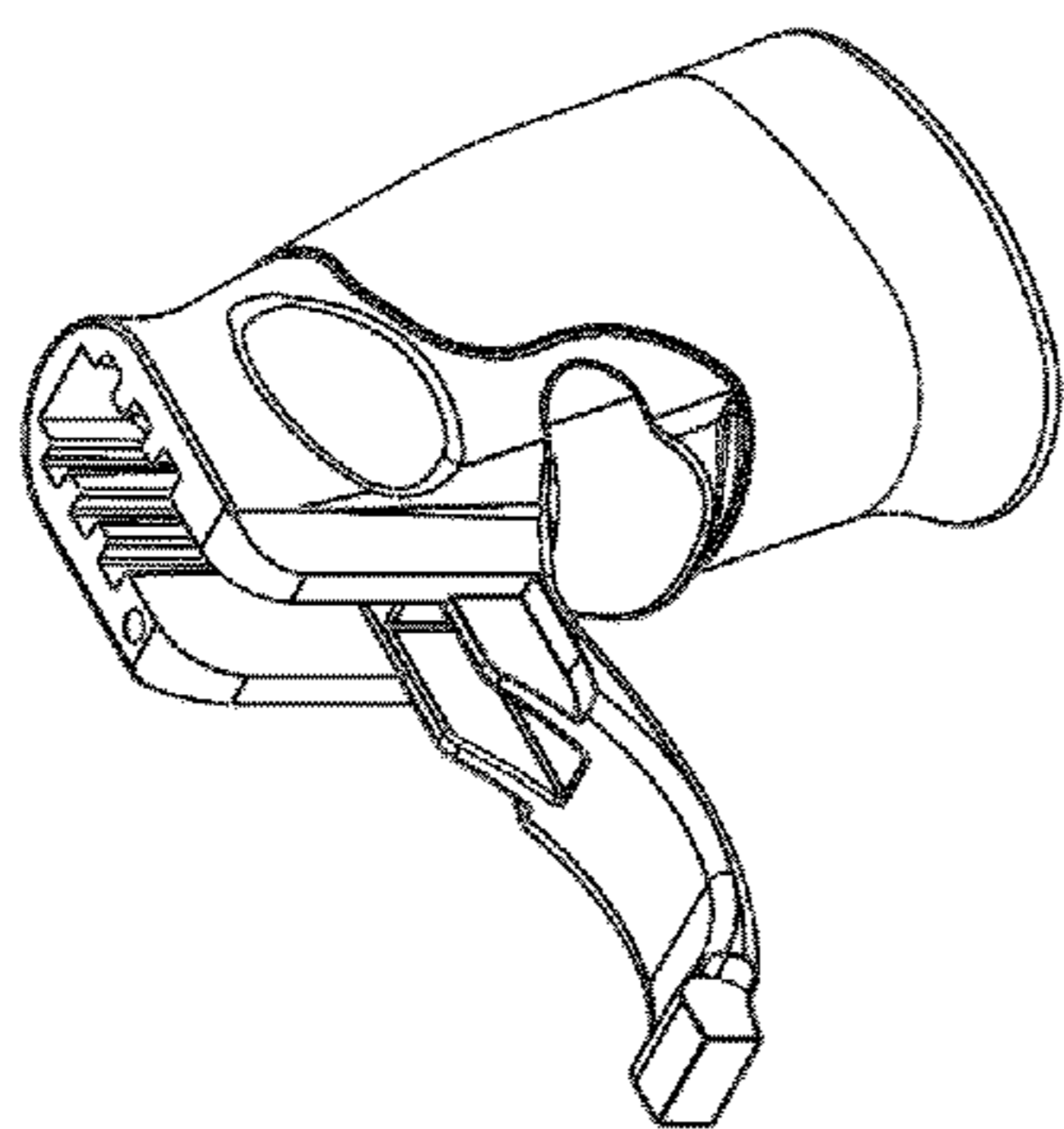


FIG. 7

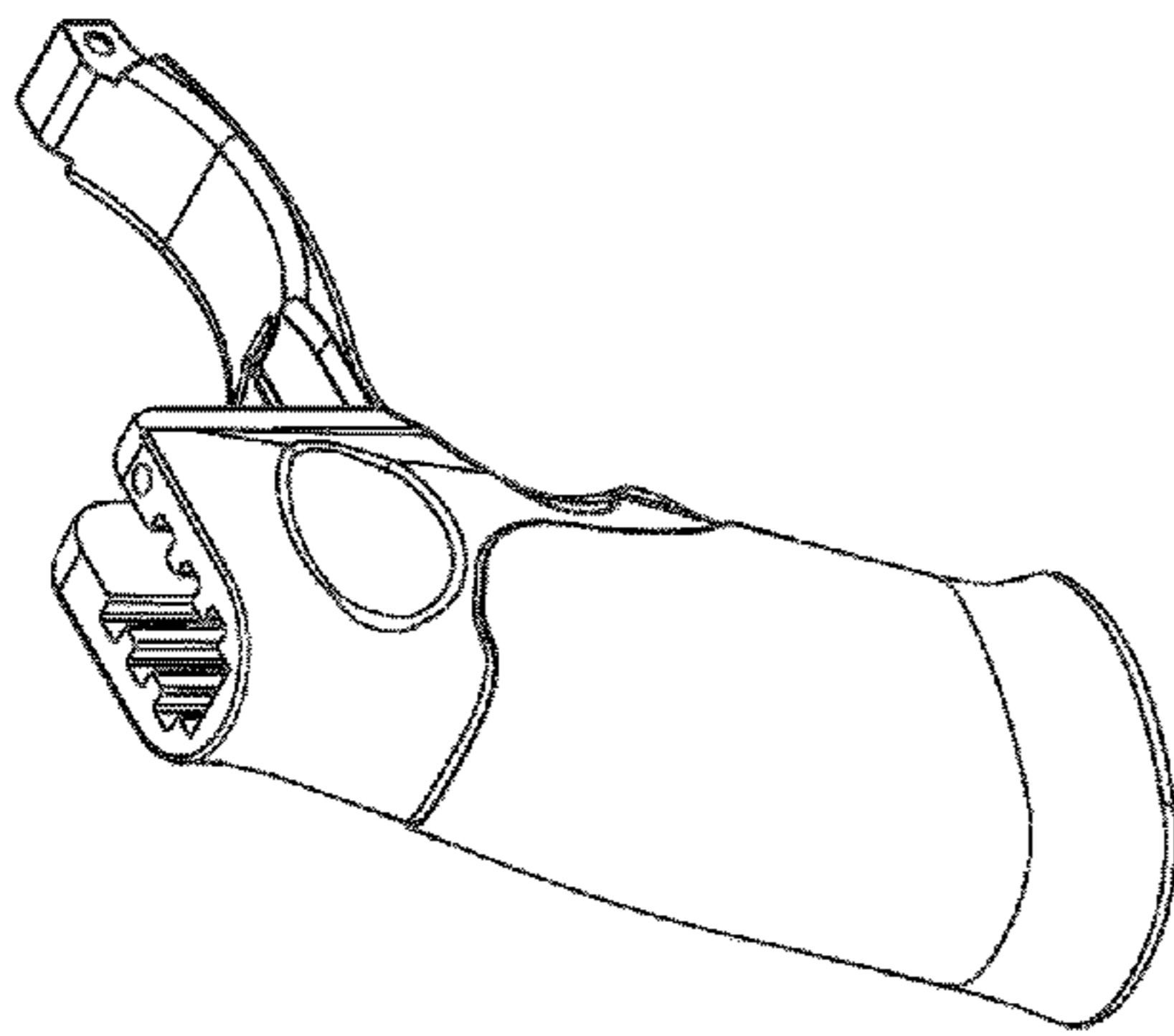


FIG. 10

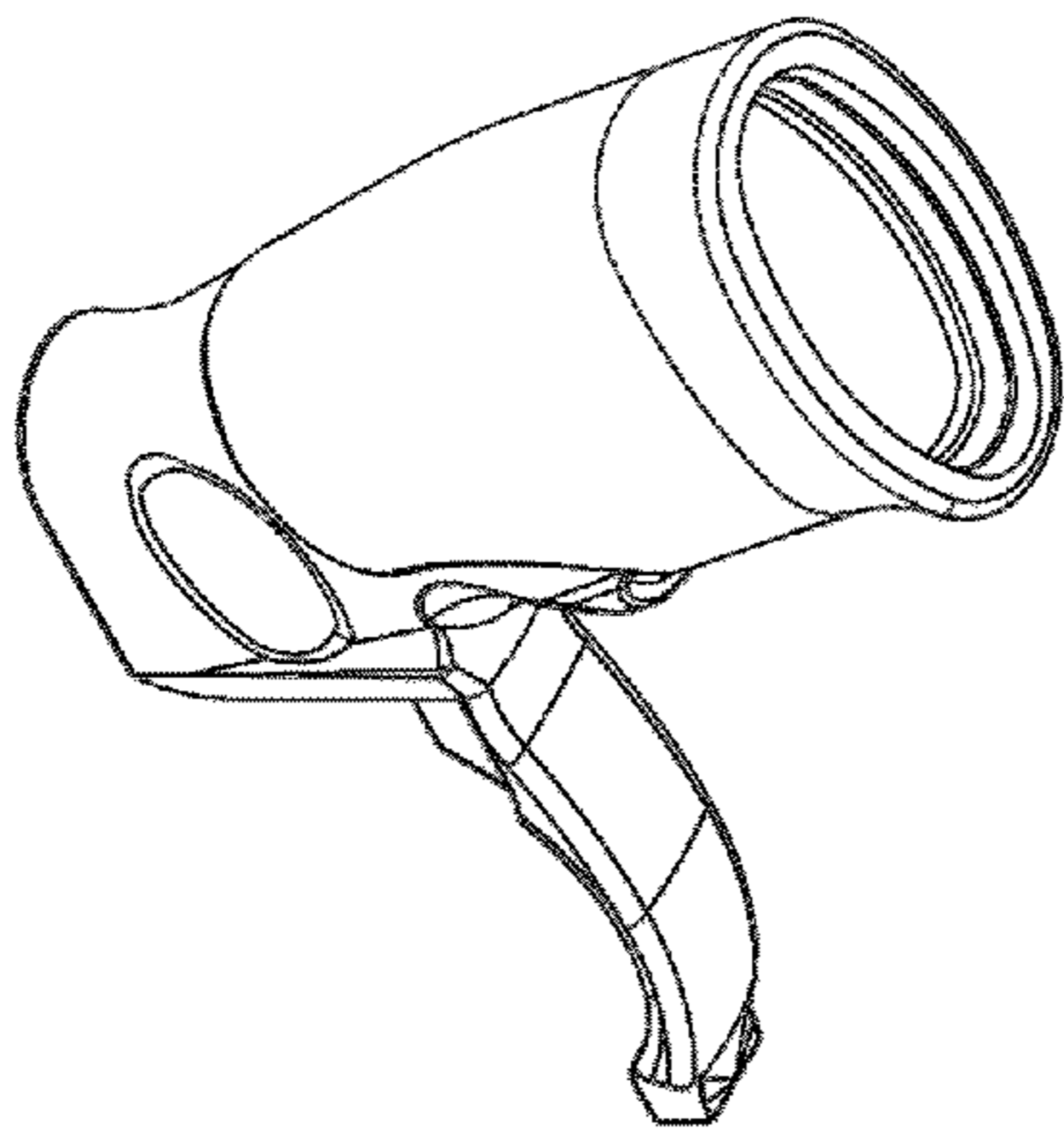


FIG. 11

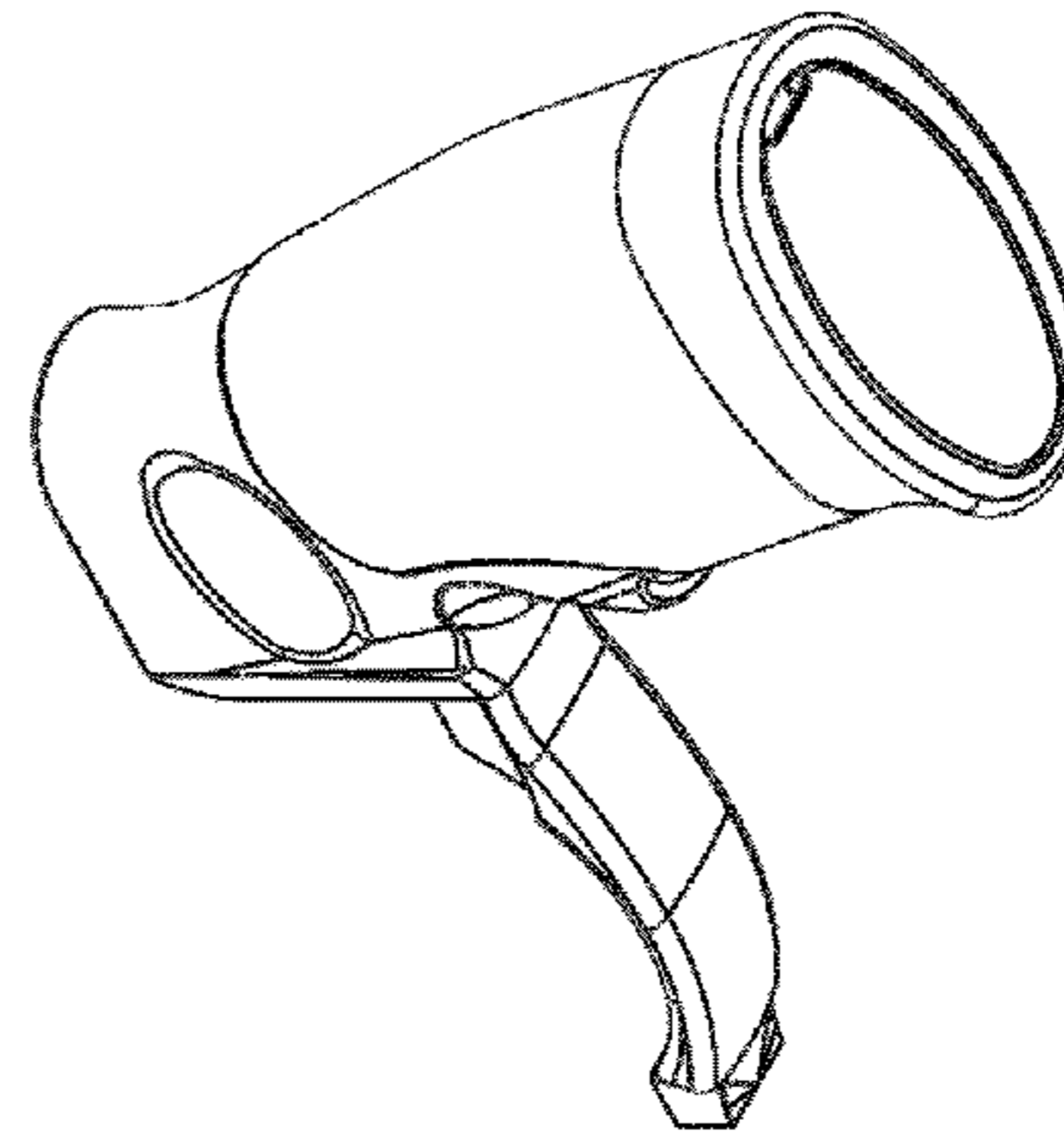


FIG. 12

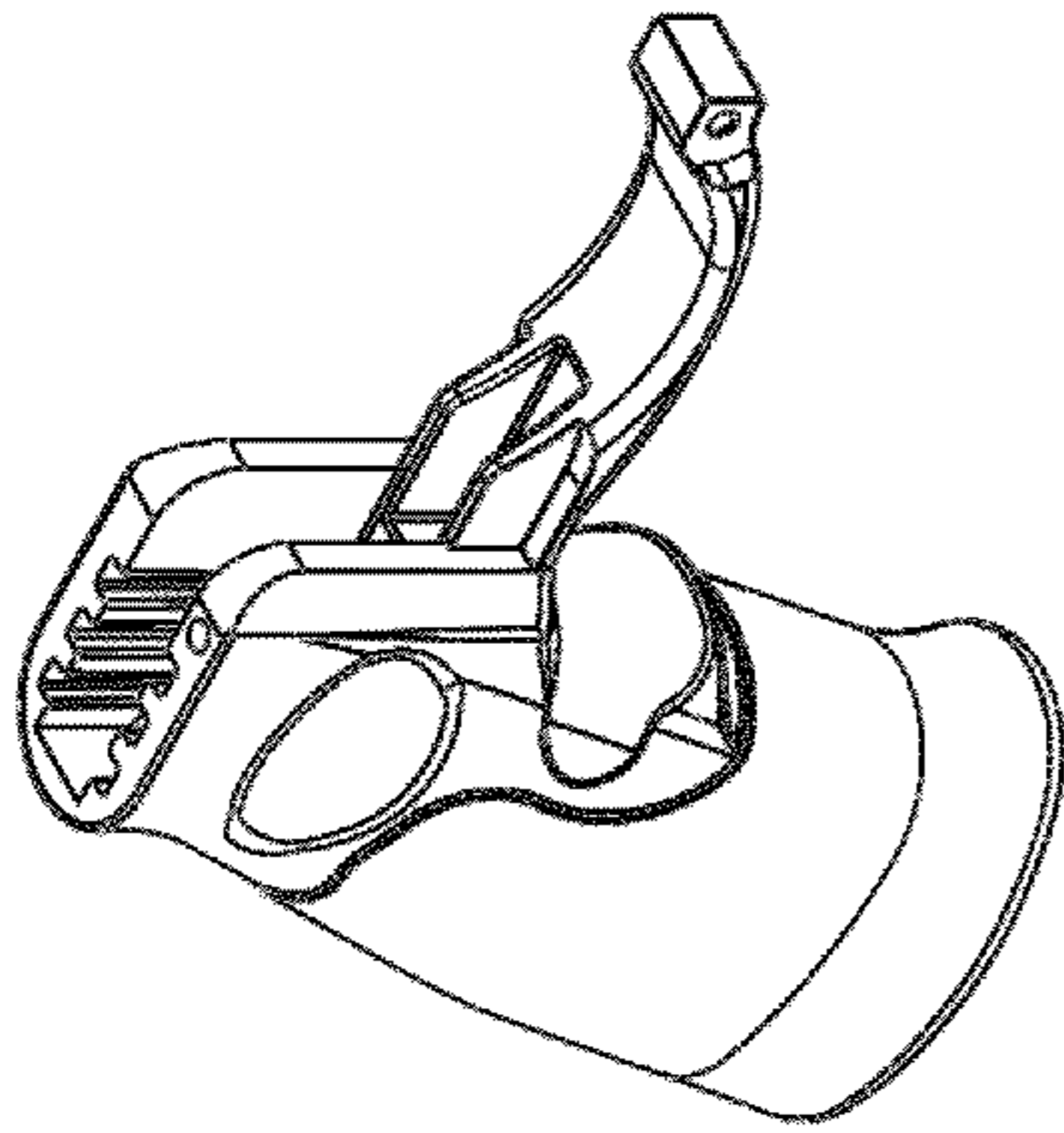


FIG. 14

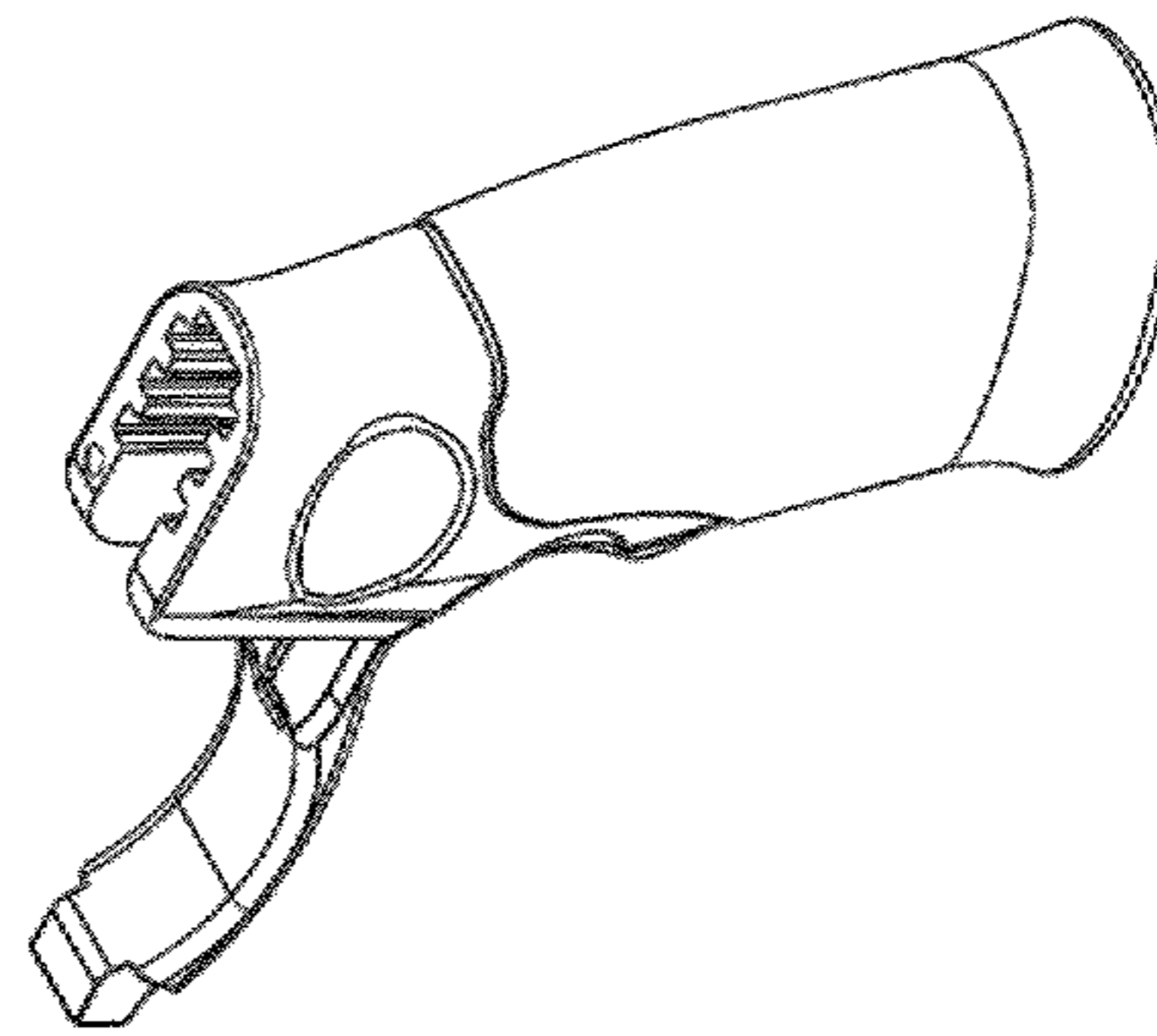


FIG. 16

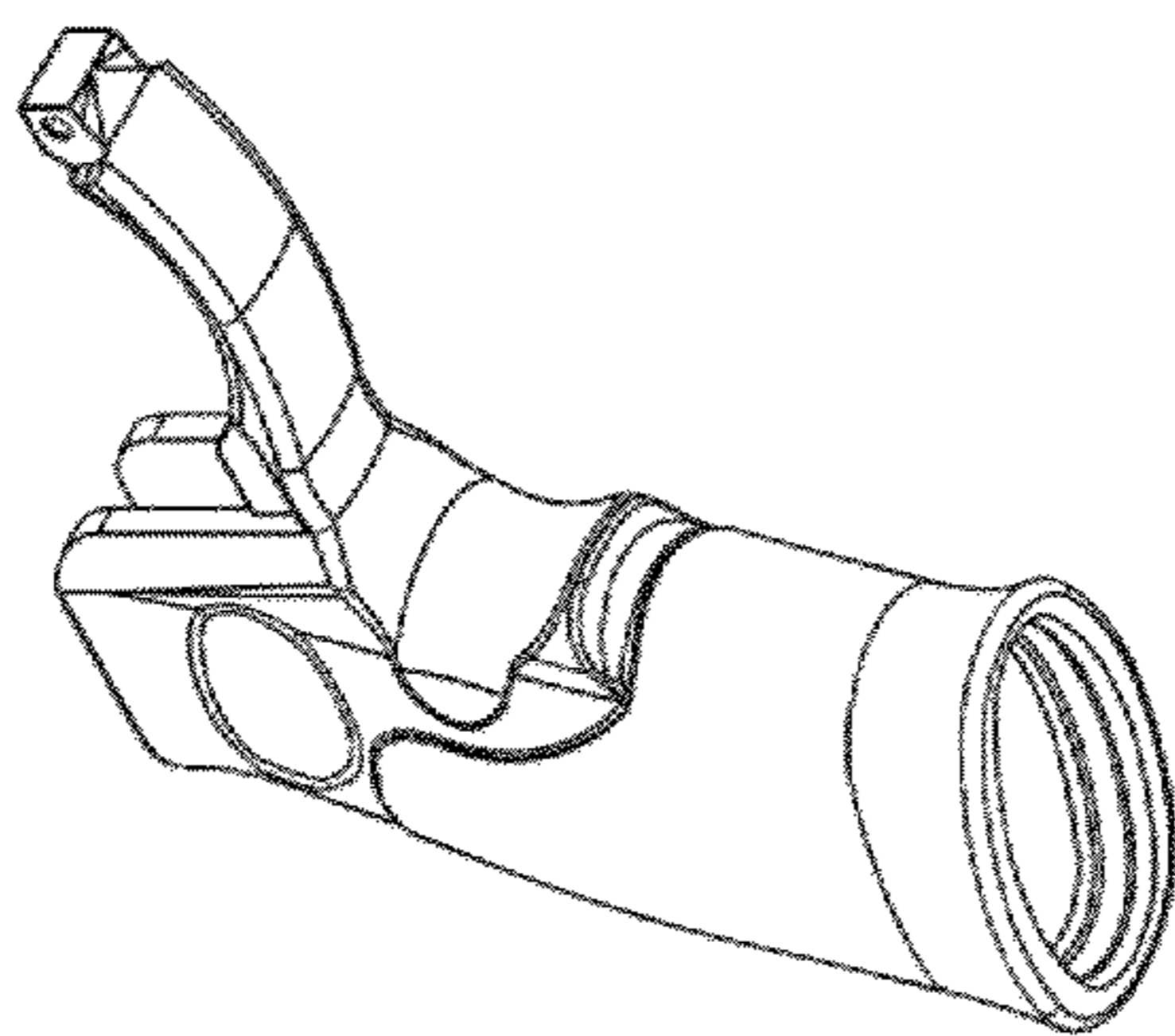


FIG. 13

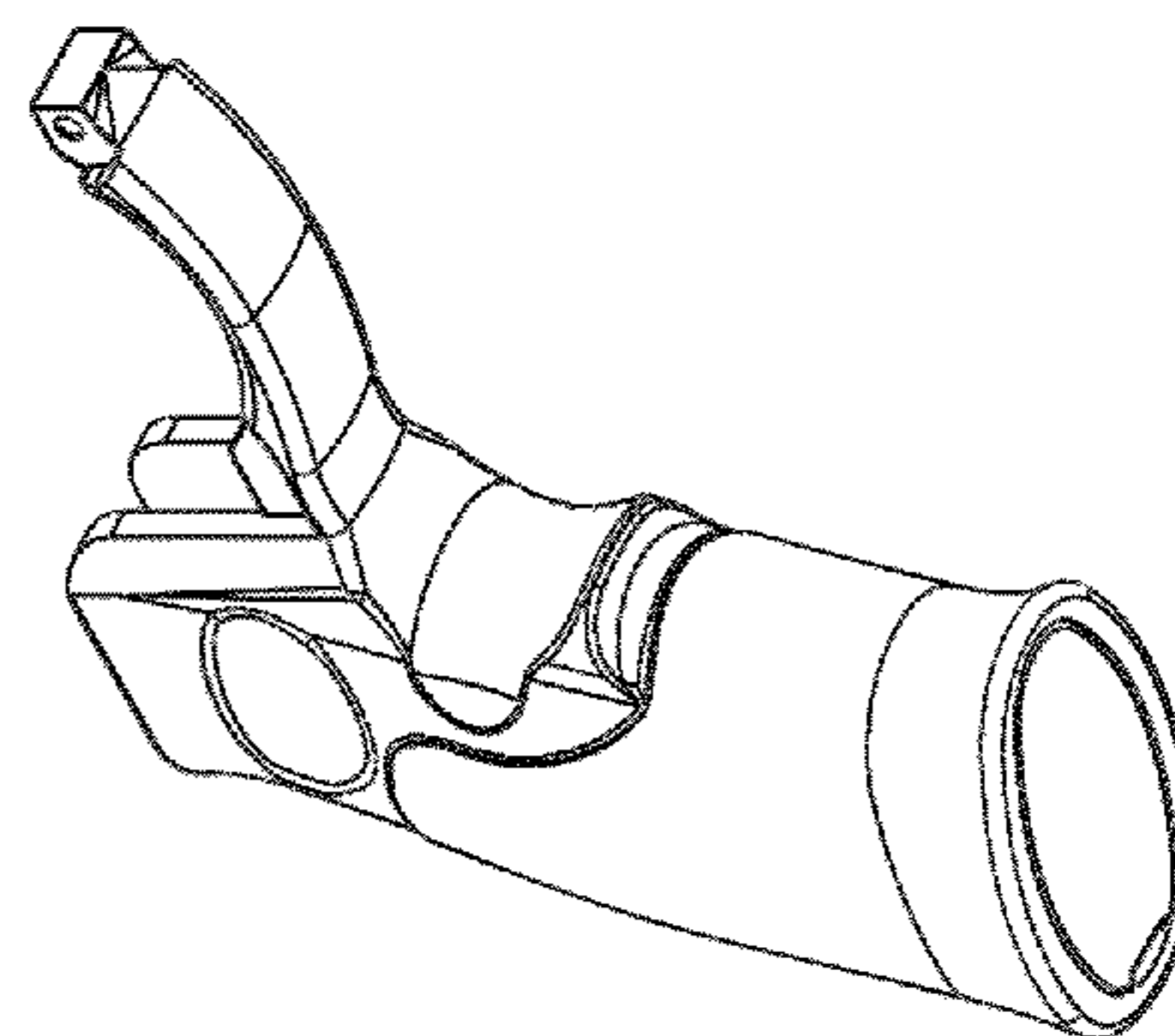


FIG. 15