



US00D728725S

(12) **United States Design Patent**
Anderson et al.

(10) **Patent No.:** **US D728,725 S**

(45) **Date of Patent:** **** May 5, 2015**

(54) **FORWARD HANDGRIP FOR A FIREARM**

(71) Applicants: **Mark I Anderson**, St. George, UT (US);
Vince S. Warner, Alpine, UT (US)

(72) Inventors: **Mark I Anderson**, St. George, UT (US);
Vince S. Warner, Alpine, UT (US)

(73) Assignee: **Mark I Anderson**, St. George, UT (US)

(**) Term: **14 Years**

(21) Appl. No.: **29/471,888**

(22) Filed: **Nov. 6, 2013**

(51) **LOC (10) Cl.** **22-01**

(52) **U.S. Cl.**
USPC **D22/108**

(58) **Field of Classification Search**
CPC F41C 23/10; F41C 23/14; F41C 23/16;
F41C 23/18
USPC D22/108; 362/109–114; 42/90, 94, 114,
42/117, 124–127, 131, 146
See application file for complete search history.

(56) **References Cited**

U.S. PATENT DOCUMENTS

898,178	A	9/1908	Bourne	
2,383,471	A	6/1942	Colby	
D220,691	S	5/1971	Peterson	
6,804,907	B1	10/2004	Slobodkin	
D580,710	S *	11/2008	Huggins	D7/515
D651,205	S *	12/2011	Soekoro	D14/250
D674,380	S *	1/2013	Soekoro	D14/250
2013/0165239	A1 *	6/2013	Gaudet	463/47.2

OTHER PUBLICATIONS

S. P. Fjestad, Three Weapons in One: Apache Centerfire Revolver, Guns & Ammo, <http://www.gunsandammo.com/2013/09/27/three-weapons-one-apache-centerfire-revolver/>, Sep. 27, 2013.

* cited by examiner

Primary Examiner — Michael A Pratt

(74) *Attorney, Agent, or Firm* — Geoffrey E. Dobbin; Dobbin IP Law P.C.

(57) **CLAIM**

The ornamental design for a forward handgrip for a firearm, as shown and described.

DESCRIPTION

FIG. 1 is a rear/top perspective view of the forward handgrip for a firearm.

FIG. 2 is a front/top perspective view of the forward handgrip for a firearm.

FIG. 3 is a rear/bottom perspective view of the forward handgrip for a firearm.

FIG. 4 is a front/bottom perspective view of the forward handgrip for a firearm.

FIG. 5 is a left side elevation of the forward handgrip for a firearm, the right side elevation being identical.

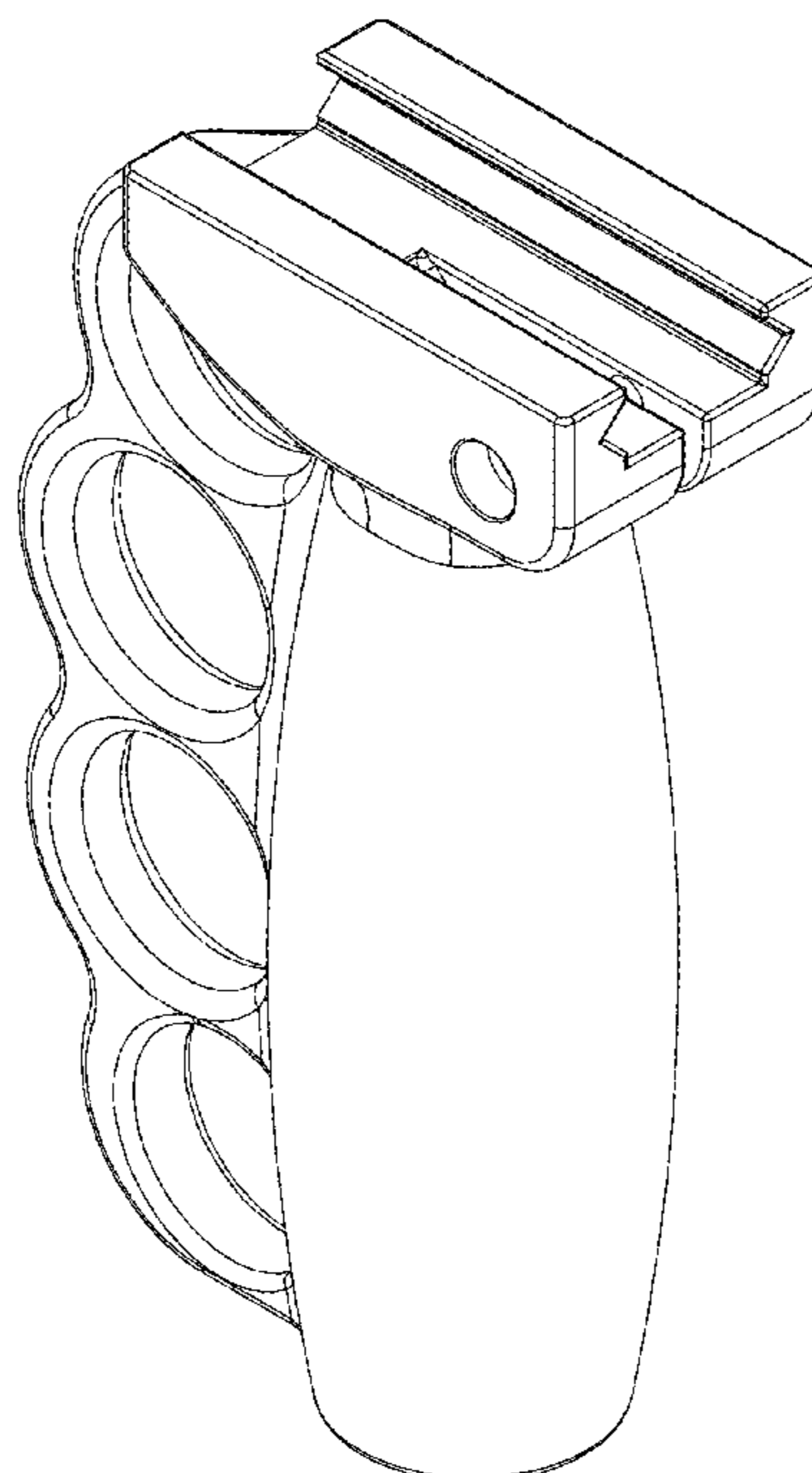
FIG. 6 is a rear elevation view of the forward handgrip for a firearm.

FIG. 7 is a front elevation view of the forward handgrip for a firearm.

FIG. 8 is a top plan view of the forward handgrip for a firearm; and,

FIG. 9 is a bottom plan view of the forward handgrip for a firearm.

1 Claim, 8 Drawing Sheets



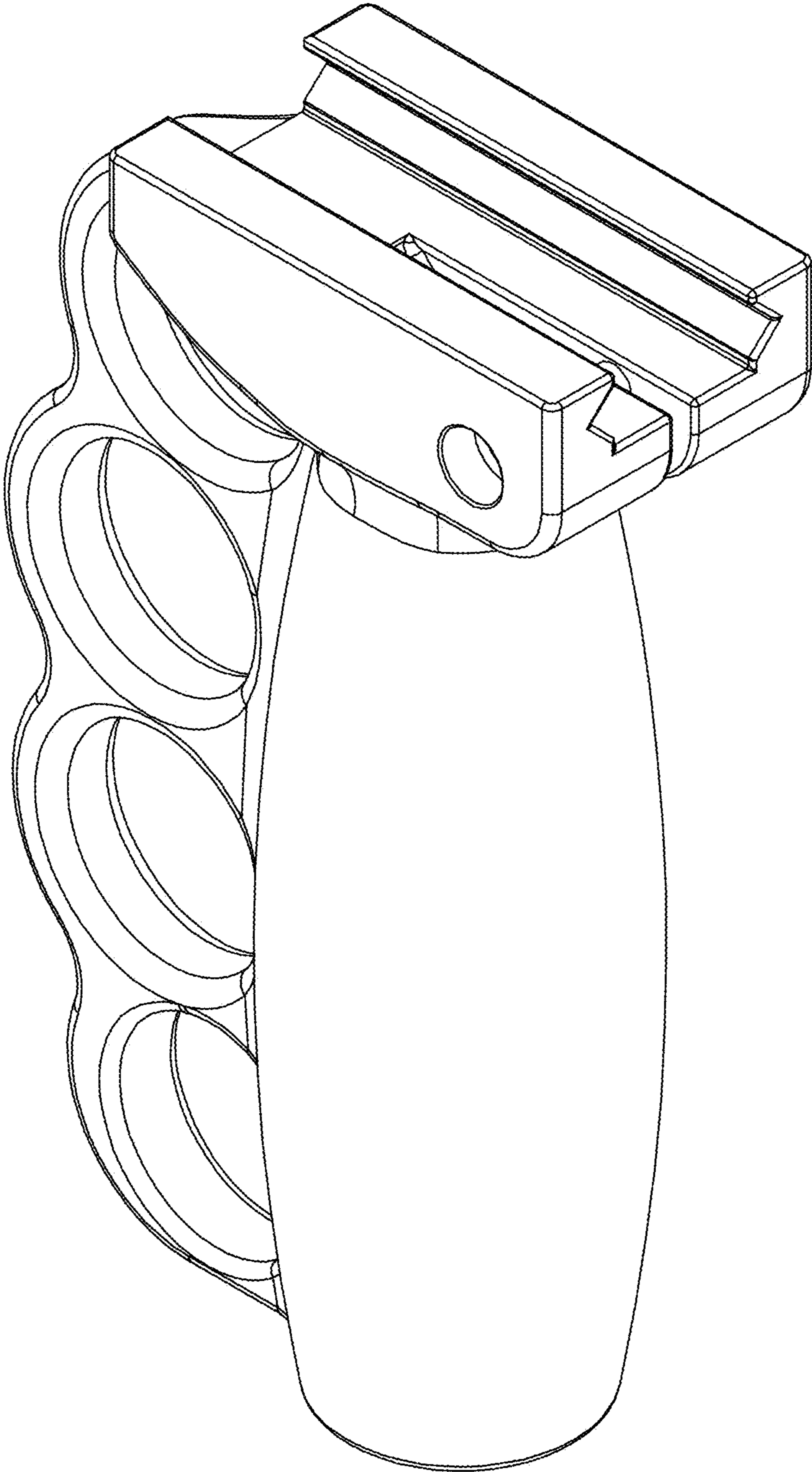


FIG. 1

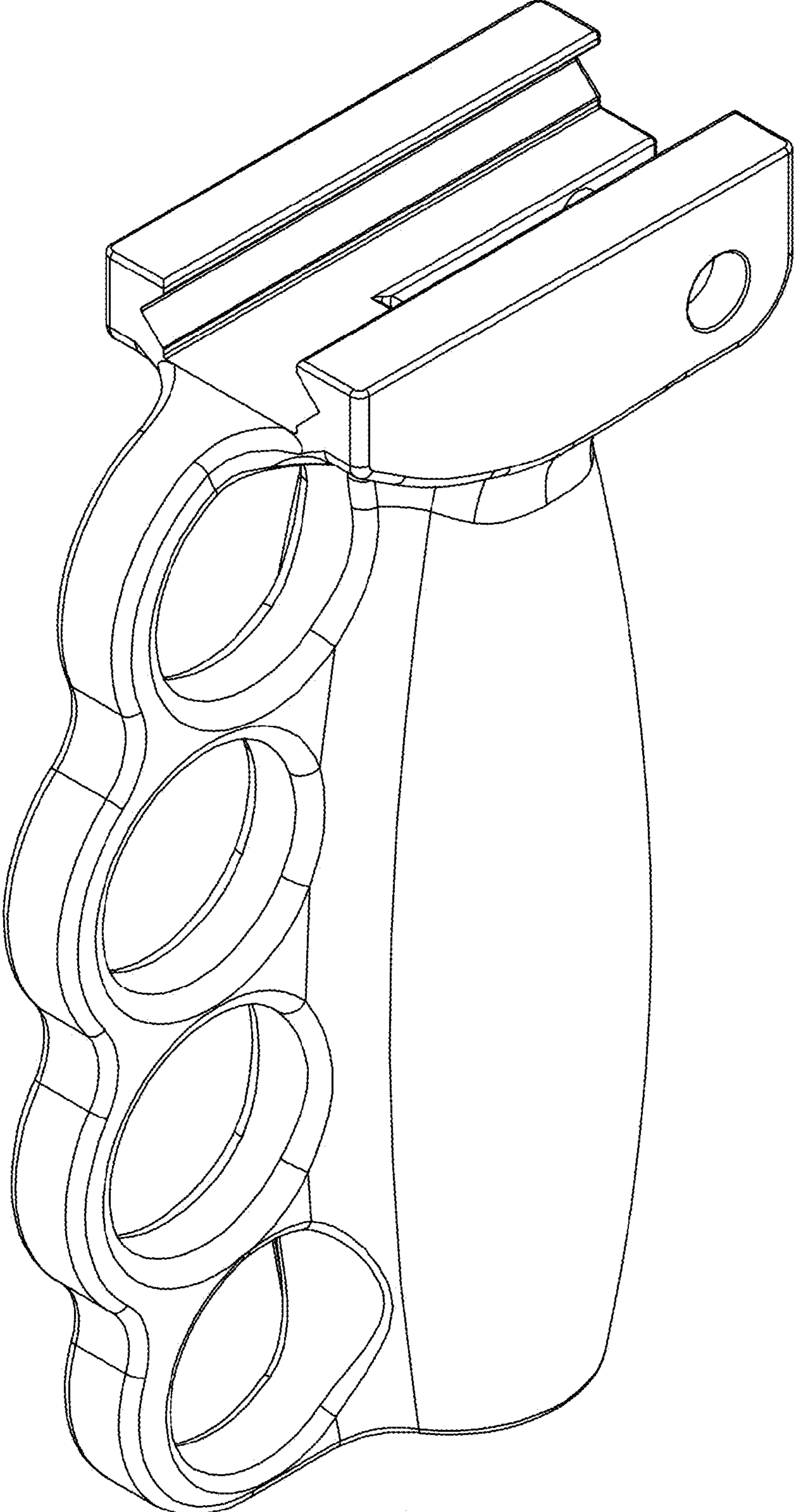


FIG. 2



FIG. 3



FIG. 4

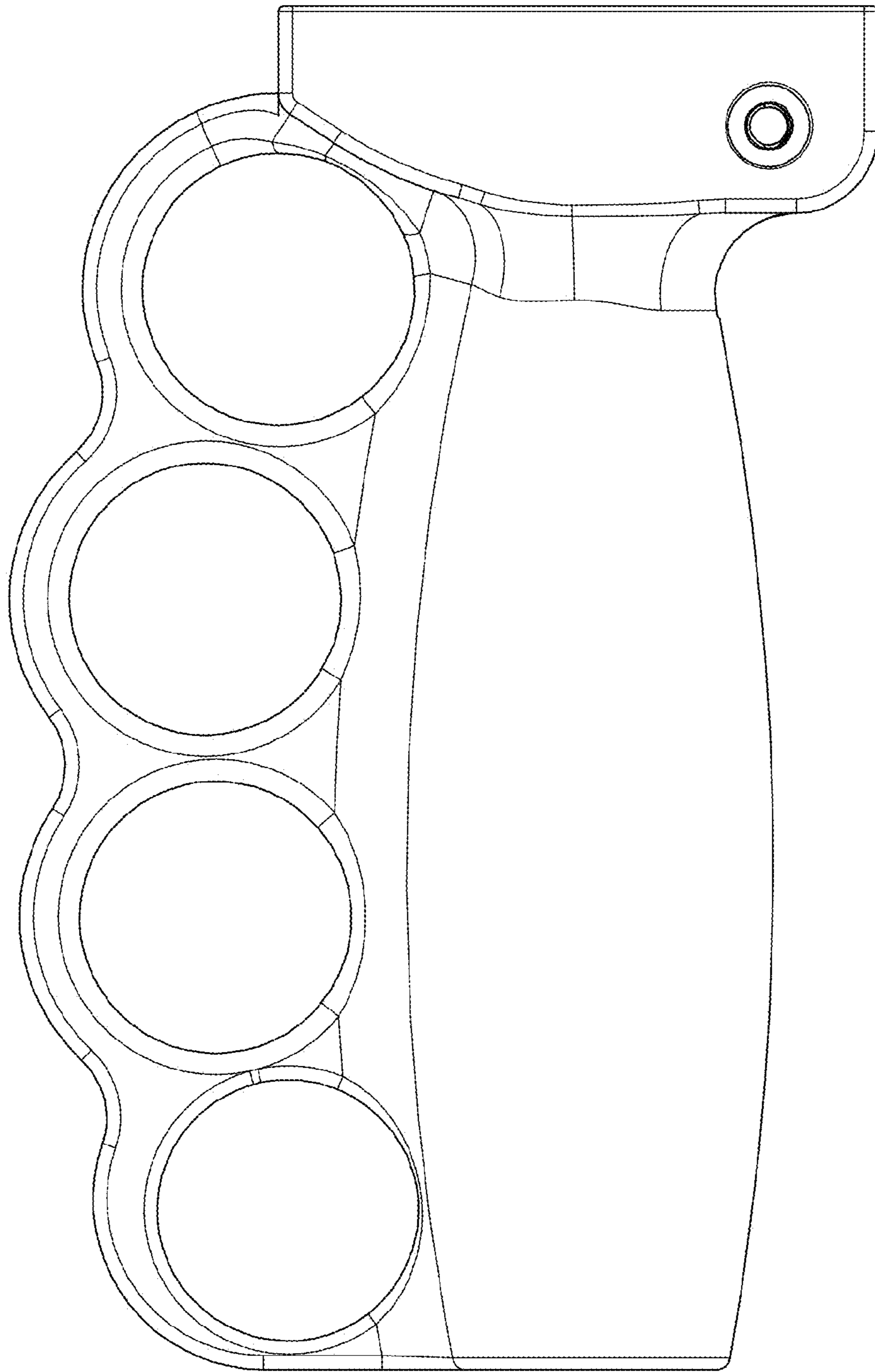


FIG. 5

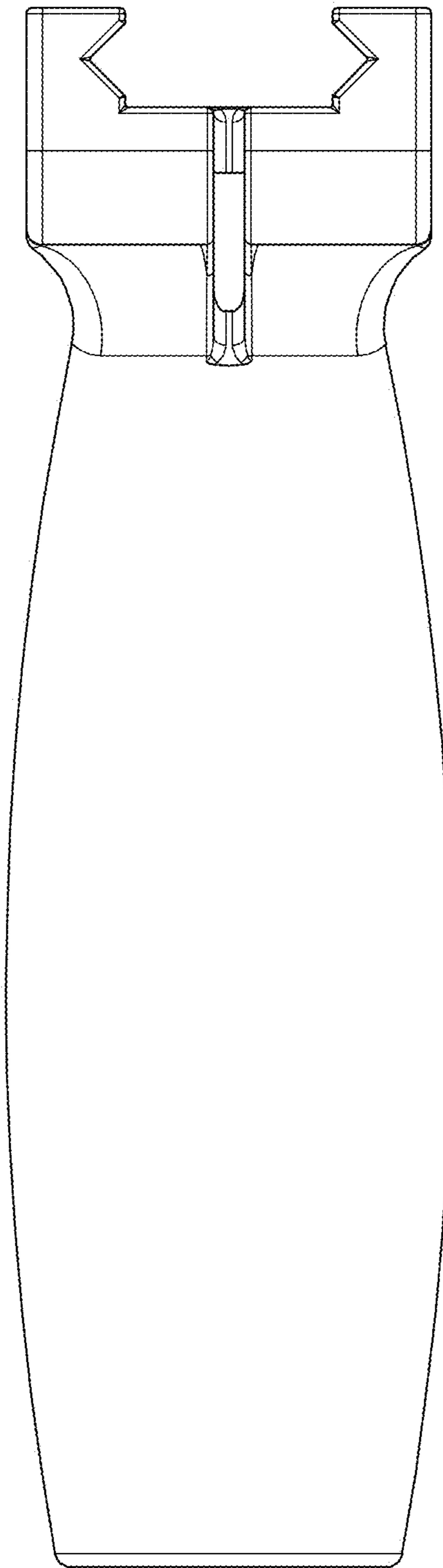


FIG. 6

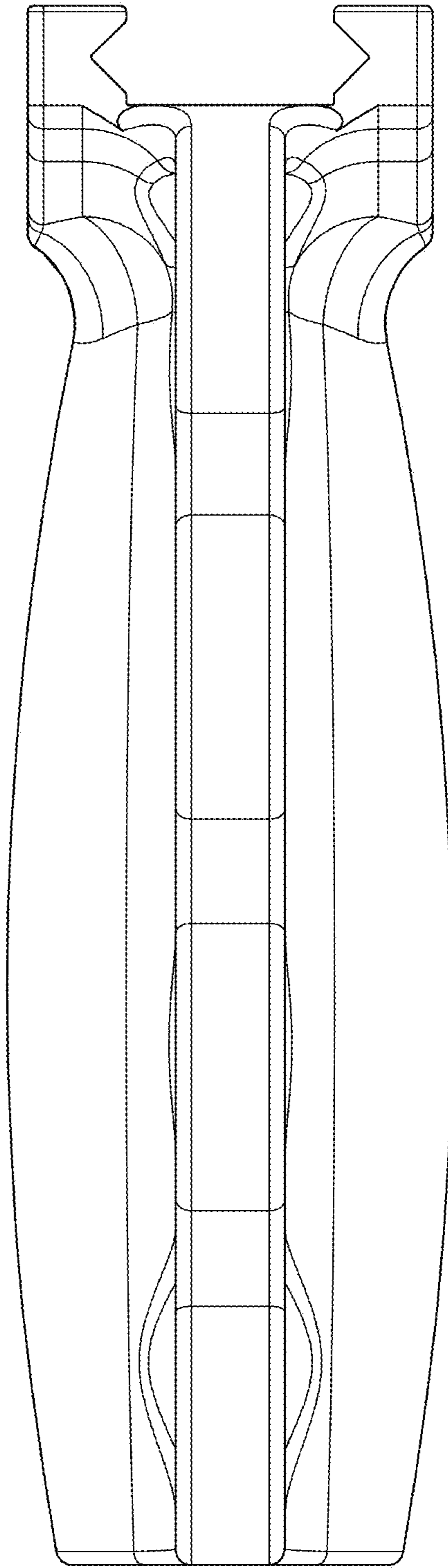


FIG. 7

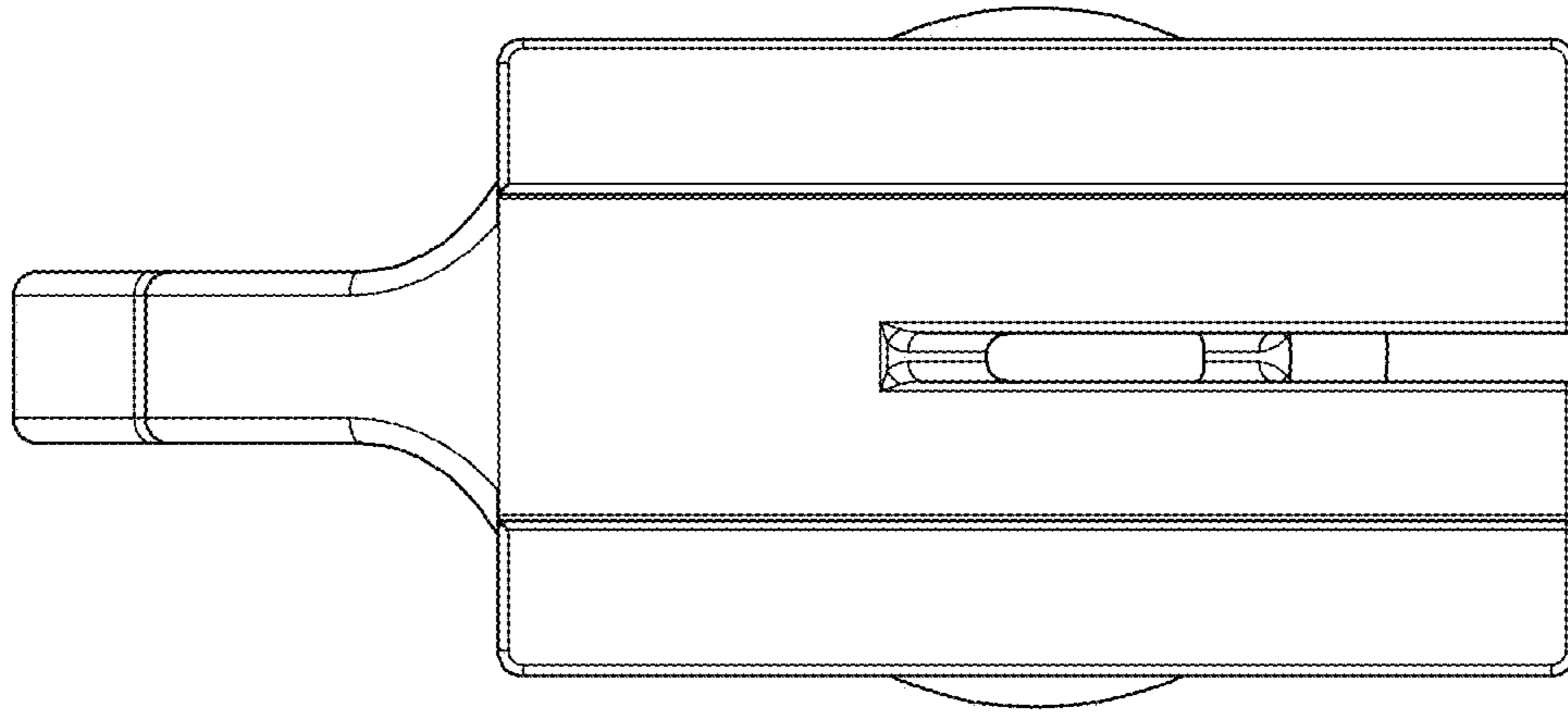


FIG. 8

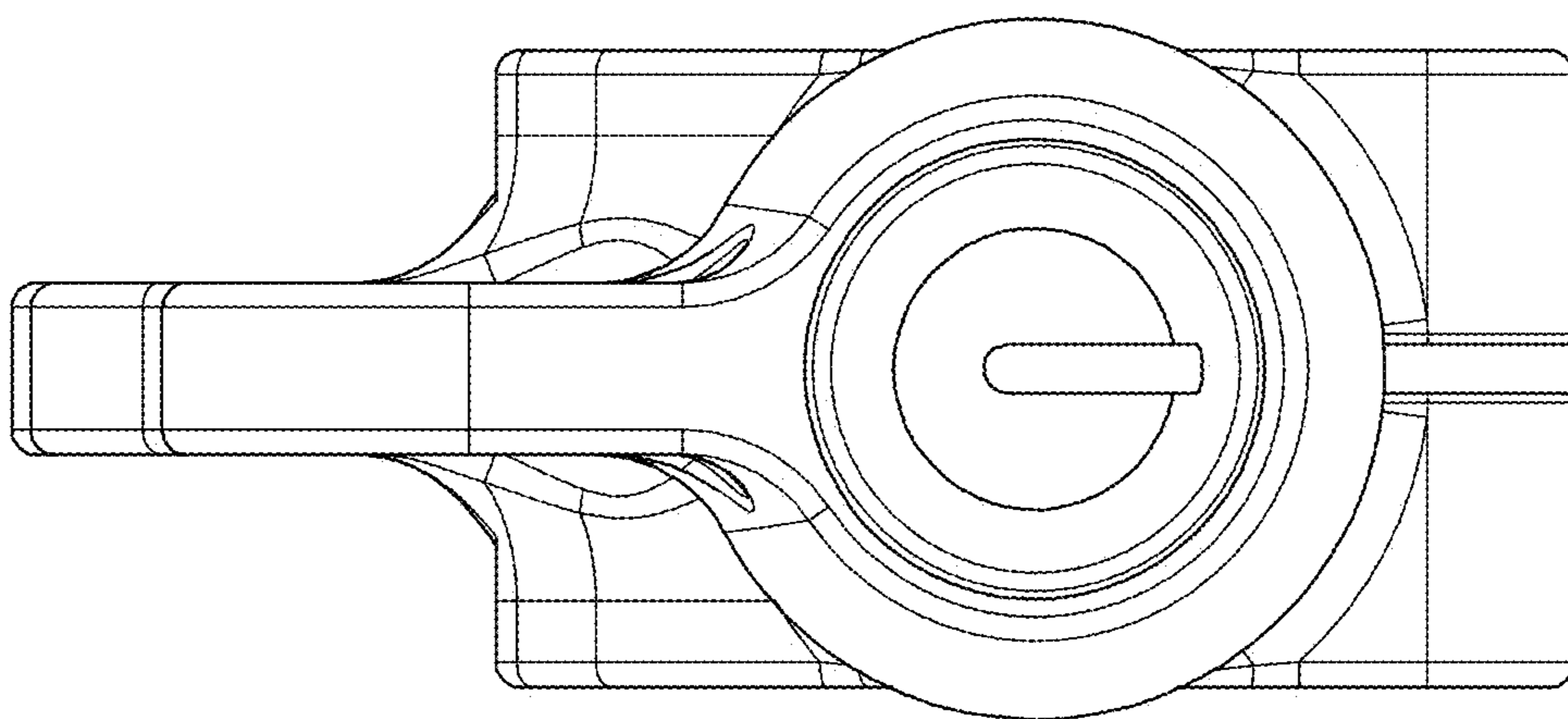


FIG. 9