



US00D728724S

(12) **United States Design Patent**
Bosco

(10) **Patent No.:** **US D728,724 S**

(45) **Date of Patent:** **** *May 5, 2015**

(54) **FOREARM-GRIPPING STABILIZING ATTACHMENT**

(71) Applicant: **Alessandro Roberto Bosco**, St. Petersburg, FL (US)

(72) Inventor: **Alessandro Roberto Bosco**, St. Petersburg, FL (US)

(*) Notice: This patent is subject to a terminal disclaimer.

(**) Term: **14 Years**

(21) Appl. No.: **29/471,194**

(22) Filed: **Oct. 29, 2013**

(51) **LOC (10) Cl.** **22-01**

(52) **U.S. Cl.**
USPC **D22/108**

(58) **Field of Classification Search**
CPC F41C 23/00; F41C 23/02; F41C 23/04; F41C 23/06; F41C 23/08; F41C 23/10; F41C 23/12; F41C 23/14; F41C 23/16; F41C 23/18; F41C 23/20; F41C 23/22; F41C 7/02; F41C 7/04; F41C 7/06; F41C 7/11; F41C 7/12
USPC D22/100, 101, 103, 104, 108; 42/51, 42/90, 71.01, 71.02, 73, 75.01, 75.02; 89/40.06, 37.04, 33.04; D21/572-573
See application file for complete search history.

(56) **References Cited**

U.S. PATENT DOCUMENTS

2,436,175 A 5/1942 Neal
3,162,966 A 12/1964 Coss
3,648,396 A 3/1972 Smith

3,685,194 A 8/1972 Coon
4,271,623 A 6/1981 Beretta
4,291,482 A 9/1981 Bresan
5,180,874 A 1/1993 Troncoso, Jr
6,016,620 A 1/2000 Morgan
6,651,371 B2 11/2003 Fitzpatrick
7,028,427 B2 4/2006 Crawford
8,091,264 B2 1/2012 Goertz
8,109,026 B1 2/2012 Bentley et al.
D706,896 S * 6/2014 Bosco D22/108
2014/0144061 A1 * 5/2014 Bosco 42/94

* cited by examiner

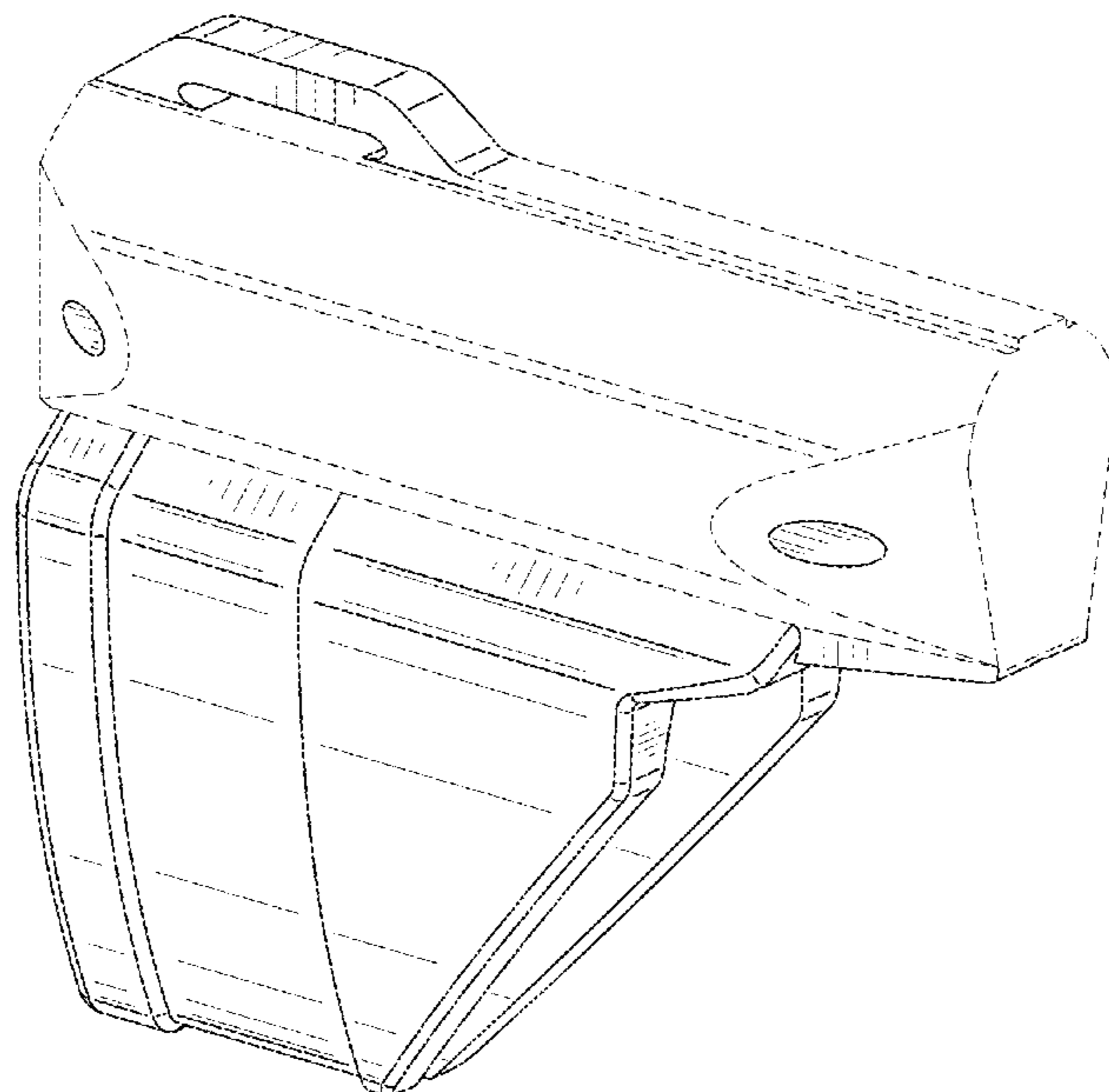
Primary Examiner — Michael A Pratt
(74) *Attorney, Agent, or Firm* — Maxey Law Offices, PLLC; Stephen Lewellyn

(57) **CLAIM**
The ornamental design for a forearm-gripping stabilizing attachment, as shown and described.

DESCRIPTION

FIG. 1 is a front perspective the forearm-gripping stabilizing attachment;
FIG. 2 is a rear perspective view of the forearm-gripping stabilizing attachment;
FIG. 3 is a front elevation view of the forearm-gripping stabilizing attachment;
FIG. 4 is a rear elevation view of the forearm-gripping stabilizing attachment;
FIG. 5 is a side elevation view of the forearm-gripping stabilizing attachment, the opposite side being a mirror image;
FIG. 6 is a top plan view of the forearm-gripping stabilizing attachment; and,
FIG. 7 is a bottom plan view the forearm-gripping stabilizing. The broken lines in FIGS. 1 through 7 are environmental structure only and form no part of the claimed design.

1 Claim, 5 Drawing Sheets



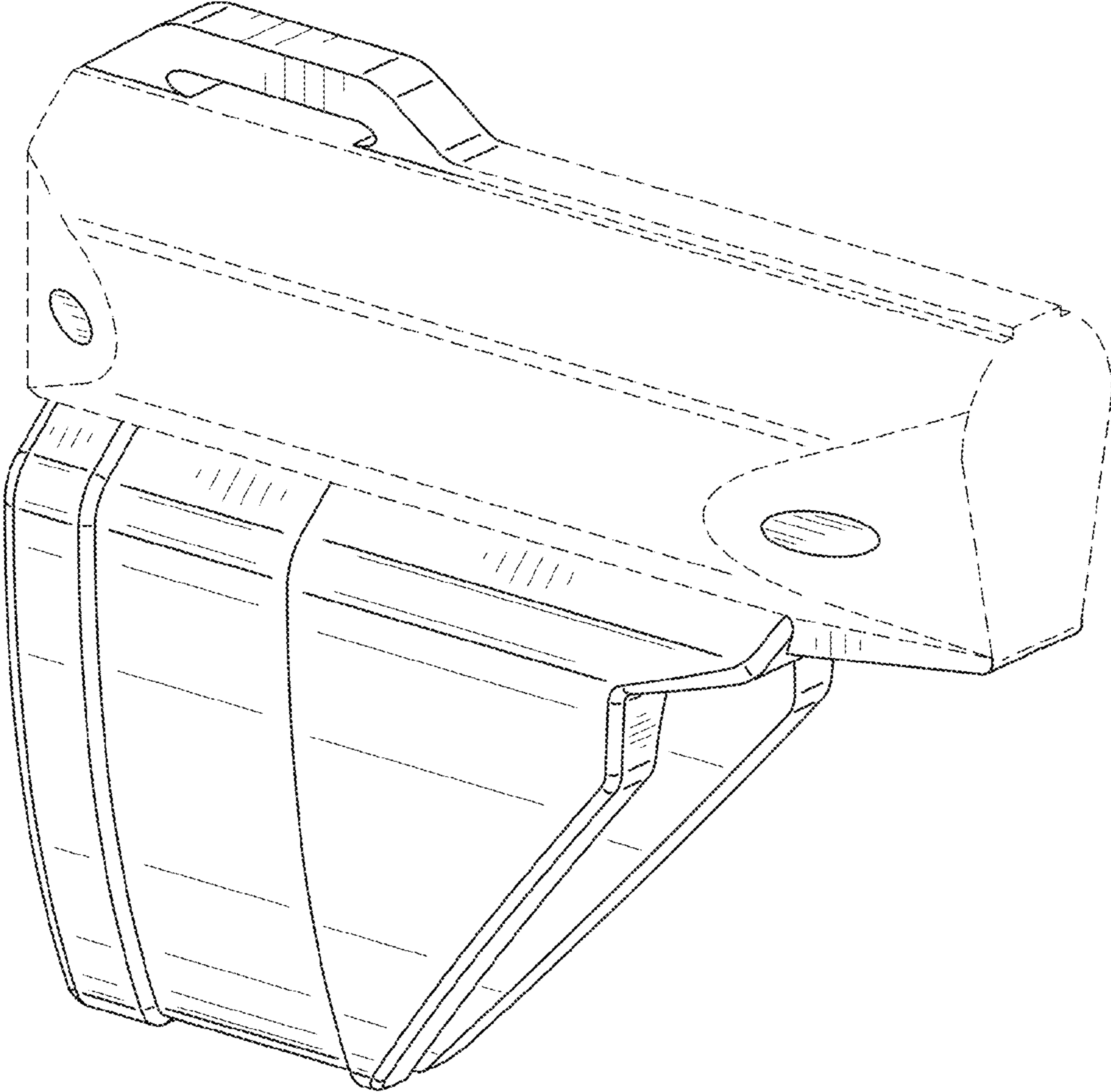


FIG. 1

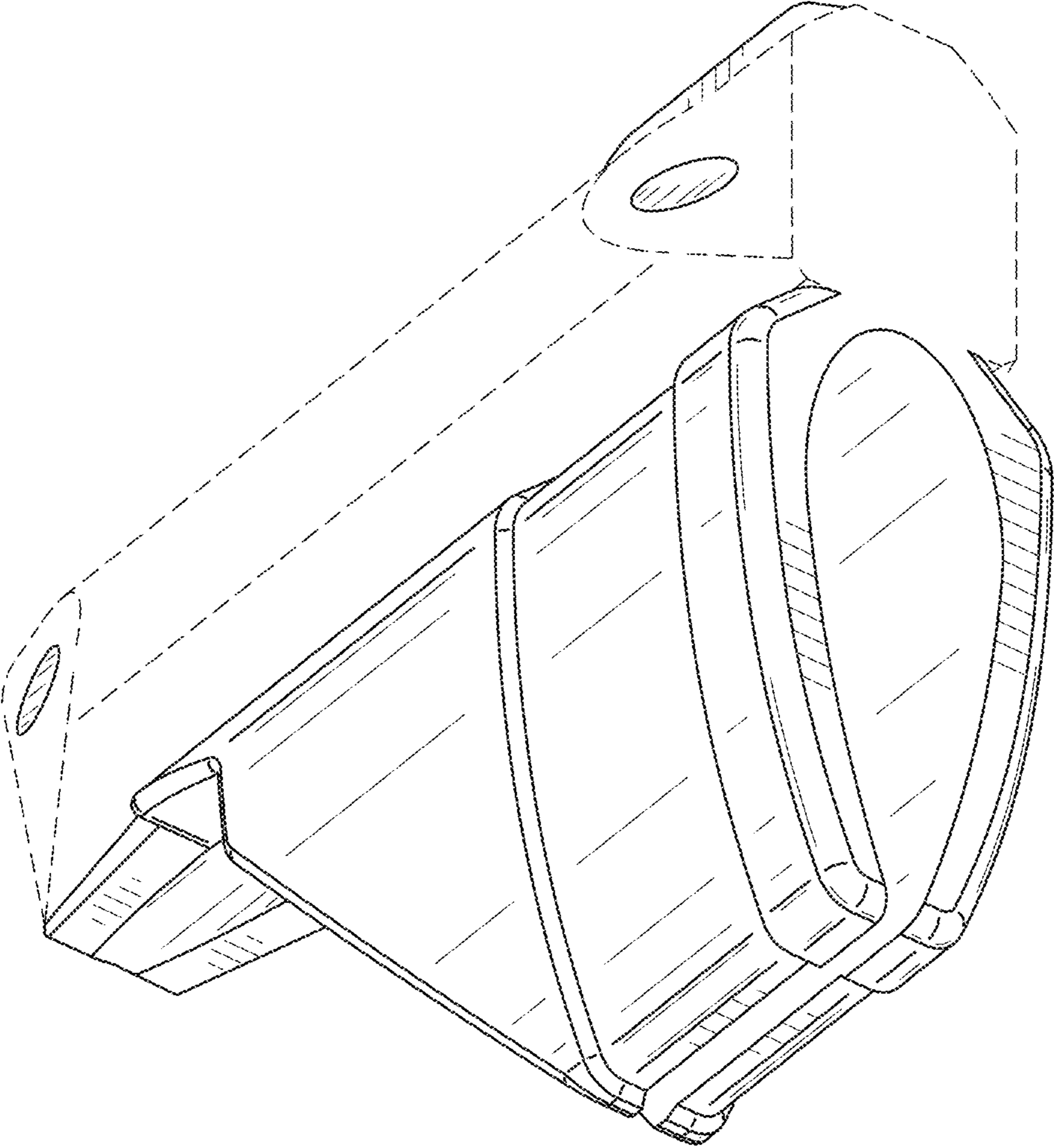


FIG. 2

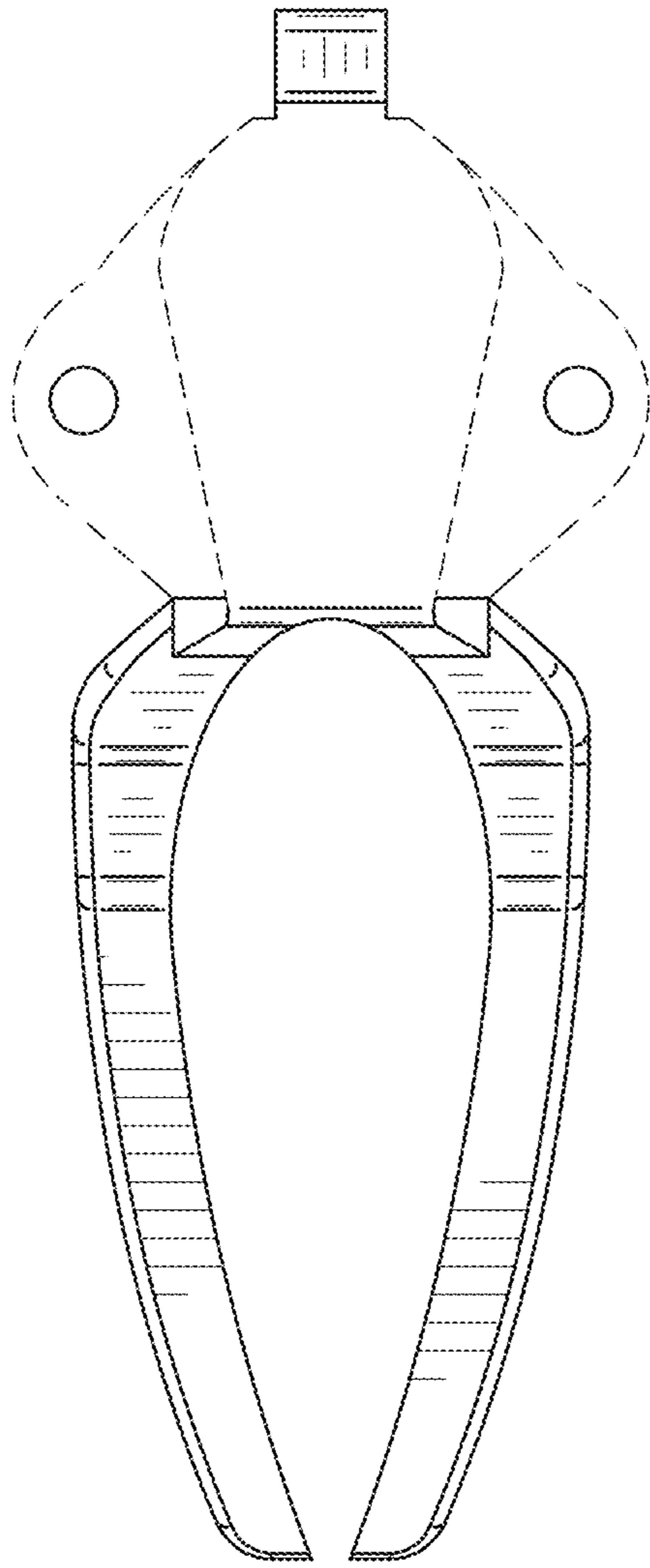


FIG. 3

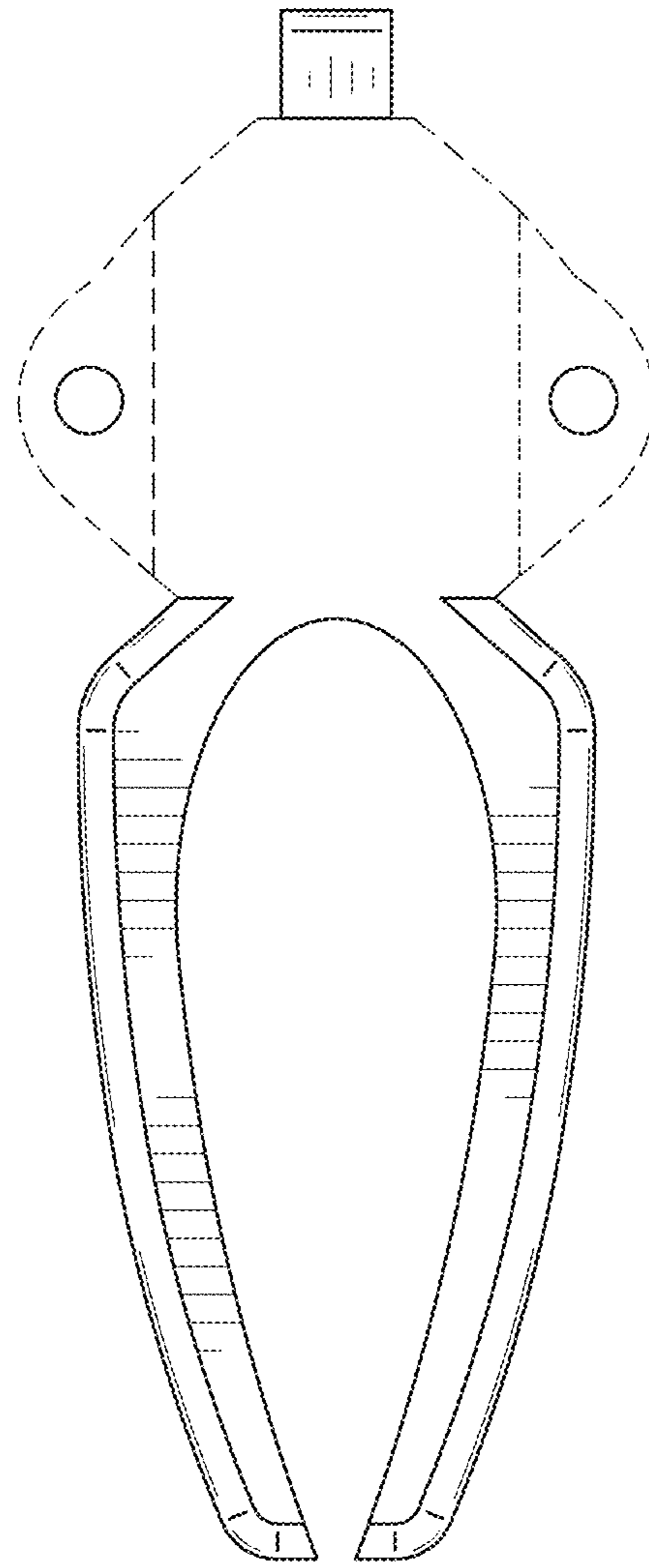


FIG. 4

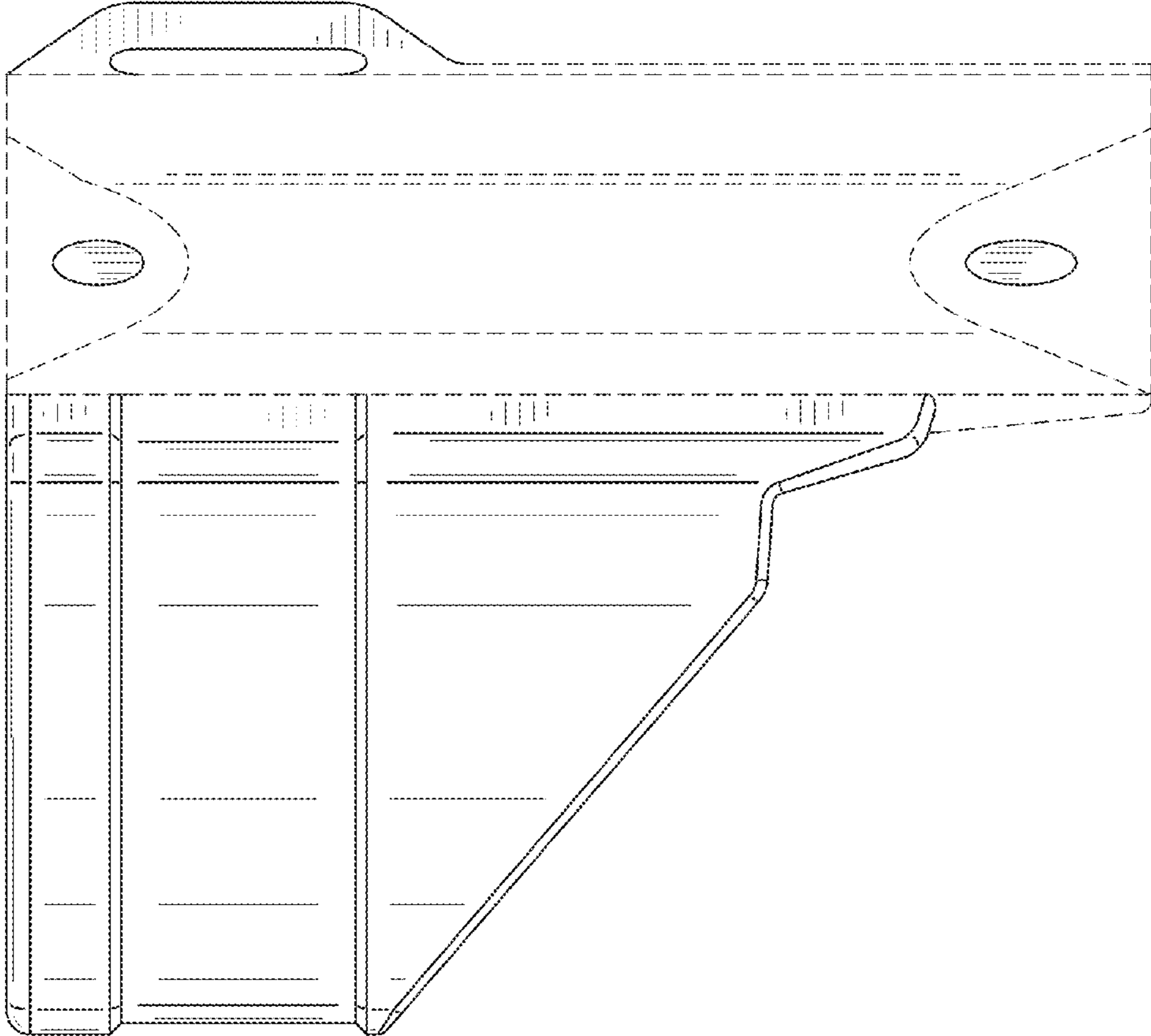


FIG. 5

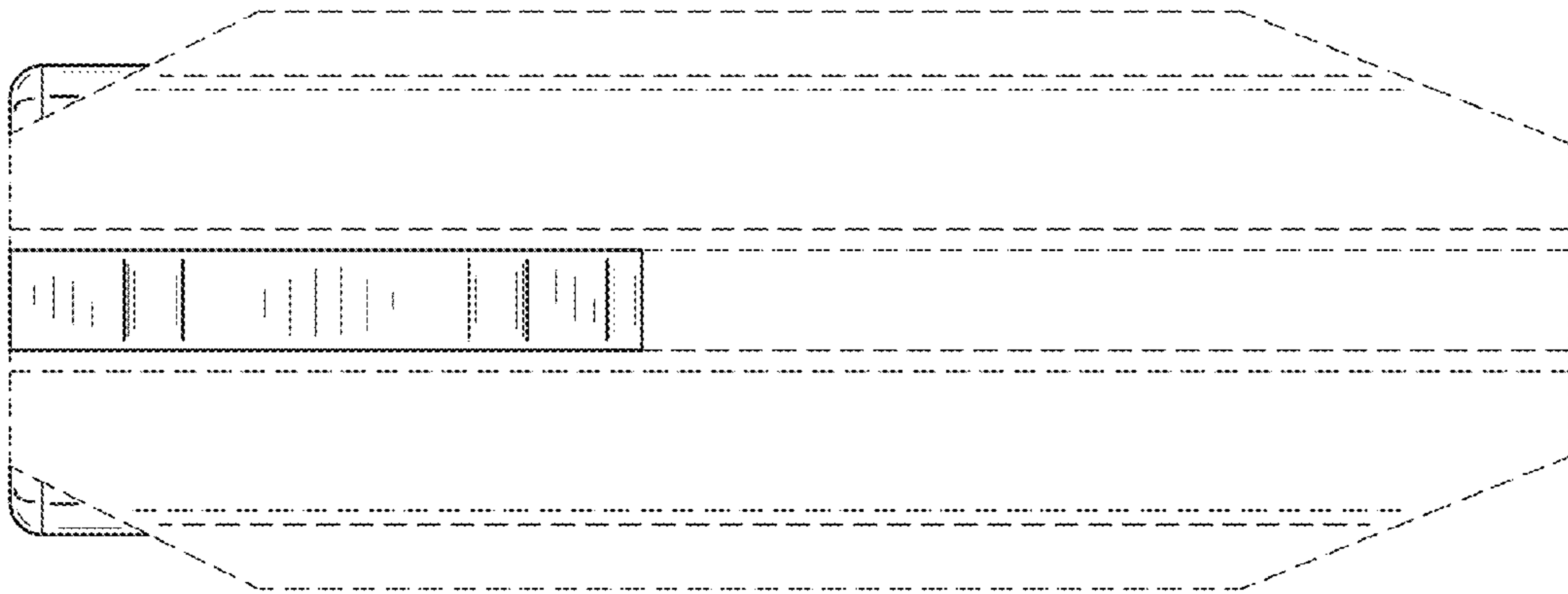


FIG. 6

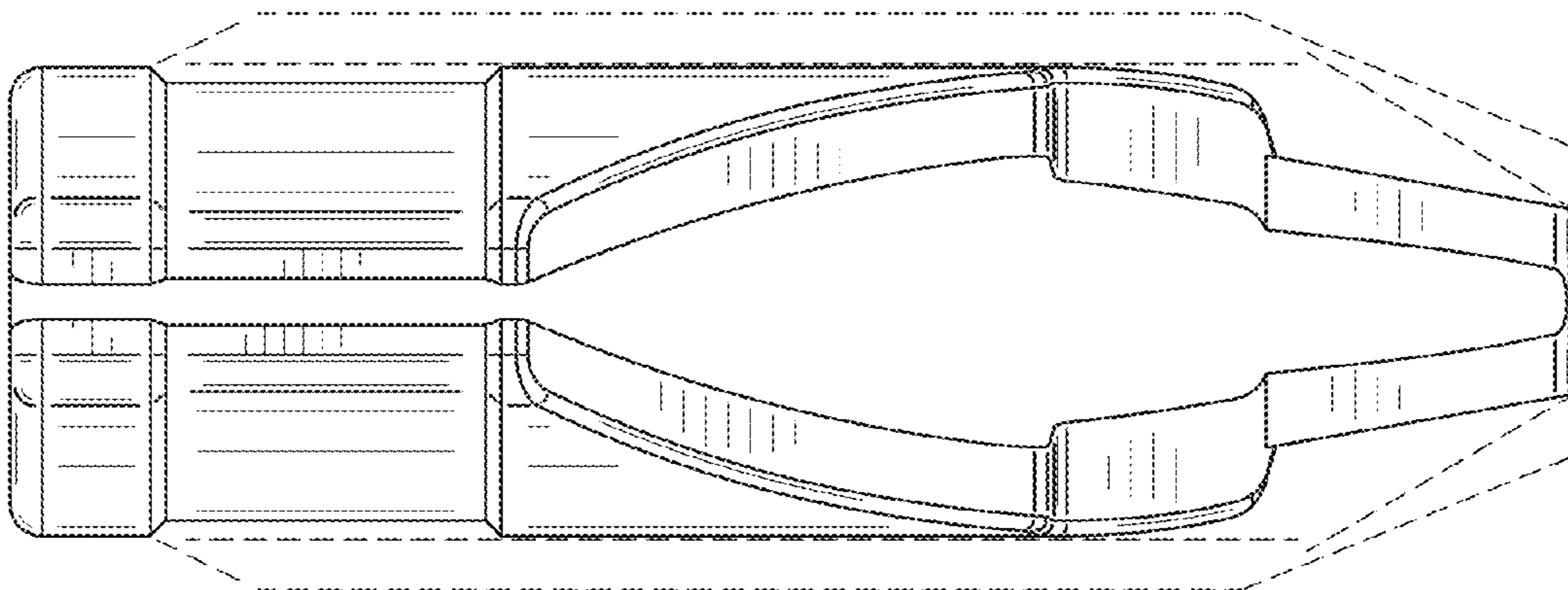


FIG. 7