



US00D728722S

(12) **United States Design Patent**  
**Peterson et al.**

(10) **Patent No.:** **US D728,722 S**

(45) **Date of Patent:** **\*\* May 5, 2015**

(54) **FOREND FOR MODULAR TACTICAL FIREARMS**

(71) Applicant: **Ashbury International Group, Inc.**,  
Ruckersville, VA (US)

(72) Inventors: **Morris Peterson**, Earlysville, VA (US);  
**Matthew Peterson**, Crozet, VA (US);  
**Charles Robert Overbey, Jr.**, Deland,  
FL (US); **Gary Vance**, Ruckersville, VA  
(US)

(73) Assignee: **Ashbury International Group, Inc.**,  
Ruckersville, VA (US)

(\*\*) Term: **14 Years**

(21) Appl. No.: **29/453,388**

(22) Filed: **Apr. 29, 2013**

(51) **LOC (10) Cl.** ..... **22-01**

(52) **U.S. Cl.**  
USPC ..... **D22/108**

(58) **Field of Classification Search**

CPC ..... F41C 7/00; F41C 7/11; F41C 7/12

USPC ..... D22/104, 108; 42/71.01; 124/67, 66,

124/72, 74; 89/40.06, 41.19, 37.04, 33.04,

89/191.01, 200-204; D21/572-575

See application file for complete search history.

(56) **References Cited**

**U.S. PATENT DOCUMENTS**

1,071,173 A 8/1913 Pedersen

1,196,822 A 9/1916 Sues

(Continued)

**FOREIGN PATENT DOCUMENTS**

DE 3743092 A1 7/1988

WO 2010004470 A1 1/2010

(Continued)

**OTHER PUBLICATIONS**

“JP MOR-07 Manually Operated Rifle”, available at <http://www.jp Rifles.com/1.2.6.php> (last visited Apr. 2, 2010).

(Continued)

*Primary Examiner* — Michael A Pratt

(74) *Attorney, Agent, or Firm* — Lee & Hayes, PLLC;  
Robert R. Elliot, Jr.

(57) **CLAIM**

The ornamental design for a forend for modular tactical fire-  
arms, as shown and described.

**DESCRIPTION**

FIG. 1 illustrates a right, rear perspective view of a new design  
for a forend for modular tactical firearms;

FIG. 2 illustrates a rear view of a new design for a forend for  
modular tactical firearms;

FIG. 3 illustrates a front view of a new design for a forend for  
modular tactical firearms;

FIG. 4 illustrates a right view of a new design for a forend for  
modular tactical firearms;

FIG. 5 illustrates a left view of a new design for a forend for  
modular tactical firearms;

FIG. 6 illustrates a top view of a new design for a forend for  
modular tactical firearms;

FIG. 7 illustrates a bottom view of a new design for a forend  
for modular tactical firearms;

FIG. 8 illustrates another right, rear perspective view of a new  
design for a forend for modular tactical firearms;

FIG. 9 illustrates another rear view of a new design for a  
forend for modular tactical firearms;

FIG. 10 illustrates another front view of a new design for a  
forend for modular tactical firearms;

FIG. 11 illustrates another right view of a new design for a  
forend for modular tactical firearms;

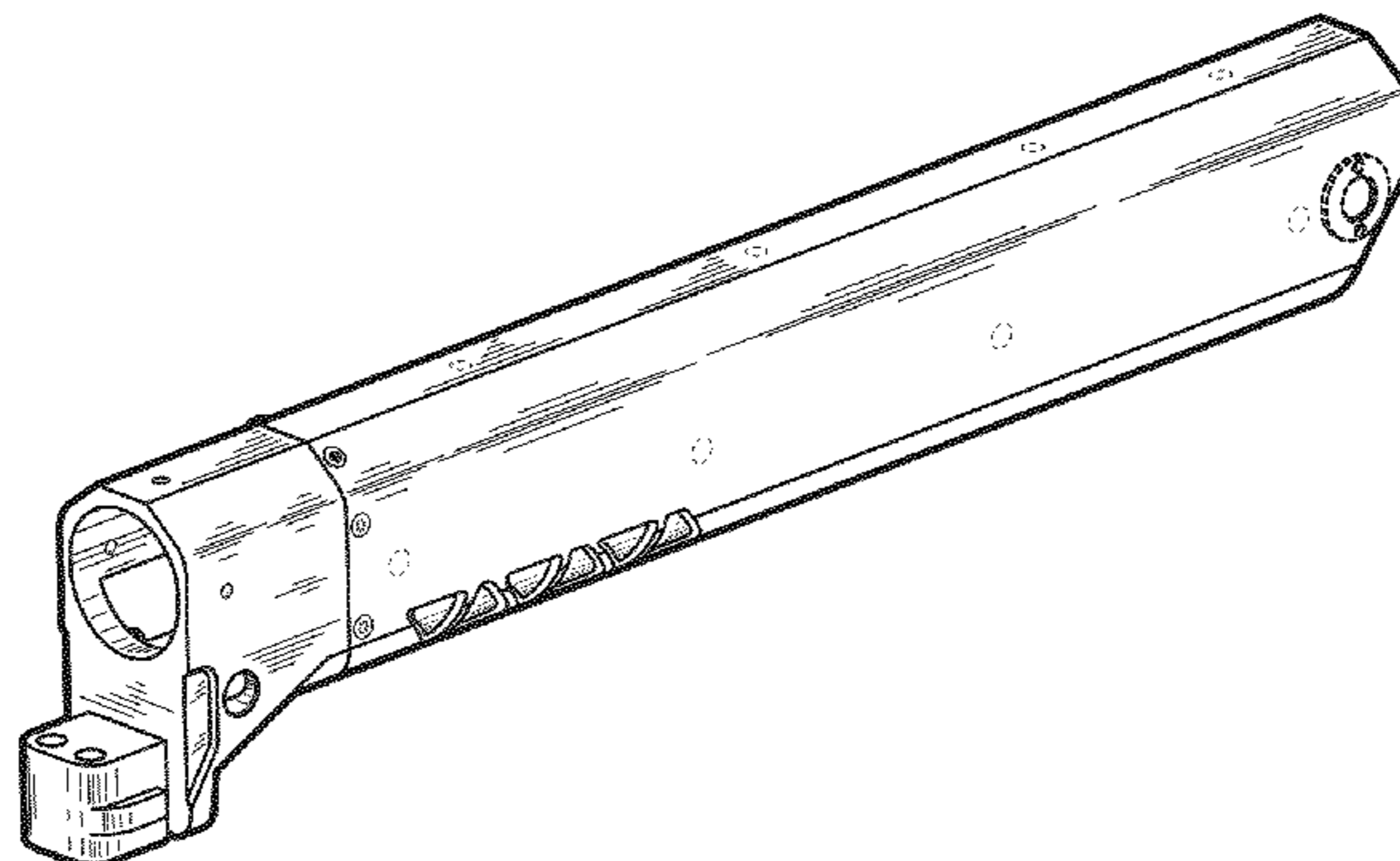
FIG. 12 illustrates another left view of a new design for a  
forend for modular tactical firearms;

FIG. 13 illustrates another top view of a new design for a  
forend for modular tactical firearms; and,

FIG. 14 illustrates another bottom view of a new design for a  
forend for modular tactical firearms.

The broken, dashed lines shown in the various figures depict-  
ing embodiments of the invention are included for the pur-  
pose of illustrating environment and do not form any part of  
the claimed design.

**1 Claim, 14 Drawing Sheets**



(56)

## References Cited

## U.S. PATENT DOCUMENTS

1,271,582 A	7/1918	Kern	5,711,102 A	1/1998	Plaster et al.
1,473,436 A	11/1923	Leopold	D391,334 S	2/1998	Plaster et al.
2,141,537 A	12/1938	Laloux	5,813,158 A	9/1998	Campbell et al.
2,288,901 A	7/1942	Green	5,822,905 A	10/1998	Teetzal et al.
2,293,128 A	8/1942	Fortin	D403,043 S	12/1998	Spekner
2,339,331 A	1/1944	Grigg	5,900,577 A	5/1999	Robinson et al.
2,386,802 A	10/1945	Johnson Jr.	5,903,995 A	5/1999	Brubach
2,387,691 A	10/1945	Sunderland	5,987,797 A	11/1999	Dustin
2,462,091 A	2/1949	Garand	6,019,024 A	2/2000	Robinson et al.
2,497,861 A	2/1950	Brown, Jr.	6,212,814 B1	4/2001	Lambie
2,589,912 A	3/1952	Weld	6,293,040 B1	9/2001	Luth
2,717,465 A	9/1955	Clark Jr. et al.	6,298,040 B1	10/2001	Aoyagi et al.
2,780,145 A	2/1957	Saive	6,470,617 B1	10/2002	Gregory et al.
2,807,113 A	9/1957	Ivy	6,487,805 B1	12/2002	Reynolds
3,198,076 A	8/1965	Stoner	6,497,065 B1	12/2002	Huston
3,209,481 A	10/1965	Gilbert	6,591,533 B2	7/2003	Wygant
3,256,632 A	6/1966	Carlo	6,598,329 B1	7/2003	Alexander
3,323,246 A	6/1967	Loffler	6,598,330 B2	7/2003	Garrett et al.
3,369,316 A	2/1968	Miller	6,622,416 B2	9/2003	Kim
3,380,182 A	4/1968	Browning	6,637,142 B1	10/2003	Reynolds
3,448,486 A	6/1969	Wright	6,642,681 B2	11/2003	Kawabata et al.
3,512,290 A	5/1970	Violette, Jr. et al.	6,694,660 B1	2/2004	Davies
3,543,428 A	12/1970	Bronson	6,779,289 B2	8/2004	Kay
3,618,249 A	11/1971	Grandy	6,836,990 B2	1/2005	Shiloni
3,739,515 A	6/1973	Koon	6,838,998 B1	1/2005	Brown
3,776,095 A	12/1973	Atchisson	6,839,998 B1	1/2005	Armstrong
3,823,248 A	7/1974	Christie et al.	6,848,351 B1	2/2005	Davies
3,830,003 A	8/1974	Clerke	6,889,463 B2	5/2005	Orth
3,969,788 A	7/1976	McCullough	6,895,708 B2	5/2005	Kim et al.
3,999,461 A	12/1976	Johnson et al.	6,925,744 B2	8/2005	Kincel
4,051,455 A	9/1977	Fowler	6,931,775 B2	8/2005	Burnett
4,109,403 A	8/1978	Badali	D510,401 S	10/2005	Murello et al.
4,203,244 A	5/1980	Hickman	7,024,812 B2	4/2006	Nelson
4,271,623 A	6/1981	Beretta	7,131,228 B2	11/2006	Hochstrate et al.
4,296,566 A	10/1981	Campos	7,152,355 B2	12/2006	Fitzpatrick et al.
4,383,384 A	5/1983	Fox	7,152,365 B2	12/2006	Wyers
4,402,152 A	9/1983	Casull	7,162,823 B2	1/2007	Schoppman et al.
4,430,822 A	2/1984	Fromming et al.	7,200,966 B2	4/2007	Gooder
4,651,455 A	3/1987	Geiser	7,216,451 B1	5/2007	Troy
4,651,456 A	3/1987	Ghisoni	7,231,861 B1	6/2007	Gauny et al.
4,651,465 A	3/1987	Lilly	7,243,454 B1	7/2007	Cahill
4,674,210 A	6/1987	Baeger et al.	7,313,883 B2	1/2008	Leitner-Wise
4,674,216 A	6/1987	Ruger et al.	7,325,351 B1	2/2008	Leung
4,674,218 A	6/1987	Bottomley	7,338,288 B1	3/2008	Kung et al.
4,685,237 A	8/1987	Hugg	RE40,216 E	4/2008	Swan
4,691,462 A	9/1987	Mattarelli	7,363,740 B2	4/2008	Kincel
4,700,095 A	10/1987	Kawakami	7,363,741 B2	4/2008	DeSomma et al.
4,735,007 A	4/1988	Gal	7,386,952 B1	6/2008	Henretty
4,766,800 A	8/1988	Miller et al.	7,428,795 B2	9/2008	Herring
D297,855 S	9/1988	Ruger et al.	7,458,179 B2	12/2008	Swan
4,790,095 A	12/1988	Campos	7,464,495 B2	12/2008	Cahill
4,864,761 A	9/1989	Gregory	7,523,580 B1	4/2009	Tankersley
D304,223 S	10/1989	Ruger et al.	7,525,203 B1	4/2009	Racho
4,885,237 A	12/1989	Evans et al.	7,574,823 B2	8/2009	Nakayama
4,887,374 A	12/1989	Santarossa	D603,013 S	10/2009	Fitzpatrick et al.
4,920,677 A	5/1990	Schuerman	7,614,174 B1	11/2009	Beltz
4,944,109 A	7/1990	Zedrosser	D606,614 S	12/2009	Fitzpatrick et al.
5,020,260 A	6/1991	Houghton	7,627,975 B1	12/2009	Hines
5,048,215 A	9/1991	Davis	7,640,690 B2	1/2010	Hines
5,068,992 A	12/1991	Velezis et al.	D614,723 S *	4/2010	Bentley ..... D22/109
D324,557 S	3/1992	Livingston	7,775,150 B2	8/2010	Hochstrate et al.
5,149,899 A	9/1992	Dabrowski	7,819,547 B1	10/2010	Teetzal et al.
5,173,564 A	12/1992	Hammond	7,841,120 B2	11/2010	Teetzal et al.
5,198,600 A	3/1993	E'Nama	D629,062 S *	12/2010	Peterson et al. .... D22/103
5,209,215 A	5/1993	Morrison	7,866,083 B2	1/2011	Teetzal
5,247,758 A	9/1993	Mason	7,938,055 B2	5/2011	Hochstrate et al.
5,343,650 A	9/1994	Swan	7,975,419 B2	7/2011	Darian
5,417,002 A	5/1995	Guerra	D643,086 S *	8/2011	Peterson et al. .... D22/103
5,440,963 A	8/1995	Szecsei	8,001,715 B2	8/2011	Stokes
5,448,847 A	9/1995	Teetzal	D645,532 S *	9/2011	Peterson et al. .... D22/103
5,481,819 A	1/1996	Teetzal et al.	8,091,265 B1	1/2012	Teetzal et al.
5,555,662 A	9/1996	Teetzal et al.	8,100,044 B1	1/2012	Teetzal et al.
5,590,484 A	1/1997	Mooney et al.	8,104,211 B2	1/2012	Darian
5,642,581 A	7/1997	Herold et al.	8,117,958 B2	2/2012	Hochstrate et al.
5,669,174 A	9/1997	Teetzal et al.	8,141,288 B2	3/2012	Dodd et al.
			D657,841 S *	4/2012	Peterson et al. .... D22/108
			8,220,946 B1	7/2012	Teetzal
			8,225,544 B2	7/2012	Darian
			8,234,808 B2	8/2012	Lewis et al.

(56)

References Cited

U.S. PATENT DOCUMENTS

8,322,064 B2 12/2012 Cabahug et al.  
 8,443,539 B2 5/2013 Cabahug et al.  
 8,448,368 B2 5/2013 Cabahug et al.  
 8,490,313 B2 7/2013 Frascati et al.  
 8,505,433 B2 8/2013 Hochstrate et al.  
 8,516,731 B2 8/2013 Cabahug et al.  
 8,540,372 B2 9/2013 Coleman et al.  
 8,561,337 B2 10/2013 Lewis et al.  
 8,561,518 B2 10/2013 Teetzel et al.  
 8,635,798 B2 1/2014 Mulfinger  
 8,640,372 B2 2/2014 Hochstrate et al.  
 8,656,622 B2\* 2/2014 Peterson et al. .... 42/75.03  
 2003/0051385 A1 3/2003 Wygant  
 2003/0066226 A1 4/2003 Martin  
 2003/0110675 A1 6/2003 Garrett  
 2003/0230022 A1 12/2003 Battaglia  
 2004/0211104 A1 10/2004 Eberle  
 2004/0226212 A1 11/2004 Shiloni  
 2005/0000142 A1 1/2005 Kim et al.  
 2005/0010749 A1 1/2005 Zomaya et al.  
 2005/0011101 A1 1/2005 Gooder  
 2005/0115140 A1 6/2005 Little  
 2005/0115398 A1 6/2005 Olson  
 2005/0183317 A1 8/2005 Finn  
 2005/0229466 A1 10/2005 Muhlestein  
 2005/0236582 A1 10/2005 Nakatsu  
 2005/0241211 A1 11/2005 Swan  
 2005/0262752 A1 12/2005 Robinson et al.  
 2006/0010748 A1 1/2006 Stoner et al.  
 2006/0010749 A1 1/2006 Kincel  
 2006/0026883 A1 2/2006 Hochstrate et al.  
 2006/0064913 A1 3/2006 Gablowski  
 2006/0174532 A1 8/2006 Popikow  
 2006/0207152 A1\* 9/2006 Lazor ..... 42/71.01  
 2006/0236582 A1 10/2006 Lewis et al.  
 2006/0242880 A1 11/2006 Griffin  
 2006/0254111 A1 11/2006 Giauque et al.  
 2006/0277810 A1 12/2006 Leitner-Wise  
 2006/0283067 A1 12/2006 Herring  
 2007/0006509 A1 1/2007 DeSomma  
 2007/0033851 A1 2/2007 Hochstrate et al.  
 2007/0039225 A1 2/2007 Kallio et al.  
 2007/0056202 A1 3/2007 Oz  
 2007/0089347 A1 4/2007 Webber et al.  
 2007/0130817 A1 6/2007 Ballard  
 2007/0199225 A1 8/2007 Haugen  
 2007/0199435 A1 8/2007 Hochstrate et al.  
 2008/0000128 A1 1/2008 Newman  
 2008/0007477 A1 1/2008 Ricks  
 2008/0028662 A1 2/2008 Abraham et al.  
 2008/0092422 A1 4/2008 Daniel  
 2008/0130817 A1 6/2008 Tashiro et al.  
 2008/0168695 A1 7/2008 Nakayama  
 2008/0190005 A1 8/2008 Rohrauer  
 2008/0216377 A1 9/2008 Rohrauer  
 2008/0236017 A1 10/2008 Fitzpatrick et al.  
 2009/0007477 A1 1/2009 Robinson et al.  
 2009/0013580 A1 1/2009 Houde-Walter  
 2009/0031605 A1 2/2009 Robinson  
 2009/0031607 A1 2/2009 Robinson et al.  
 2009/0249673 A1 10/2009 Zedrosser  
 2009/0277066 A1 11/2009 Burt et al.  
 2009/0277067 A1 11/2009 Gregg  
 2009/0288324 A1 11/2009 Peterson et al.  
 2009/0300963 A1 12/2009 Hines

2009/0313875 A1 12/2009 Hines  
 2010/0031552 A1 2/2010 Houde-Walter  
 2010/0037505 A1 2/2010 Romer  
 2010/0083553 A1 4/2010 Montgomery  
 2010/0192446 A1 8/2010 Darian  
 2010/0192448 A1 8/2010 Darian  
 2010/0218410 A1 9/2010 Cabahug et al.  
 2010/0242332 A1 9/2010 Teetzel et al.  
 2011/0000120 A1 1/2011 Thompson  
 2011/0306251 A1 12/2011 Mulfinger et al.  
 2012/0043381 A1 2/2012 Teetzel et al.  
 2012/0180364 A1 7/2012 Berntsen et al.  
 2013/0047482 A1 2/2013 Mulfinger  
 2013/0061504 A1 3/2013 Malherbe  
 2014/0059911 A1 3/2014 Oh et al.

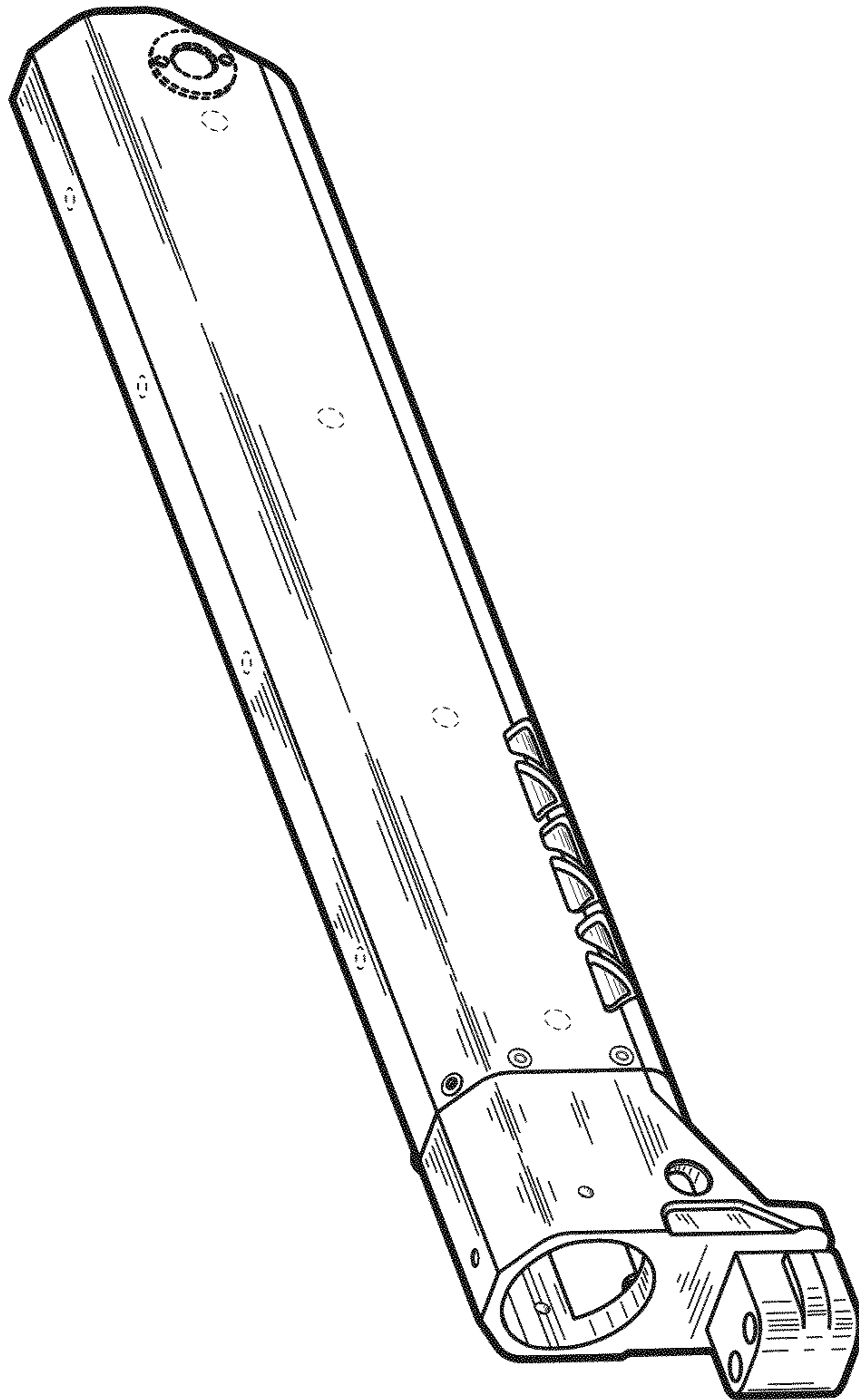
FOREIGN PATENT DOCUMENTS

WO 2010107324 A1 9/2010  
 WO 2011079233 A3 11/2011

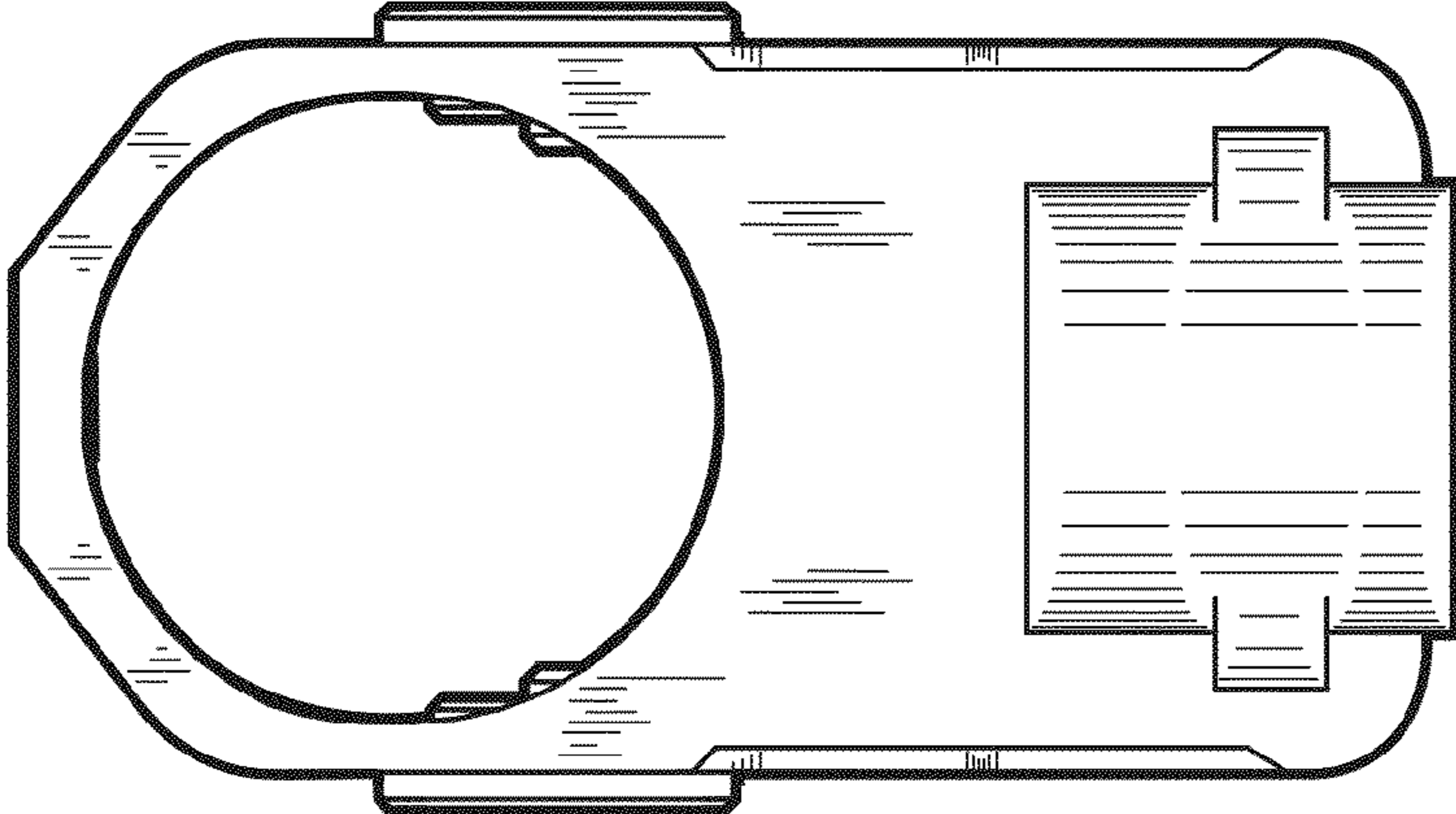
OTHER PUBLICATIONS

“MBAR”, available at <http://www.haloarms.com/MBAR.html> (last visited Apr. 2, 2010).  
 “MP-MODSS (McreesPrecision Modular Stock System)”, available at <http://www.mcreesprecision.net/index.htm> (last visited Apr. 2, 2010).  
 “A.R.M.S. #50 M-CV, and #58 M-CV MOD SIR System”, available at <http://www.armsmounts.com/manuals/50M-CV%20Manual.pdf> (last visited Apr. 9, 2010).  
 “AW Rifle System”, Sales Brochure, Accuracy International Ltd., available at [i. http://www.accuracyinternational.com/assets/assets/aw\\_brochure.pdf](http://www.accuracyinternational.com/assets/assets/aw_brochure.pdf).  
 “AICS (Accuracy International Chassis System) Upgrade Kit for Remington 700”, Sales Brochure, Accuracy International Ltd., available at [http://www.accuracyinternational.com/assets/assets/aics\\_brochure.pdf](http://www.accuracyinternational.com/assets/assets/aics_brochure.pdf).  
 “Timberwolf 338 Lapua”, Webpage, Jun. 7, 2007, Colt Canada Corp., available at <http://www.coltcanada.com/timberwolf-page.htm>.  
 “Colt Canada”, Sales Catalog, Colt Canada Corp., available at <http://www.coltcanada.com/PDF%20Forms/CC-cat-web.pdf>.  
 “Owner’s and Maintenance Manual for SAKO TRG 22/42 Sharpshooting System”, Owner’s Manual, Aug. 19, 2007, Sako Ltd, available at [http://www.sako.fi/pdf/manuals/TRG22\\_42.pdf](http://www.sako.fi/pdf/manuals/TRG22_42.pdf).  
 “Specification—Sako TRG Sharpshooting System”, Specification, Sep. 28, 2001, Sako Ltd, available at <http://www.sako.fi/pdf/specsflRG.pdf>.  
 “Hecate II: Long-Range Anti-Material Rifle”, Sales Brochure, PGM Precision, available at [http://www.pgmprecision.com/uploads/pdf/hecate\\_2008\\_en.pdf](http://www.pgmprecision.com/uploads/pdf/hecate_2008_en.pdf).  
 “A.M.S.D. Sniper Rifle”, Specification, Apr. 21, 2006, Advanced Military System Design, available at <http://www.amsd.ch/products/nemesis/om50nemesis.pdf>.  
 “Sako Export 2008”, Sales Catalog, 2008, Sako Ltd, available at [http://www.sako.fi/pdf/sako\\_export\\_2008.pdf](http://www.sako.fi/pdf/sako_export_2008.pdf).  
 “Specification—Sako TRG Sharpshooting System”, Specification, Dec. 19, 2008, Sako Ltd, available at <http://www.sako.fi/pdf/specsflRG.pdf>.  
 “Federal XC900;” retrieved on Jul. 9, 2009 from <http://gunsync.com/view-prop.php?id=181&name=FFederal-XC900>; Jan. 3, 2007; one page.  
 Remington Arms Company, Inc., “Remington Law Enforcement 2007 Catalog”, 2007, 37 Pages.

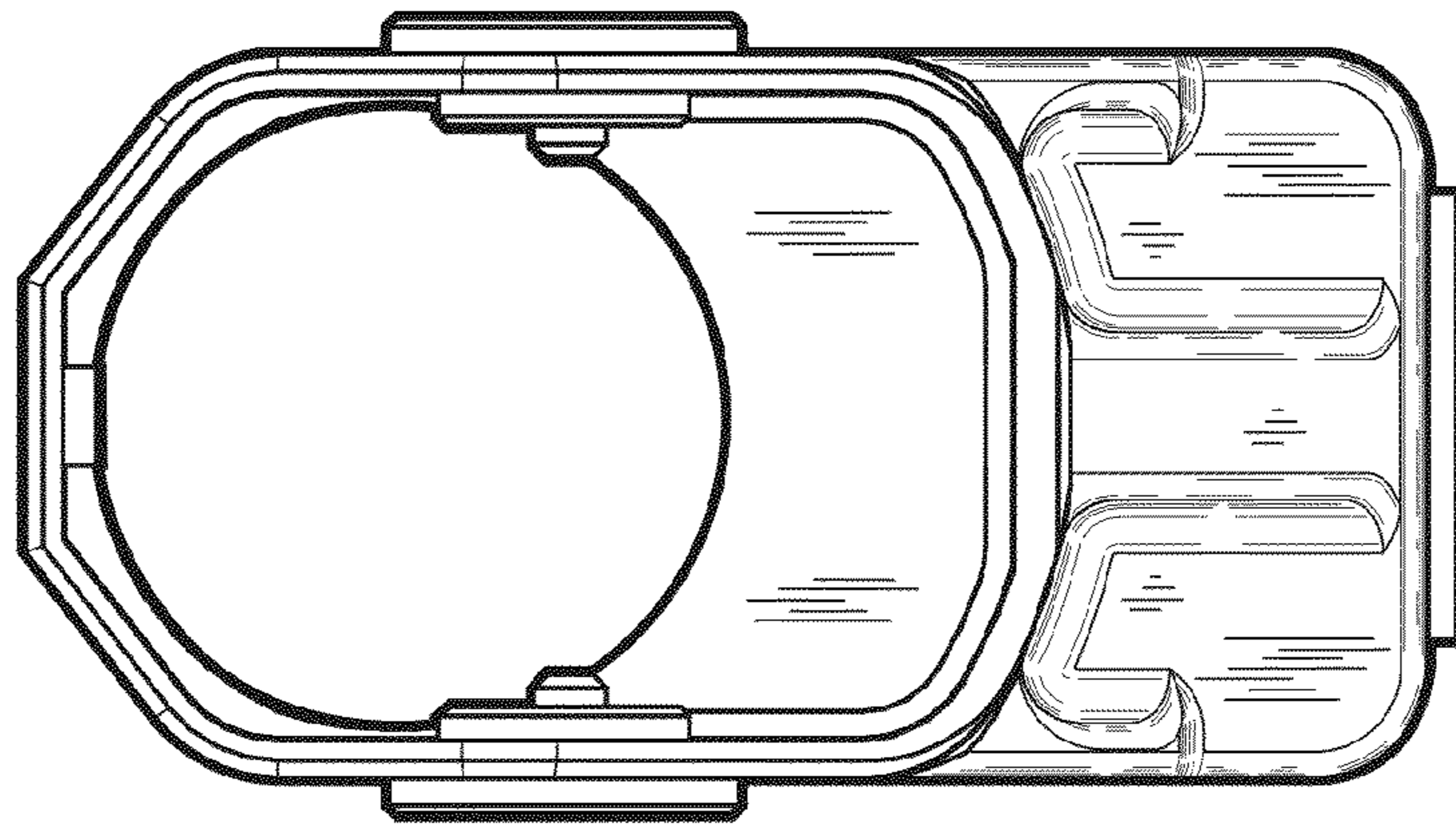
\* cited by examiner



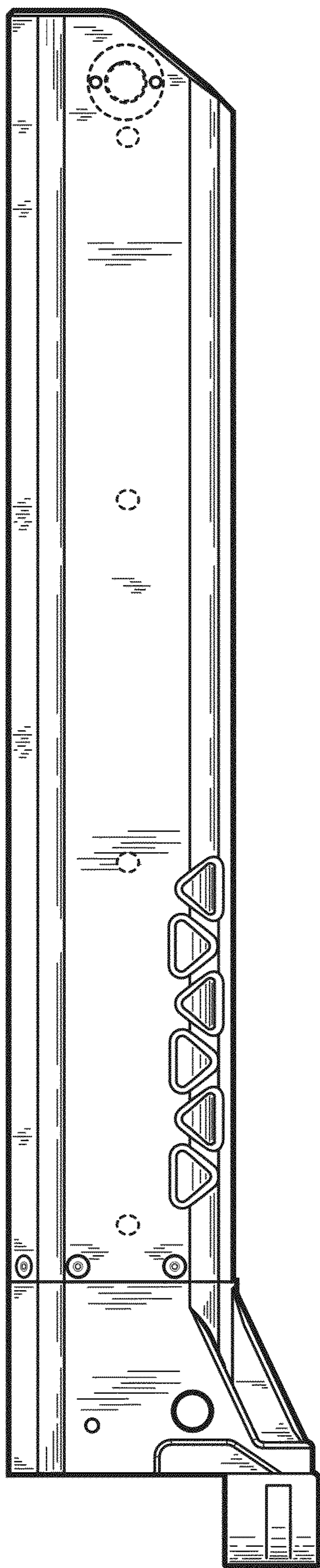
**Fig. 1**



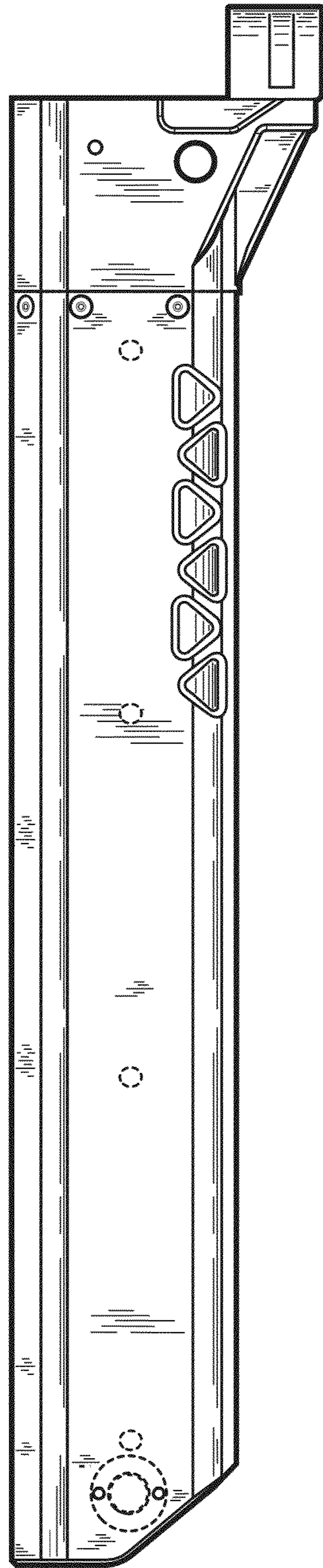
**Fig. 2**



**Fig. 3**

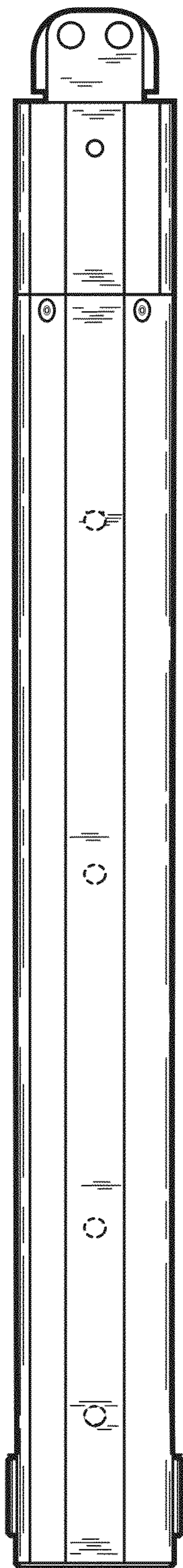


**Fig. 4**

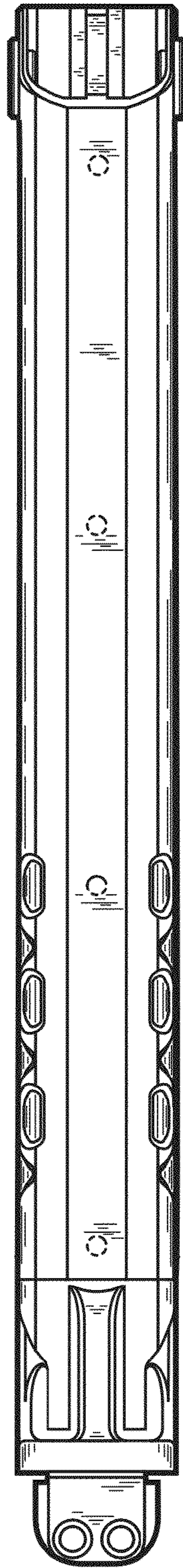


**Fig. 5**

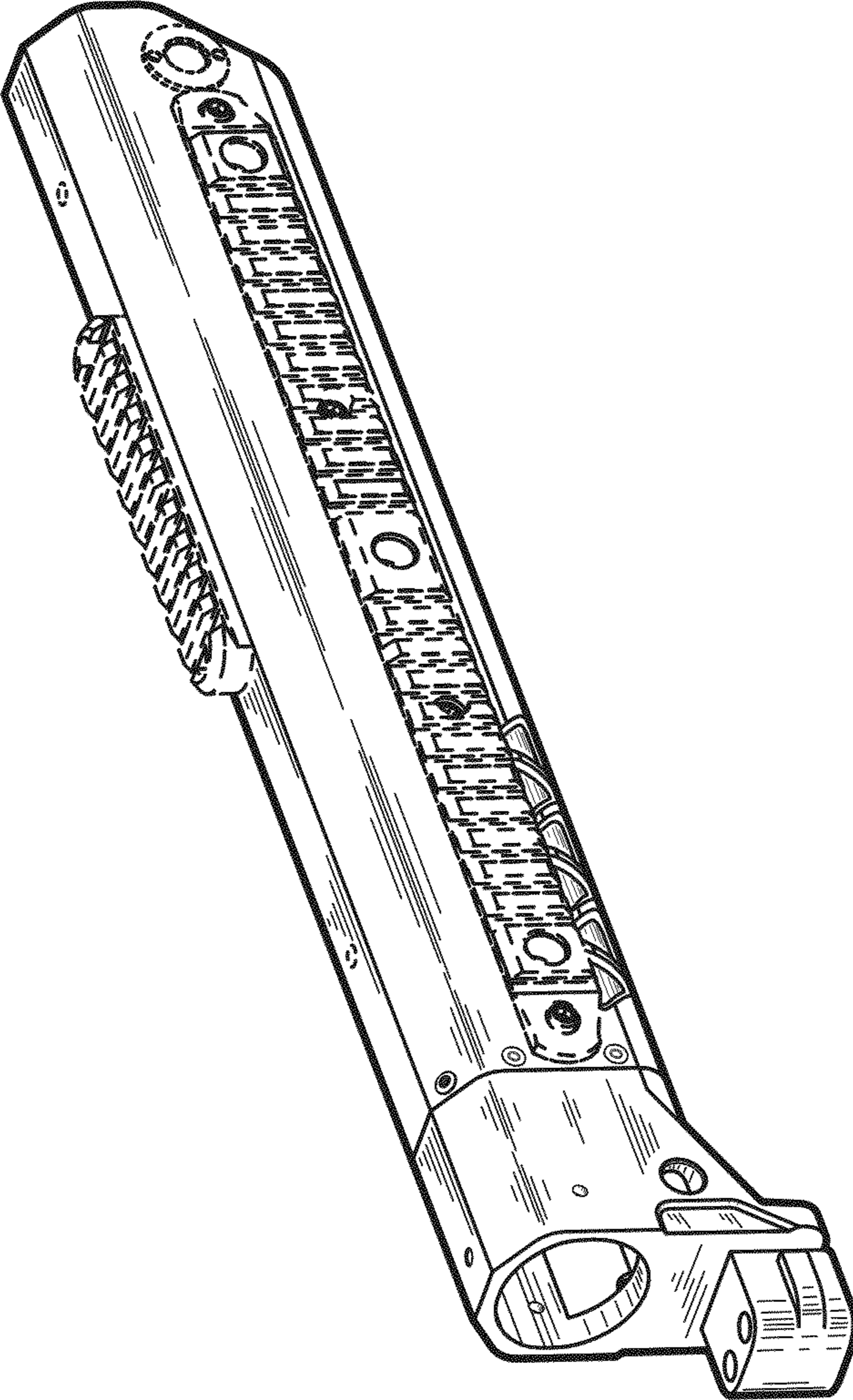




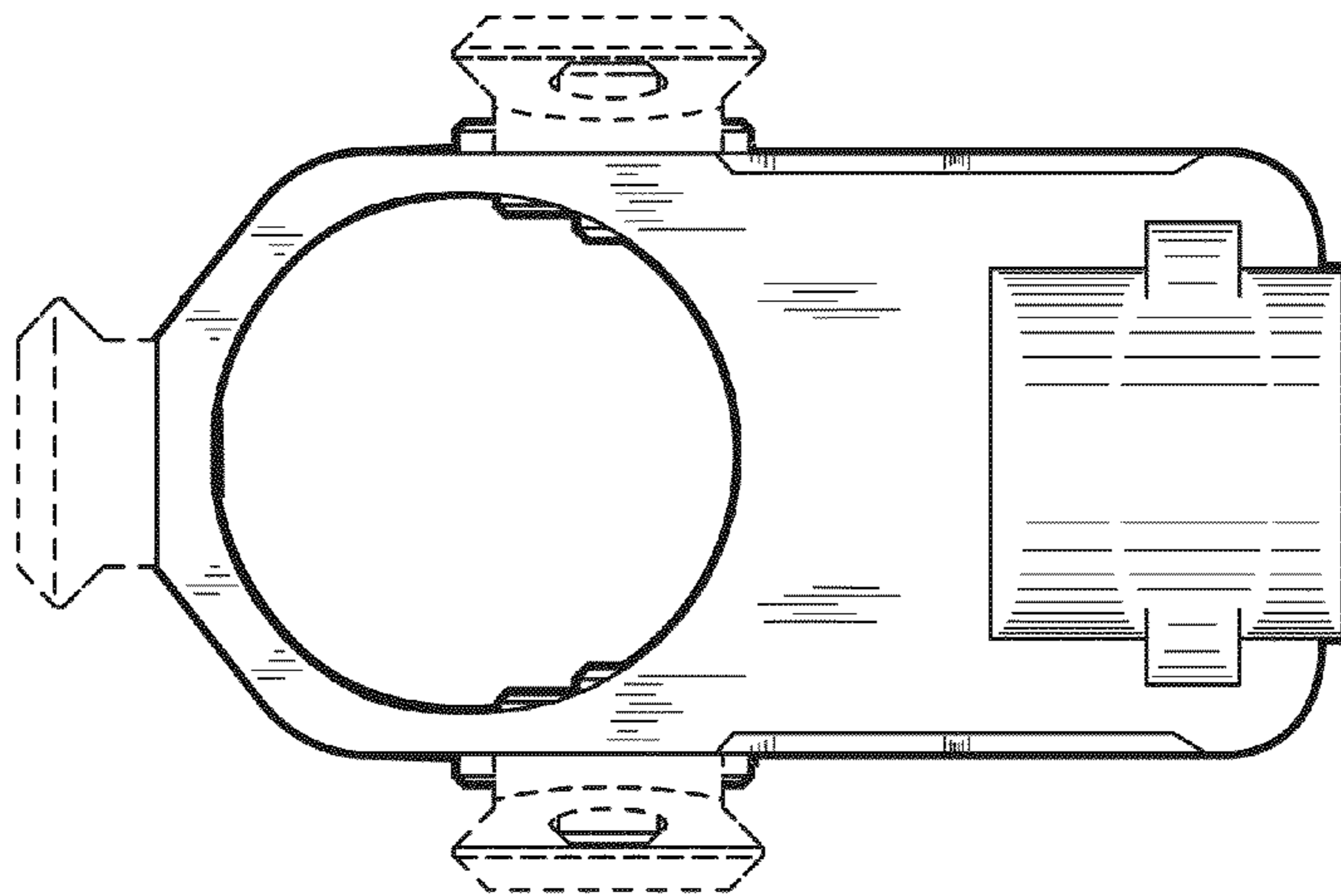
**Fig. 6**



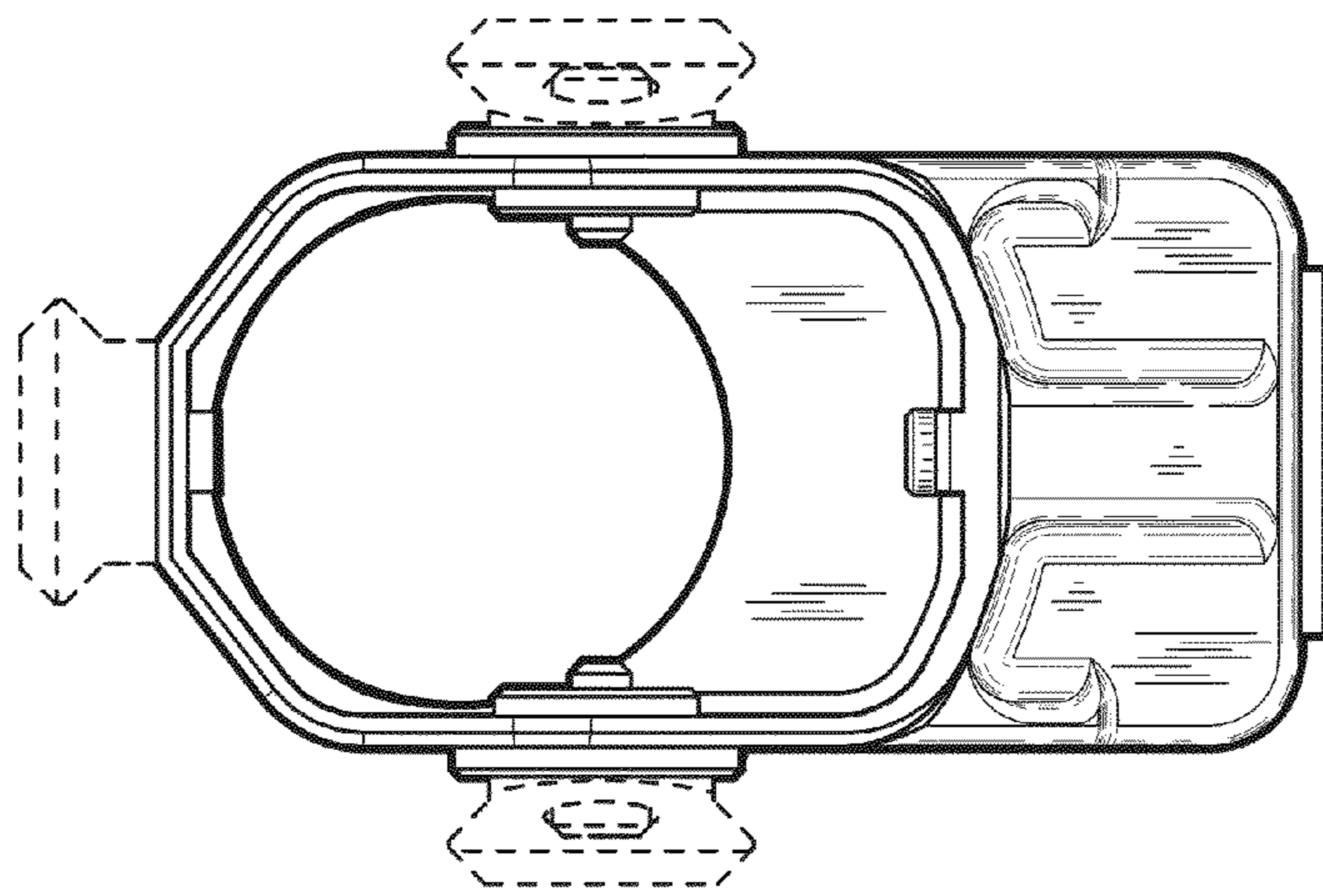
**Fig. 7**



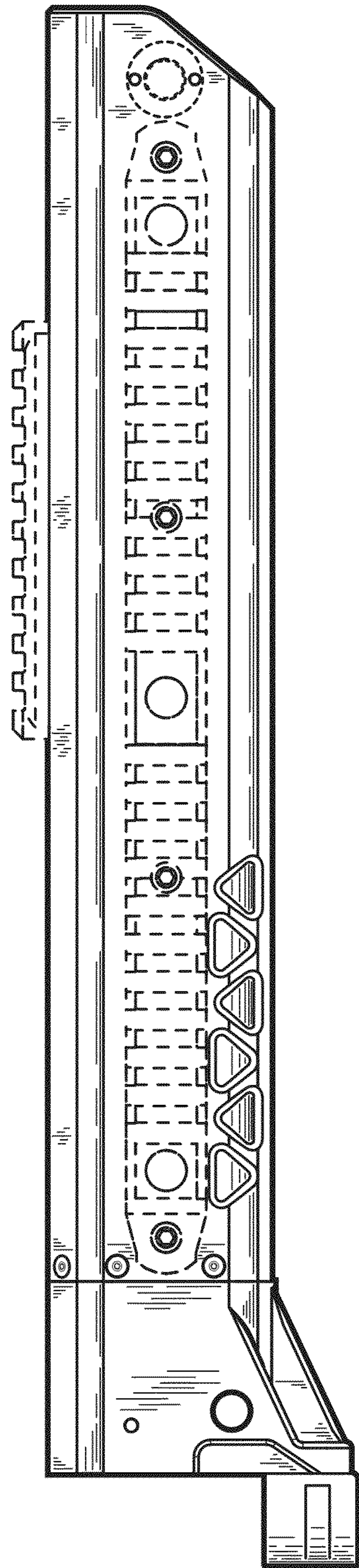
**Fig. 8**



**Fig. 9**



**Fig. 10**



**Fig. 11**

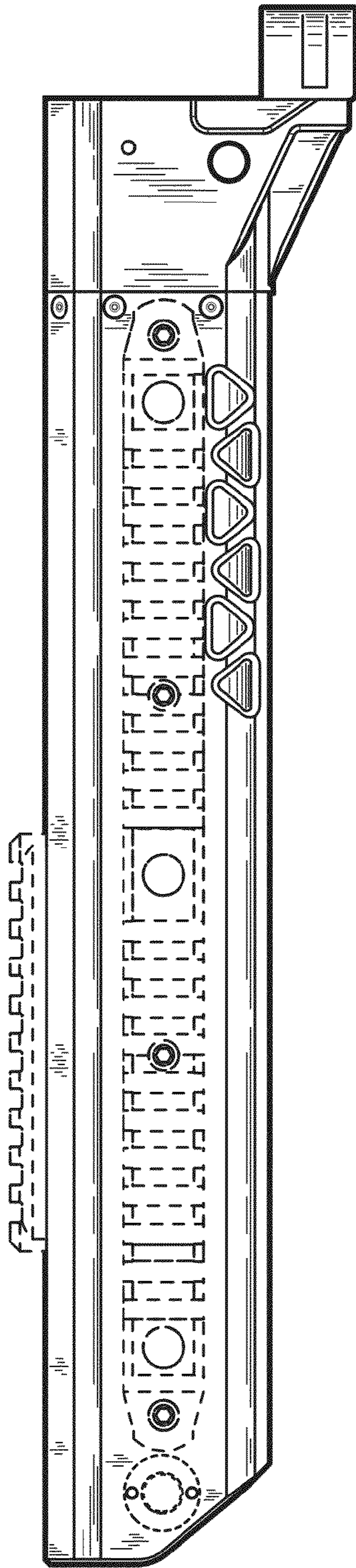
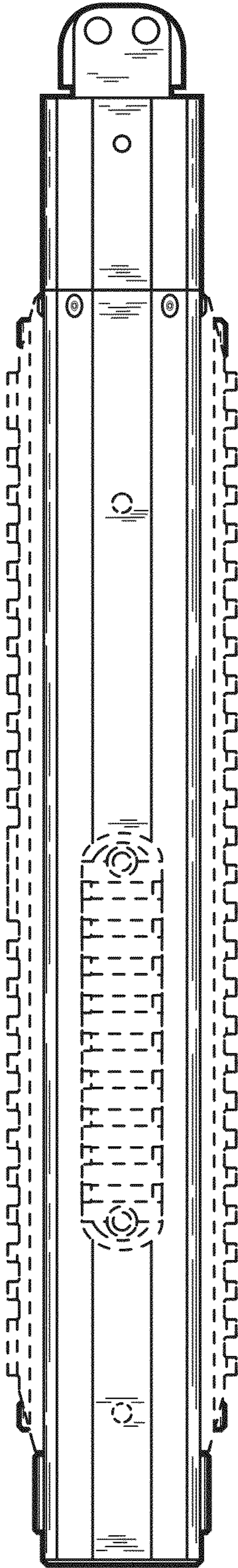
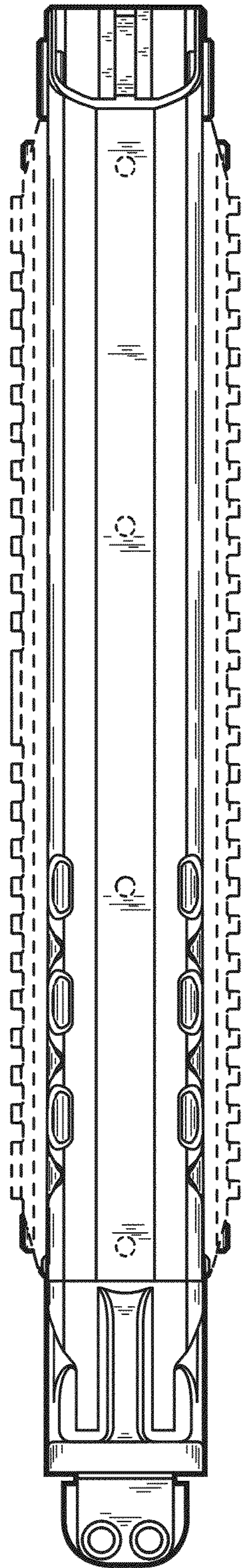


Fig. 12



**Fig. 13**





**Fig. 14**