



US00D728716S

(12) **United States Design Patent**
Pfaff

(10) **Patent No.:** **US D728,716 S**

(45) **Date of Patent:** **** May 5, 2015**

(54) **GOLF PUTTER HEAD WITH
SELF-ADJUSTING FACE**

D624,616 S * 9/2010 Rife D21/742
D624,617 S * 9/2010 Rife D21/742
D704,781 S * 5/2014 Pak et al. D21/736

(71) Applicant: **Plastronics Socket Partners, Ltd.**,
Irving, TX (US)

* cited by examiner

(72) Inventor: **Wayne K Pfaff**, Irving, TX (US)

Primary Examiner — Mitchell Siegel

(74) *Attorney, Agent, or Firm* — Mark W Handley

(73) Assignee: **Plastronics Socket Partners, Ltd.**,
Irving, TX (US)

(57) **CLAIM**

The ornamental design for a golf putter head with self-adjusting face, as shown and described.

(**) Term: **14 Years**

DESCRIPTION

(21) Appl. No.: **29/491,206**

(22) Filed: **May 19, 2014**

(51) **LOC (10) Cl.** **21-02**

(52) **U.S. Cl.**
USPC **D21/742**

(58) **Field of Classification Search**
USPC D21/736–746; 473/324–331, 343–346
See application file for complete search history.

FIG. 1 is a perspective view of a golf putter head with self-adjusting face embodying my design;
FIG. 2 is a front view of the golf putter head with self-adjusting face;
FIG. 3 is a rear view of the golf putter head with self-adjusting face;
FIG. 4 is a right side view of the golf putter head with self-adjusting face;
FIG. 5 is a left side view of the golf putter head with self-adjusting face;
FIG. 6 is a top view of the golf putter head with self-adjusting face; and,
FIG. 7 is a bottom view of the golf putter head with self-adjusting face.

(56) **References Cited**

U.S. PATENT DOCUMENTS

D247,791 S * 4/1978 Monteleone D21/741
D375,131 S * 10/1996 Williams D21/743
D388,853 S * 1/1998 Minami D21/745
D399,900 S * 10/1998 Hogan D21/742
D509,867 S * 9/2005 Perry D21/743
D515,646 S * 2/2006 Perry D21/742
D565,138 S * 3/2008 Wilson D21/743
D577,397 S * 9/2008 Eckes et al. D21/742

The components shown in broken lines in FIGS. 1 through 5 illustrate the environment in which the claimed design is used. The broken lines shown in FIGS. 1 through 5 show a golf putter shaft for mounting the golf putter head with self-adjusting face. None of the broken-line matter forms a part of the claimed design.

1 Claim, 4 Drawing Sheets

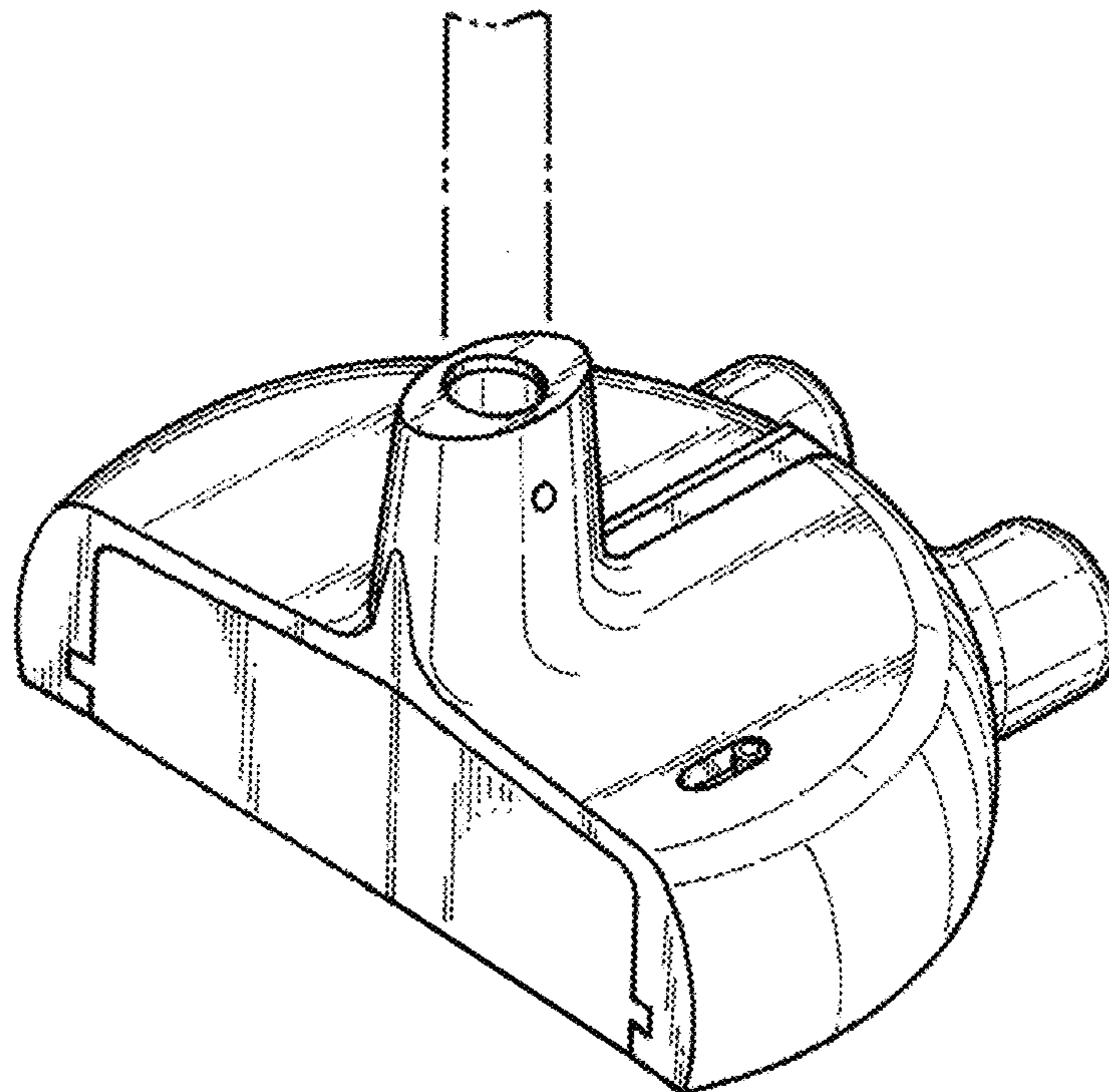


FIG. 1

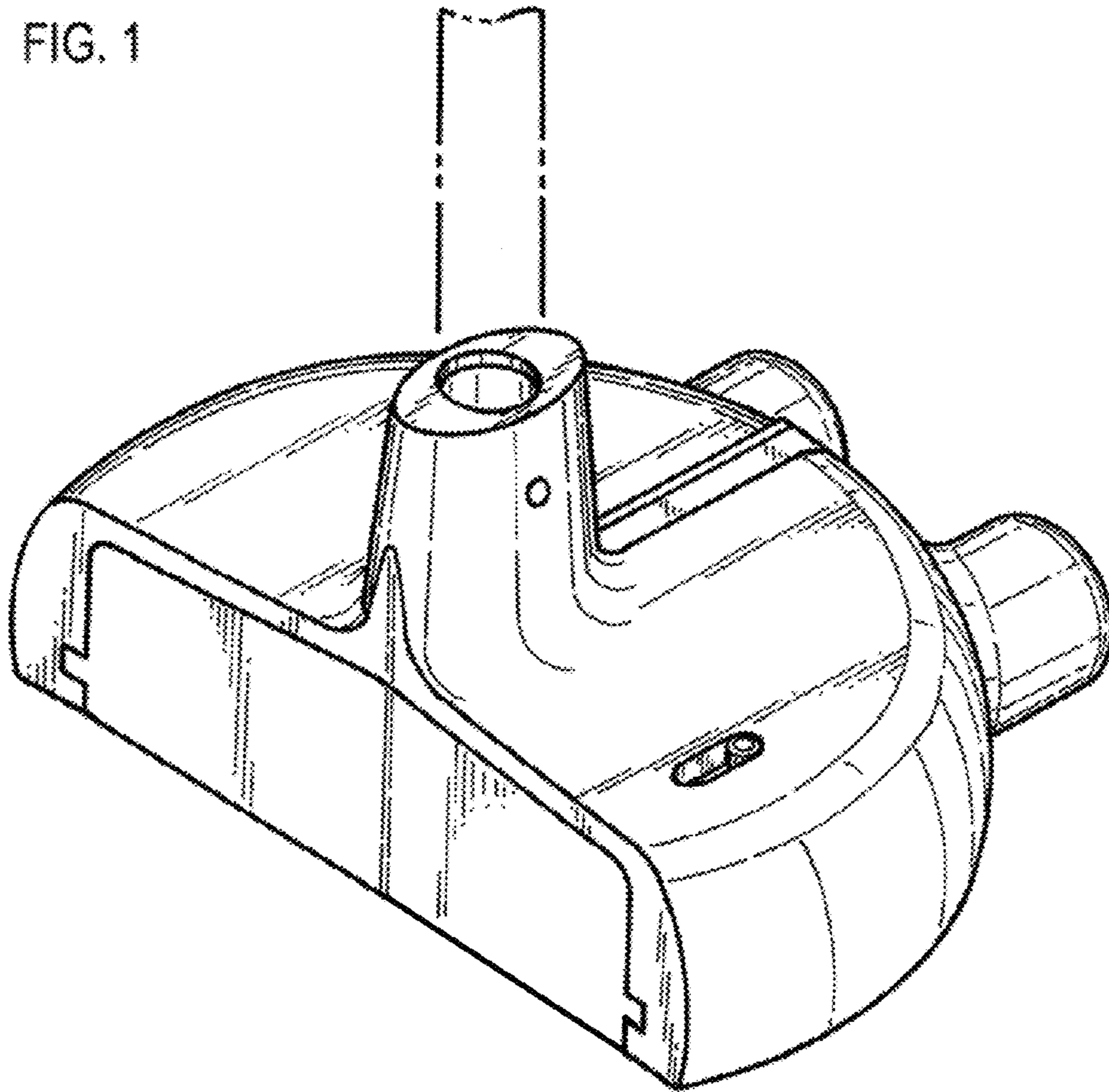


FIG. 2

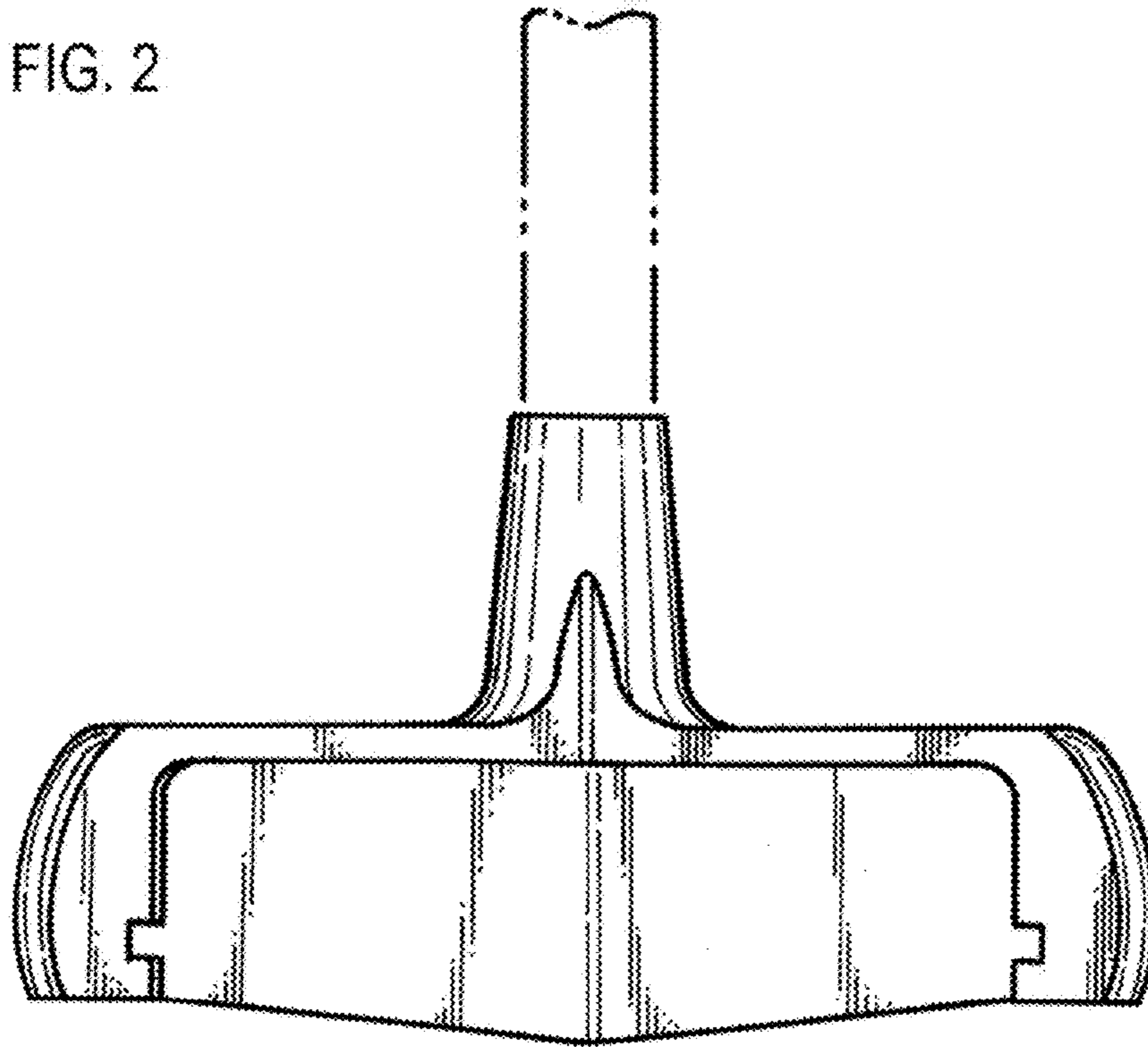


FIG. 3

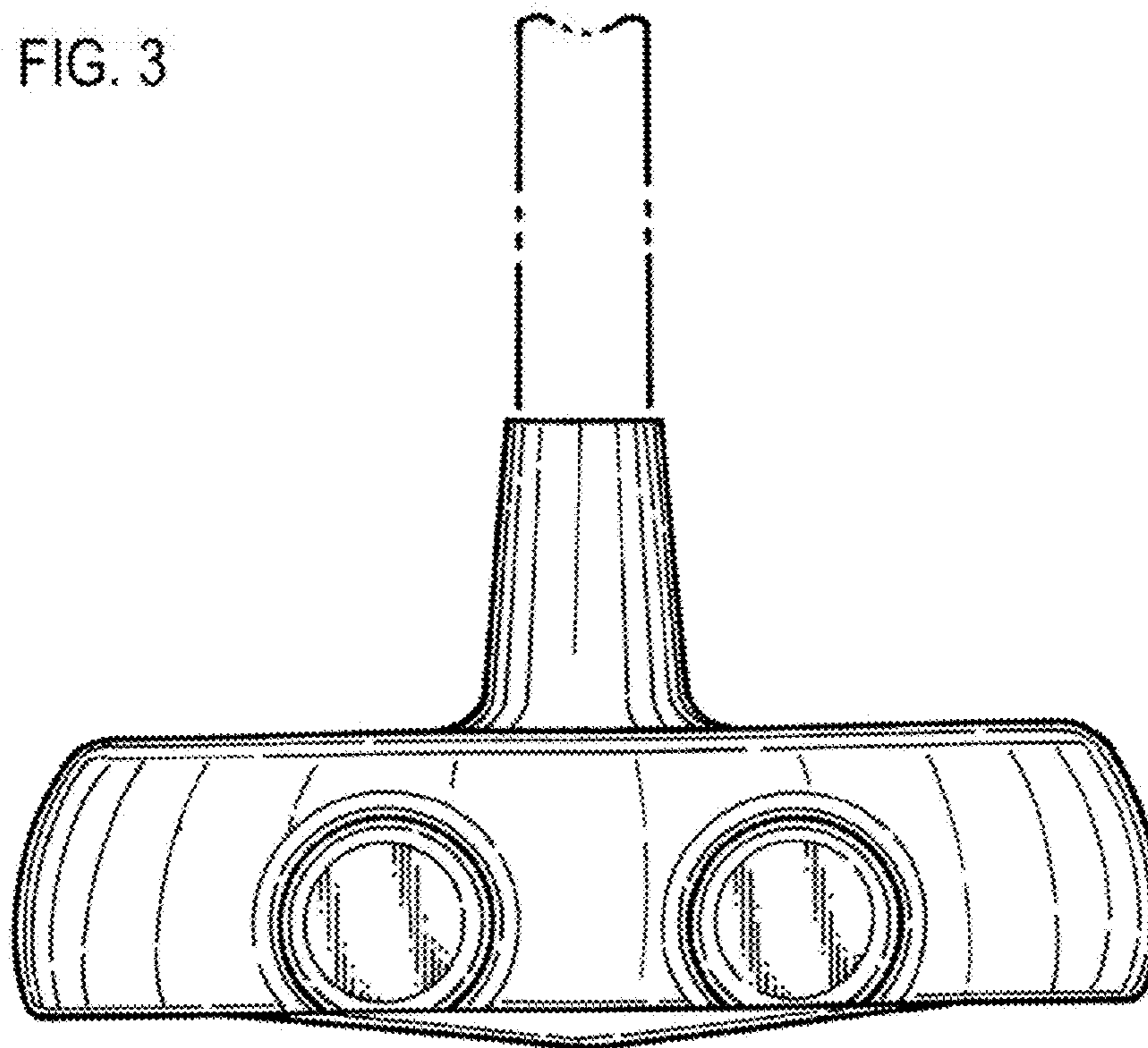


FIG. 4

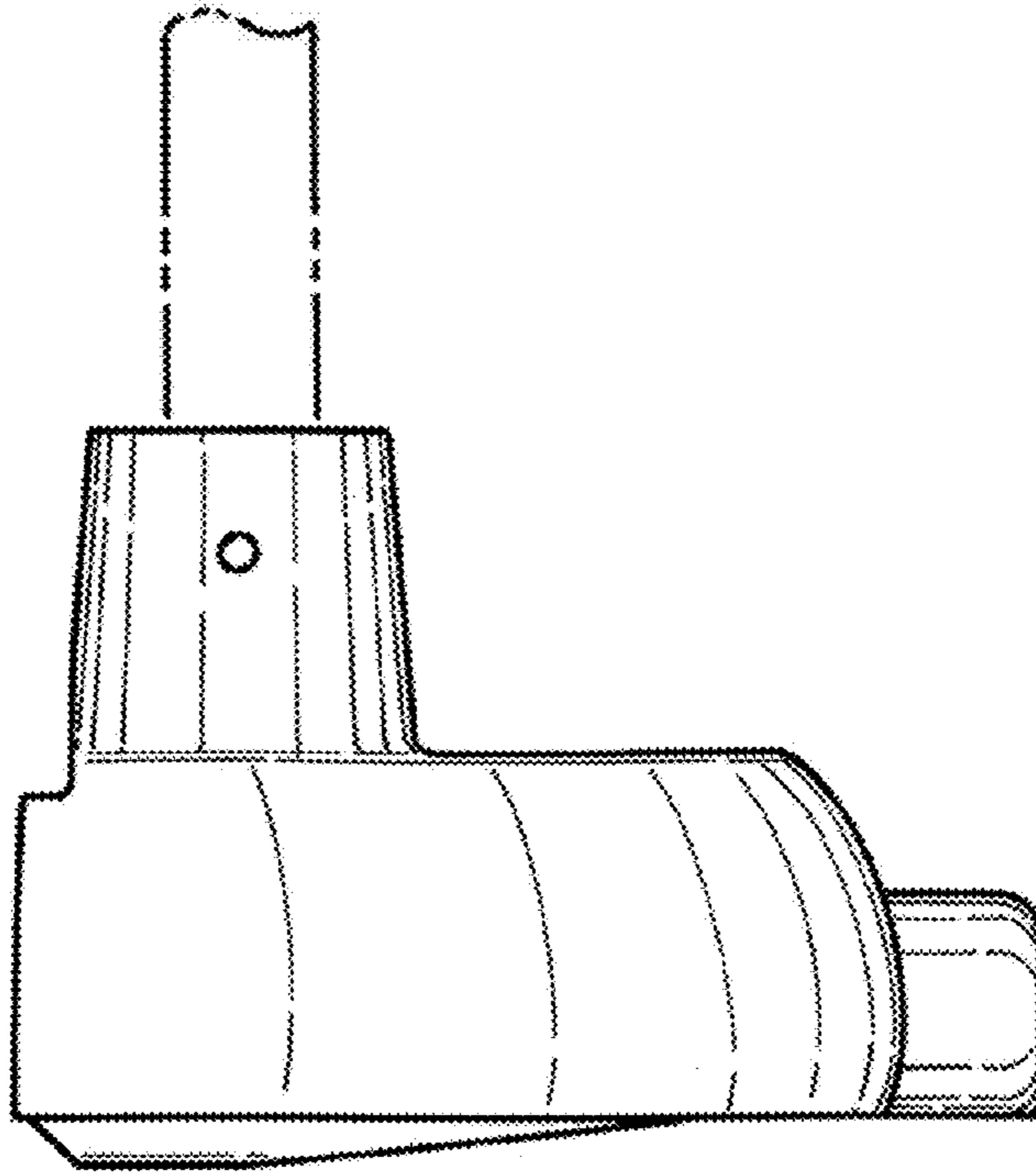


FIG. 5

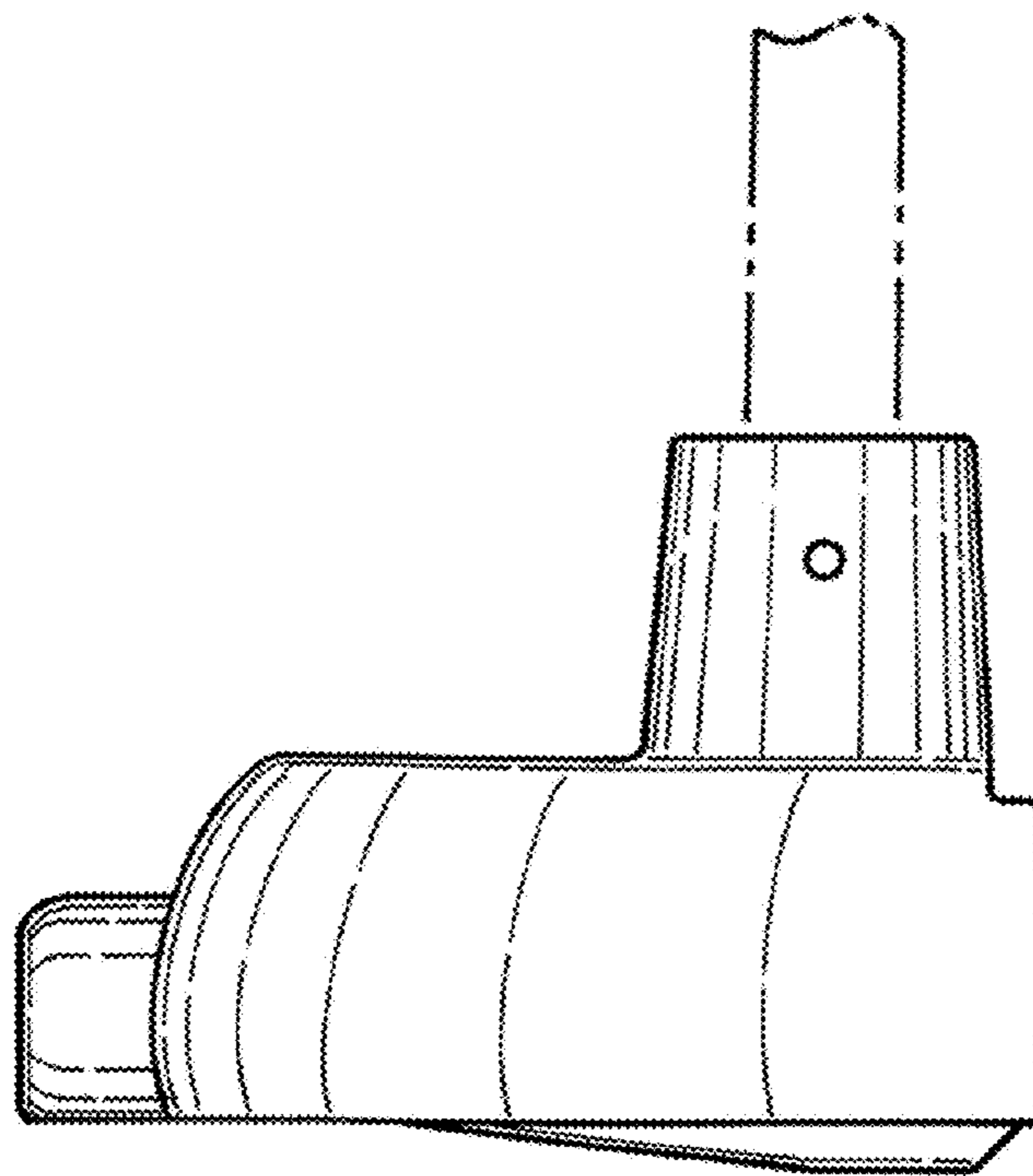


FIG. 6

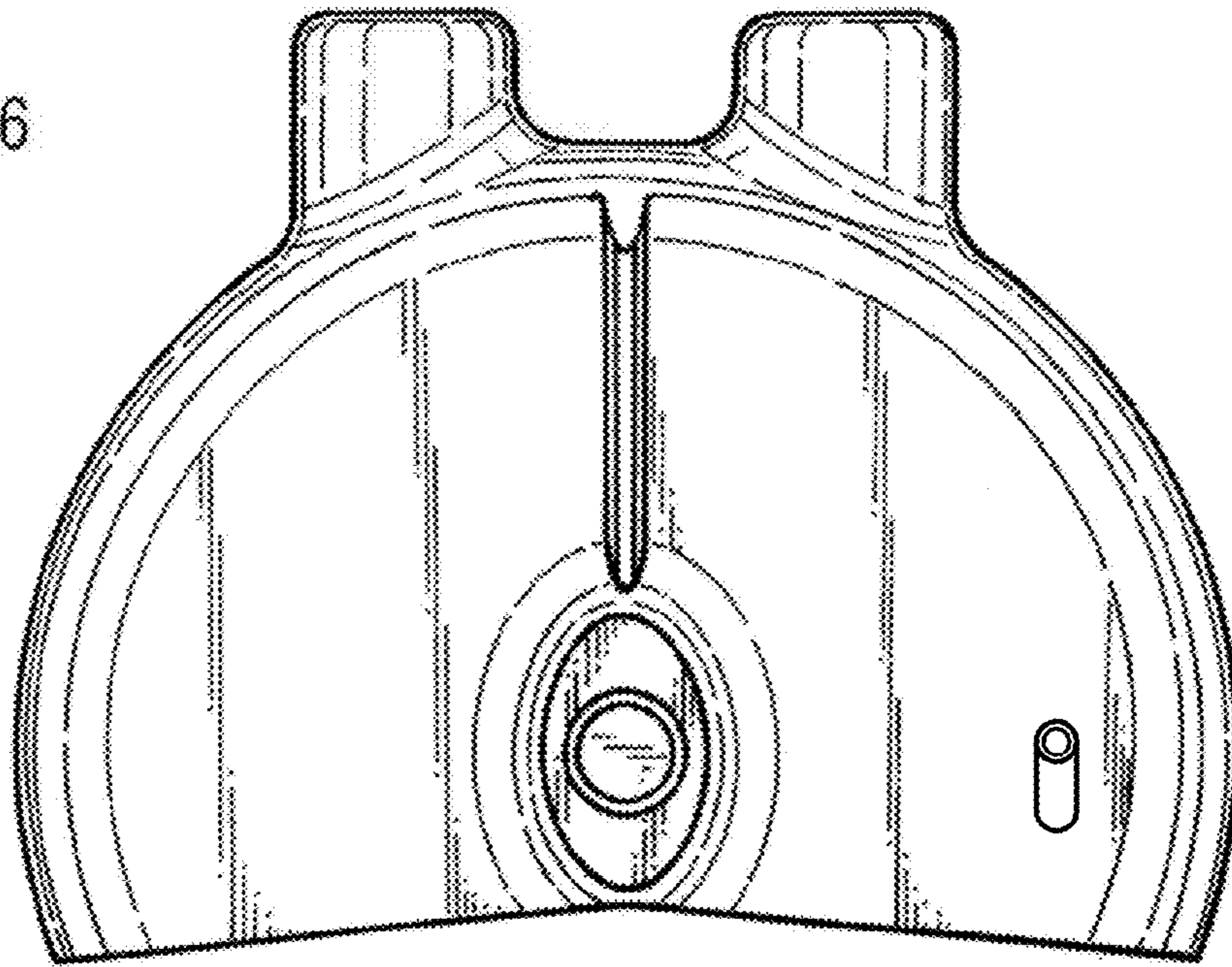


FIG. 7

