



US00D728715S

(12) **United States Design Patent**  
**Cameron**

(10) **Patent No.:** **US D728,715 S**  
(45) **Date of Patent:** **\*\* May 5, 2015**

(54) **PUTTER HEAD**

(71) Applicant: **Acushnet Company**, Fairhaven, MA  
(US)

(72) Inventor: **Don T. Cameron**, Carlsbad, CA (US)

(73) Assignee: **Acushnet Company**, Fairhaven, MA  
(US)

(\*\*) Term: **14 Years**

(21) Appl. No.: **29/491,686**

(22) Filed: **May 22, 2014**

(51) **LOC (10) Cl.** ..... **21-02**

(52) **U.S. Cl.**  
USPC ..... **D21/736**

(58) **Field of Classification Search**  
CPC ..... A63B 53/065; A63B 53/0487  
USPC ..... D21/736-746, 759  
See application file for complete search history.

(56) **References Cited**

**U.S. PATENT DOCUMENTS**

4,580,784 A	4/1986	Brill	
4,741,535 A	5/1988	Leonhardt	
4,898,387 A	2/1990	Finney	
D323,867 S *	2/1992	Rizzotto	D21/740
D350,177 S *	8/1994	Ramirez et al.	D21/745
D359,330 S	6/1995	Channell	
D381,382 S	7/1997	Fenton, Jr.	
D399,911 S	10/1998	Nicolette et al.	
5,997,409 A	12/1999	Mattson	
D421,471 S	3/2000	Moldovan	
D436,638 S	1/2001	Carrier	
6,270,422 B1	8/2001	Fisher	
D457,210 S	5/2002	Noda	
D478,642 S	8/2003	Spino	
D500,110 S	12/2004	Solheim et al.	
D513,050 S	12/2005	Grimaldo	
D517,143 S *	3/2006	Petsel et al.	D21/742

D532,844 S	11/2006	Rollinson	
D532,845 S *	11/2006	Rollinson	D21/736
D568,954 S *	5/2008	Oldknow et al.	D21/759
D573,673 S *	7/2008	Noyes	D21/736
D574,908 S *	8/2008	Hettinger et al.	D21/743
D577,398 S	9/2008	Hilton	
7,431,660 B2	10/2008	Hasegawa	
D582,497 S *	12/2008	Rollinson	D21/744
D589,575 S *	3/2009	Kim et al.	D21/744
D590,035 S	4/2009	Hilton	
D590,461 S	4/2009	Kim et al.	
D591,371 S	4/2009	Hilton	
D591,807 S *	5/2009	Rollinson	D21/744
D595,373 S *	6/2009	Kim et al.	D21/744
D600,761 S	9/2009	Solheim et al.	
D603,006 S	10/2009	Foster et al.	
D621,458 S	8/2010	Serrano et al.	

(Continued)

**FOREIGN PATENT DOCUMENTS**

WO 2011078569 A2 6/2011

*Primary Examiner* — Mitchell Siegel

(74) *Attorney, Agent, or Firm* — Randy K. Chang

(57) **CLAIM**

The ornamental design for a putter head, as shown and described.

**DESCRIPTION**

FIG. 1 is a perspective sole view of my new design for a putter head;

FIG. 2 is a toe side view thereof;

FIG. 3 is a bottom view thereof;

FIG. 4 is a heel side view thereof;

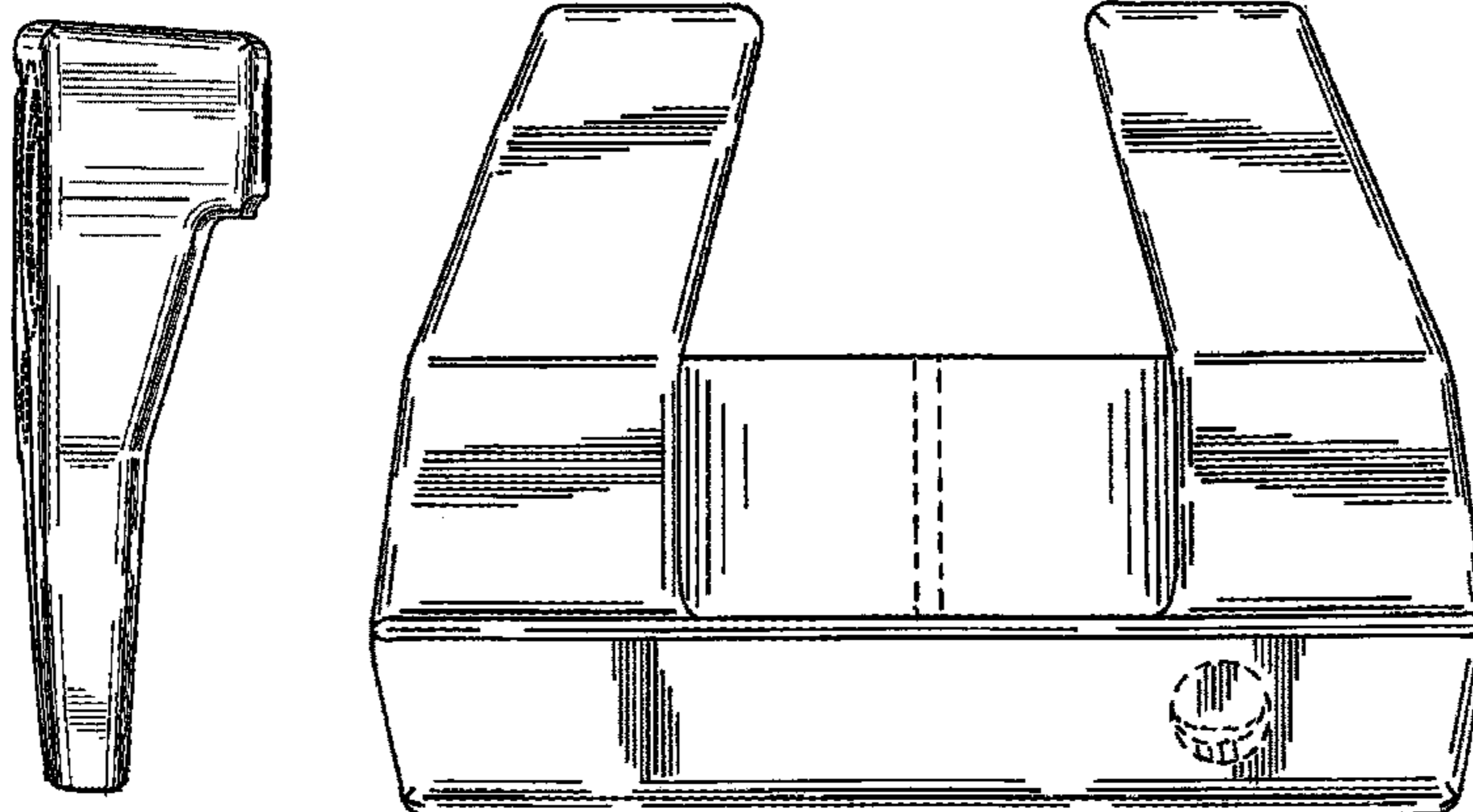
FIG. 5 is a back view thereof;

FIG. 6 is a top view thereof; and,

FIG. 7 is a front view thereof.

The portion of the club head shown in phantom are for illustrative purposes only and do not form any portion of the claimed design.

**1 Claim, 3 Drawing Sheets**



(56)

**References Cited**

U.S. PATENT DOCUMENTS

7,909,707 B2 3/2011 Klein  
D636,829 S 4/2011 Cardani  
D636,830 S 4/2011 Cardani  
D669,145 S 10/2012 Roland

D670,774 S \* 11/2012 Seiff ..... D21/736  
D688,341 S \* 8/2013 Rollinson ..... D21/746  
8,506,415 B2 8/2013 Franklin  
D691,226 S \* 10/2013 Hilton et al. .... D21/746  
D701,274 S \* 3/2014 Rollinson ..... D21/736  
D704,782 S \* 5/2014 Rollinson ..... D21/736  
D720,821 S \* 1/2015 Brandt ..... D21/736

\* cited by examiner

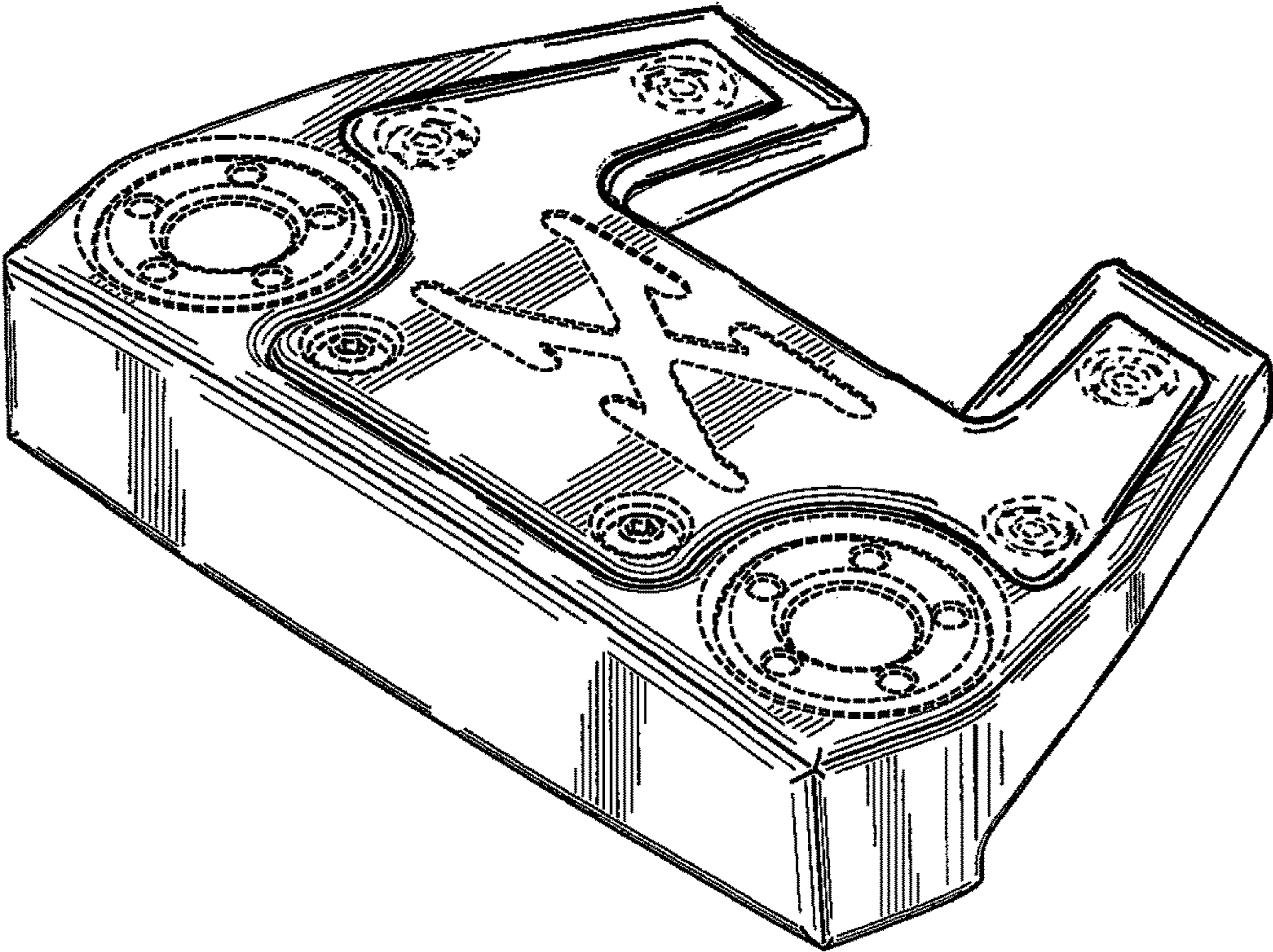


FIG. 1

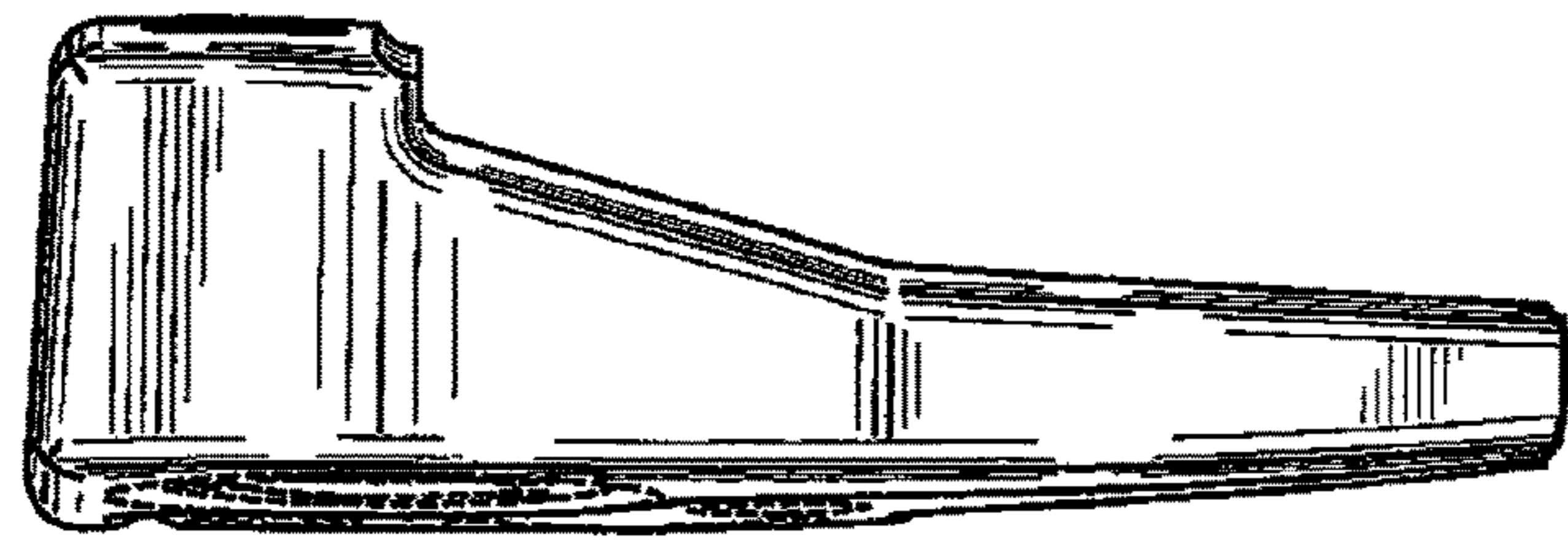


FIG. 4

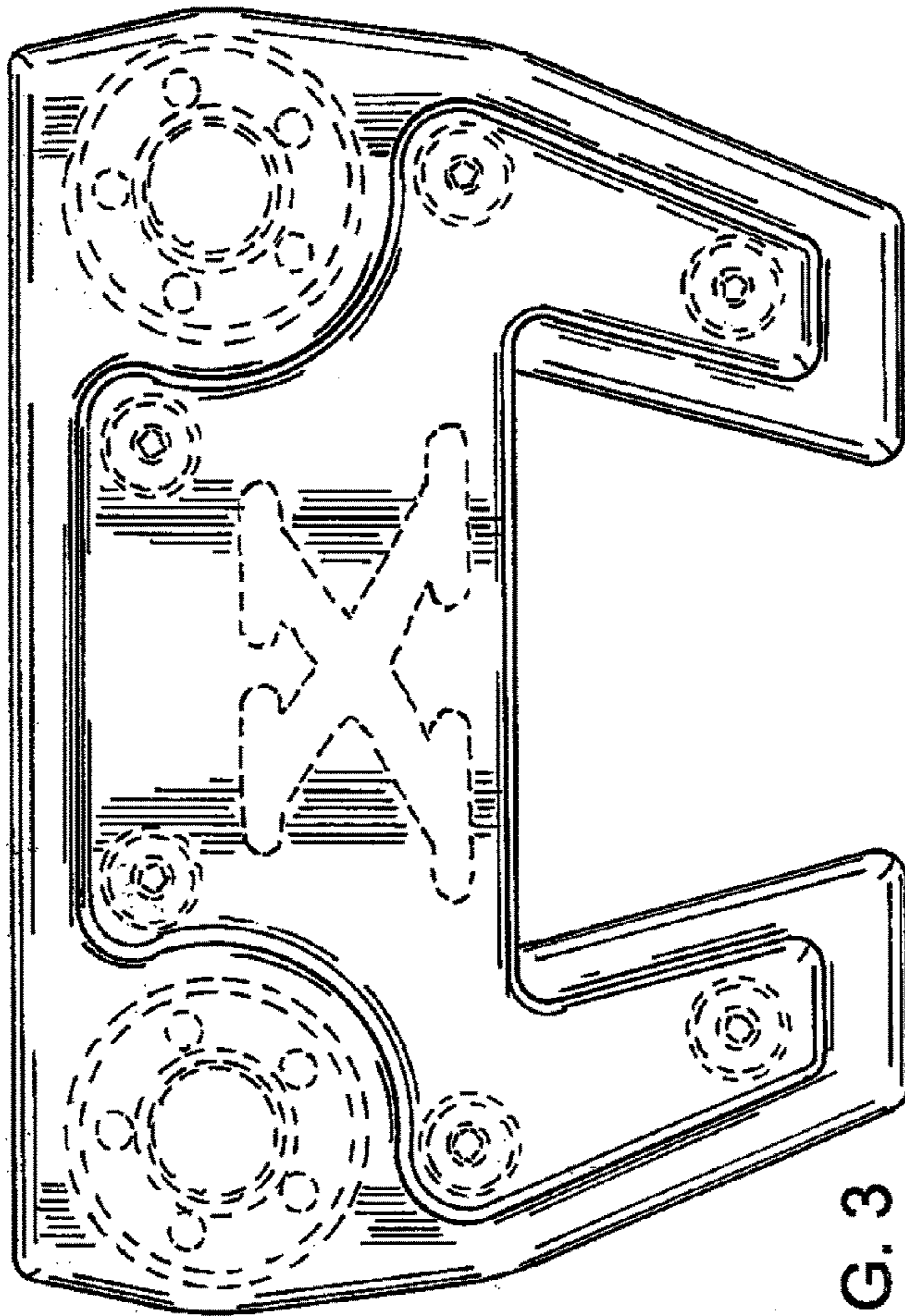


FIG. 3

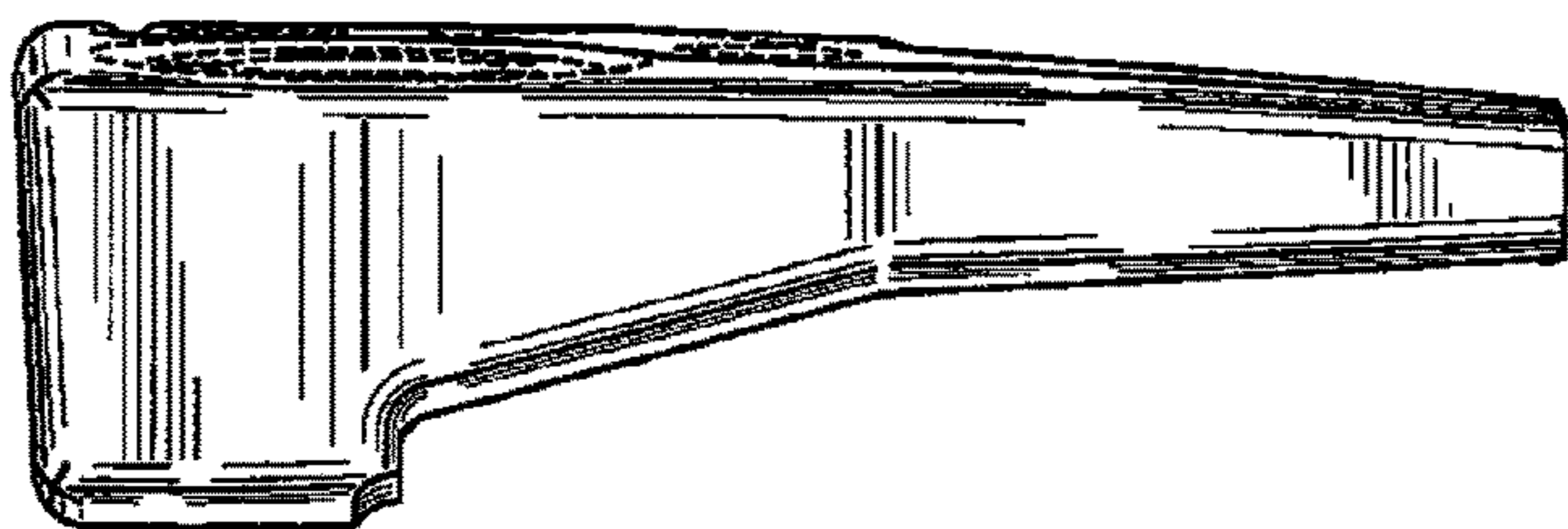


FIG. 2

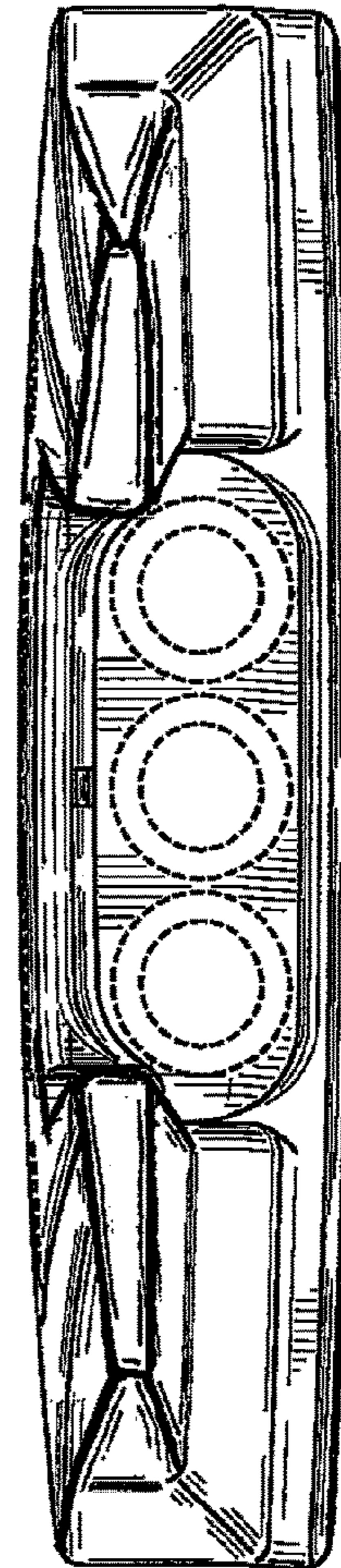


FIG. 5

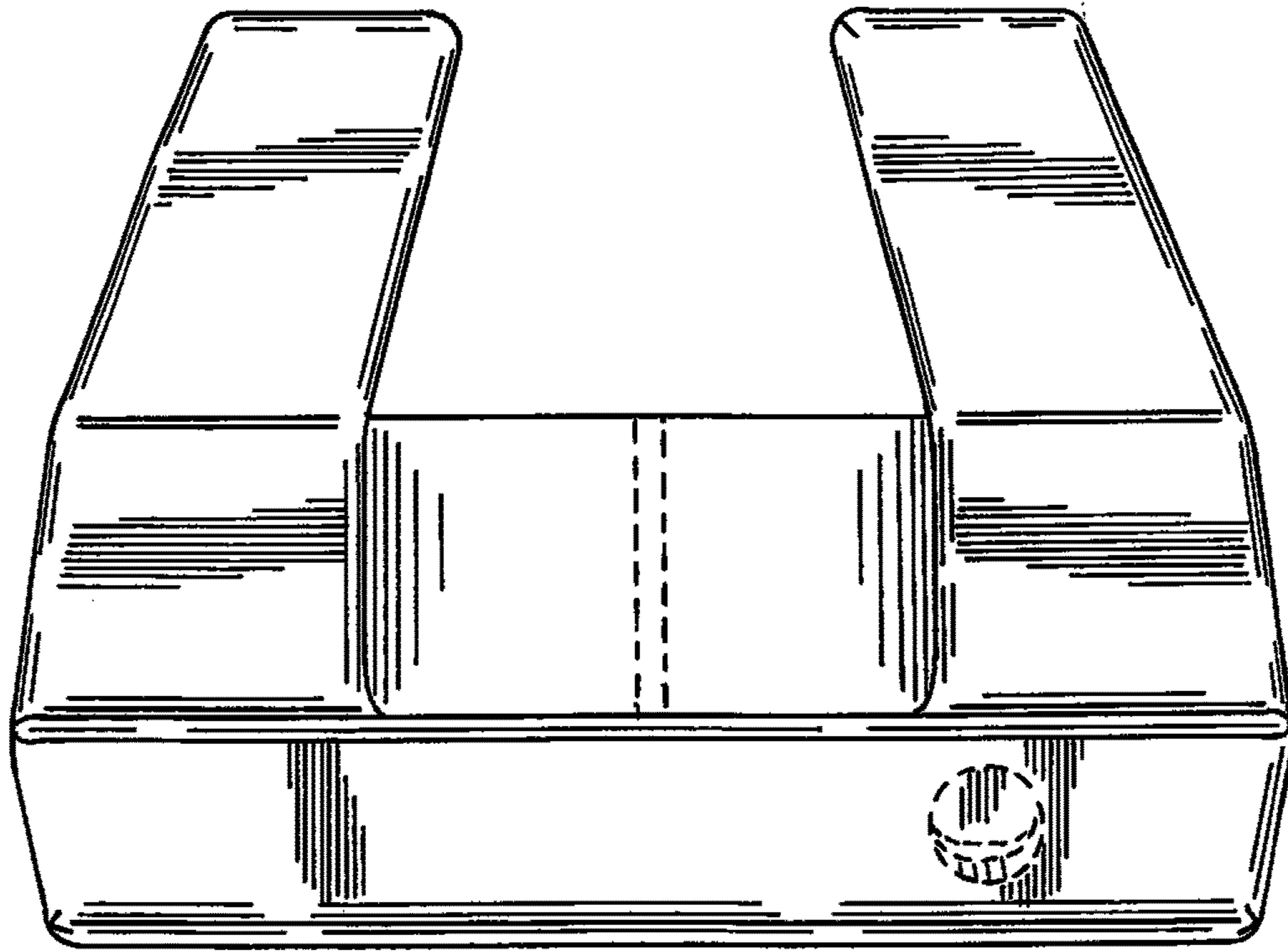


FIG. 6

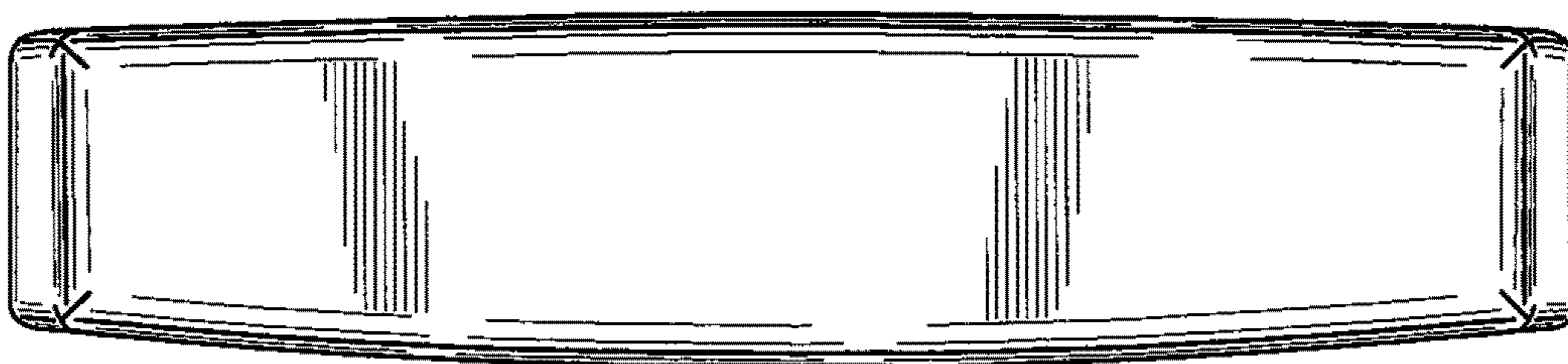


FIG. 7