



US00D728714S

(12) **United States Design Patent**
Sotheran

(10) **Patent No.:** **US D728,714 S**

(45) **Date of Patent:** **** May 5, 2015**

(54) **HOCKEY PUCK REBOUND DEVICE**

(71) Applicant: **Ryan Sotheran**, Sanford (CA)

(72) Inventor: **Ryan Sotheran**, Sanford (CA)

(**) Term: **14 Years**

(21) Appl. No.: **29/484,158**

(22) Filed: **Mar. 6, 2014**

(51) **LOC (10) Cl.** **21-02**

(52) **U.S. Cl.**
USPC **D21/722**

(58) **Field of Classification Search**

CPC A63B 69/0026; A63B 63/004
USPC D21/722, 727, 753, 710, 698; 473/422,
473/431, 434, 435, 446

See application file for complete search history.

(56) **References Cited**

U.S. PATENT DOCUMENTS

D301,906	S	*	6/1989	Coolen	D21/710
5,362,045	A	*	11/1994	Hammett et al.	473/435
6,328,664	B1	*	12/2001	Hammett	473/422
D628,253	S	*	11/2010	McKinney et al.	D21/722
D637,669	S	*	5/2011	McKinney et al.	D21/722
8,469,841	B1		6/2013	Giauque et al.		
D700,939	S	*	3/2014	Marinoff	D21/727
D700,940	S	*	3/2014	Marinoff	D21/727

FOREIGN PATENT DOCUMENTS

CA 2079132 A1 3/1994

OTHER PUBLICATIONS

PassMaster Hockey Passing Device. www.americanhockeycenter.net/pd-sedge-hockey-passmaster.cfm.

* cited by examiner

Primary Examiner — Mitchell Siegel

(74) *Attorney, Agent, or Firm* — Robert C. Montgomery; Montgomery Paten & Design, LP

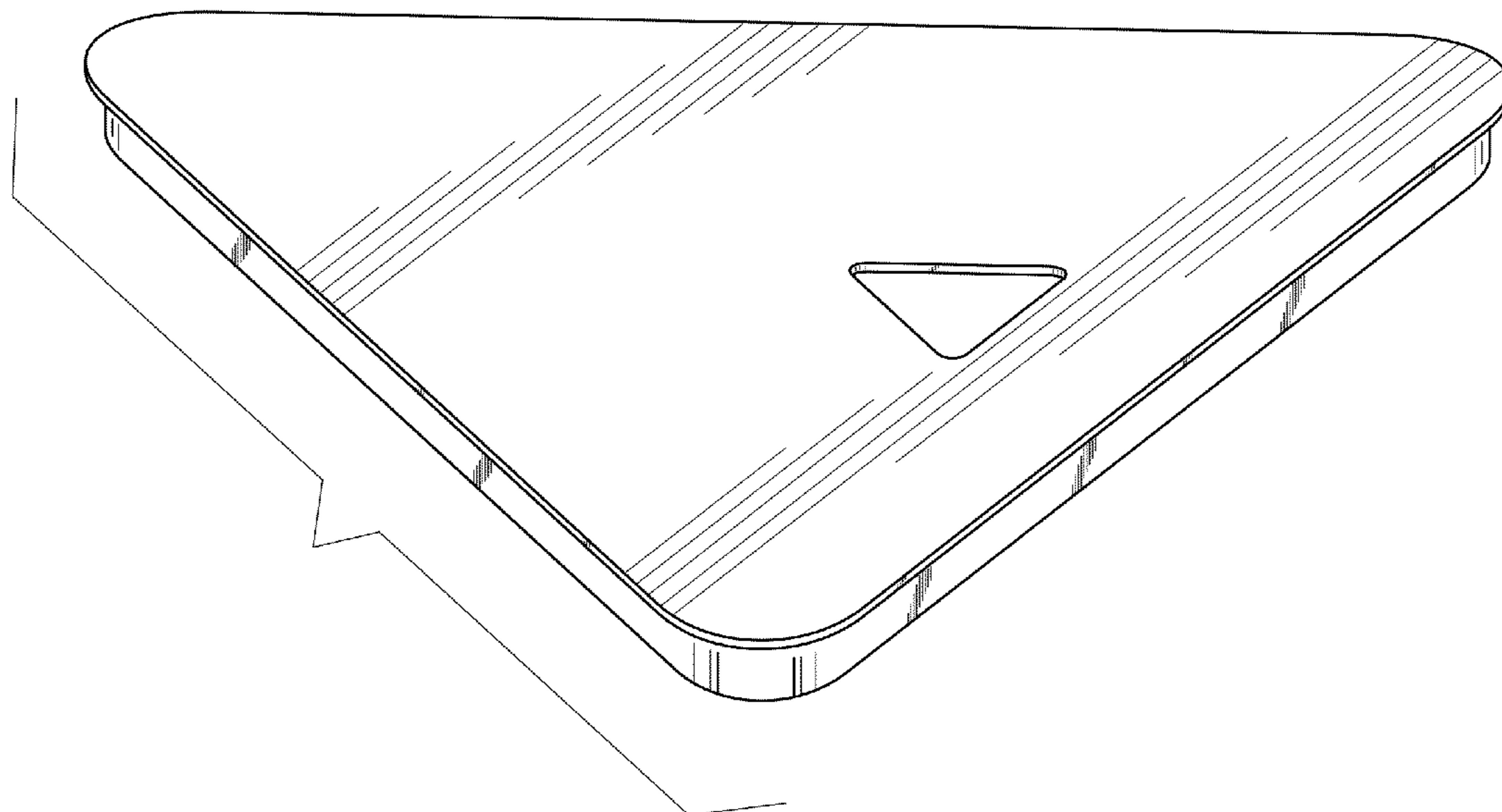
(57) **CLAIM**

The ornamental design for a hockey puck rebound device, as shown and described.

DESCRIPTION

FIG. 1 is a top perspective view of the hockey puck rebound device showing a base and a rebound band in assembly;
 FIG. 2 is a bottom perspective view of FIG. 2;
 FIG. 3 is front view of the base;
 FIG. 4 is a rear view of FIG. 3;
 FIG. 5 is a left-hand side view of FIG. 3, wherein a right-hand side view is a mirror image of the left-hand side view;
 FIG. 6 is a top view of FIG. 3;
 FIG. 7 is a bottom view of FIG. 3;
 FIG. 8 is a perspective view of the rebound band;
 FIG. 9 is a front view of FIG. 8;
 FIG. 10 is a rear view of FIG. 8;
 FIG. 11 is a left-hand side view of FIG. 8, wherein a right-hand side view is a mirror image of the left-hand side view;
 and,
 FIG. 12 is a top view of FIG. 8, wherein a bottom view is a mirror image of the top view.

1 Claim, 10 Drawing Sheets



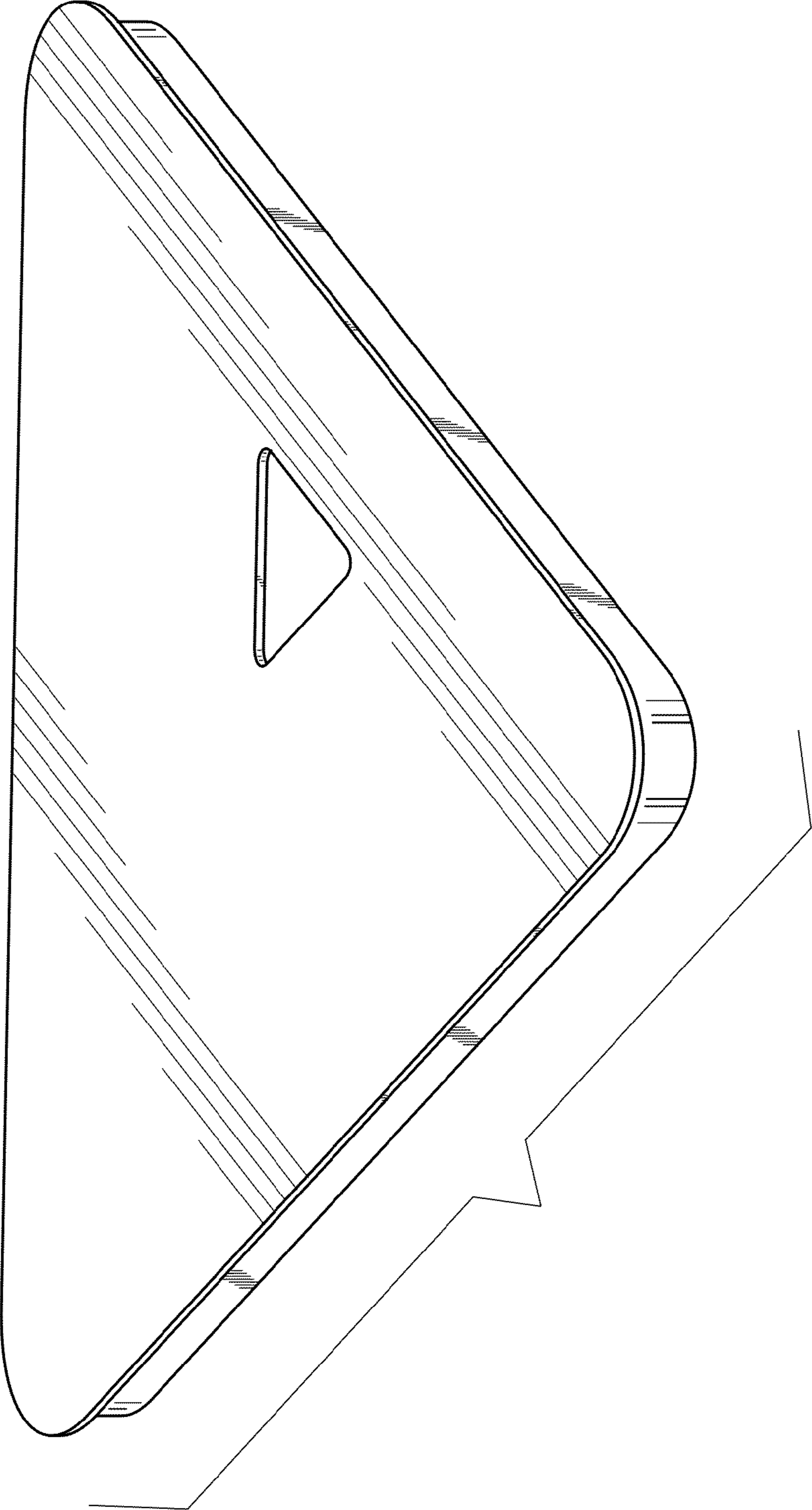


Fig. 1

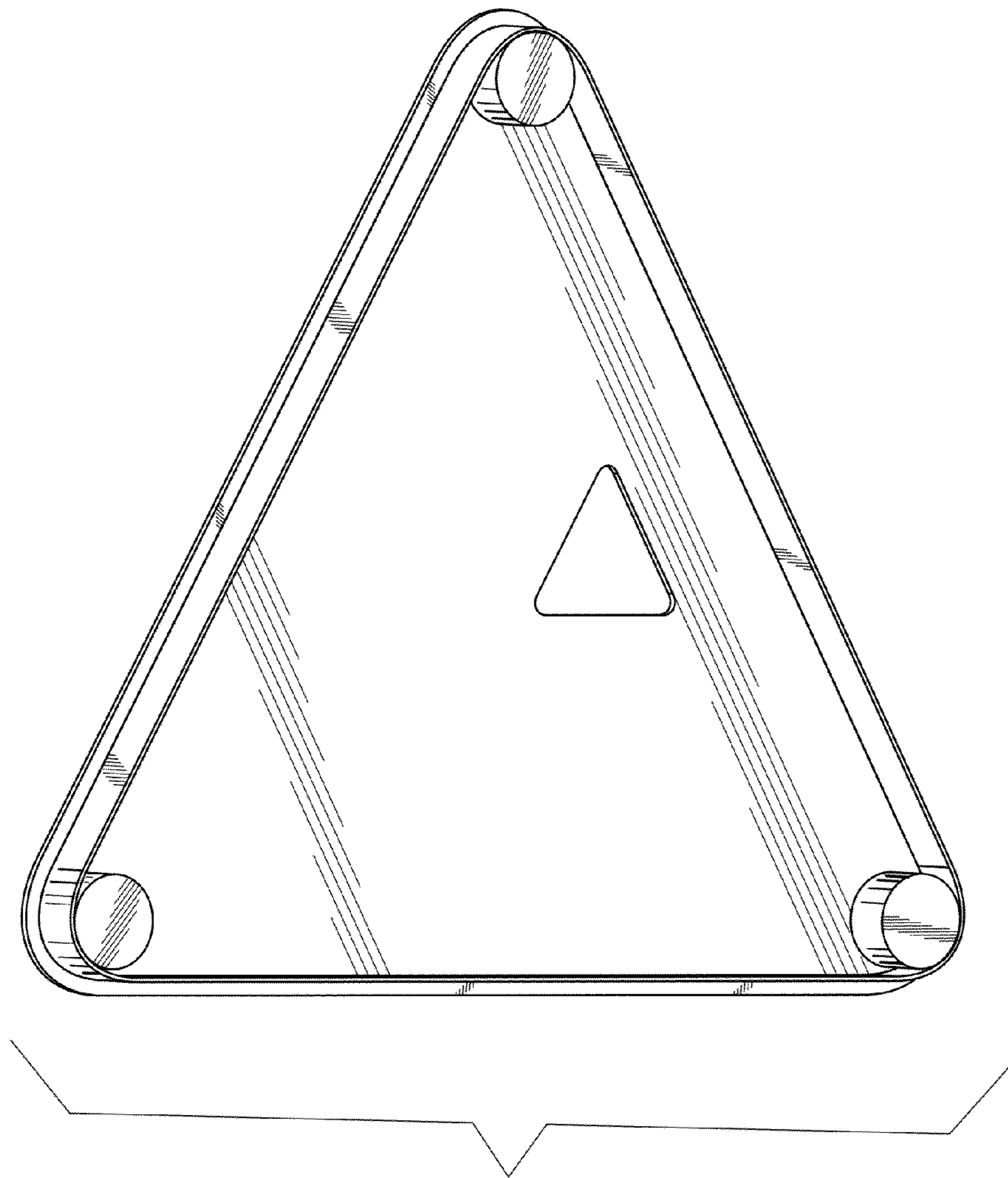


Fig. 2

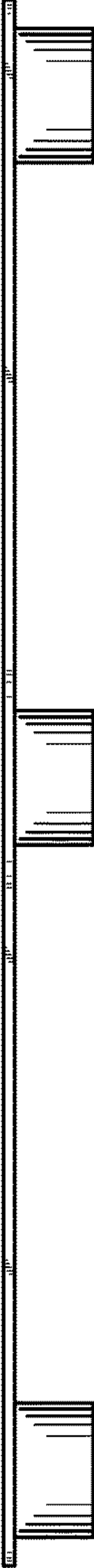


Fig. 3

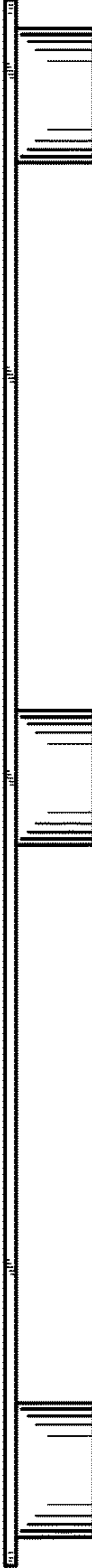


Fig. 4

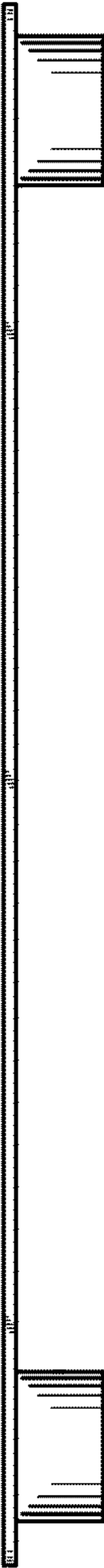


Fig. 5

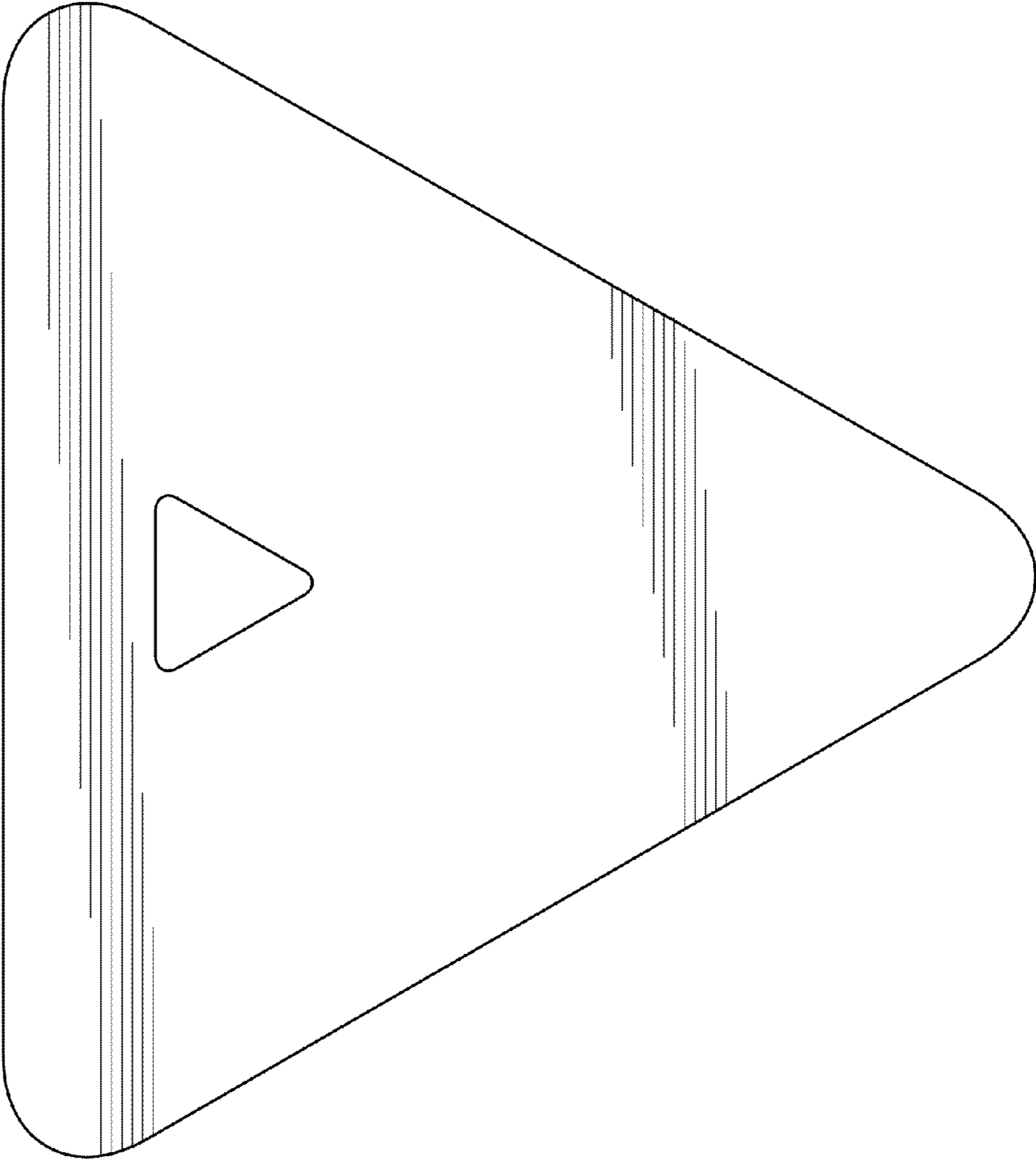


Fig. 6

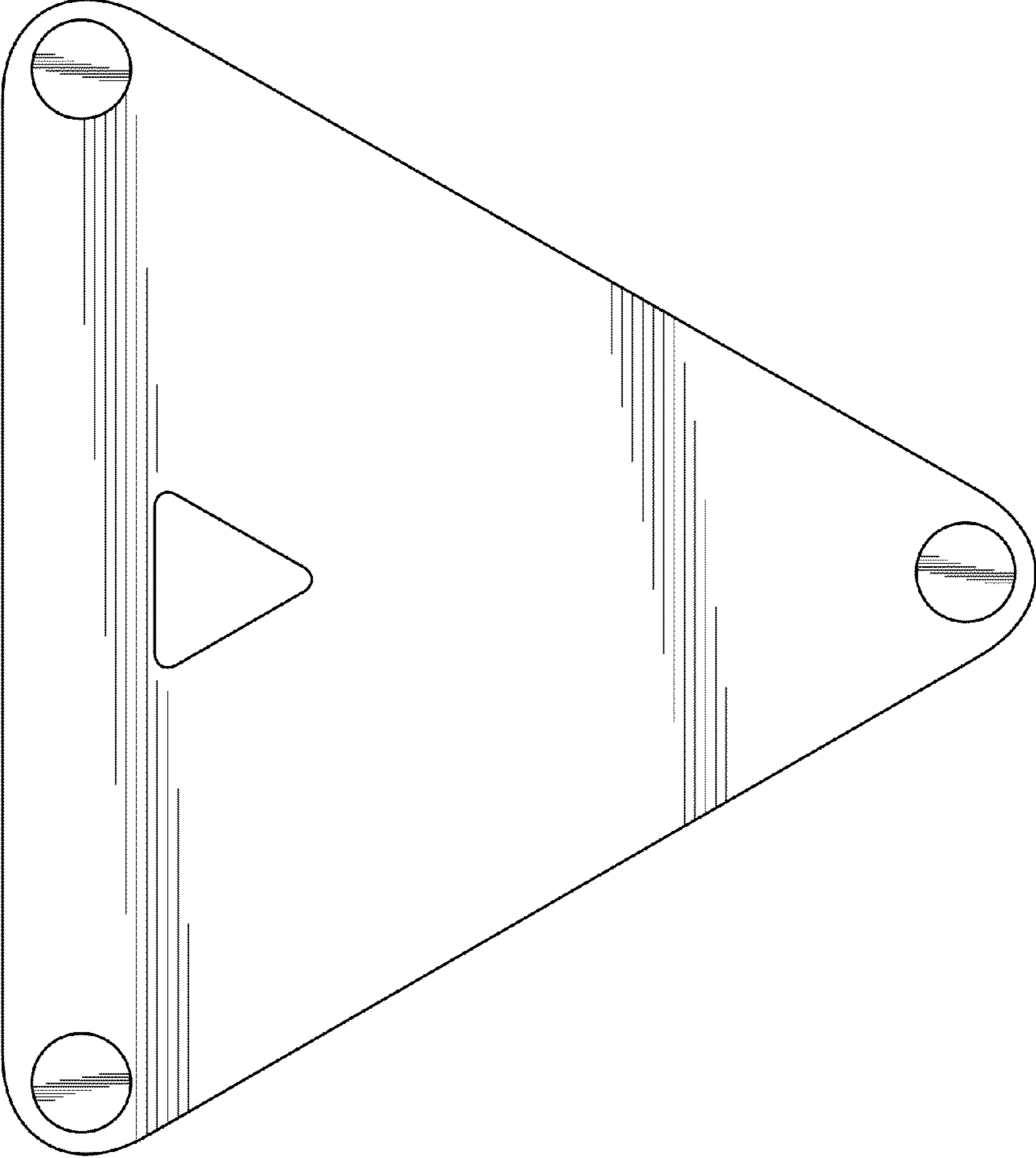


Fig. 7

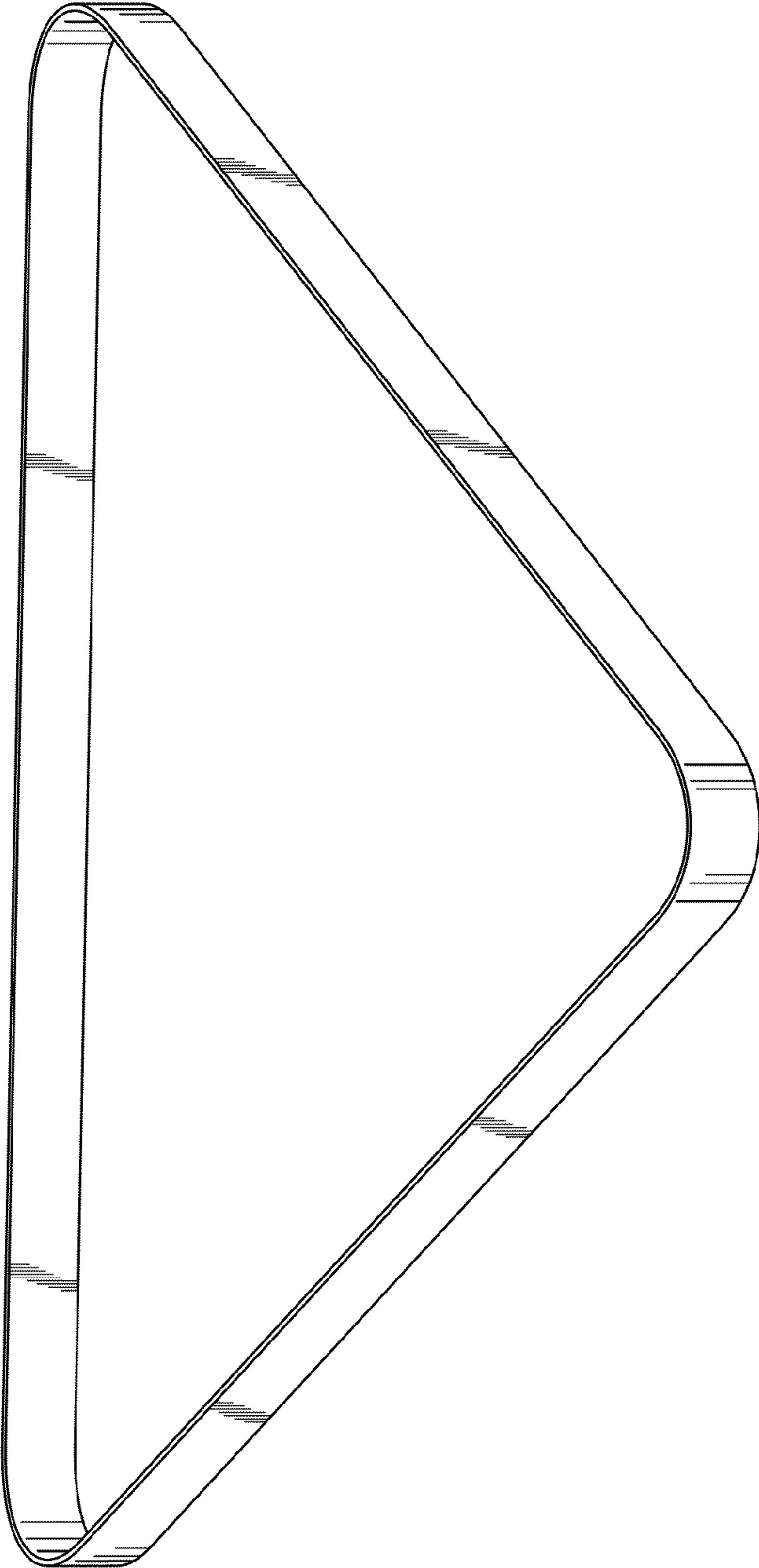


Fig. 8

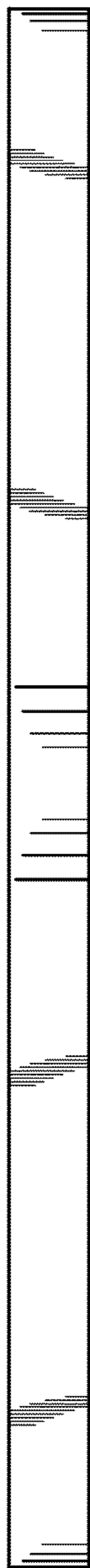


Fig. 9



Fig. 10

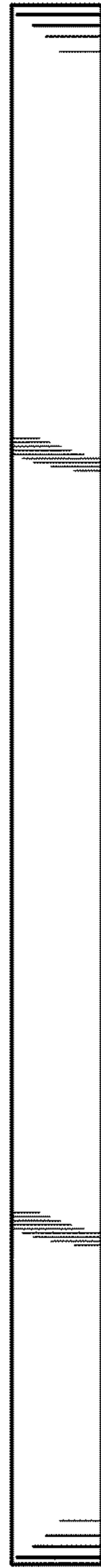


Fig. 11

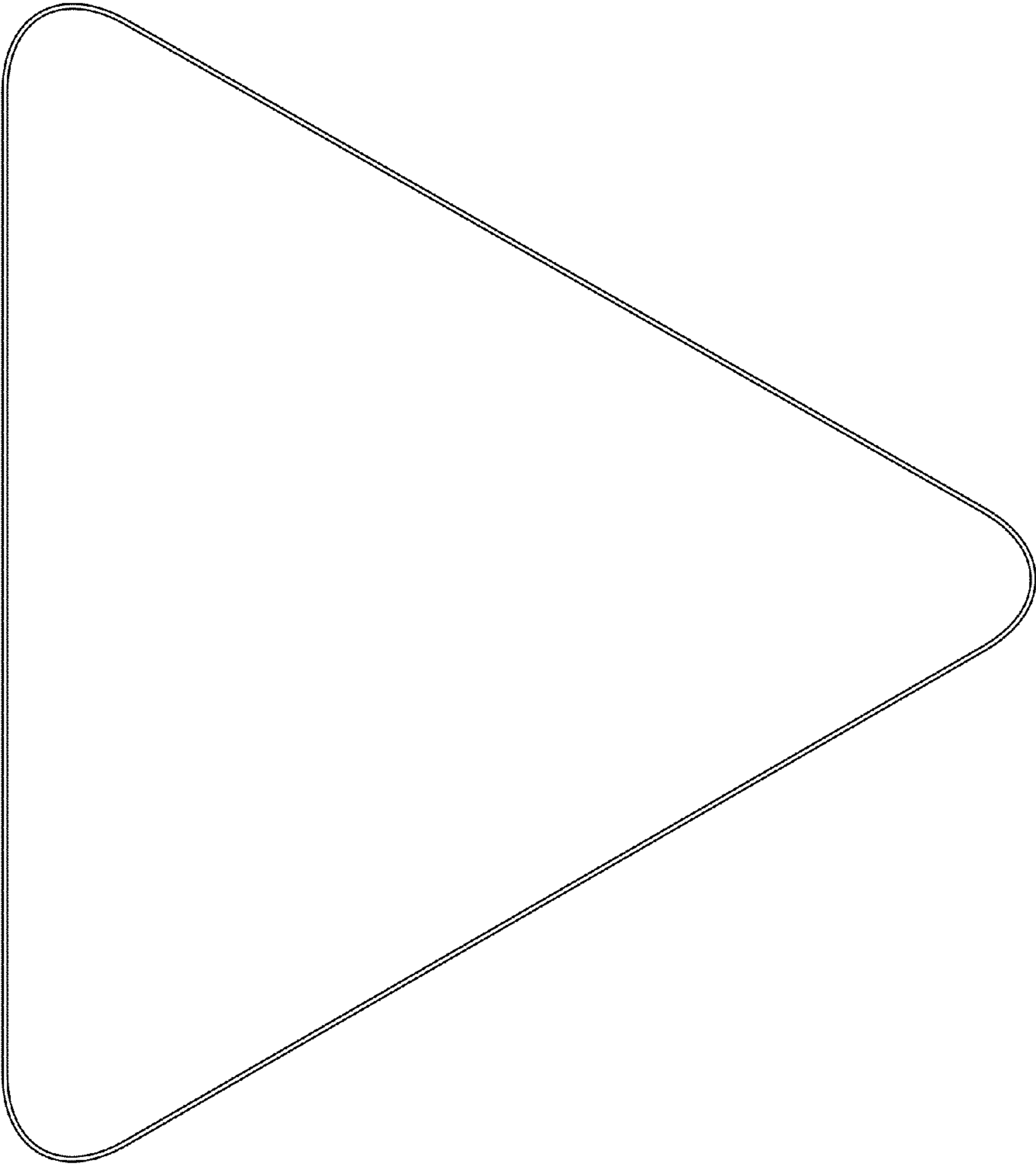


Fig. 12