



US00D728712S

(12) **United States Design Patent**  
**Likins**

(10) **Patent No.:** **US D728,712 S**

(45) **Date of Patent:** **\*\* \*May 5, 2015**

(54) **BASKETBALL HOOP ASSEMBLY**

(76) Inventor: **Clinton Reno Likins**, New Albany, IN  
(US)

(\*) Notice: This patent is subject to a terminal disclaimer.

(\*\*) Term: **14 Years**

(21) Appl. No.: **29/384,830**

(22) Filed: **Feb. 4, 2011**

(51) **LOC (10) Cl.** ..... **21-02**

(52) **U.S. Cl.**  
USPC ..... **D21/701**

(58) **Field of Classification Search**  
USPC ..... D21/302, 303, 305, 699-705, 781;  
473/433, 447, 448, 449, 472, 476-489;  
273/317.3, 348, 354, 382, 389, 398,  
273/400-410

See application file for complete search history.

(56) **References Cited**

**U.S. PATENT DOCUMENTS**

1,563,243	A *	11/1925	Van Gorden	473/485
1,583,011	A *	5/1926	Roe	473/485
1,614,970	A *	1/1927	Sandeberg	473/485
2,254,507	A *	9/1941	Albach et al.	473/485
2,363,634	A *	11/1944	Albach et al.	473/481
3,362,709	A *	1/1968	Rossini	473/485
3,788,642	A *	1/1974	Matras et al.	473/481
4,244,569	A *	1/1981	Wong	473/447
4,786,052	A *	11/1988	Zinger	473/433
4,826,162	A *	5/1989	Allen	473/481

D309,808	S *	8/1990	Phelps et al.	D32/37
5,265,870	A *	11/1993	Merino	473/435
5,299,800	A *	4/1994	Daniels	473/481
D610,639	S *	2/2010	Likins	D21/701
2007/0191148	A1*	8/2007	Shannon	473/476
2007/0213148	A1*	9/2007	Nye	473/485

\* cited by examiner

*Primary Examiner* — Catherine Tuttle

(74) *Attorney, Agent, or Firm* — Joe D Calhoun

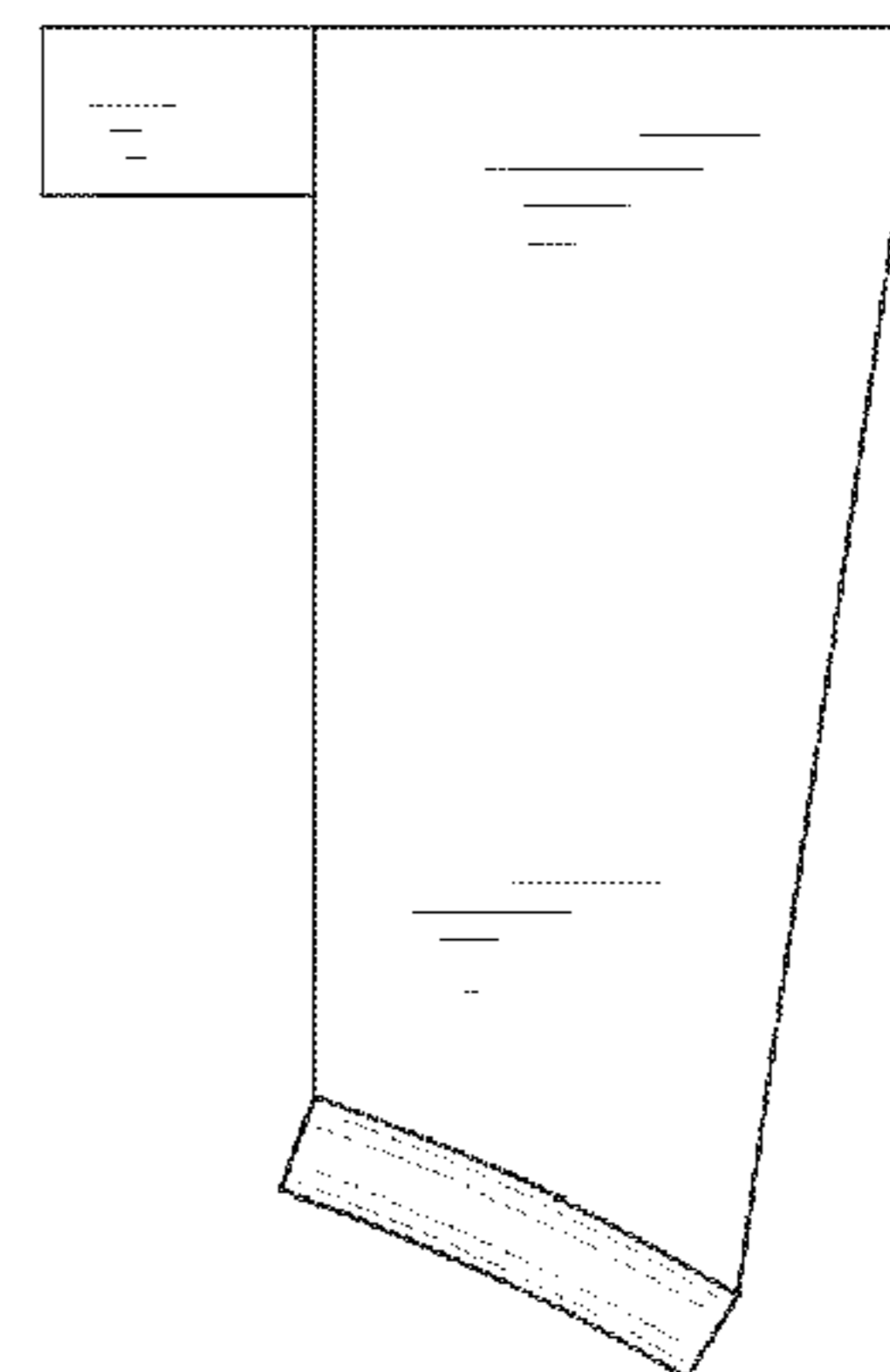
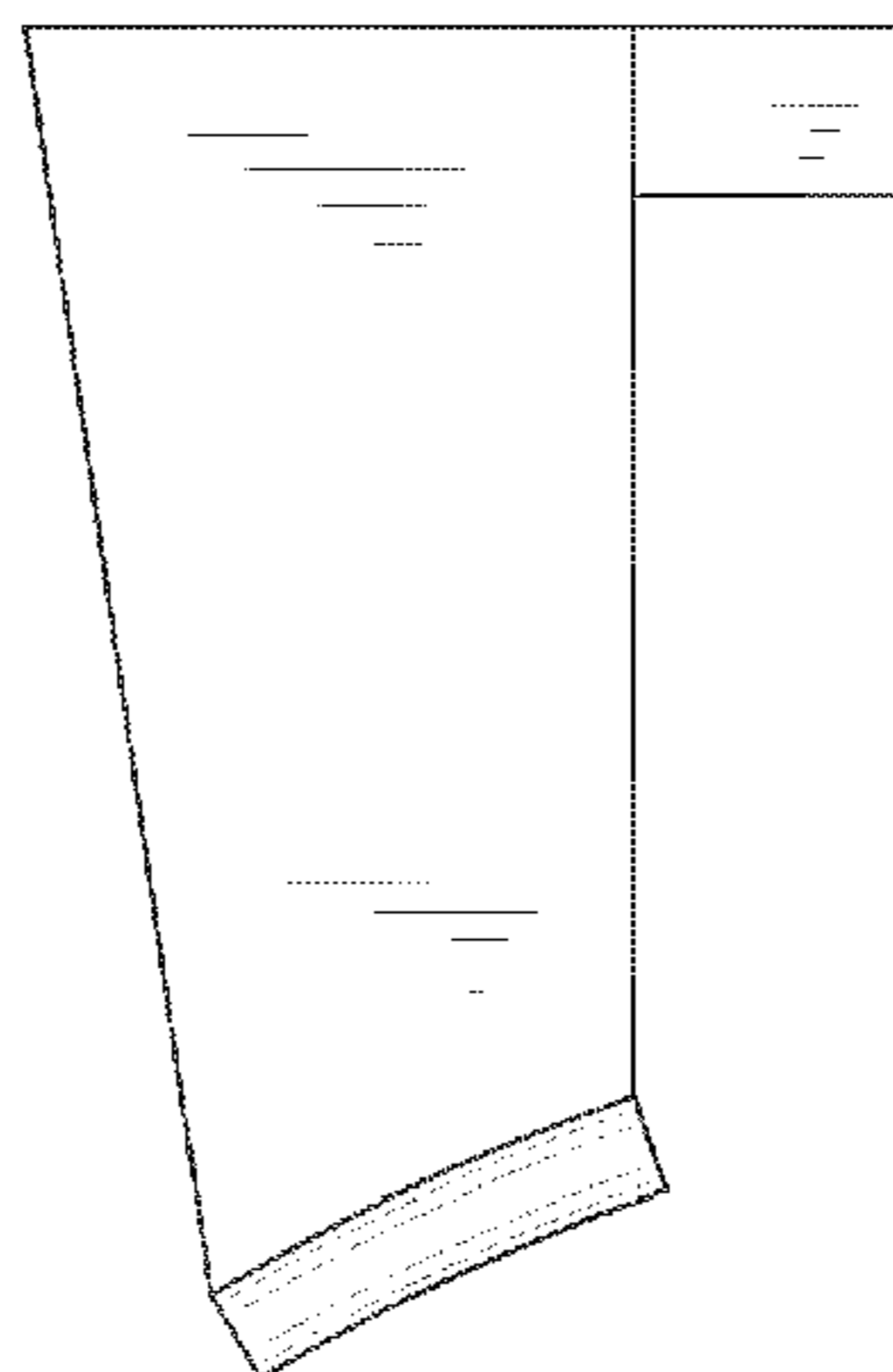
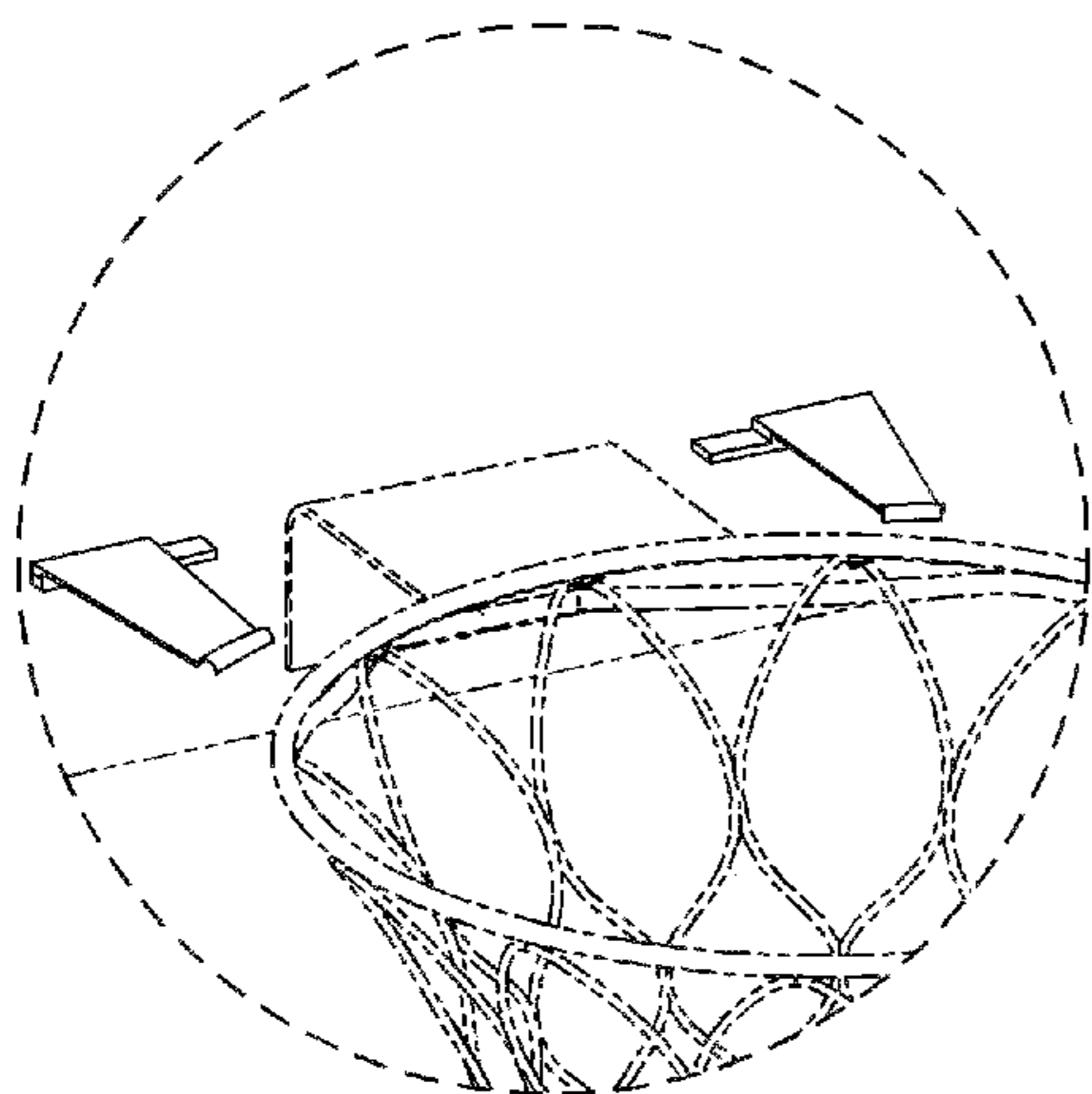
(57) **CLAIM**

The ornamental design for a basketball hoop assembly, as shown and described.

**DESCRIPTION**

FIG. 1 is a perspective view of the basketball hoop assembly showing my new design;  
 FIG. 2 is an enlarged scale, exploded view of the area indicated by circle 2 in FIG. 1;  
 FIG. 3 is a further enlarged top plan view shown separate from the broken line portions depicted in FIGS. 1 and 2;  
 FIG. 4 is a bottom plan view thereof;  
 FIG. 5 is a right side elevational view thereof; and,  
 FIG. 6 is a left side elevational view thereof.  
 The broken lines are included for the purposes of illustrating portions of the basketball hoop assembly that form no part of the claimed design. The broken line circle indicating the area of enlargement likewise forms no part of the claimed design. The appearance within the unshaded edge regions of FIGS. 7 and 8 forms no part of the claimed design.

**1 Claim, 5 Drawing Sheets**



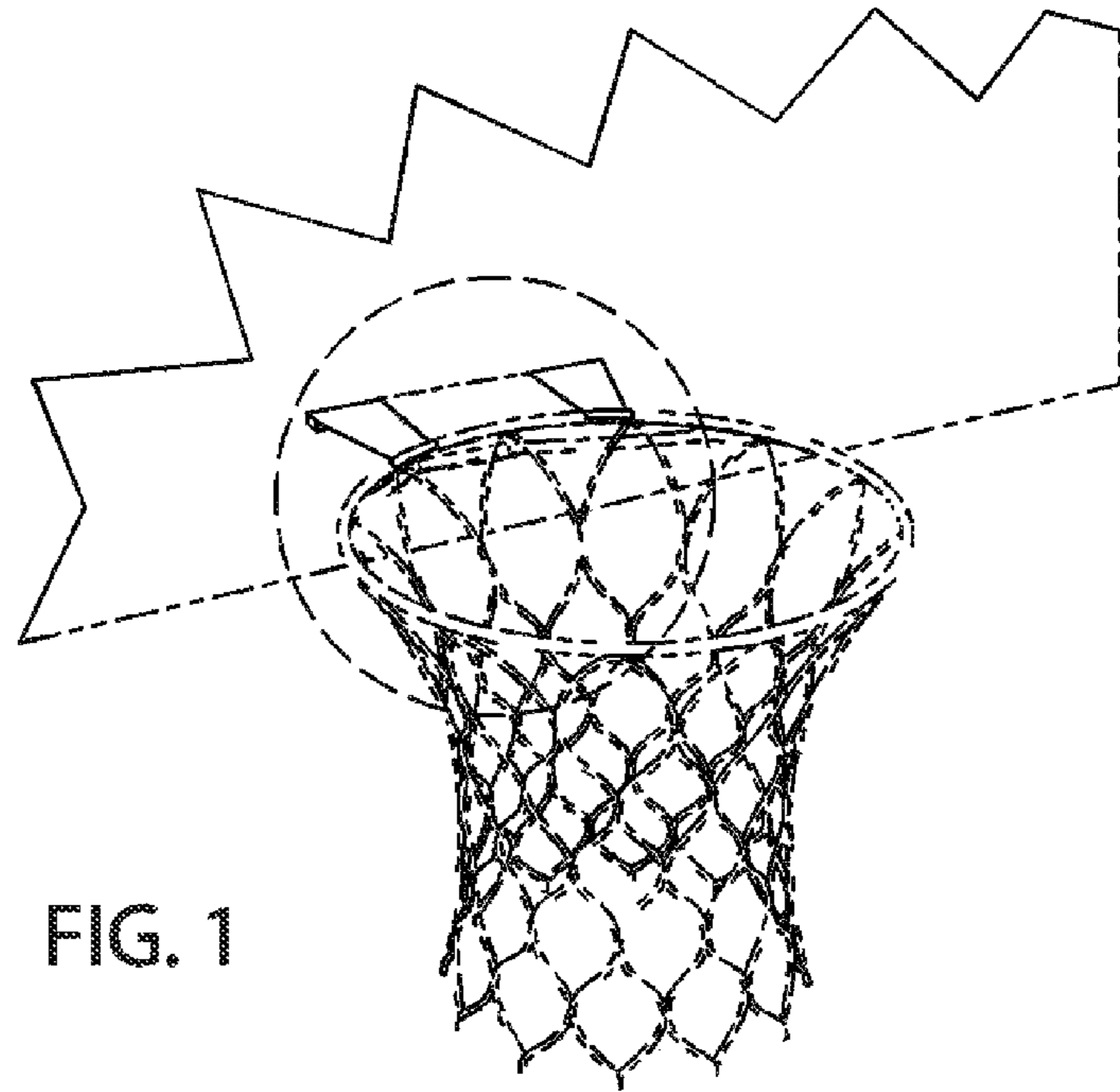


FIG. 1

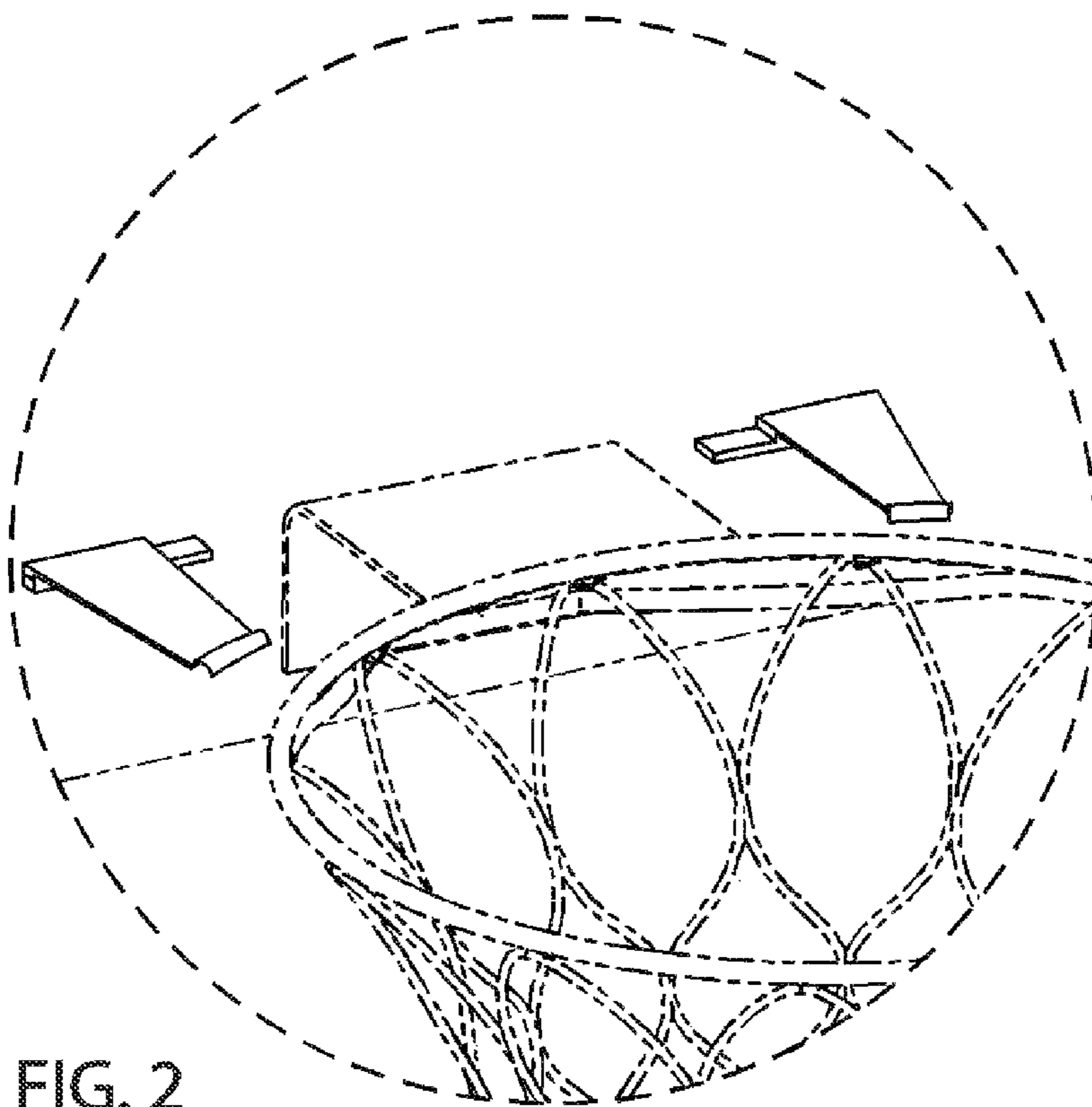


FIG. 2

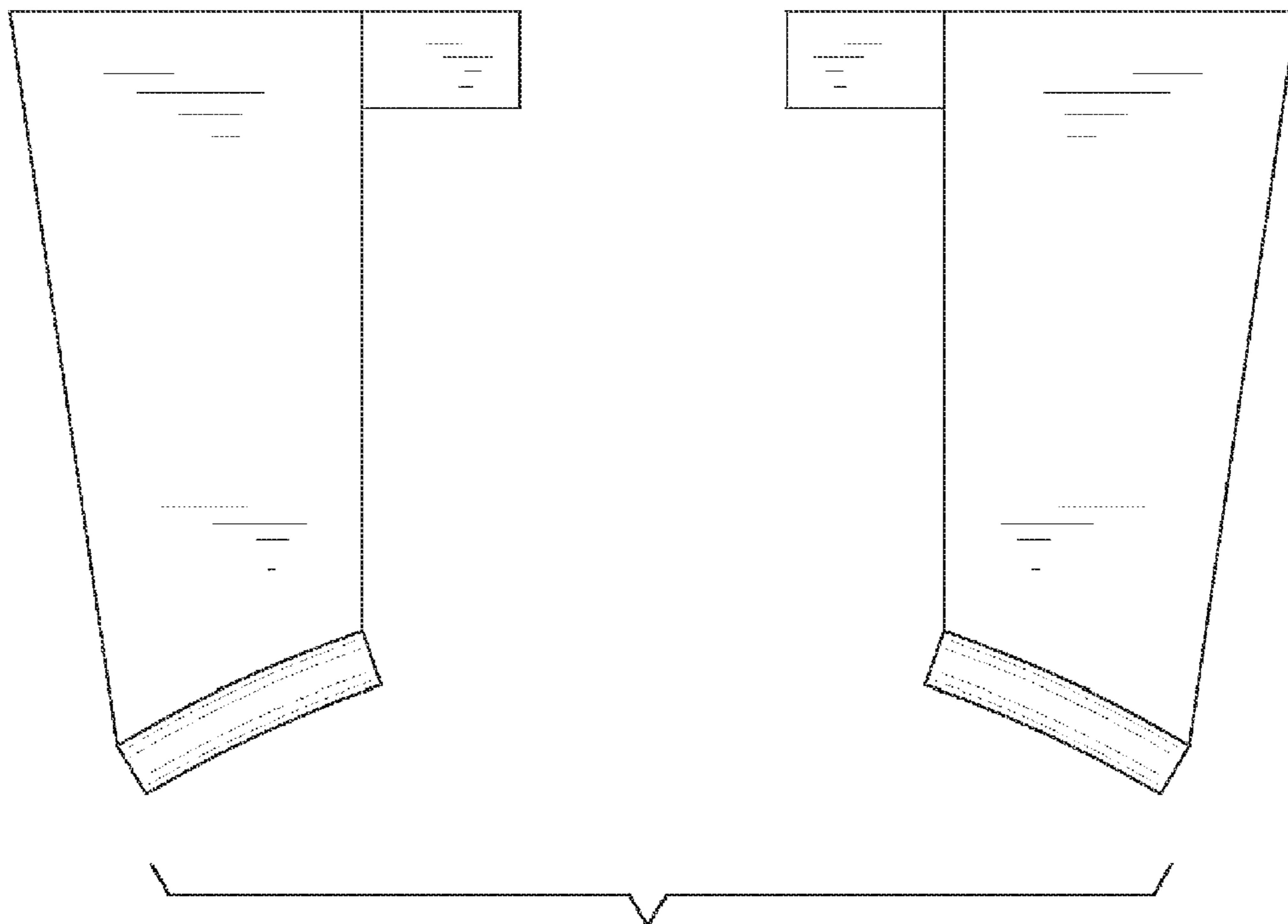


FIG. 3

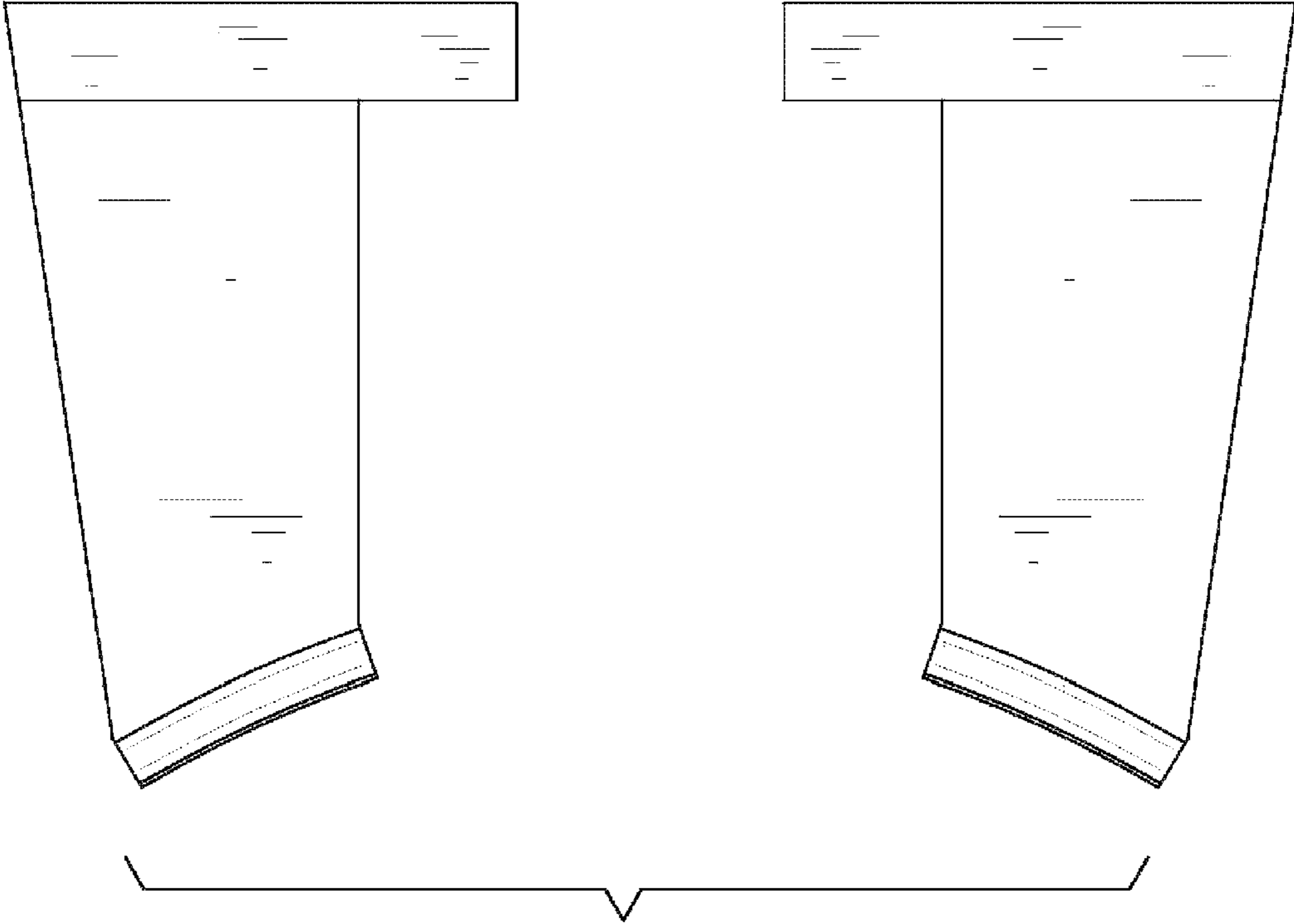


FIG. 4

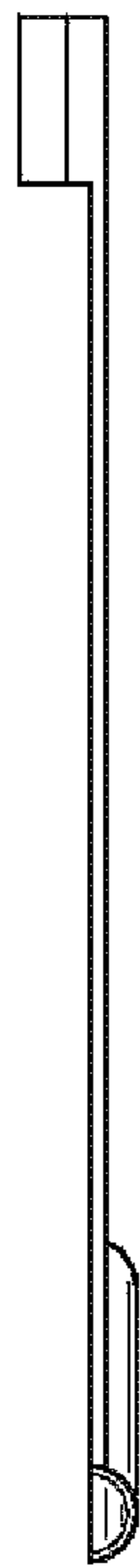


FIG. 5

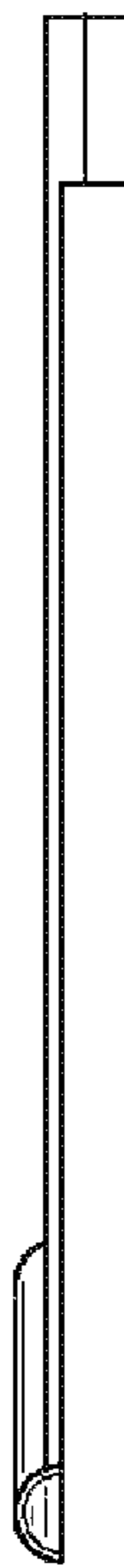


FIG. 6

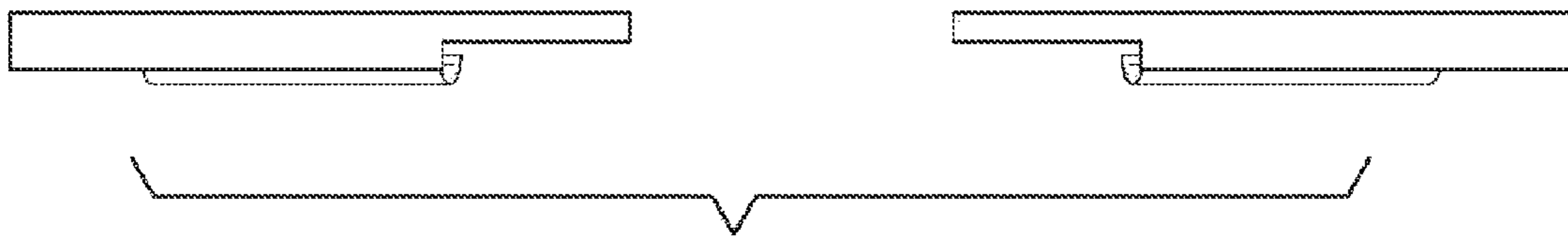


FIG. 7



FIG. 8