



US00D728711S

(12) **United States Design Patent**
Taylor

(10) **Patent No.:** **US D728,711 S**

(45) **Date of Patent:** **** May 5, 2015**

(54) **EXERCISE TRAINING HANDLES**

(71) Applicant: **Vincent Anthony Taylor**, Pembroke Pines, FL (US)

(72) Inventor: **Vincent Anthony Taylor**, Pembroke Pines, FL (US)

(**) Term: **14 Years**

(21) Appl. No.: **29/484,429**

(22) Filed: **Mar. 10, 2014**

(51) **LOC (10) Cl.** **21-02**

(52) **U.S. Cl.**
USPC **D21/694**

(58) **Field of Classification Search**
CPC A63F 2300/8029; A63B 59/0014
USPC D21/398, 400, 405, 455, 465, 466, 468, D21/682, 694, 713, 798; 482/49, 139; 446/307, 330, 333, 334, 336; 473/423, 473/424, 425, 426, 427, 429, 430, 431, 505, 473/506, 508

See application file for complete search history.

(56) **References Cited**

U.S. PATENT DOCUMENTS

3,157,962	A *	11/1964	Bonnelly	446/247
3,325,940	A *	6/1967	Davis	446/242
D226,106	S *	1/1973	Urquhart	D21/466
D317,032	S *	5/1991	Eckler	D21/694

D326,484	S *	5/1992	Nwoke	D21/466
D337,621	S *	7/1993	Wong	D21/466
5,492,335	A *	2/1996	Videnov	473/576
D394,703	S *	5/1998	Wijaranakula	D23/368
D433,464	S *	11/2000	Macri	D21/466
7,163,496	B1 *	1/2007	Trotter	482/126
2006/0111221	A1 *	5/2006	Williams	482/139
2012/0208657	A1 *	8/2012	Simpson	473/424
2014/0329650	A1 *	11/2014	Watry	482/139
2014/0368658	A1 *	12/2014	Costa et al.	348/158

* cited by examiner

Primary Examiner — Philip S Hyder

Assistant Examiner — Keith Frank

(57) **CLAIM**

The ornamental design for the exercise training handles, as shown and described.

DESCRIPTION

FIG. 1 is a perspective front view of the exercise training handles;

FIG. 2 is a front elevation view of the exercise training handles;

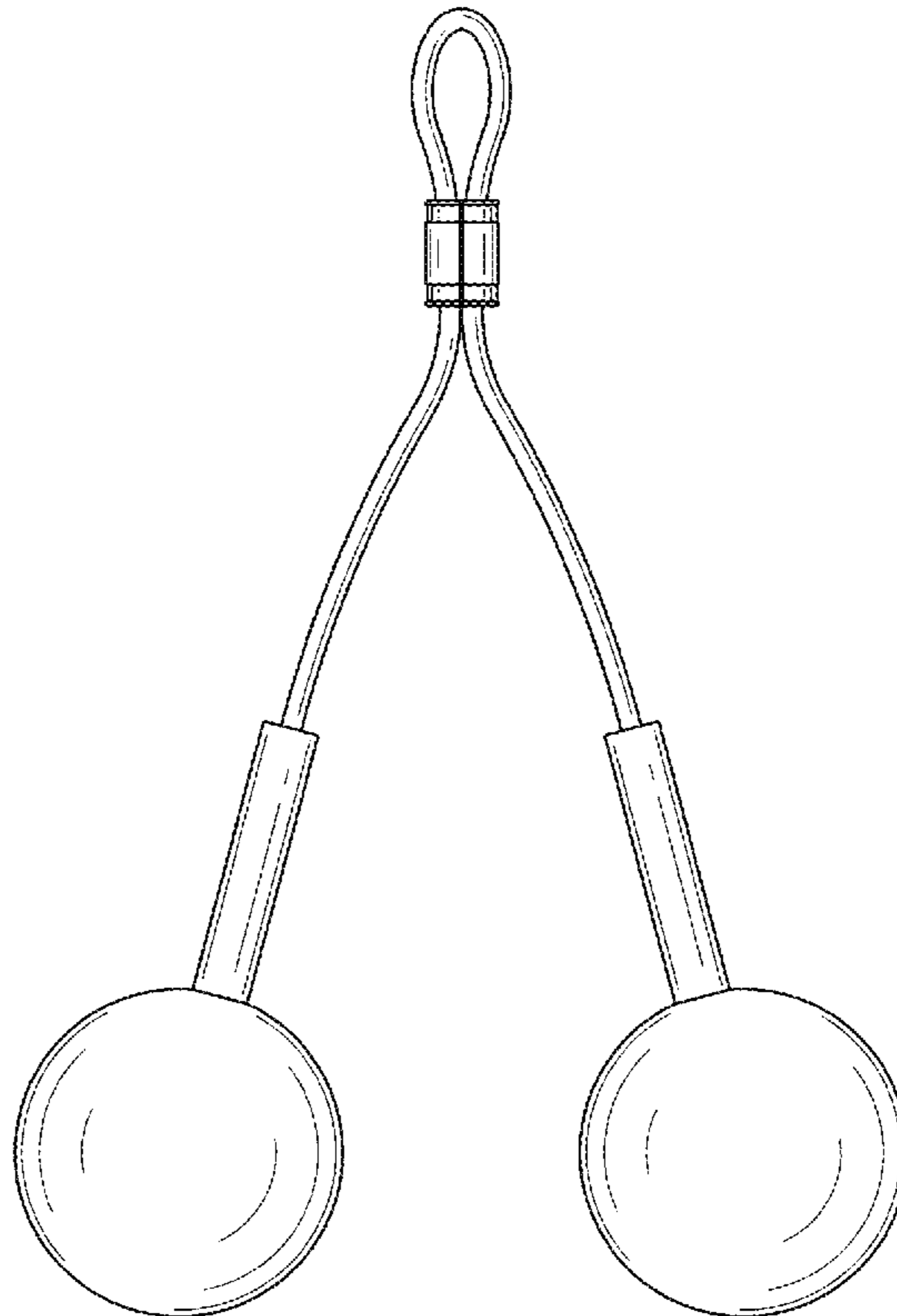
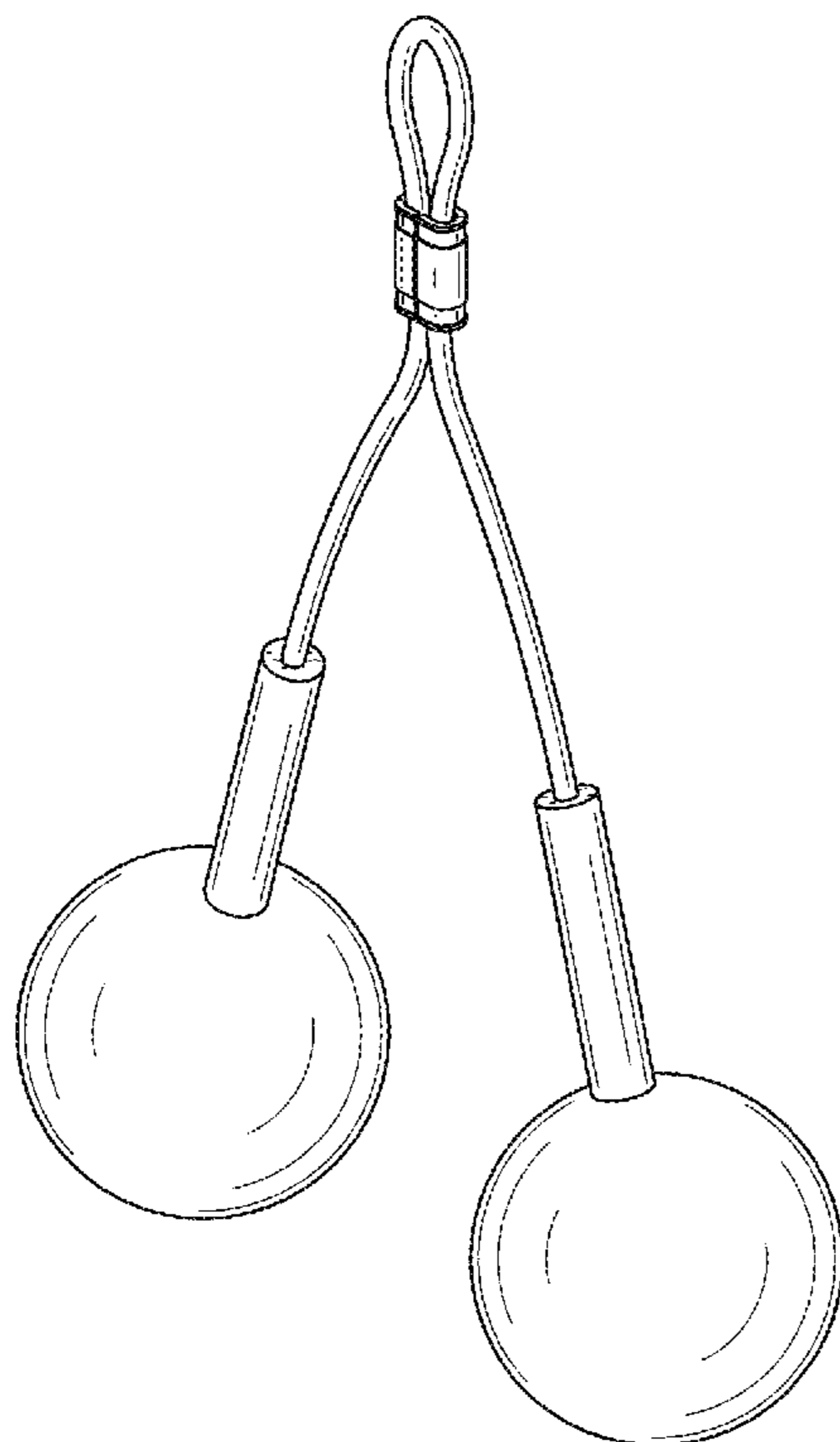
FIG. 3 is a rear elevation view of the exercise training handles;

FIG. 4 is a left side elevation view of the exercise training handles; the right side elevation view being an identical image thereof;

FIG. 5 is a top plan view of the exercise training handles; and,

FIG. 6 is a bottom plan view of the exercise training handles.

1 Claim, 3 Drawing Sheets



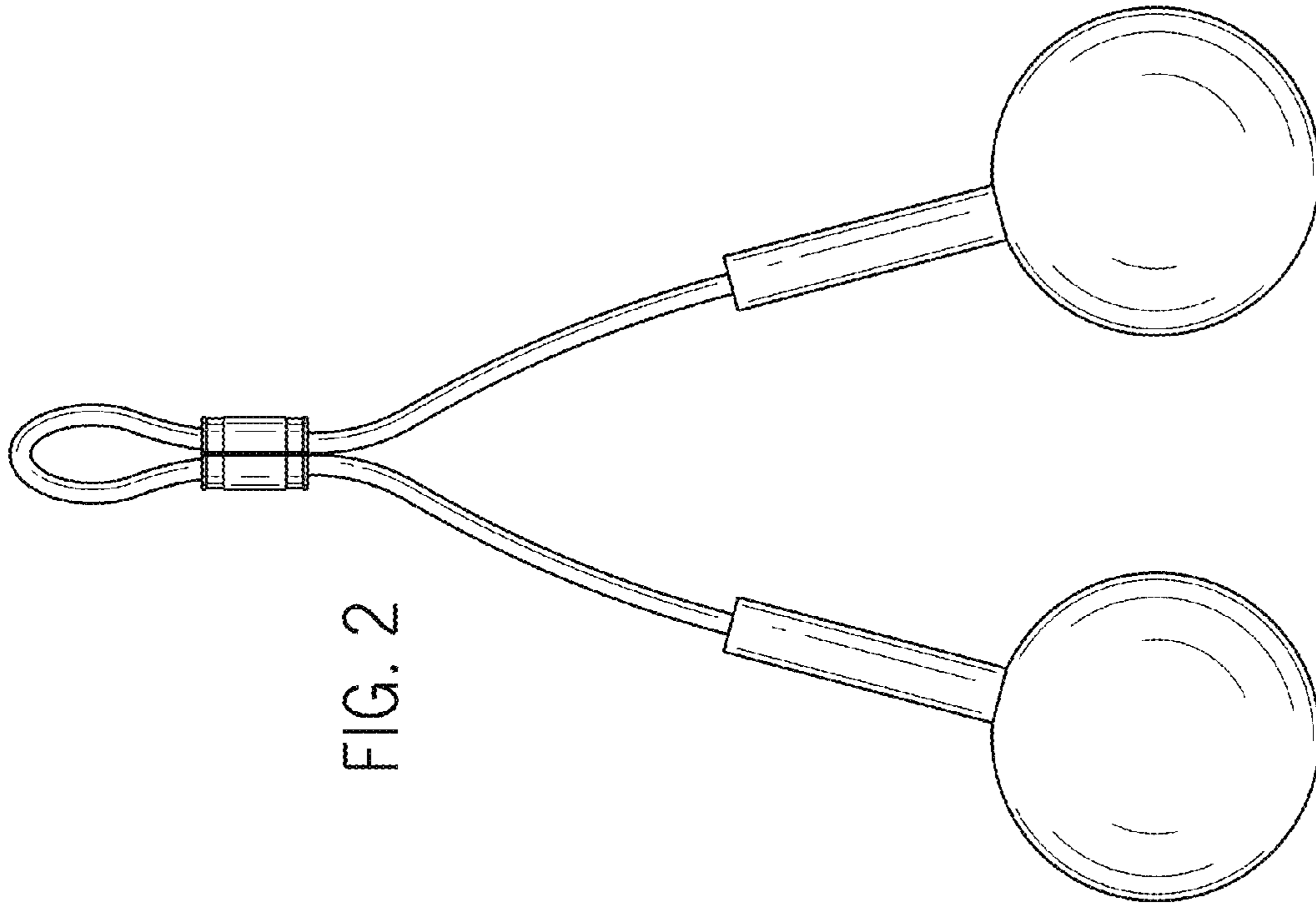


FIG. 2

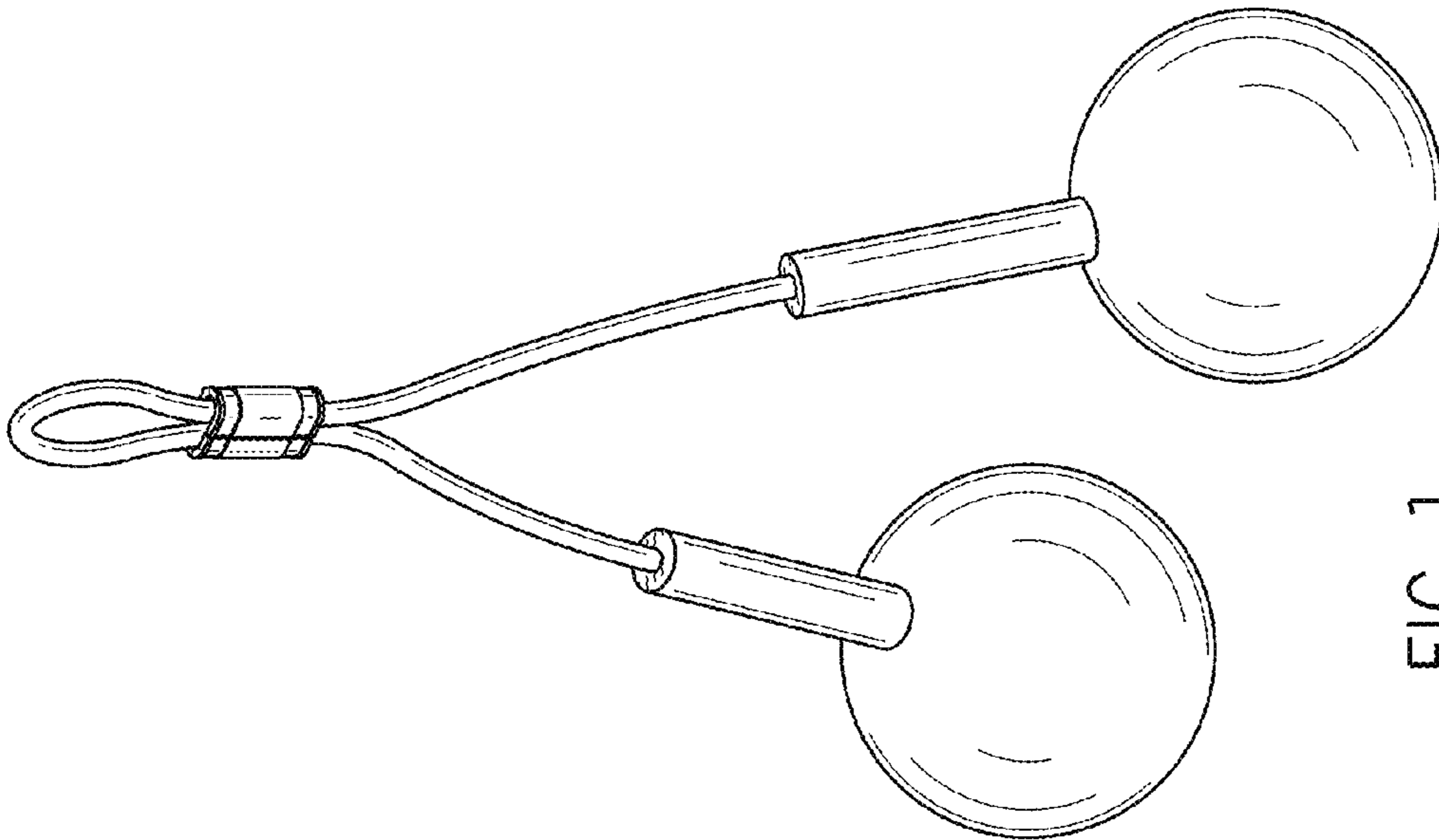


FIG. 1

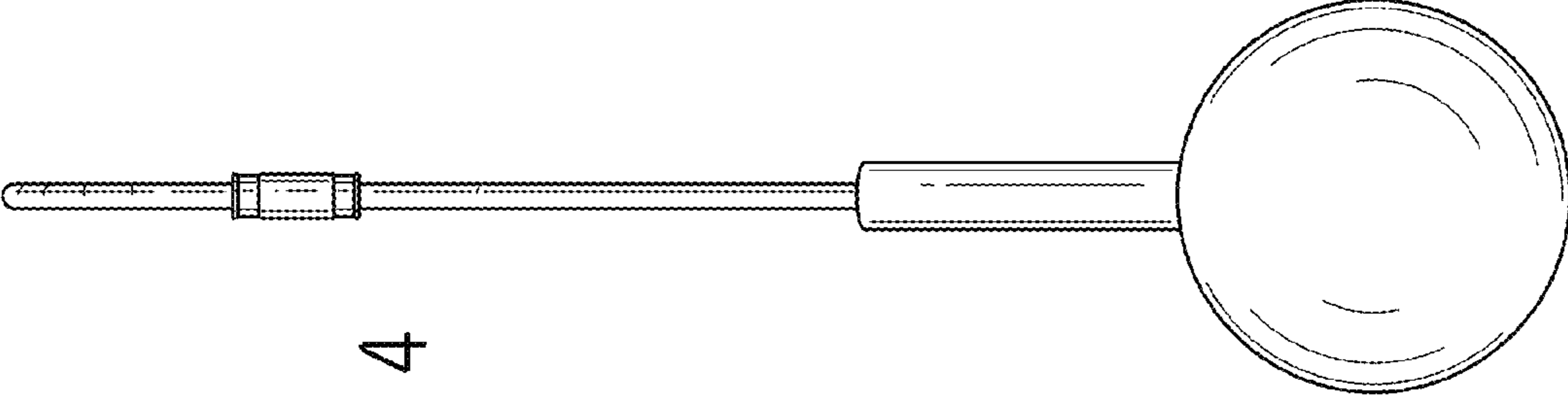


FIG. 4

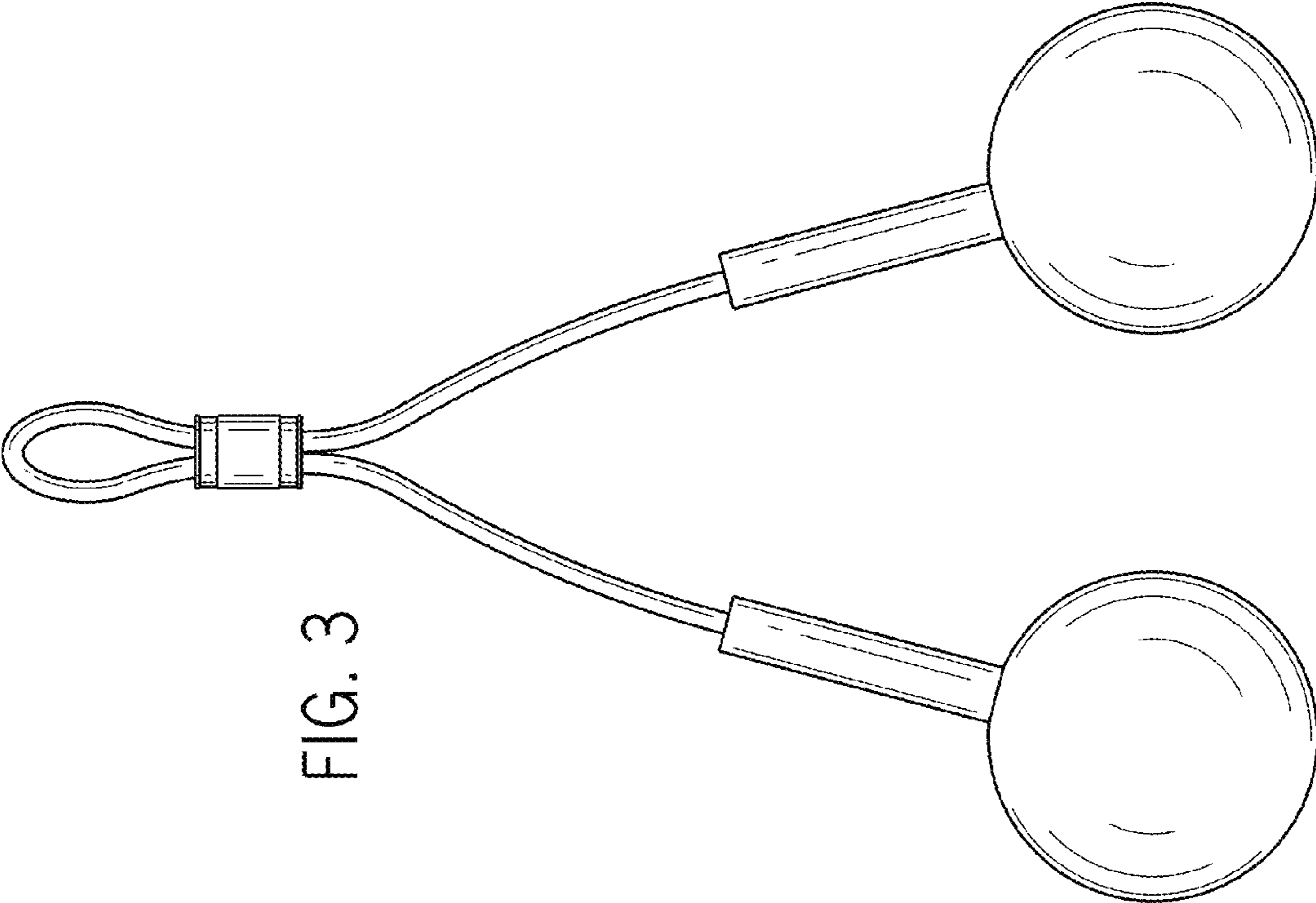


FIG. 3

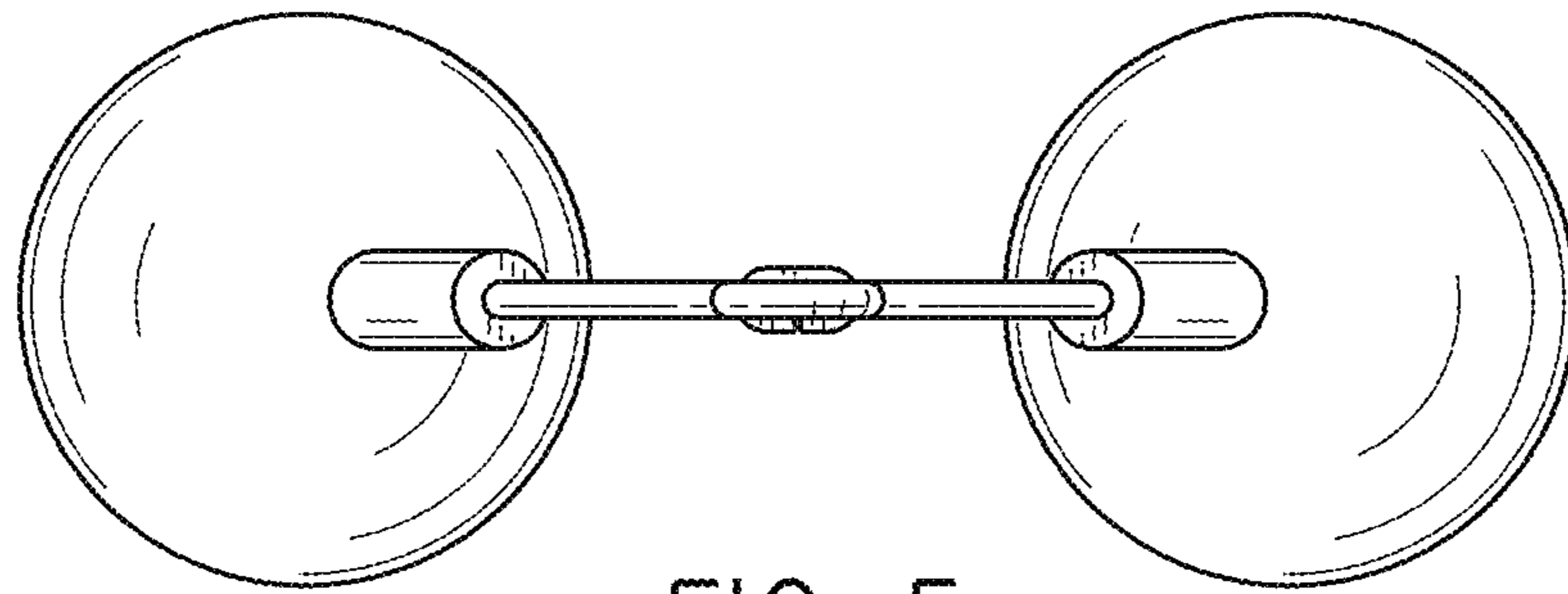


FIG. 5

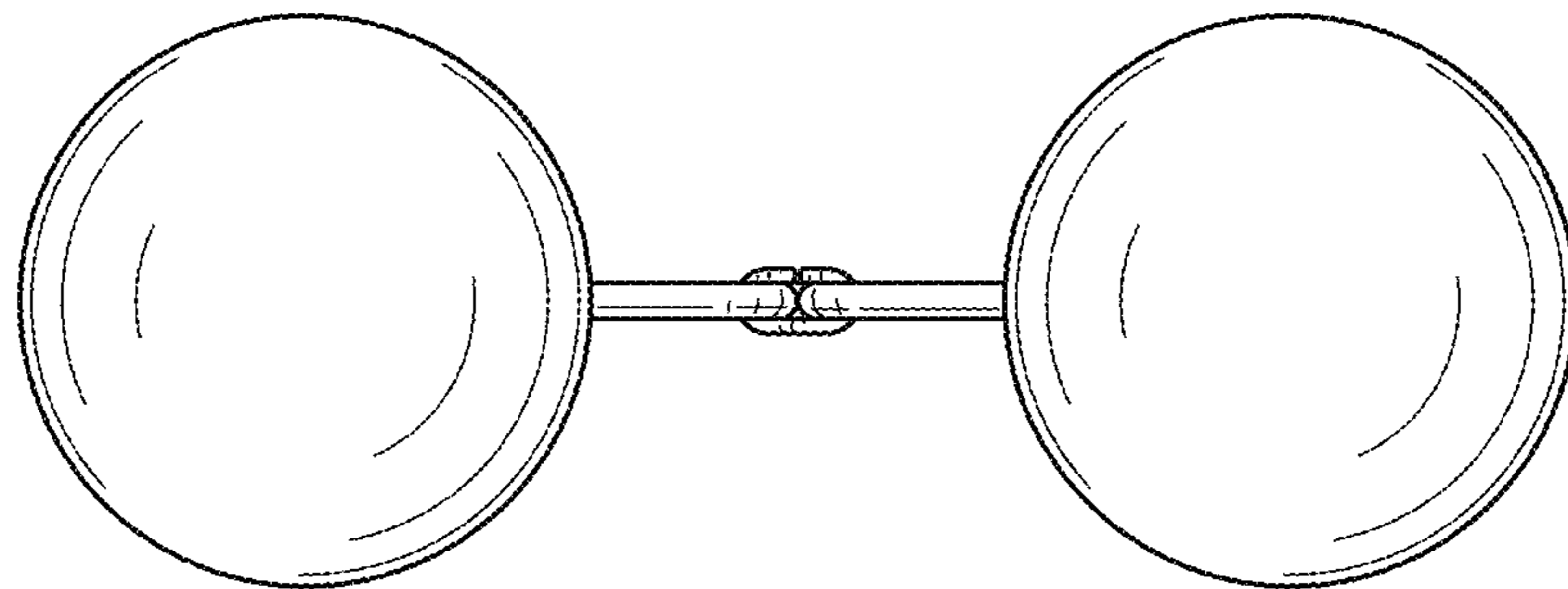


FIG. 6