



US00D728710S

(12) **United States Design Patent**
Koduri et al.

(10) **Patent No.:** **US D728,710 S**
(45) **Date of Patent:** **** May 5, 2015**

(54) **SENSOR SYSTEM FOR A FITNESS MACHINE**

(71) Applicant: **Zsolutionz, LLC**, Sammamish, WA (US)

(72) Inventors: **Sunil Koduri**, Sammamish, WA (US); **John Michael Hand**, Sammamish, WA (US); **Surendra Bhatia**, Kent, WA (US); **Bob Adams**, Kirkland, WA (US); **Jack Ransone**, Wimberley, TX (US); **Shalini Koduri**, Sammamish, WA (US)

(73) Assignee: **Zsolutionz, LLC**, Sammamish, WA (US)

(**) Term: **14 Years**

(21) Appl. No.: **29/479,305**

(22) Filed: **Jan. 14, 2014**

(51) **LOC (10) Cl.** **21-02**

(52) **U.S. Cl.**

USPC **D21/694**

(58) **Field of Classification Search**

USPC D21/324, 329, 662, 663, 664, 665, 666, 667, 668, 670, 679, 694; 482/8, 9, 91, 482/92, 95, 96, 98, 138, 109, 148; 455/556.1, 556.12, 556.2; 382/321; 345/905, 173; 361/679.56; D10/46, 47, D10/60, 65, 66, 70, 104.1, 106.1, 106.7, D10/125, 109; D19/60; D14/127, 329, 336; D6/308, 310

See application file for complete search history.

(56) **References Cited**

U.S. PATENT DOCUMENTS

D296,385 S * 6/1988 Lenihan D3/201
(Continued)

FOREIGN PATENT DOCUMENTS

EP 0569879 3/2013
WO W02013034987 11/1993
WO WO9421171 9/1994

OTHER PUBLICATIONS

Bauknecht, "We test it—The New Precor Adaptive Motion Trainer", Northwest Runner, Oct. 2013, pp. 14-15.

(Continued)

Primary Examiner — Philip S Hyder

Assistant Examiner — Keith Frank

(74) *Attorney, Agent, or Firm* — Lee & Hayes, PLLC

(57) **CLAIM**

The ornamental design for a sensor system for a fitness machine, substantially as shown and described.

DESCRIPTION

FIG. 1 is a depiction of a perspective view of the sensor system for a fitness machine.

FIG. 2 is a depiction of a perspective view of a first sensor of the sensor system isolated from the fitness machine.

FIG. 3 is a depiction of a front view of the isolated first sensor.

FIG. 4 is a depiction of a side view of the isolated first sensor.

FIG. 5 is a depiction of a top view of the isolated first sensor.

FIG. 6 is a depiction of a back view of the isolated first sensor.

FIG. 7 is a depiction of a side view of the isolated first sensor.

FIG. 8 is a depiction of a bottom view of the isolated first sensor.

FIG. 9 is a depiction of a perspective view of a second or third sensor of the sensor system isolated from the fitness machine.

FIG. 10 is a depiction of a side view of the isolated second or third sensor.

FIG. 11 is a depiction of a front view of the isolated second or third sensor.

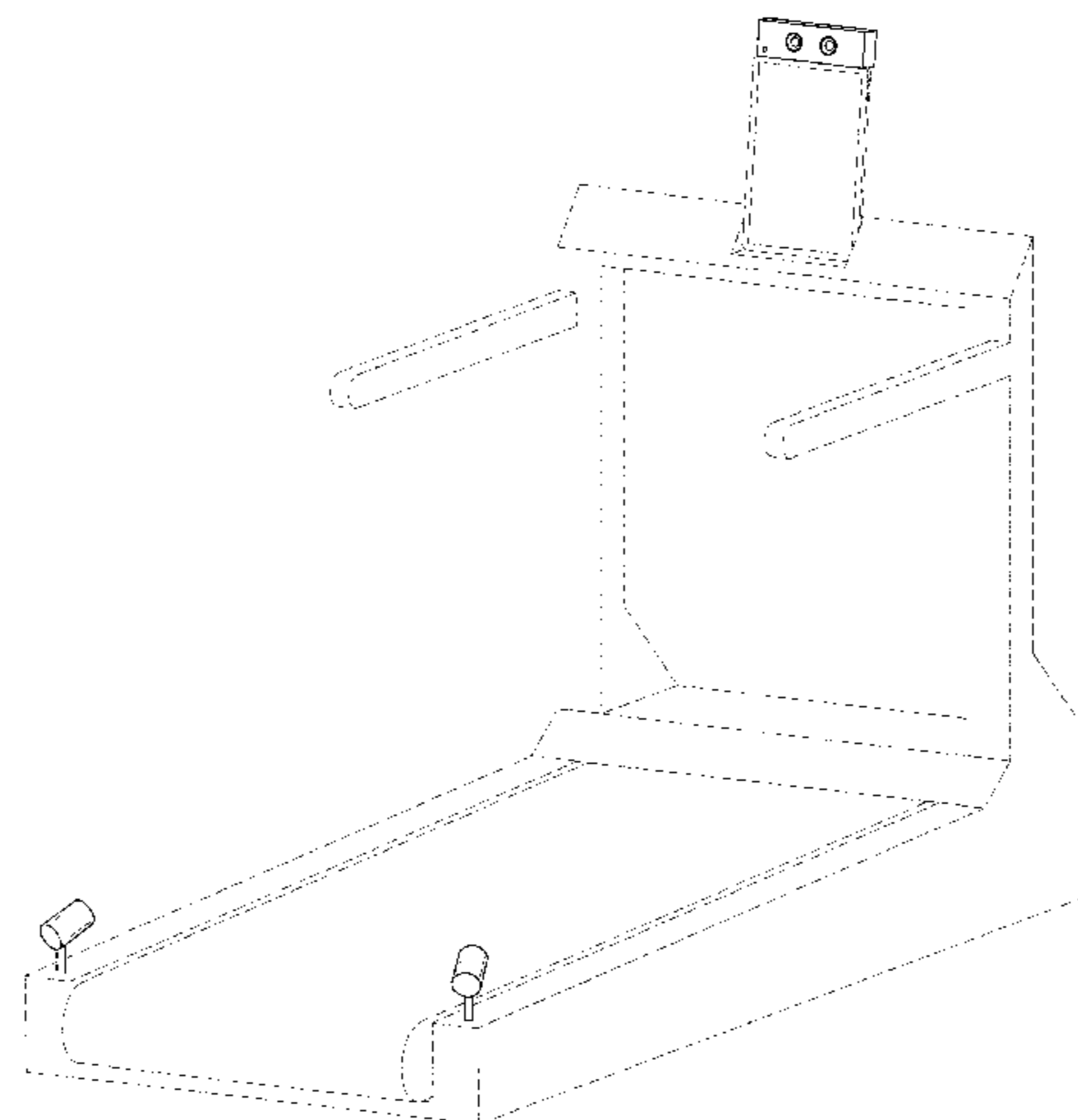
FIG. 12 is a depiction of a top view of the isolated second or third sensor.

FIG. 13 is a depiction of a back view of the isolated second or third sensor; and,

FIG. 14 is a depiction of a bottom view of the isolated second or third sensor.

The broken line showing of a sensor system for a fitness machine is included for the purpose of illustrating environment in which the claimed design is embodied and forms no part of the claimed design.

1 Claim, 5 Drawing Sheets



(56)

References Cited

U.S. PATENT DOCUMENTS

D348,356 S * 7/1994 Nemoto D3/267
 D350,135 S * 8/1994 Polk et al. D14/204
 5,368,532 A 11/1994 Farnet
 5,527,239 A 6/1996 Abbondanza
 5,947,868 A 9/1999 Dugan
 6,152,856 A 11/2000 Studor et al.
 D470,785 S * 2/2003 Vermillion D10/98
 D531,989 S * 11/2006 Dayan D14/215
 D542,959 S * 5/2007 Yao et al. D26/68
 D584,843 S * 1/2009 Kosche D26/66
 D593,426 S * 6/2009 Huang et al. D10/46
 D619,485 S * 7/2010 Ikeda et al. D10/106.7
 D629,549 S * 12/2010 Feigenbaum D26/63
 7,914,420 B2 * 3/2011 Daly et al. 482/9
 D636,769 S 4/2011 Wood et al.
 D637,751 S * 5/2011 Chiu D26/63
 8,007,405 B2 8/2011 Burnfield et al.
 D650,357 S * 12/2011 Chen D14/215
 8,152,695 B2 4/2012 Riley et al.
 8,235,724 B2 8/2012 Gilley et al.
 D678,271 S 3/2013 Chiu
 D684,968 S 6/2013 Smith et al.
 8,537,568 B2 9/2013 Tang
 D693,325 S 11/2013 Lee
 D702,206 S 4/2014 Kim et al.
 D702,232 S 4/2014 Choi
 D705,777 S 5/2014 Groene et al.
 D706,773 S 6/2014 Lu
 D710,349 S 8/2014 Han et al.
 D711,258 S * 8/2014 Jacobs et al. D10/70
 D711,871 S 8/2014 Daniel
 8,803,888 B2 * 8/2014 Buban 345/473
 D712,400 S 9/2014 Kim et al.
 D712,855 S 9/2014 Thompson et al.
 D712,899 S 9/2014 Park et al.
 D712,946 S * 9/2014 Hong D16/202
 D714,746 S 10/2014 Euseok et al.
 D714,782 S 10/2014 Ohshima

D715,795 S 10/2014 McManigal
 D716,265 S * 10/2014 Park et al. D14/215
 D716,293 S 10/2014 Hwang et al.
 D716,799 S 11/2014 Green et al.
 D718,303 S 11/2014 Choteau et al.
 D720,334 S * 12/2014 Wang D14/221
 2002/0055418 A1 5/2002 Pyles et al.
 2005/0039541 A1 * 2/2005 Kurono 73/800
 2005/0070809 A1 3/2005 Acres
 2007/0123389 A1 * 5/2007 Martin 482/8
 2007/0232452 A1 10/2007 Hanoun
 2009/0156363 A1 6/2009 Guidi et al.
 2010/0323846 A1 * 12/2010 Komatsu et al. 482/9
 2011/0016120 A1 1/2011 Haughay, Jr. et al.
 2012/0299846 A1 11/2012 Matsuda
 2013/0225370 A1 8/2013 Flynt et al.
 2013/0307816 A1 11/2013 Lee et al.
 2014/0309082 A1 * 10/2014 Iglehart 482/9

OTHER PUBLICATIONS

Mulrooney, "How to Use My Polar Heart Rate Monitor With Life Fitness Equipment", retrieved from <<<http://www.livestrong.com/article/223981-how-to-use-my-polar-heart-rate-monitor-with-life-fitness-equipment/>>>, Sep. 2, 2010, 7 pages.
 Octane Fitness, "Pro4700 Operations Manual", retrieved on Oct. 21, 2013 from <<<http://www.octanefitness.com/files/octane/filemgmt/files/pro4700-operations-manual-.pdf>>>, 24 pages.
 Ursu, "10-Step Guide: How to Use the Weigh Loss Preset Treadmill Workouts", retrieved on Dec. 19, 2013 from <<<http://www.performbetter.com/webapp/wcs/stores/servlet/PBOnePieceView?storeId=10151&pagename=283>>>, 3 pages.
 Waters, "Benefits of Training With Heart Rate Control", retrieved on Dec. 19, 2013 from <<www.smoothfitness.com/fitness-center/articles/training-with-heart-rate-control.htm>>, Smooth Fitness, 2 pages.
 Office Action for U.S. Appl. No. 29/479,299, mailed on Jan. 7, 2015, Sunil Koduri, "Fitness Machine User Interface", 7 pages.

* cited by examiner

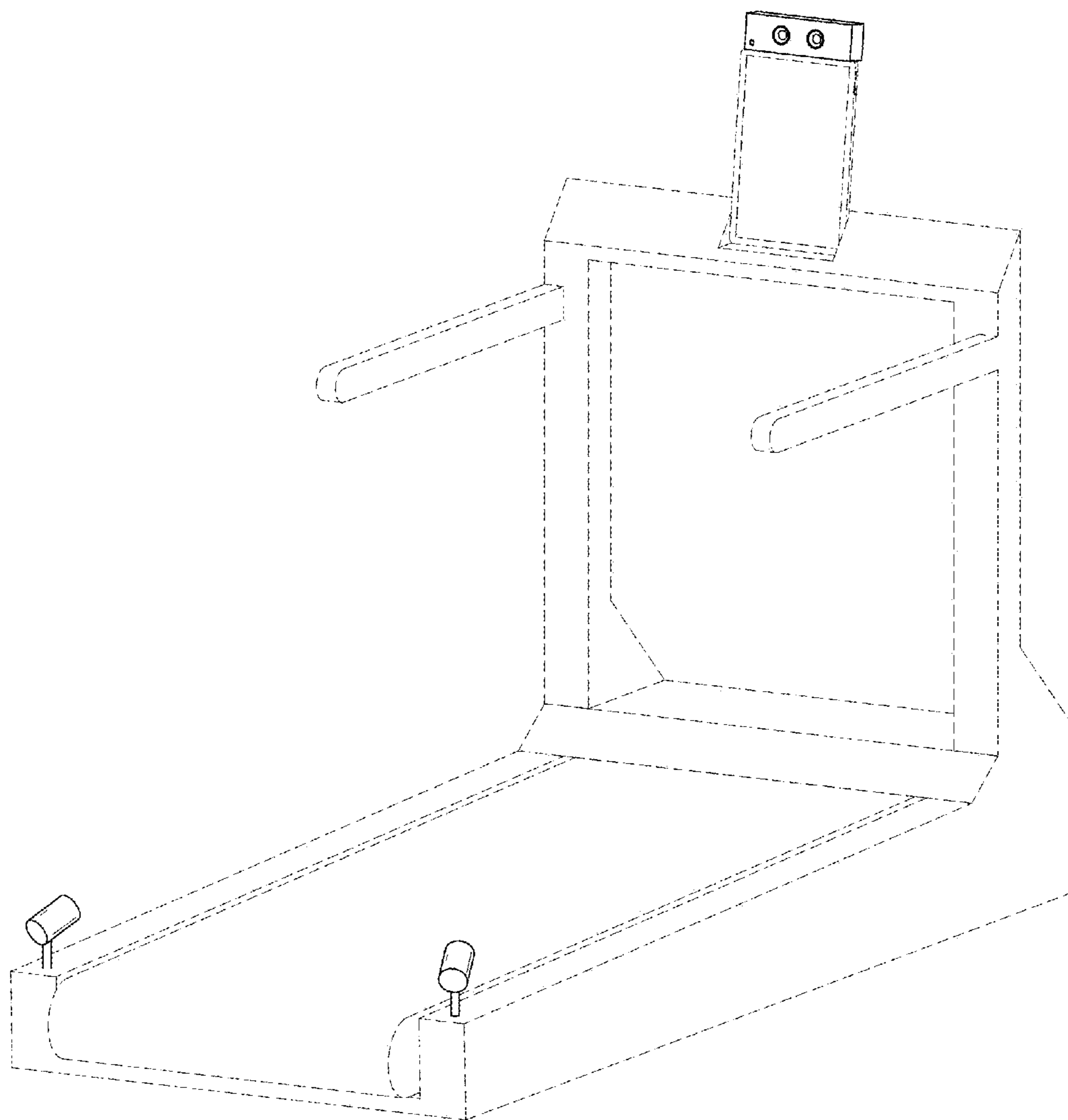


FIG.1

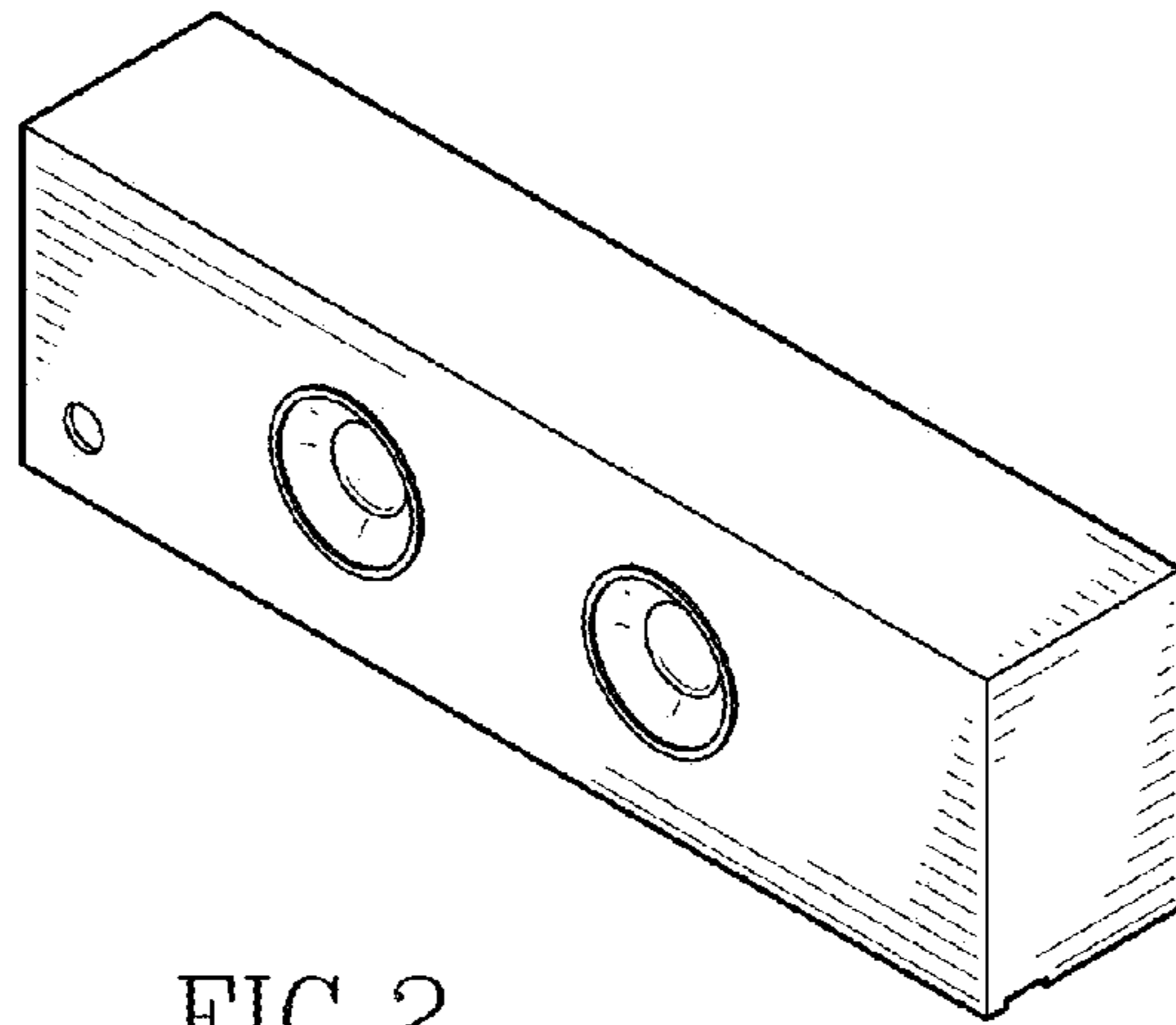


FIG. 2



FIG. 5

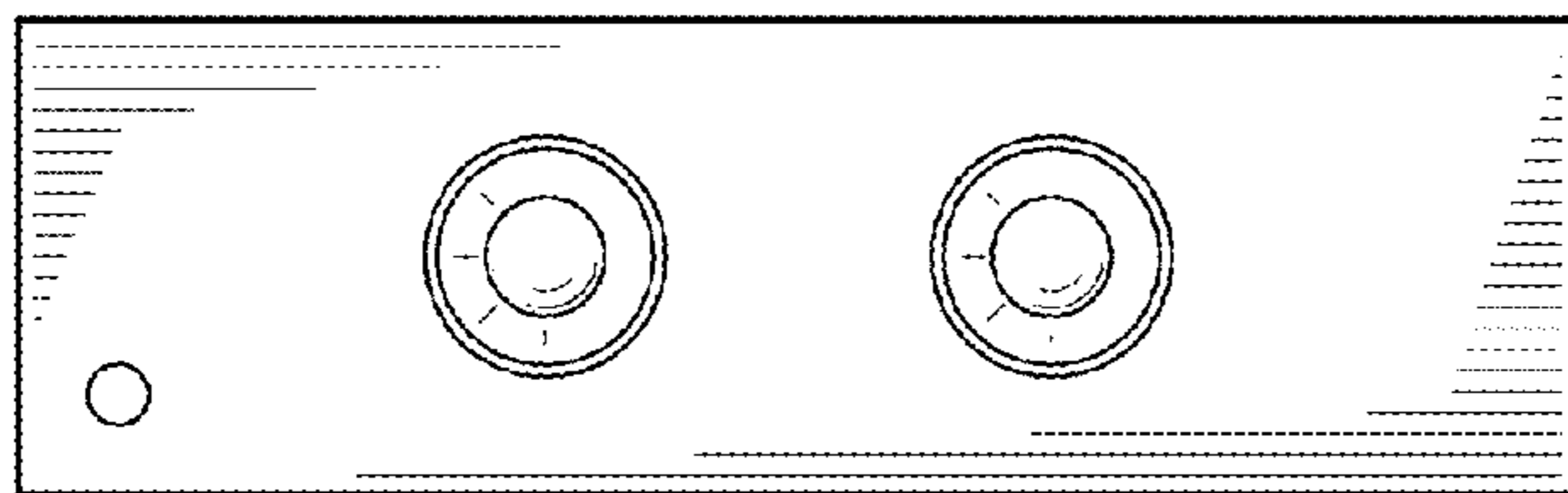


FIG. 3

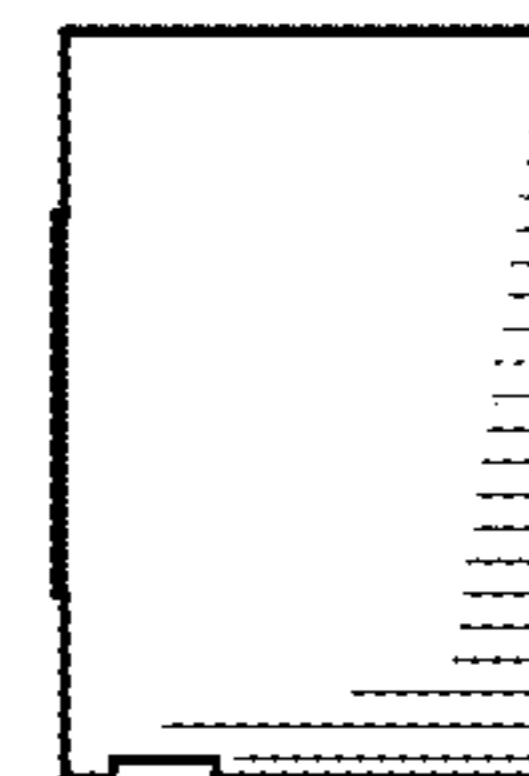


FIG. 4

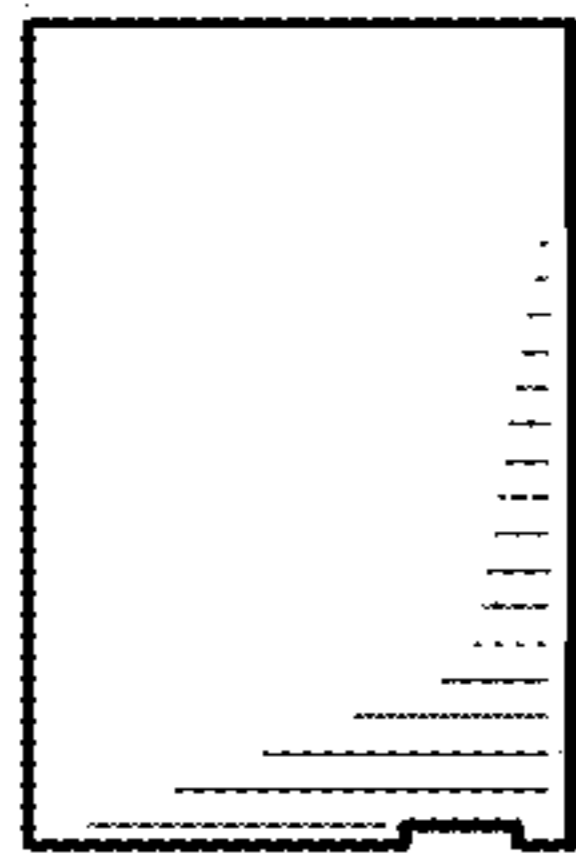


FIG. 7

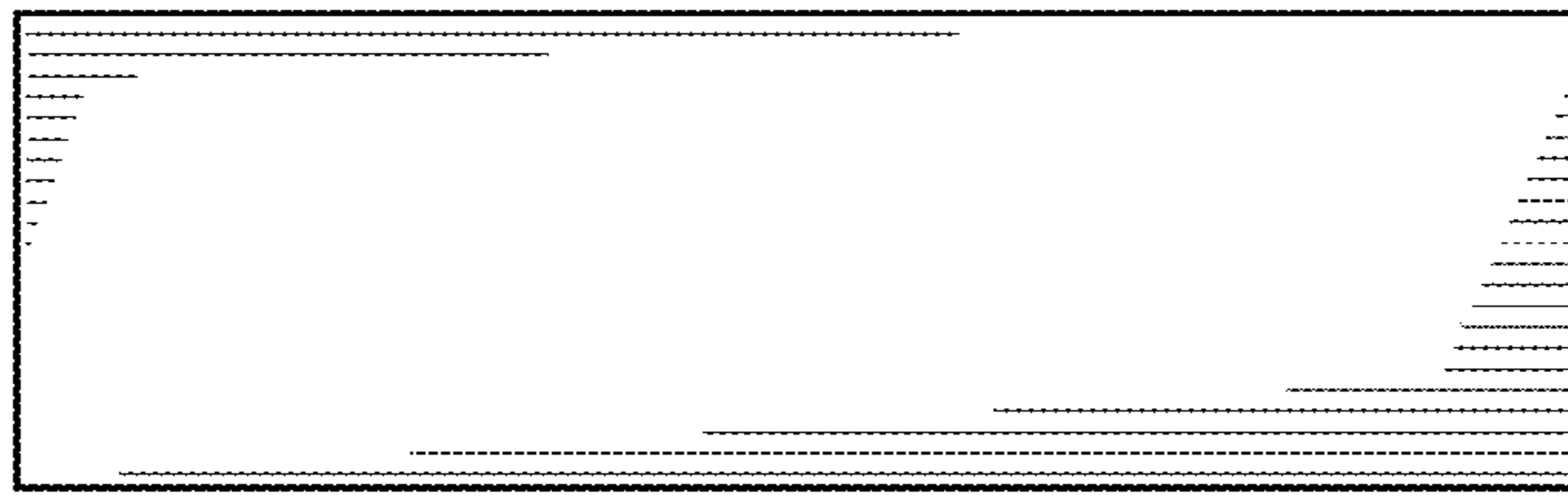


FIG. 6

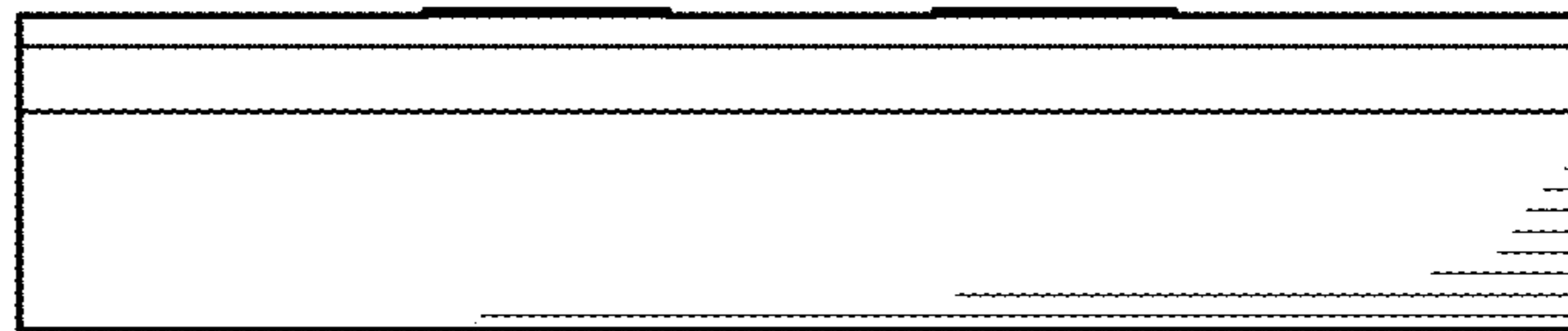


FIG. 8

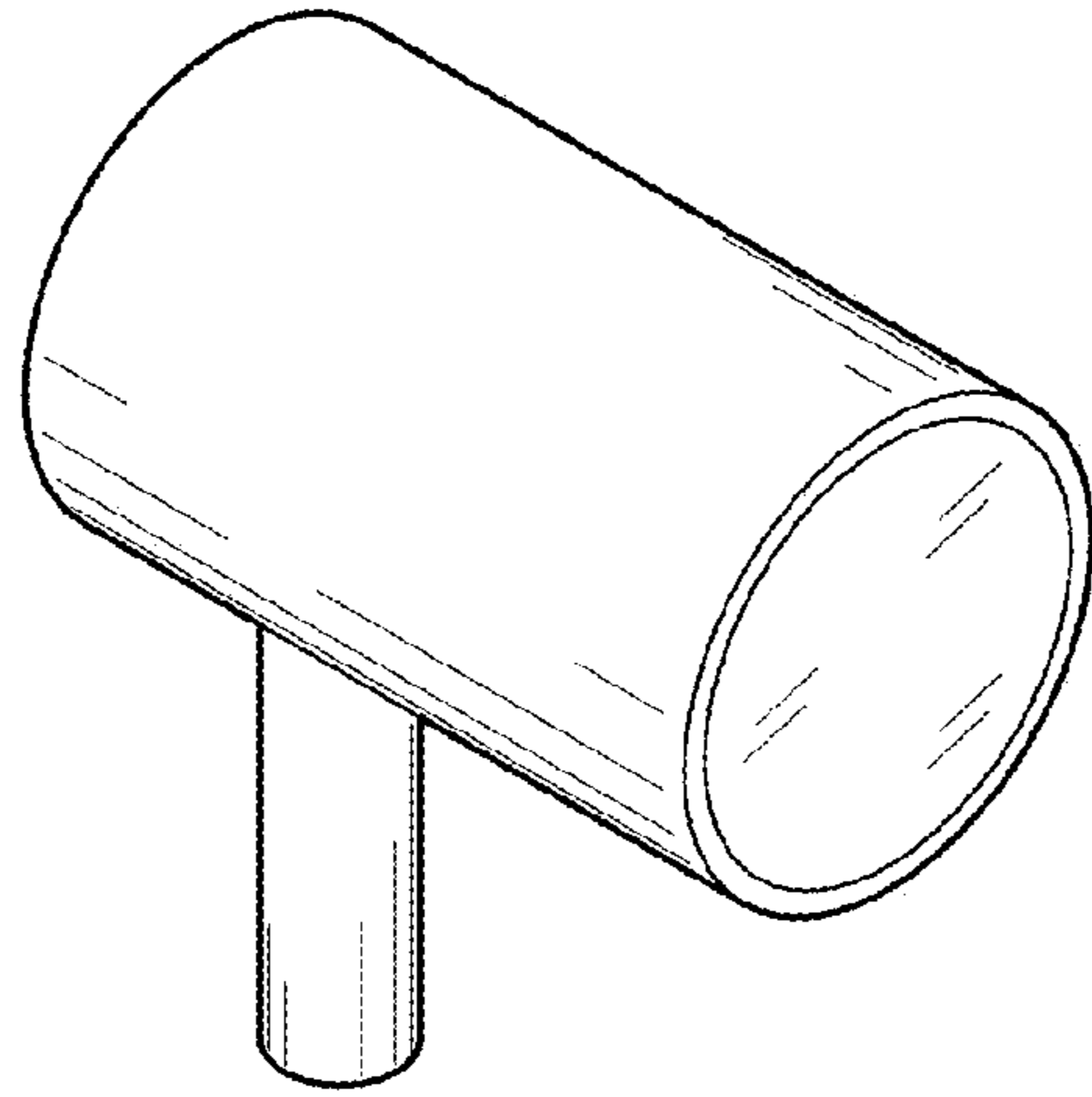


FIG. 9

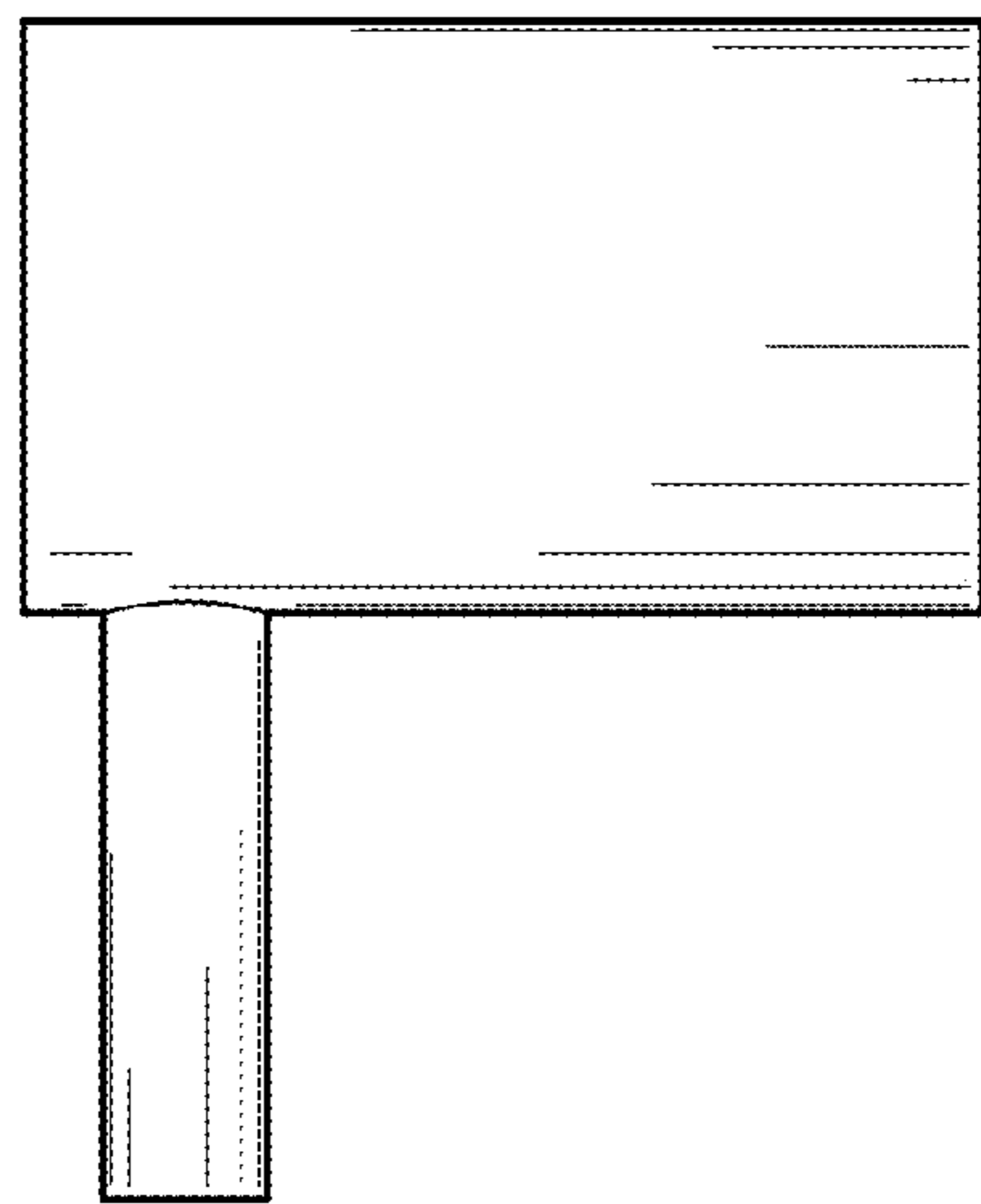


FIG. 10

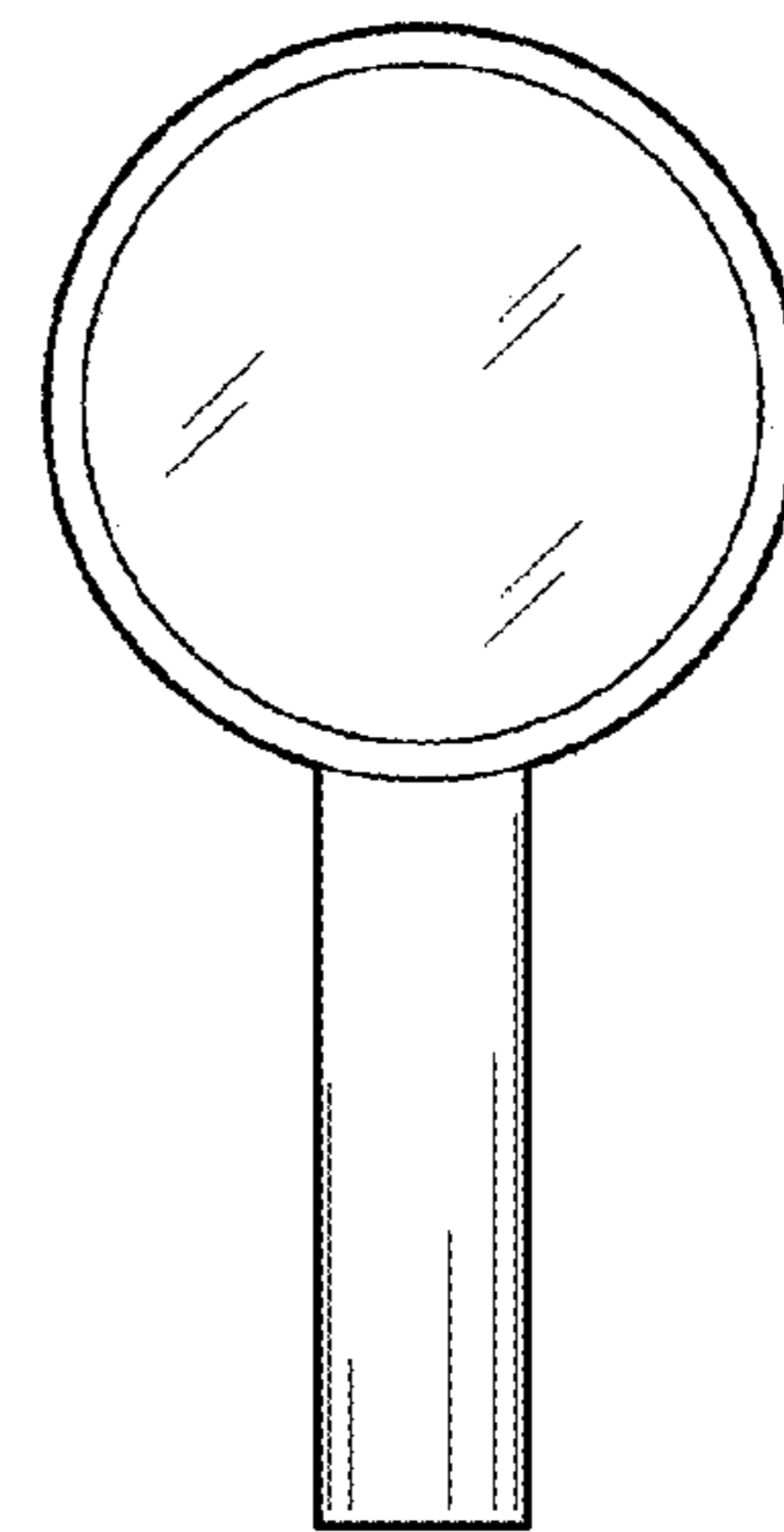


FIG. 11

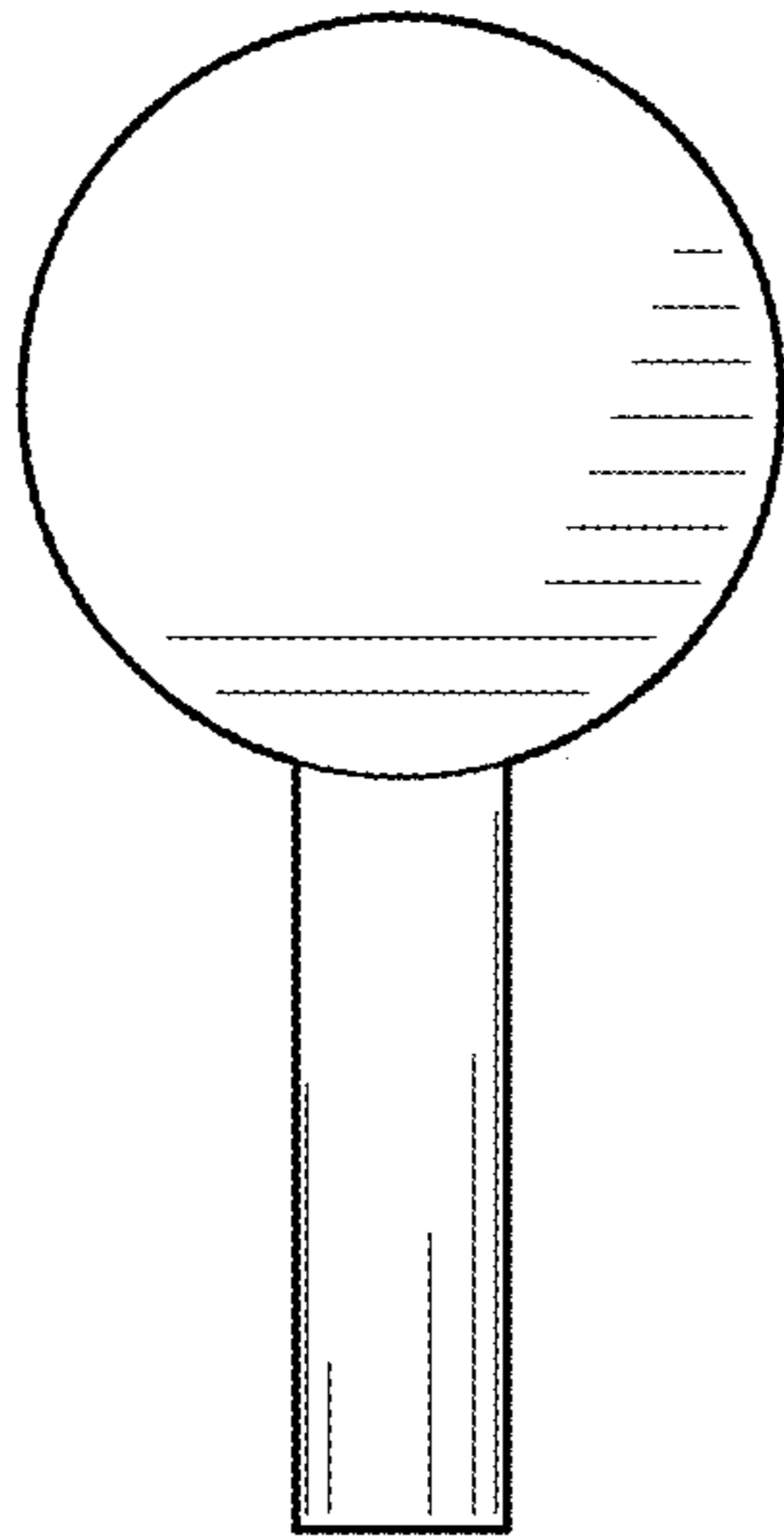


FIG.13

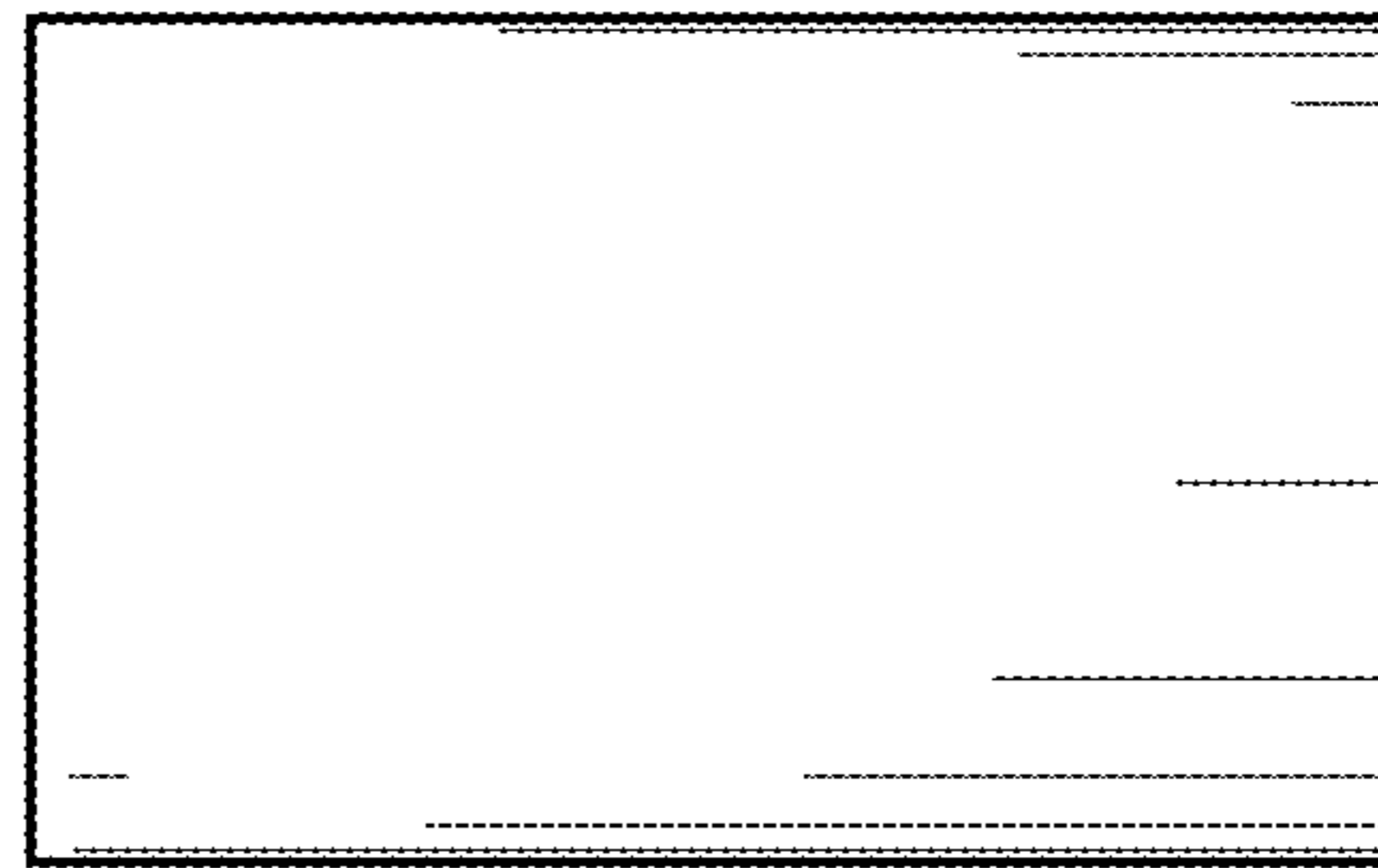


FIG.12

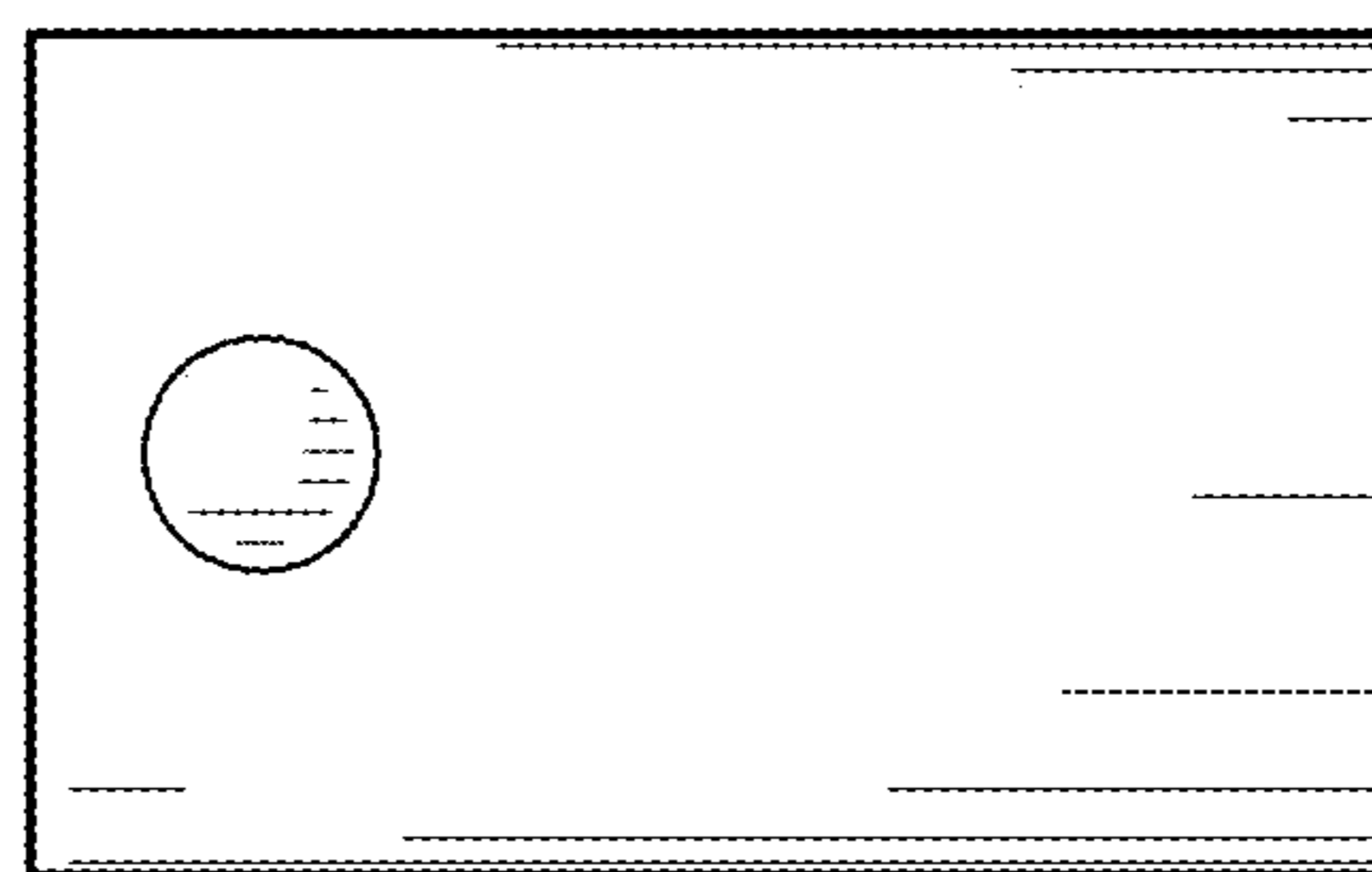


FIG.14