



US00D728709S

(12) **United States Design Patent**
Ho et al.

(10) **Patent No.:** **US D728,709 S**

(45) **Date of Patent:** **** May 5, 2015**

(54) **EXERCISER**

(71) Applicants: **Wei-Teh Ho**, Taipei (TW); **Willy Ho**, Taipei (TW)

(72) Inventors: **Wei-Teh Ho**, Taipei (TW); **Willy Ho**, Taipei (TW)

(**) Term: **14 Years**

(21) Appl. No.: **29/458,921**

(22) Filed: **Jun. 24, 2013**

(51) **LOC (10) Cl.** **21-02**

(52) **U.S. Cl.**
USPC **D21/687**

(58) **Field of Classification Search**
CPC A63B 21/068; A63B 26/00; A63B 23/02;
A63B 2/05; A63B 2/11; A63B 2/16; A63B
2/22; A63B 2/33
USPC D21/662, 686, 687, 688, 689, 671, 672,
D21/673; 482/130, 131, 132, 133, 140, 142
See application file for complete search history.

(56) **References Cited**

U.S. PATENT DOCUMENTS

5,599,261 A * 2/1997 Easley et al. 482/130
5,769,766 A * 6/1998 Huang 482/140

5,871,425 A * 2/1999 Gvoich 482/140
6,168,557 B1 * 1/2001 Liao 482/140
D476,384 S * 6/2003 Perez D21/690
D478,137 S * 8/2003 Ho et al. D21/687
7,179,212 B2 * 2/2007 Hsiung et al. 482/140
7,686,750 B2 * 3/2010 Tuller 482/142
D703,280 S * 4/2014 Ho et al. D21/687

* cited by examiner

Primary Examiner — Phillip S Hyder

(74) *Attorney, Agent, or Firm* — Blakely Sokoloff Taylor Zafman LLP

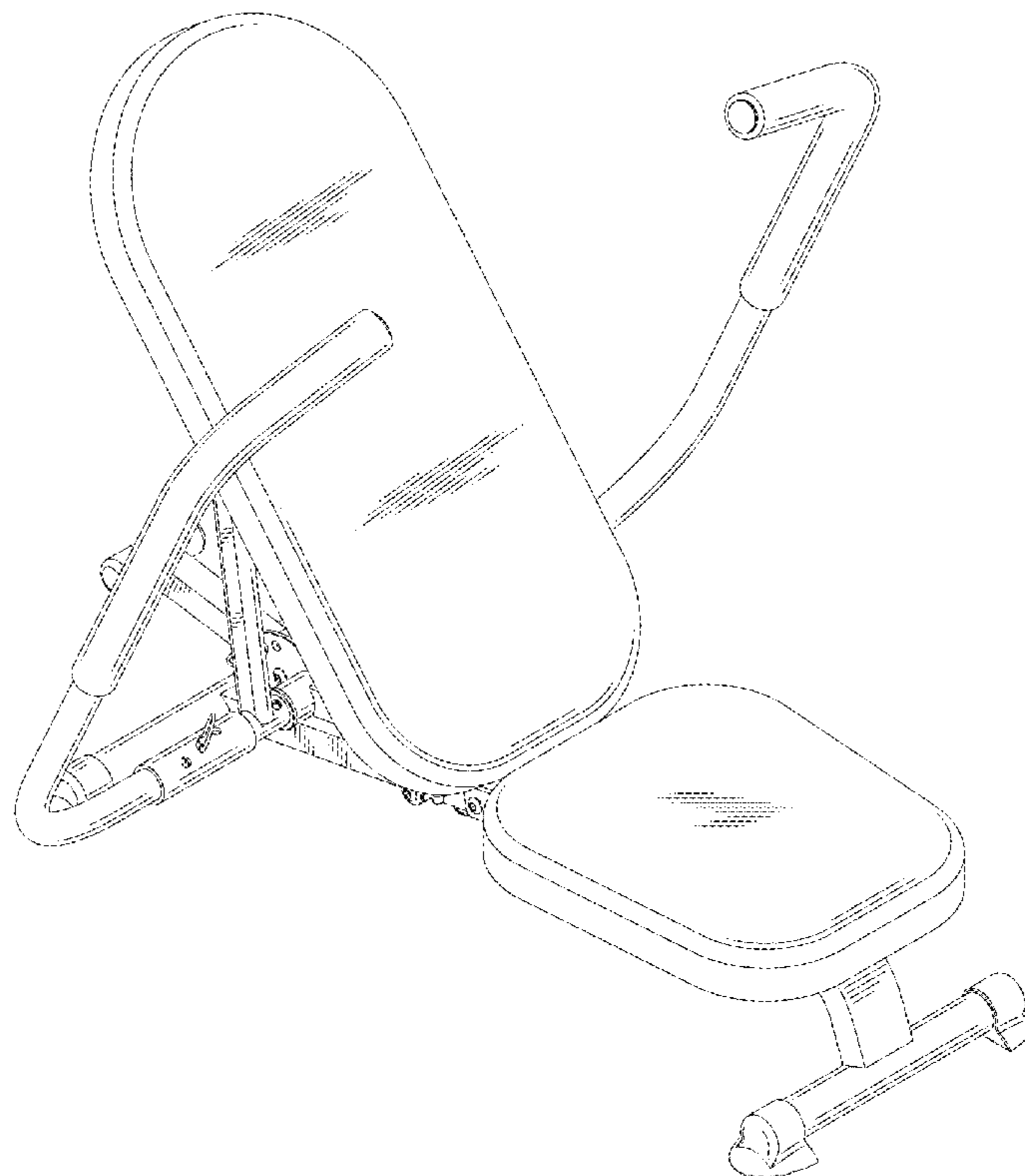
(57) **CLAIM**

The ornamental design for an exerciser, as shown.

DESCRIPTION

FIG. 1 is a perspective view showing the new design for an exerciser;
FIG. 2 is a front view thereof;
FIG. 3 is a rear view thereof;
FIG. 4 is a right side view thereof;
FIG. 5 is a left side view thereof;
FIG. 6 is a top view thereof; and,
FIG. 7 is a bottom view thereof.

1 Claim, 7 Drawing Sheets



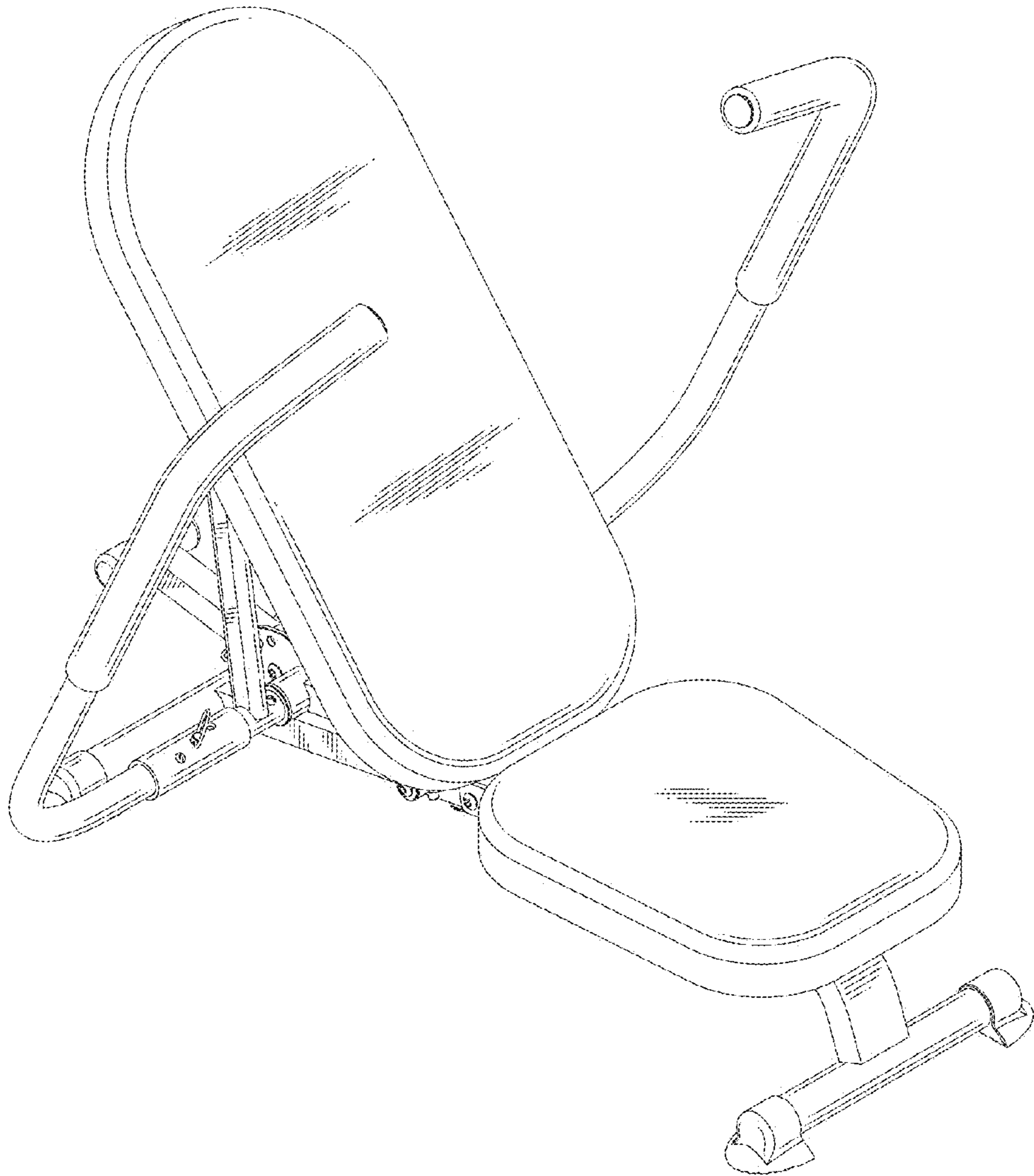


FIG.1

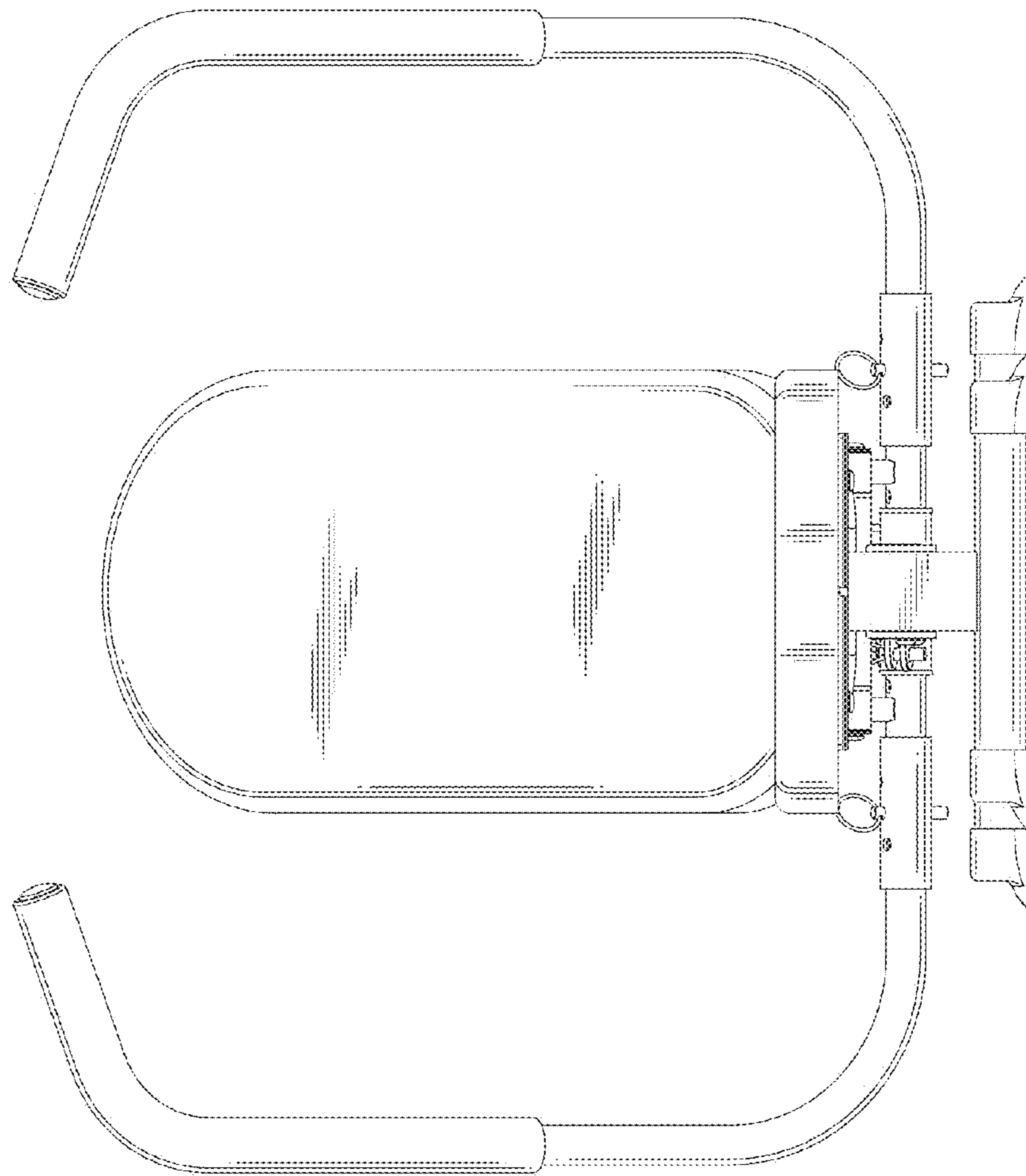


FIG.2

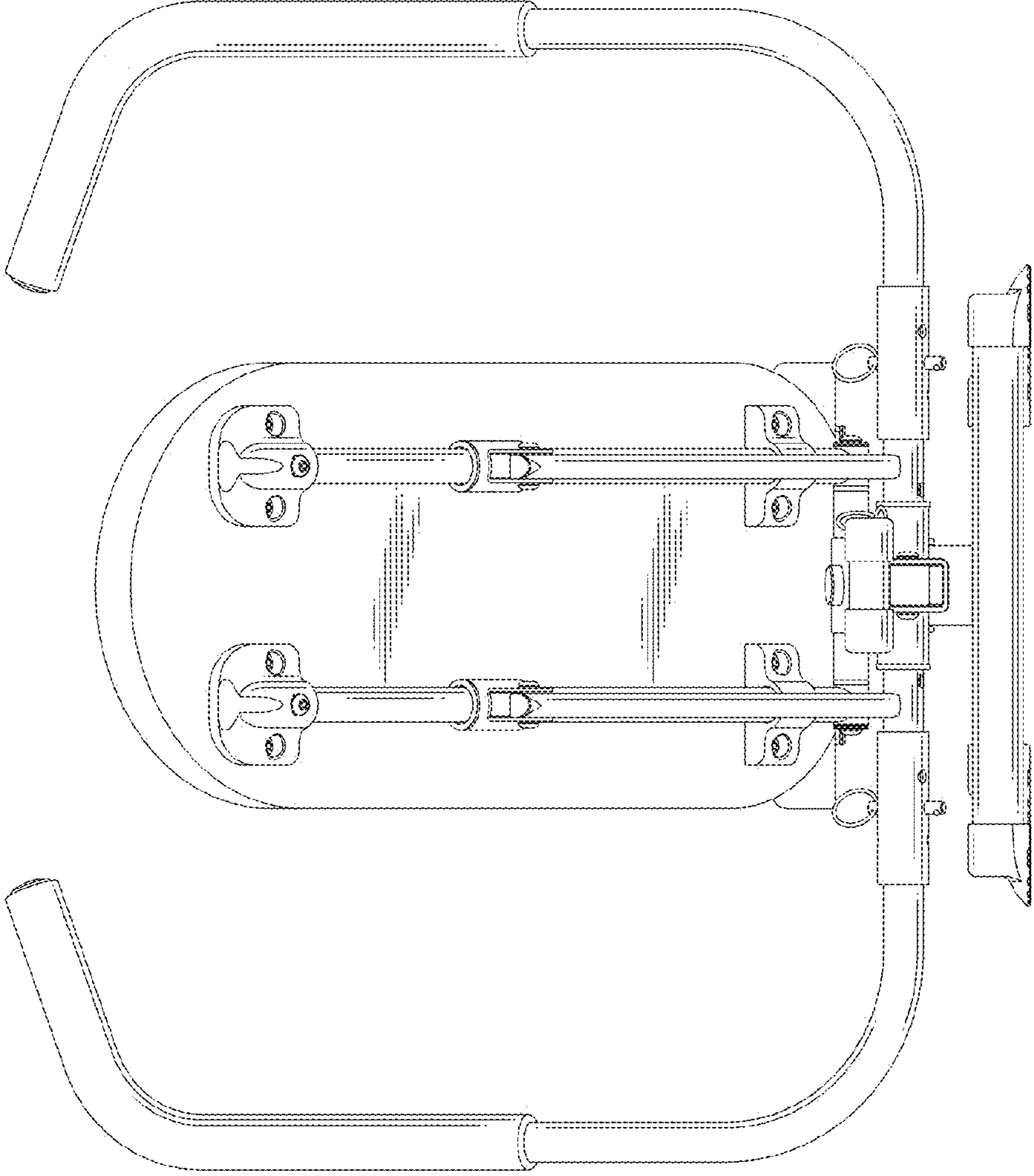


FIG.3

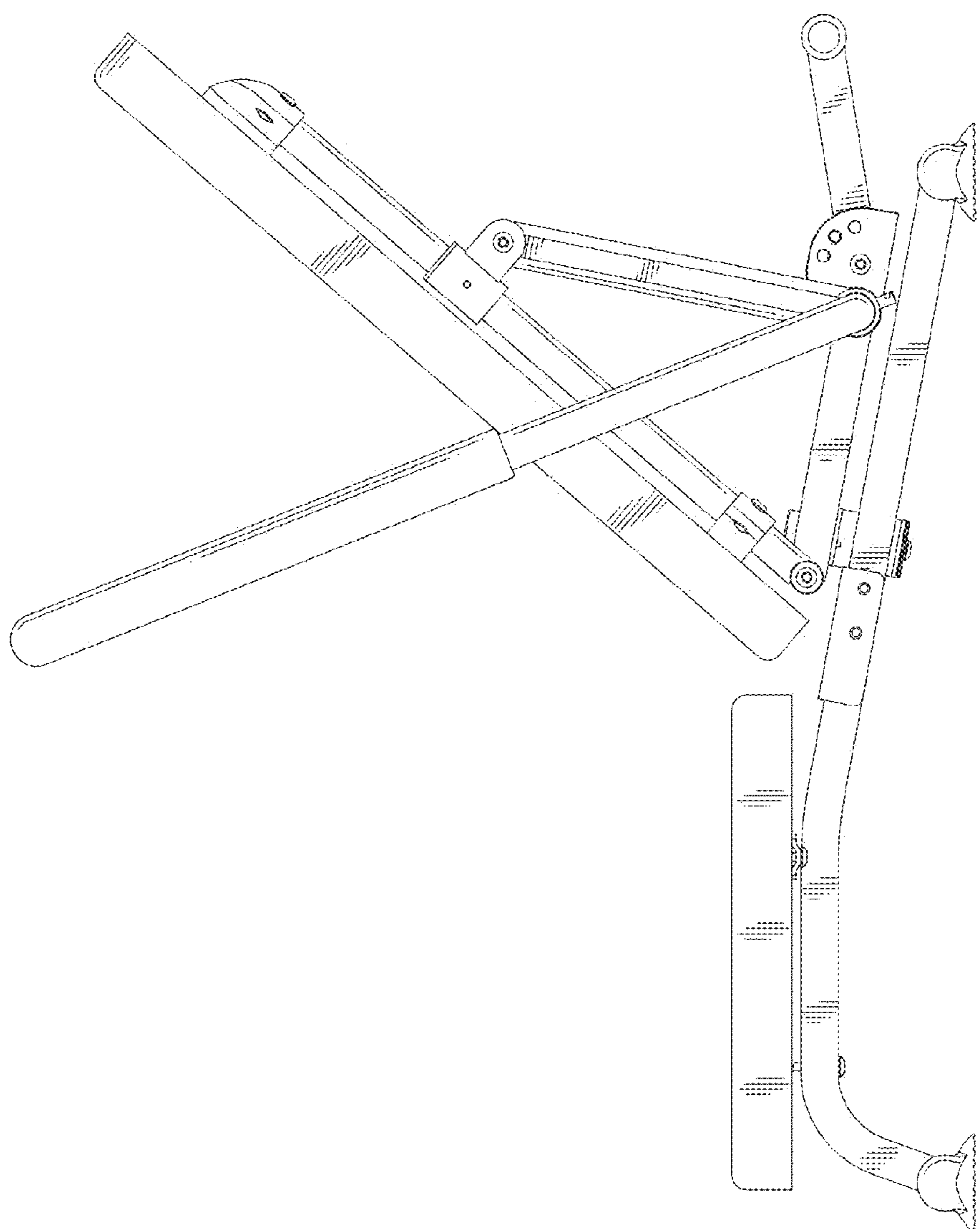


FIG.4

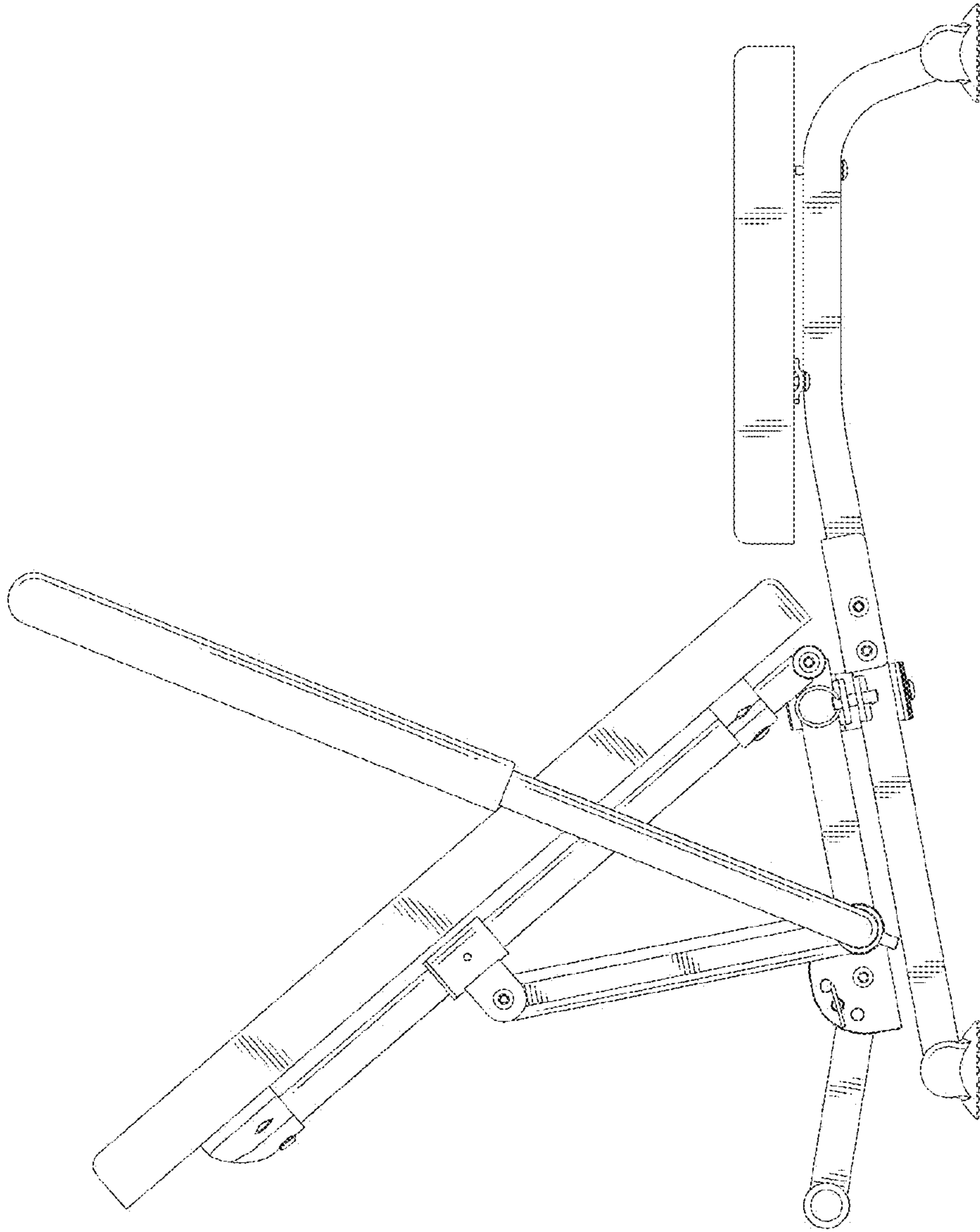


FIG. 5

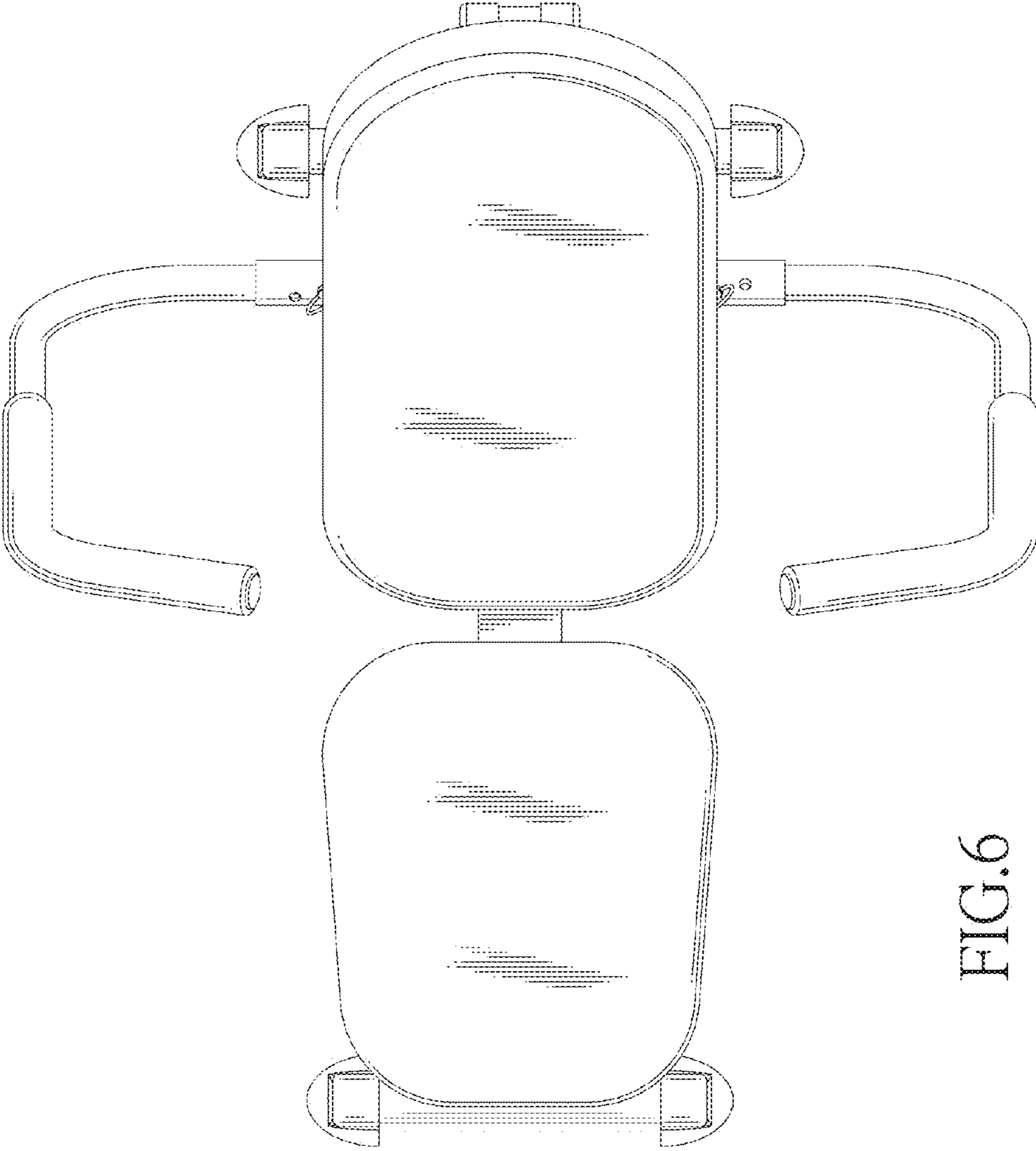


FIG.6

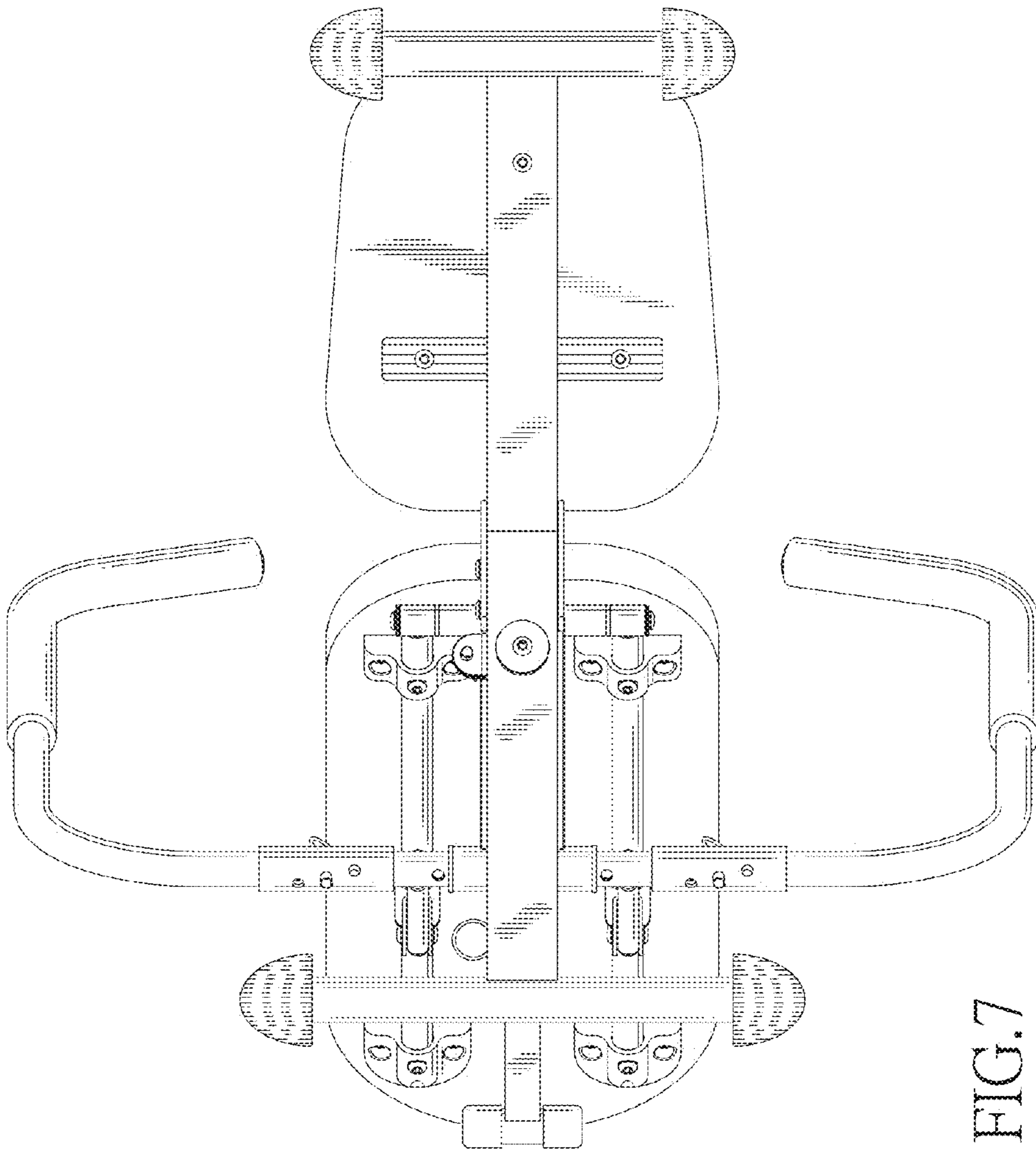


FIG. 7