



US00D728708S

(12) **United States Design Patent**
Green

(10) **Patent No.:** **US D728,708 S**

(45) **Date of Patent:** **** May 5, 2015**

(54) **EXERCISE APPARATUS**

(71) Applicant: **Michael Green**, Florissant, MO (US)

(72) Inventor: **Michael Green**, Florissant, MO (US)

(**) Term: **14 Years**

(21) Appl. No.: **29/471,503**

(22) Filed: **Nov. 1, 2013**

(51) **LOC (10) Cl.** **21-02**

(52) **U.S. Cl.**
USPC **D21/679**

(58) **Field of Classification Search**

CPC A63B 23/1218; A63B 1/00; A63B
21/00047; A63B 21/1627; A63B 21/1636;
A63B 21/1645

USPC D21/662, 679, 688-691; 482/35, 36,
482/38-41, 92-101, 104-108, 110, 114,
482/118, 121-124, 130, 146, 148

See application file for complete search history.

(56) **References Cited**

U.S. PATENT DOCUMENTS

D210,469	S	3/1968	Sejersen	
4,662,629	A	5/1987	Plovie	
D348,706	S	7/1994	Harrell	
5,417,628	A	5/1995	Vanderbleek	
5,871,422	A	2/1999	Elbogen	
5,957,818	A *	9/1999	Betournay	482/105
5,967,948	A *	10/1999	Carr	482/93
6,179,748	B1	1/2001	Barr	
D626,187	S *	10/2010	Friedman et al.	D21/679
D633,156	S *	2/2011	Caswell et al.	D21/679
D633,961	S *	3/2011	Loew et al.	D21/679
8,172,726	B1	5/2012	Leier	
D667,901	S *	9/2012	Garcia Chavez	D21/679
D682,955	S *	5/2013	Stephan	D21/679
D685,865	S *	7/2013	Kuhn	D21/679
D686,286	S *	7/2013	Orakwusi	D21/679
8,808,147	B2 *	8/2014	Gillespie et al.	482/39

2001/0034289	A1 *	10/2001	Parrillo	482/94
2005/0187083	A1	8/2005	Krystoff	
2007/0203002	A1 *	8/2007	Webber	482/104
2012/0115683	A1 *	5/2012	Ross	482/38
2013/0053221	A1	2/2013	Ho	
2013/0178338	A1 *	7/2013	Ross	482/40
2013/0225373	A1 *	8/2013	Poat	482/40
2013/0244836	A1 *	9/2013	Maughan et al.	482/40
2014/0128228	A1 *	5/2014	Bonomi	482/98
2014/0221163	A1 *	8/2014	McBride et al.	482/40

FOREIGN PATENT DOCUMENTS

GB	819360	9/1959
KR	2020100007114 U	7/2010
WO	2004091732	10/2004

OTHER PUBLICATIONS

www.ultimatebodypress.com, Doorway Pull-Up Bar, downloaded Mar. 18, 2013, 1 page.

(Continued)

Primary Examiner — George D Kirschbaum

Assistant Examiner — Jennifer Watkins

(74) *Attorney, Agent, or Firm* — Senniger Powers LLP

(57) **CLAIM**

The ornamental design of exercise apparatus, as shown and described.

DESCRIPTION

FIG. 1 is a perspective of exercise apparatus of the present invention;

FIG. 2 is a front elevation of the apparatus;

FIG. 3 is a right side elevation of the apparatus;

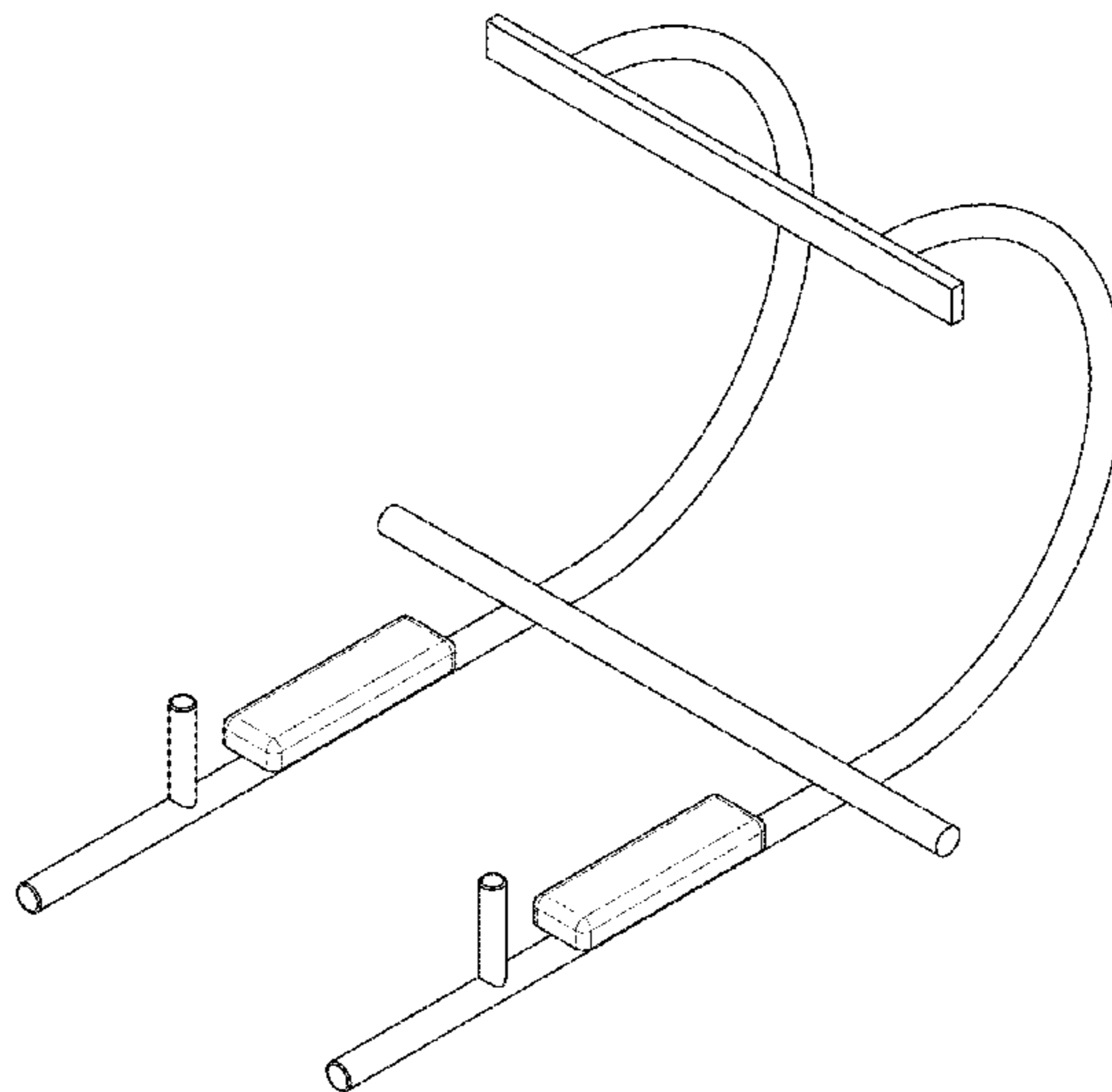
FIG. 4 is a top plan of the apparatus;

FIG. 5 is a rear elevation of the apparatus;

FIG. 6 is a left side elevation of the apparatus; and,

FIG. 7 is a bottom plan of the apparatus.

1 Claim, 7 Drawing Sheets



(56)

References Cited

OTHER PUBLICATIONS

www.ultimatebodypress.com, Pull Up Package, downloaded Mar. 18, 2013, 1 page.

www.wayfair.com, Black Mountain Products Heavy Duty Doorway Chin Up Bar, downloaded Feb. 10, 2014, 1 page.

www.jumpusa.com, Hanging Doorway Gym—Pull Up—Chin Up Bar, downloaded Feb. 10, 2014, 1 page.

www.sportsauthority.com, Stamna Doorway Trainer Plus, downloaded Feb. 10, 2014, 1 page.

* cited by examiner

FIG. 1

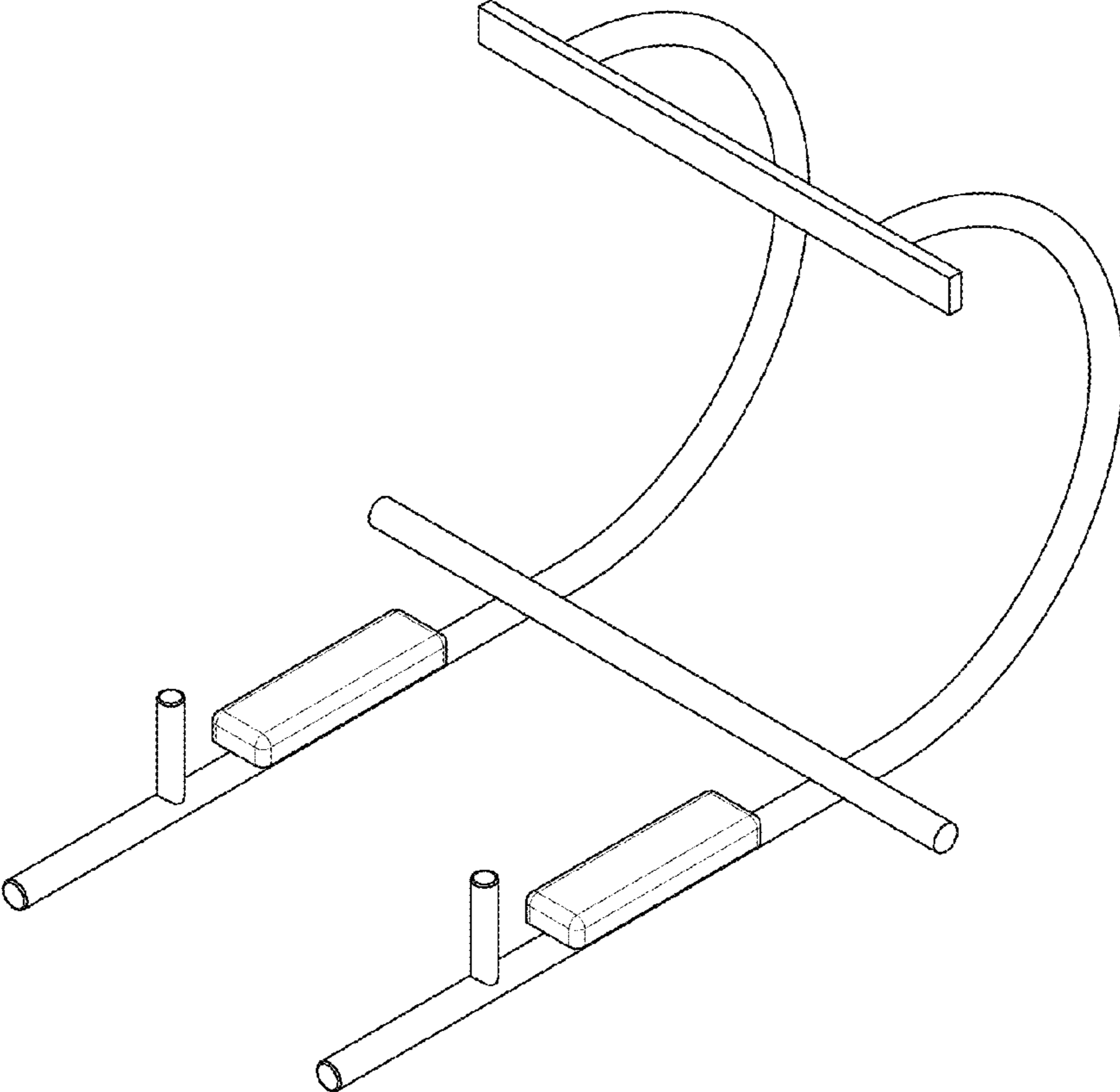


FIG. 2

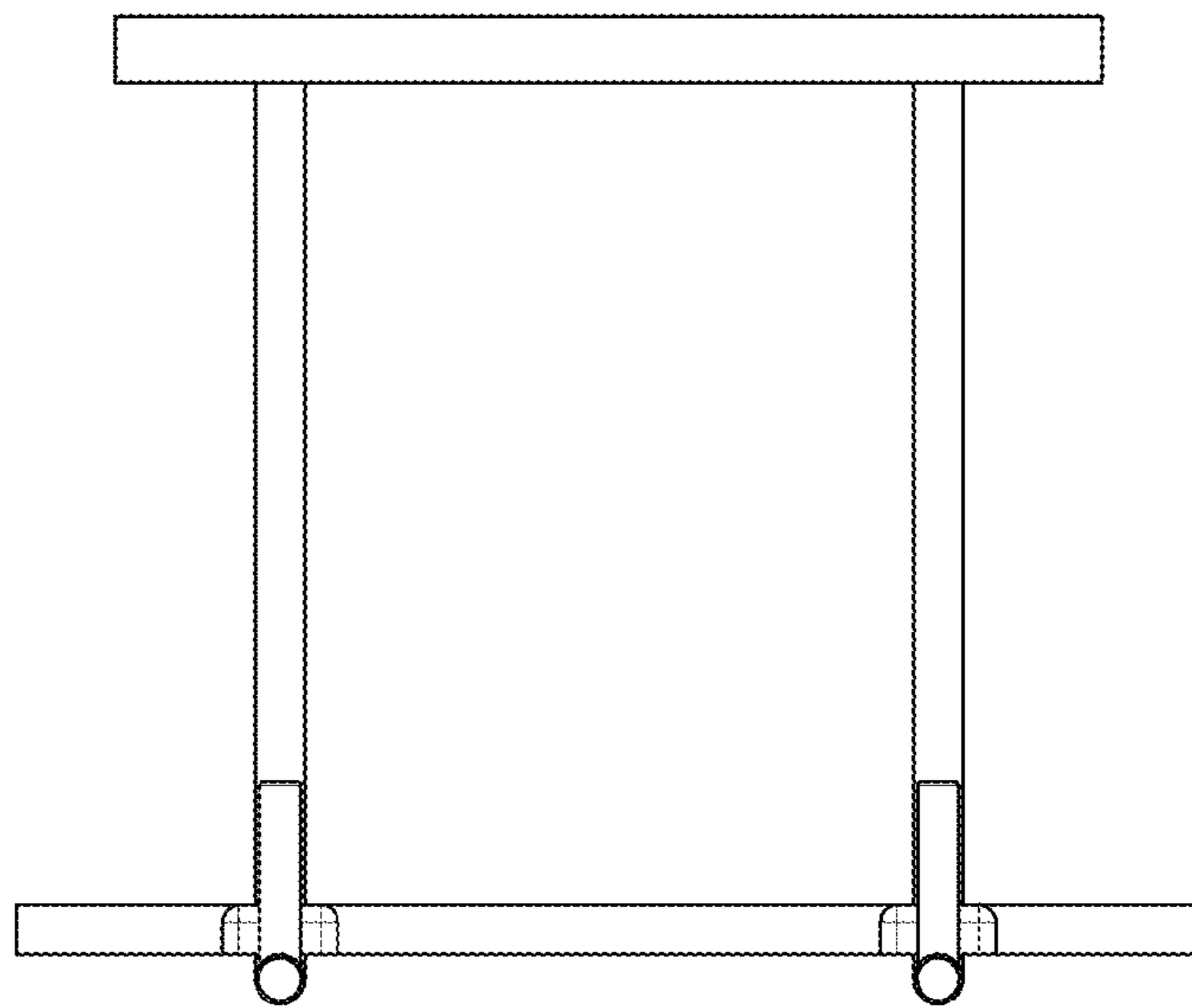


FIG. 3

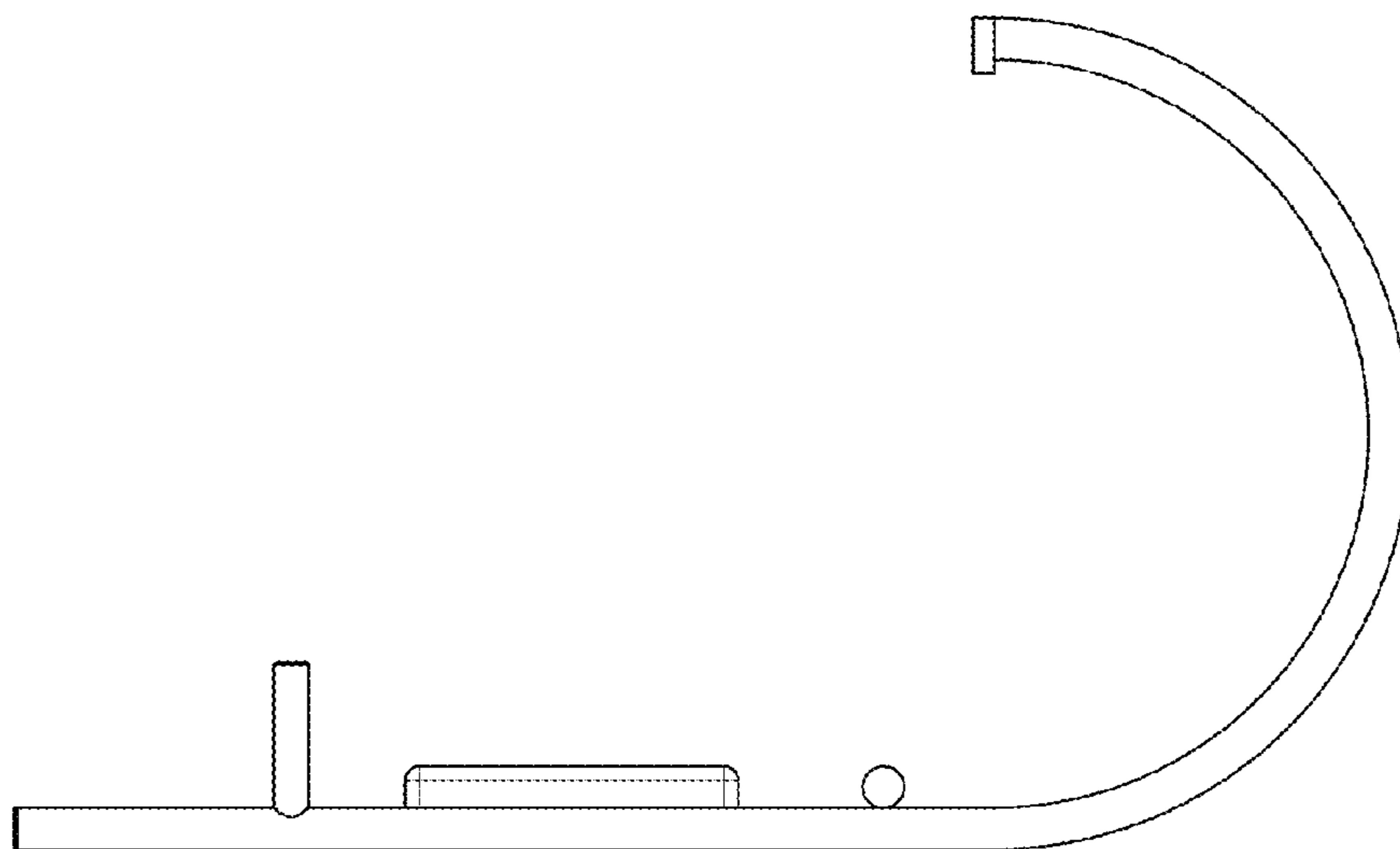


FIG. 4

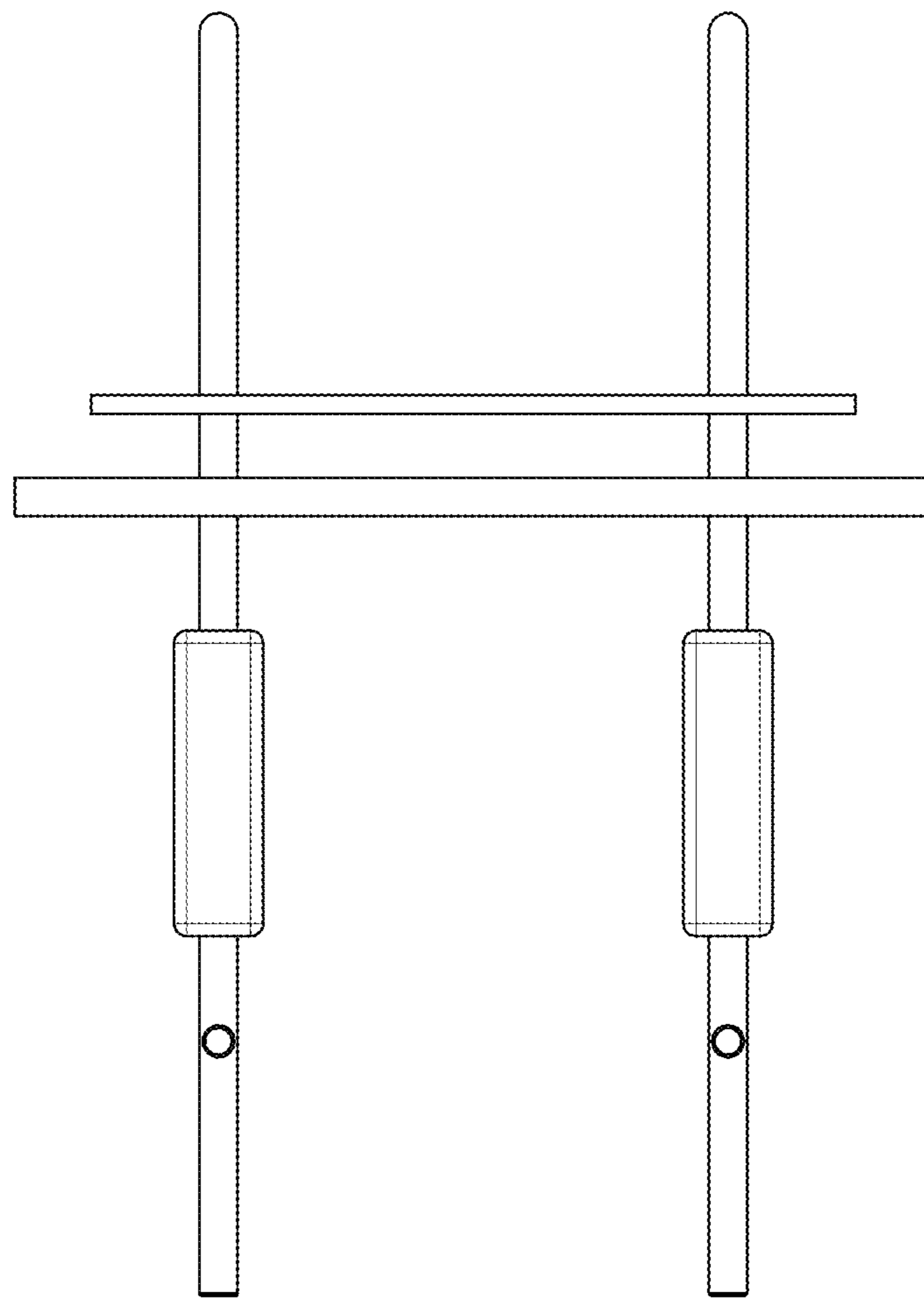


FIG. 5

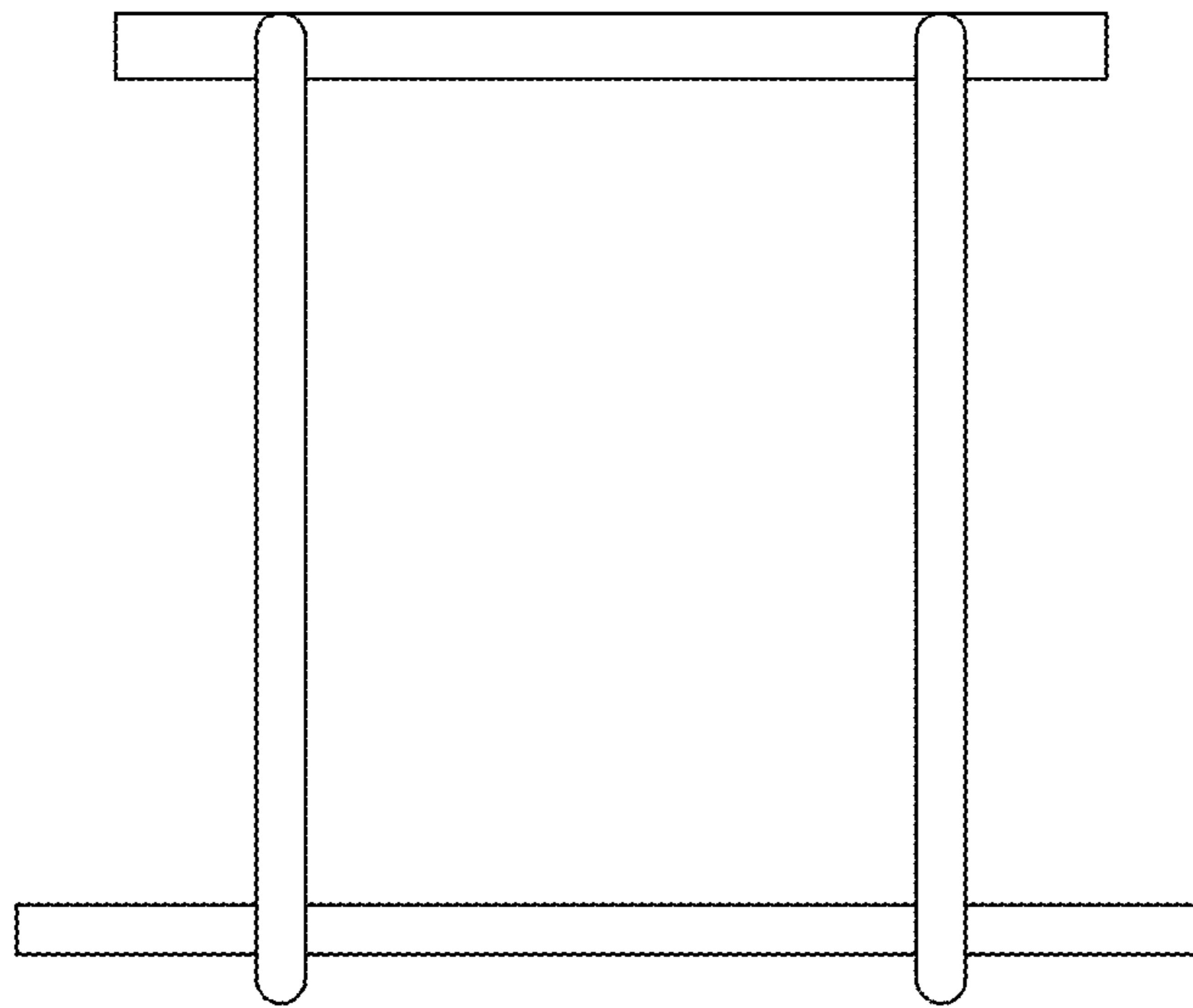


FIG. 6

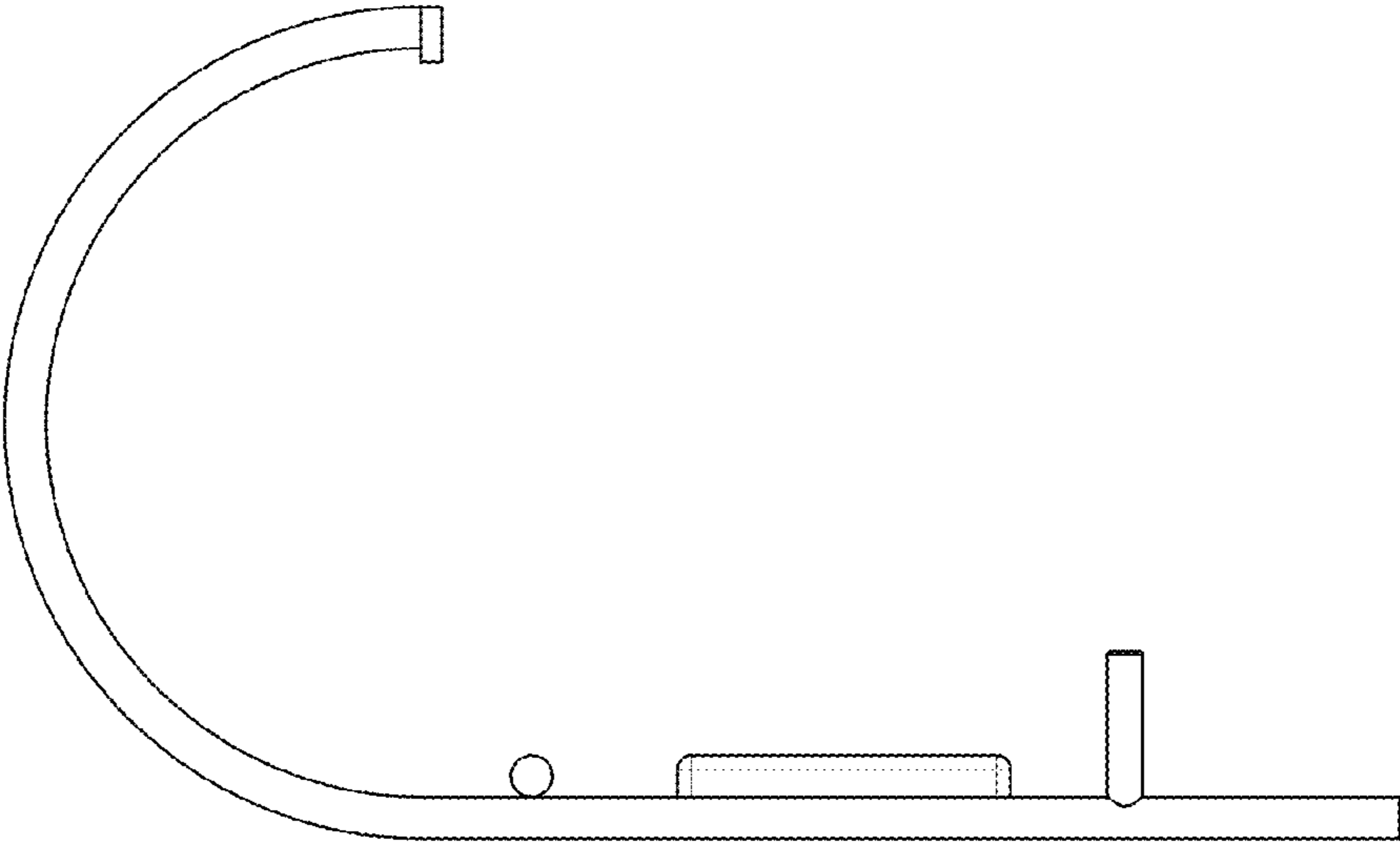


FIG. 7

