



US00D728707S

(12) **United States Design Patent**  
**Colburn**

(10) **Patent No.:** **US D728,707 S**

(45) **Date of Patent:** **\*\* May 5, 2015**

- (54) **DESK EXERCISE CYCLE**
- (71) Applicant: **3D Innovations, LLC**, Greeley, CO  
(US)
- (72) Inventor: **Kevin Lawrence Colburn**, Greeley, CO  
(US)
- (73) Assignee: **3D Innovations, LLC**, Greeley, CO  
(US)

5,855,538 A	1/1999	Argabright	
6,027,429 A	2/2000	Daniels	
D438,580 S *	3/2001	Shaw .....	D21/697
D438,919 S *	3/2001	Shaw .....	D21/697
D482,084 S *	11/2003	Yang .....	D21/663
D482,416 S *	11/2003	Yang .....	D21/663
D484,931 S *	1/2004	Tsai .....	D21/697

(Continued)

(\*\*) Term: **14 Years**

**FOREIGN PATENT DOCUMENTS**

TW	498768	8/2002
TW	M342183	10/2008
TW	M359342	6/2009

(21) Appl. No.: **29/475,143**

**OTHER PUBLICATIONS**

(22) Filed: **Nov. 29, 2013**

Isokinetics, Inc. Deluxe Pedal Exerciser. On-line catalog, <http://www.isokineticsinc.com>, originally downloaded Jan. 13, 2014, 1 page.

(51) **LOC (10) Cl.** ..... **21-02**

(52) **U.S. Cl.**  
USPC ..... **D21/663**

(58) **Field of Classification Search**  
CPC ..... A63B 22/0605; A63B 21/225; A63B 2208/0233; A63B 21/00069; A63B 21/0552; A63B 21/1492; A63B 21/015; A63B 2208/0204  
USPC ..... D21/662-671, 694, 697; 482/52, 54, 482/56, 57, 59-61, 63-66, 70, 71, 74-76, 482/80, 140-145

See application file for complete search history.

*Primary Examiner* — George D Kirschbaum  
*Assistant Examiner* — Jennifer Watkins  
(74) *Attorney, Agent, or Firm* — Craig Miles; CR MILES P.C.

(57) **CLAIM**

I claim the ornamental design for a desk exercise cycle, as shown and described.

**DESCRIPTION**

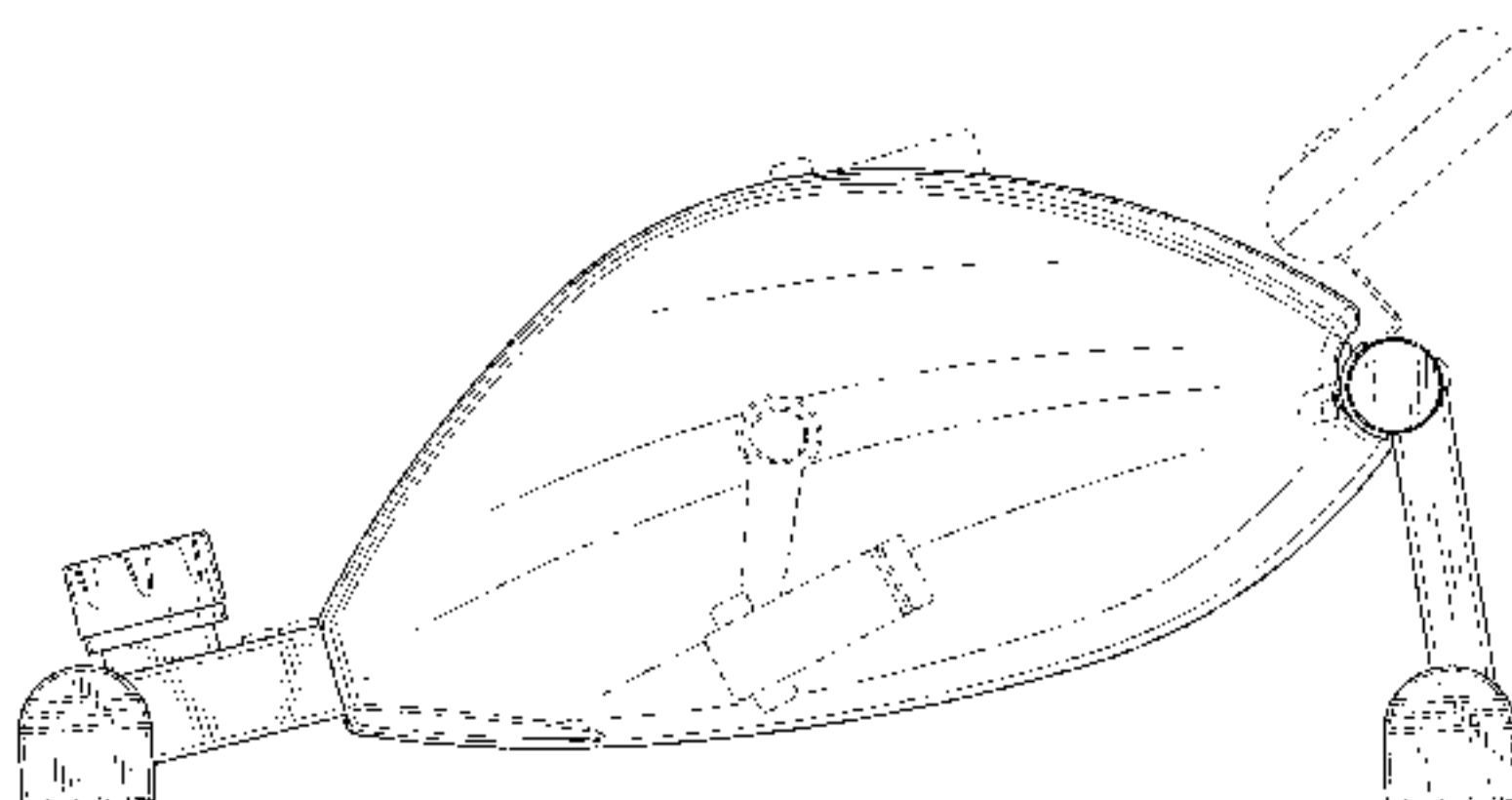
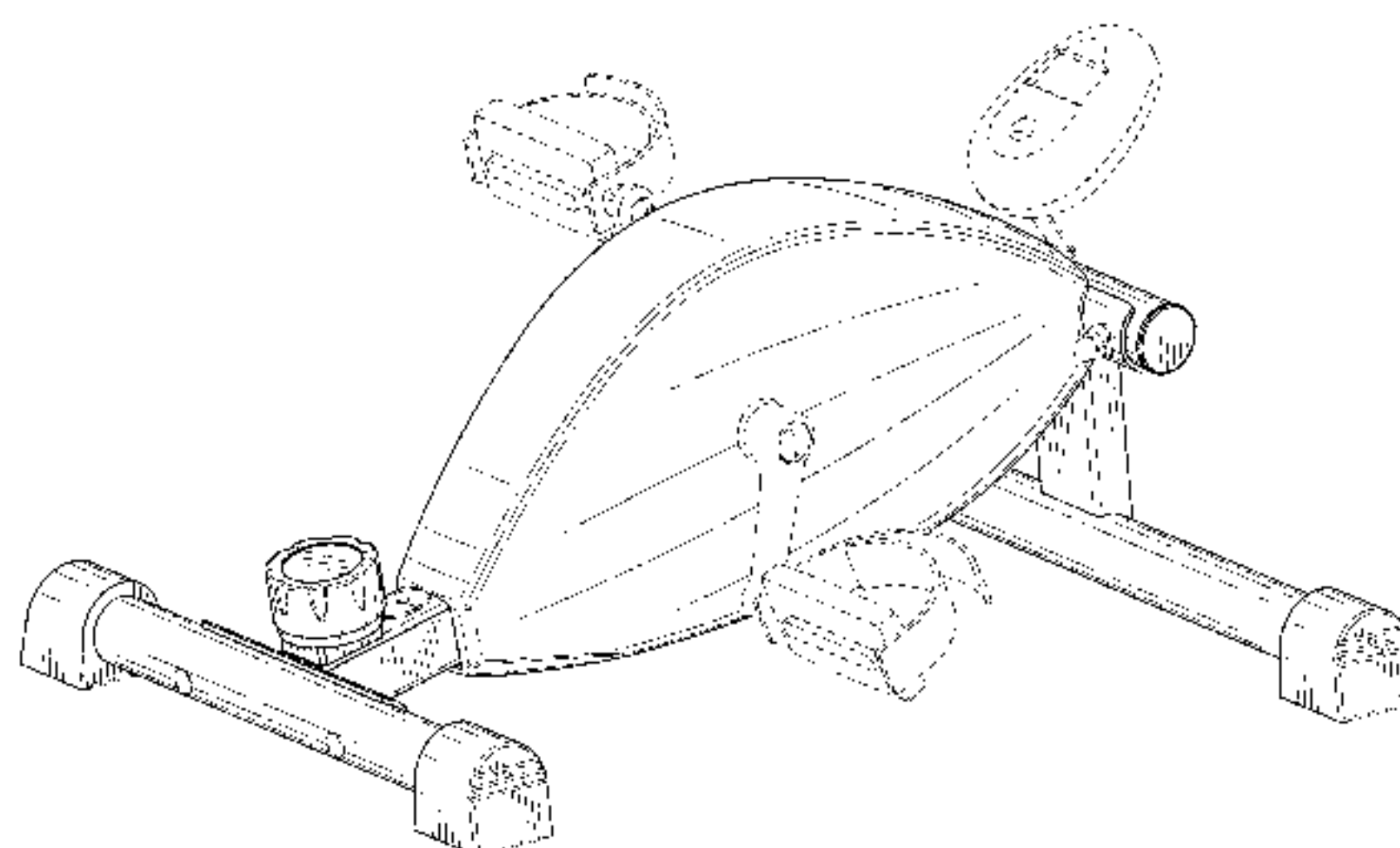
(56) **References Cited**

**U.S. PATENT DOCUMENTS**

4,632,386 A	12/1986	Beech	
4,971,317 A *	11/1990	Link .....	482/57
5,257,701 A	11/1993	Edelson	
5,314,392 A	5/1994	Hawkins et al.	
D372,283 S *	7/1996	Chen .....	D21/663
D373,395 S *	9/1996	Chen .....	D21/663
5,599,260 A	2/1997	Rovinsky et al.	
5,647,822 A *	7/1997	Avganim .....	482/60
D393,890 S *	4/1998	Biliouris .....	D21/663
5,762,584 A	6/1998	Daniels	
5,807,212 A	9/1998	Nelson	

FIG. 1 is a top and right side perspective of a desk exercise cycle, embodying our new design;  
FIG. 2 is a front elevation view thereof;  
FIG. 3 is a rear elevation view thereof;  
FIG. 4 is a left side elevation view thereof;  
FIG. 5 is a right side elevation view thereof;  
FIG. 6 is a top plan view thereof; and,  
FIG. 7 is a bottom plan view thereof.  
The broken lines showing of a desk exercise cycle is for the purpose of illustrating portions of the article and forms no part of the claimed design.

**1 Claim, 6 Drawing Sheets**



(56)

**References Cited**

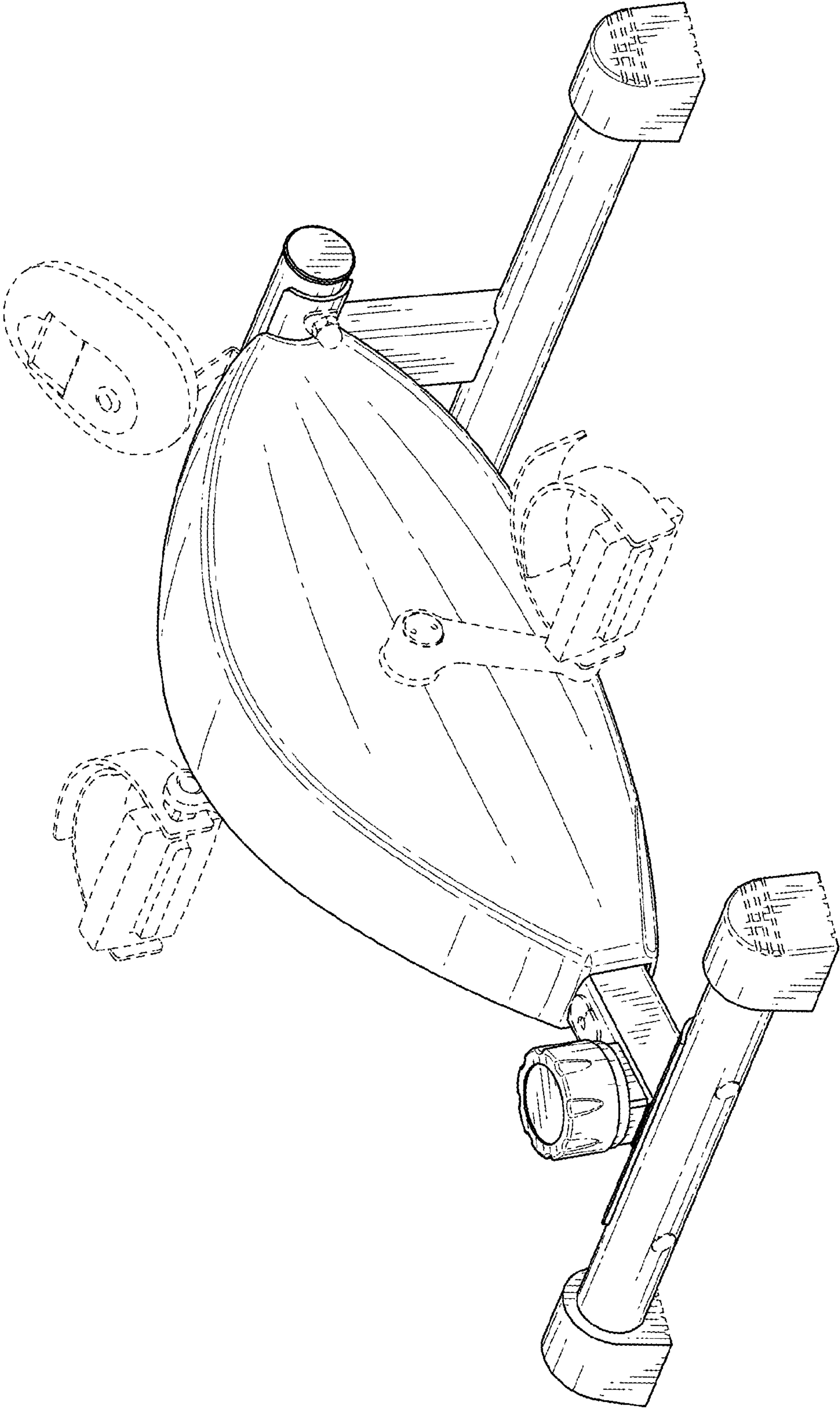
U.S. PATENT DOCUMENTS

7,115,072 B1 10/2006 Stoll  
7,533,894 B2 5/2009 Ehler  
7,621,852 B2 11/2009 Bowser

7,686,742 B2 3/2010 Tischler et al.  
7,938,761 B2 5/2011 Simonson et al.  
8,585,561 B2 11/2013 Watt et al.  
2009/0192024 A1\* 7/2009 Wu ..... 482/57  
2013/0237386 A1\* 9/2013 Tsai ..... 482/60

\* cited by examiner

FIG. 1



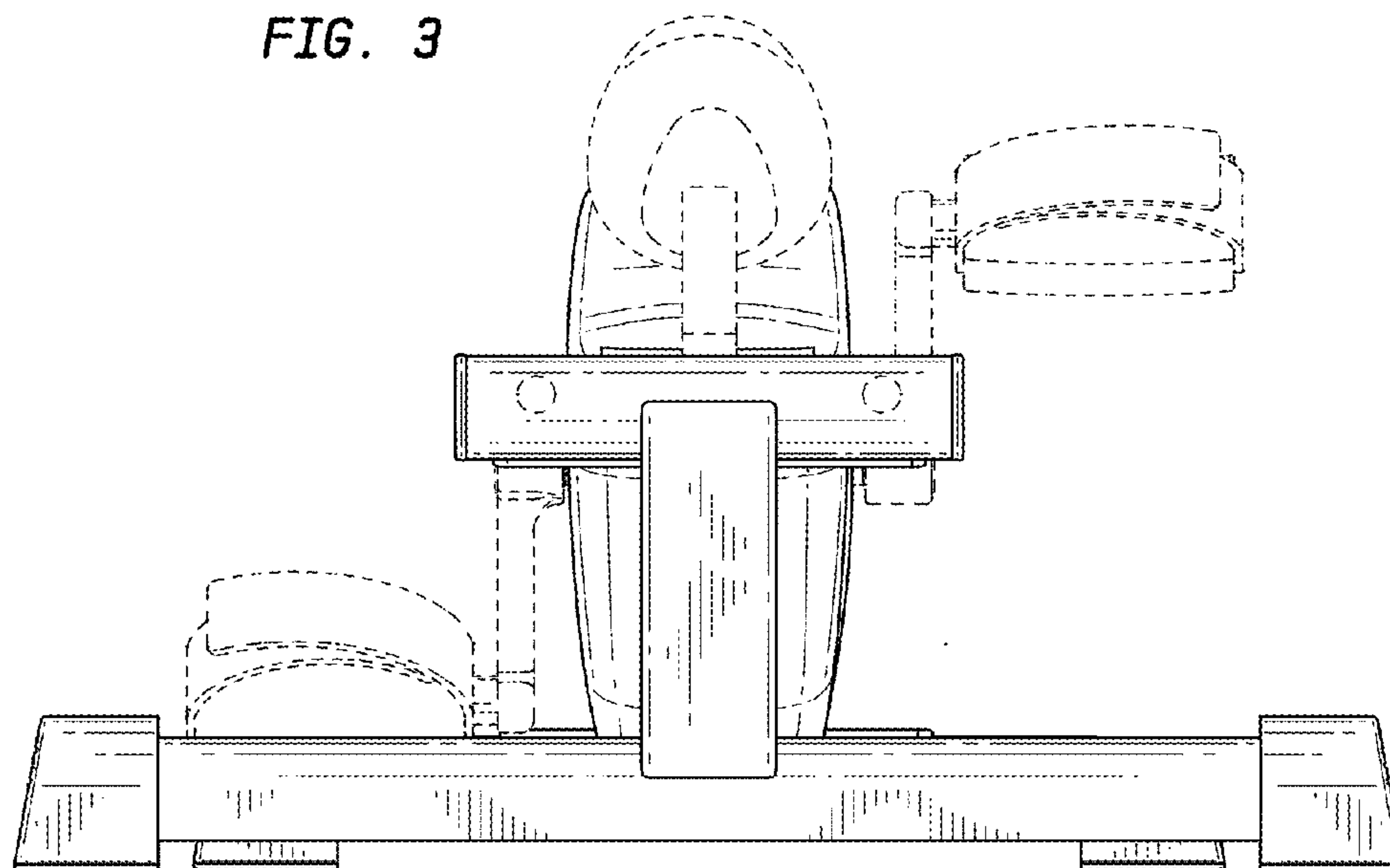
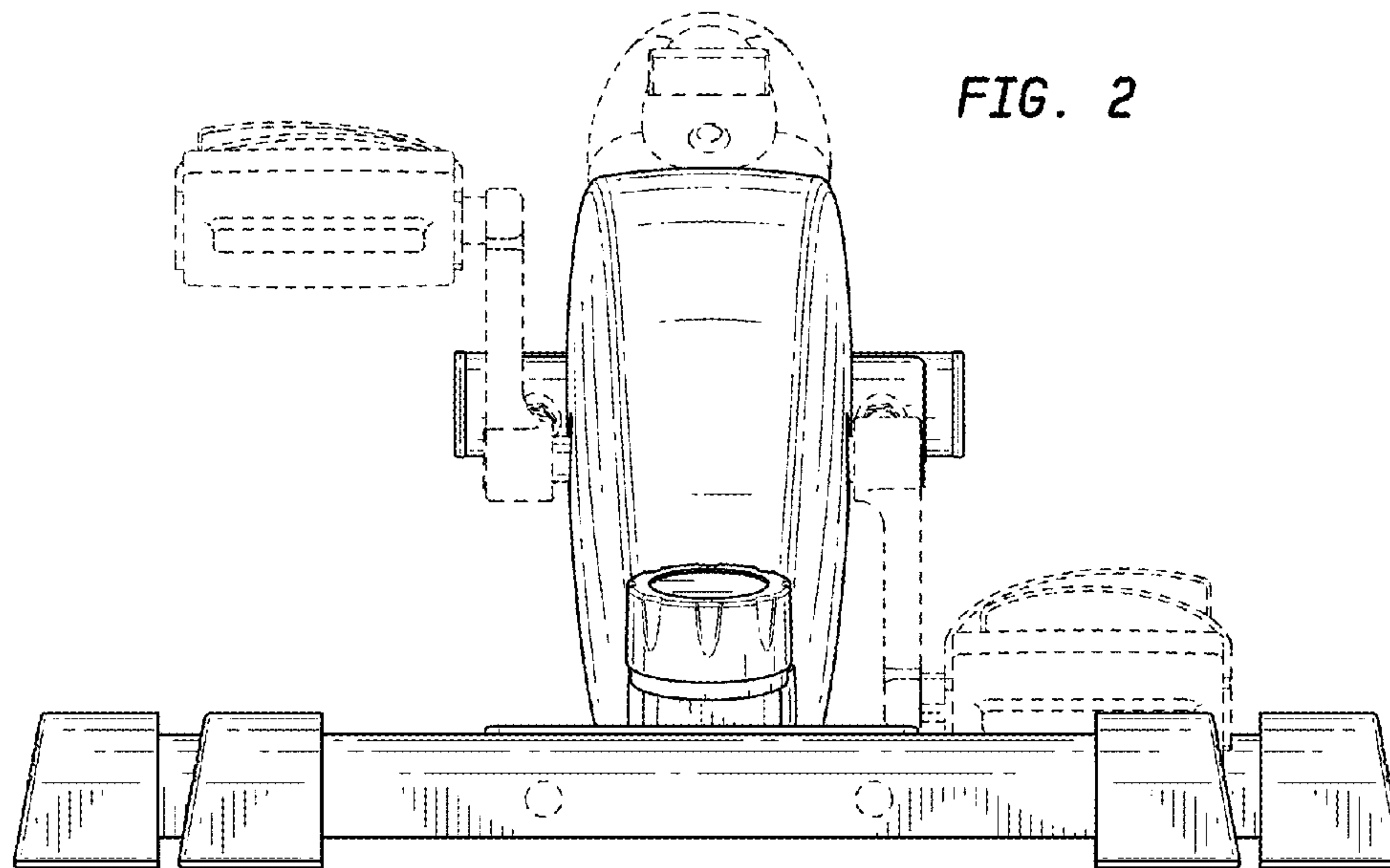


FIG. 4

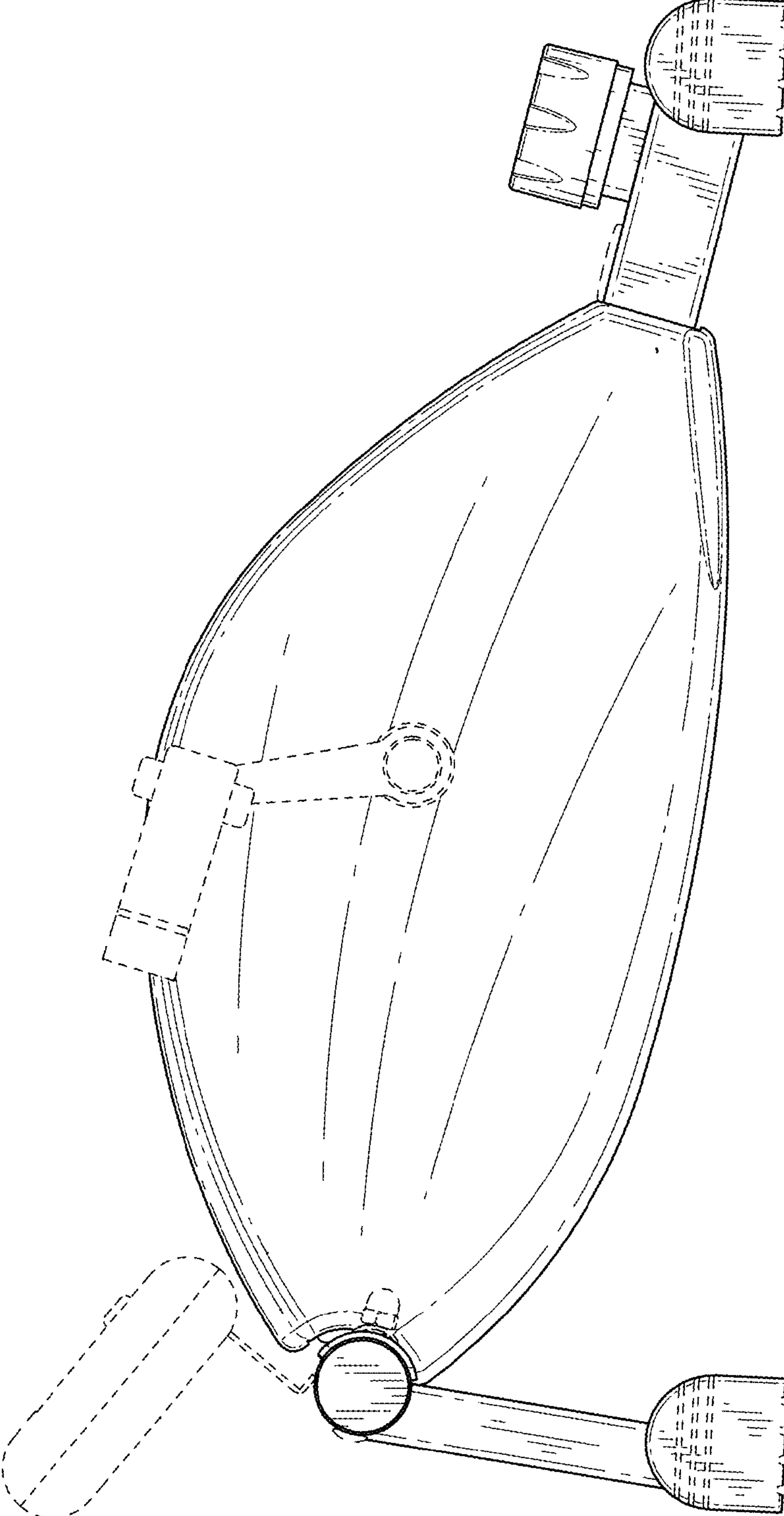




FIG. 5

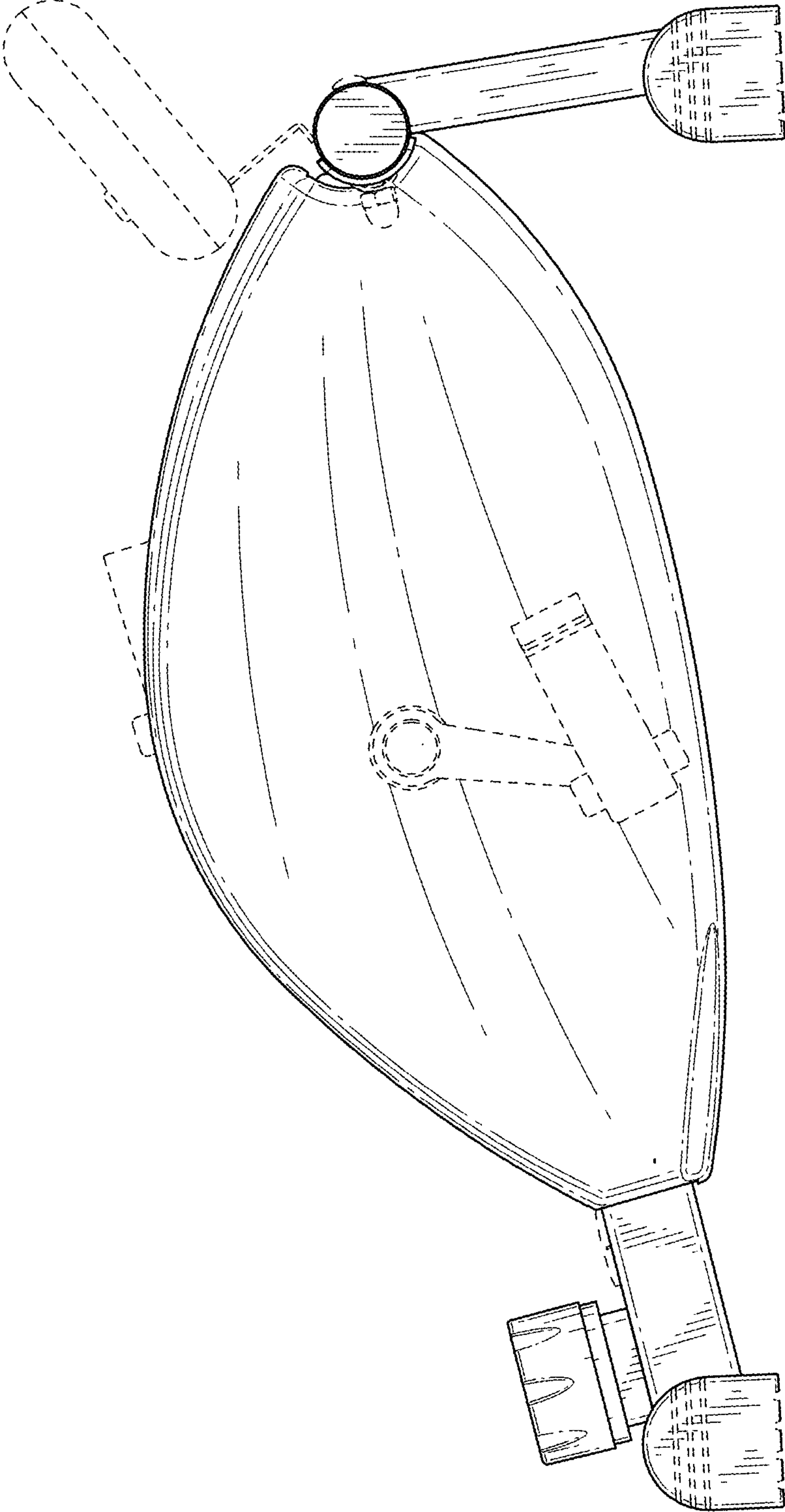


FIG. 6

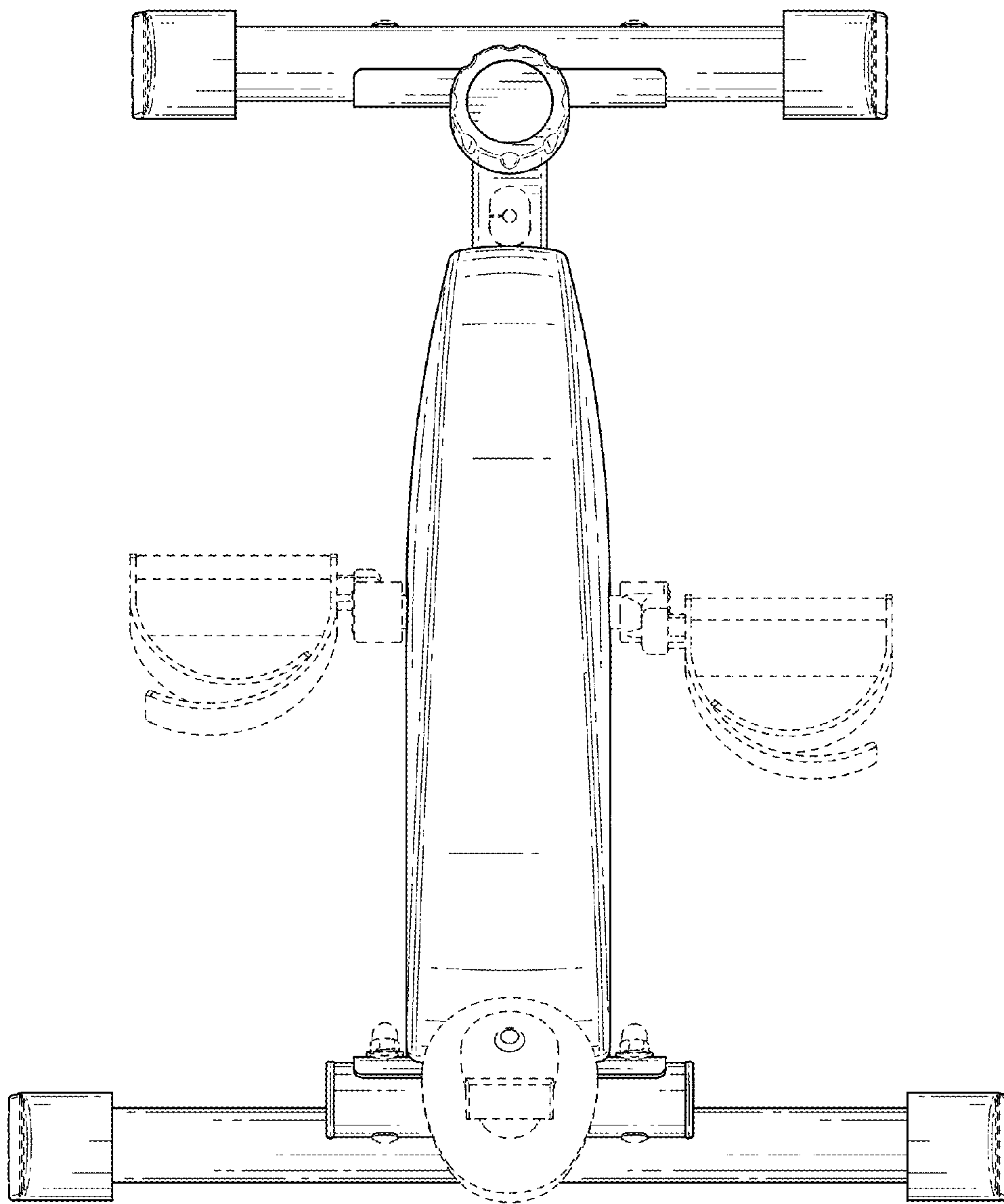


FIG. 7

