



US00D728695S

(12) **United States Design Patent**  
**Chase et al.**

(10) **Patent No.:** **US D728,695 S**  
(45) **Date of Patent:** **\*\* May 5, 2015**

(54) **NESTING BLOCK SET**

595,455 A \* 12/1897 Glidden ..... 434/213  
850,490 A \* 4/1907 Price ..... 229/122.33  
1,519,974 A \* 12/1924 Ordway ..... 446/117

(75) Inventors: **Mark Chase**, Minneapolis, MN (US);  
**Daniel J. Hoyord**, St. Paul, MN (US);  
**Justin F. Wood**, Minneapolis, MN (US);  
**Christopher T. Sodt**, Plymouth, MN  
(US); **Joel T. Bodkin**, Minneapolis, MN  
(US); **Wanda Dent**, Chanhassen, MN  
(US)

(Continued)

**OTHER PUBLICATIONS**

“Circo Baby Alphabet Nesting & Stacking Blocks,” printed from  
www.sears.com/shc/s/p\_10153\_12605\_SPM5930513407P?i\_  
cntr=1327984047499 on Jan. 30, 2012 (1 page).

(Continued)

(73) Assignee: **Target Brands, Inc.**, Minneapolis, MN  
(US)

*Primary Examiner* — Catherine Tuttle

(74) *Attorney, Agent, or Firm* — JoAnn M. Seaton; Griffiths  
& Seaton PLLC

(\*\*) Term: **14 Years**

(57) **CLAIM**

The ornamental design for a nesting block set, as shown and  
described.

(21) Appl. No.: **29/427,837**

(22) Filed: **Jul. 23, 2012**

**DESCRIPTION**

(51) **LOC (10) Cl.** ..... **21-01**

(52) **U.S. Cl.**  
USPC ..... **D21/471**

(58) **Field of Classification Search**  
CPC ..... G09B 23/00  
USPC ..... D21/398, 468, 470, 471, 478, 479, 484,  
D21/494, 499–501, 506, 507, 510; D19/59,  
D19/62, 64, 75, 77, 84, 85, 95;  
D3/304–306, 313; D9/506, 560, 737,  
D9/782, 432; D34/1; D11/155; 446/69, 70,  
446/71, 75, 117, 124, 125, 478, 486, 487,  
446/489; 434/159, 171–172, 208, 211, 258,  
434/393, 403, 429

See application file for complete search history.

FIG. 1 is a top, front perspective view showing our new design  
for a nesting block set in its nested configuration;  
FIG. 2 is a bottom, front perspective view thereof;  
FIG. 3 is a front view thereof, the rear view being a mirror  
image thereof;  
FIG. 4 is a right side view thereof, the left side view being a  
mirror image thereof;  
FIG. 5 is a top view thereof;  
FIG. 6 is a bottom view thereof;  
FIG. 7 is a top and front perspective view showing the design  
in its stacked configuration;  
FIG. 8 is a bottom, front perspective view thereof;  
FIG. 9 is a front view thereof, the rear view being a mirror  
image thereof;  
FIG. 10 is a right side view thereof, the left side view being a  
mirror image thereof;  
FIG. 11 is a top view thereof; and,  
FIG. 12 is a bottom view thereof.

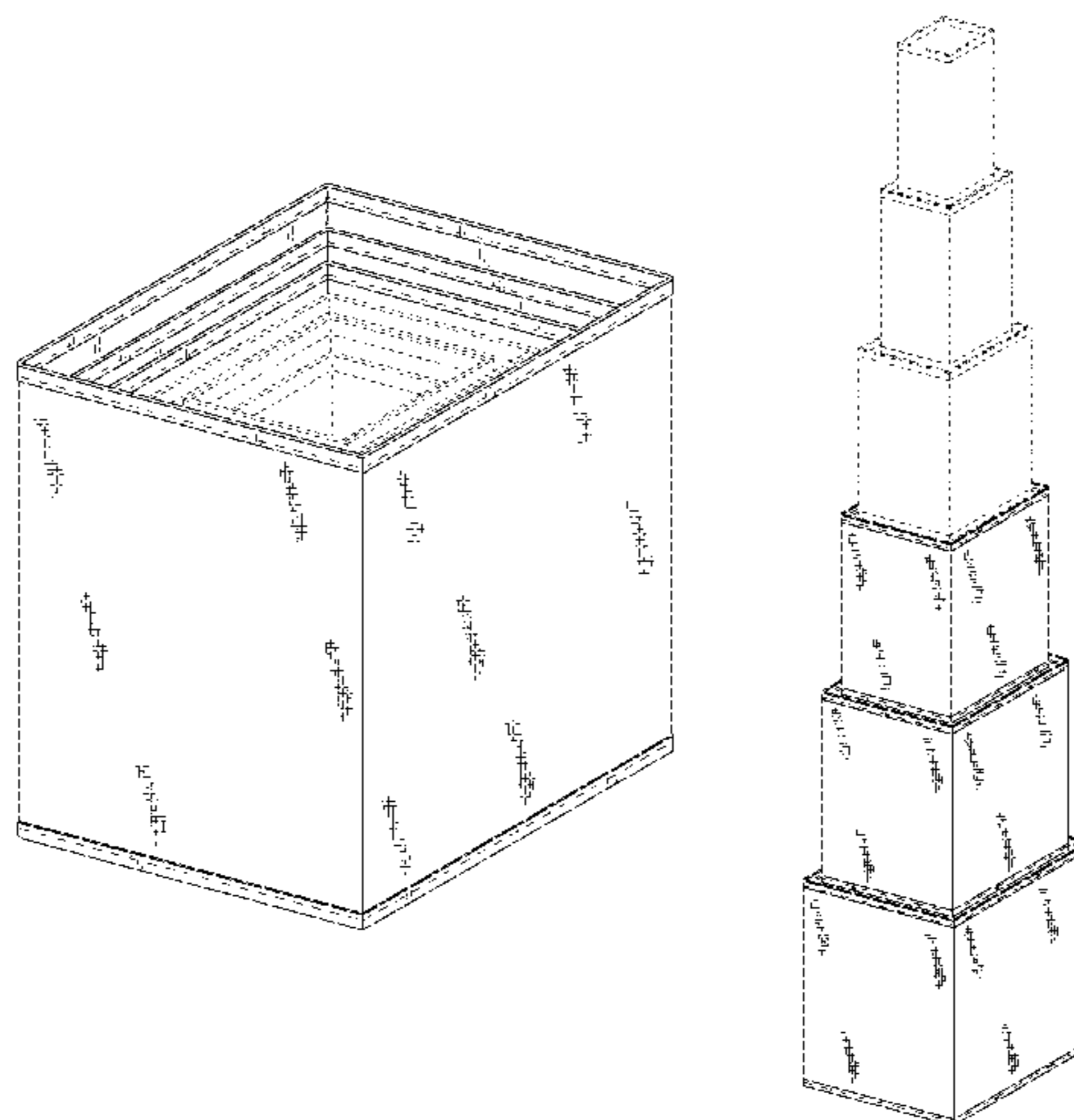
The broken lines are included for the purpose of illustrating  
seam lines and components of the nesting block set that form  
no part of the claimed design.

(56) **References Cited**

**U.S. PATENT DOCUMENTS**

124,078 A \* 2/1872 Ostrander ..... 446/85  
243,362 A \* 6/1881 Crandall ..... 434/159  
264,066 A \* 9/1882 Crandall ..... 434/159  
298,633 A \* 5/1884 Snow ..... 446/117  
550,793 A \* 12/1895 Jefferson ..... 446/85

**1 Claim, 12 Drawing Sheets**



(56)

References Cited

U.S. PATENT DOCUMENTS

1,611,443	A *	12/1926	Hothersall	222/542
1,640,171	A *	8/1927	Yancey	446/489
2,131,349	A *	9/1938	Kreider, Jr.	446/69
2,235,801	A *	3/1941	Herlihy	434/433
2,252,678	A *	8/1941	Beary	434/98
2,278,894	A *	4/1942	Paulson	446/117
2,589,588	A *	3/1952	Winnemore	446/85
3,407,514	A *	10/1968	Alpha	434/174
3,518,786	A *	7/1970	Holtvoigt	446/85
3,911,634	A *	10/1975	Horowitz et al.	52/79.2
4,279,096	A *	7/1981	Guidry	446/69
4,488,373	A *	12/1984	Glickson et al.	446/4
4,699,601	A *	10/1987	Hershfeld	446/69
D326,830	S *	6/1992	Vaughn	D11/143
D334,815	S	4/1993	Bunger	
D351,425	S	10/1994	Seiler	
D396,498	S *	7/1998	Leslie	D21/500
D454,721	S *	3/2002	Schoen	D6/405
D523,343	S *	6/2006	Castner	D9/518
D669,940	S *	10/2012	Berkshire	D21/471

OTHER PUBLICATIONS

“Many Thanks Gift Tower,” printed from [www.gifttree.com/p3/16829/Many\\_Thanks\\_Gift\\_Tower-1.html](http://www.gifttree.com/p3/16829/Many_Thanks_Gift_Tower-1.html) on Jan. 30, 2012 (2 pages).

“Wood Stacking Blocks/Shape Sorter Toy,” [www.onestepahead.com](http://www.onestepahead.com) available as early as 2011 (3 pages).

“Alphabet Nesting and Stacking Blocks Melissa & Doug”, printed from [www.bestpricetoys.com/Alphabet-Nesting-And-Stacking-Blocks/](http://www.bestpricetoys.com/Alphabet-Nesting-And-Stacking-Blocks/) on Jan. 30, 2012 (4 pages).

“Square Coloured Board Stacking Boxes,” printed from [www.littlecraftybugs.co.uk/moredetails.asp?itemid=13819&group2id=3269&subxgroupid=3269&xgroupid=108&id=3269](http://www.littlecraftybugs.co.uk/moredetails.asp?itemid=13819&group2id=3269&subxgroupid=3269&xgroupid=108&id=3269) on Jun. 29, 2012 (3 pages).

“Dr. Seuss ABC or 123 Building Blocks,” <http://www.afrugalfriend.net/2012/03/to-celebrate-dr-seuss-birthday-a-giveaway-dr-seuss-abc-or-123-building-blocks>, publicly offered for sale at least as early as Mar. 1, 2012 (2 pages).

Office Action from Canadian Patent Application No. 148466, mailed Oct. 9, 2013 (1 page).

\* cited by examiner

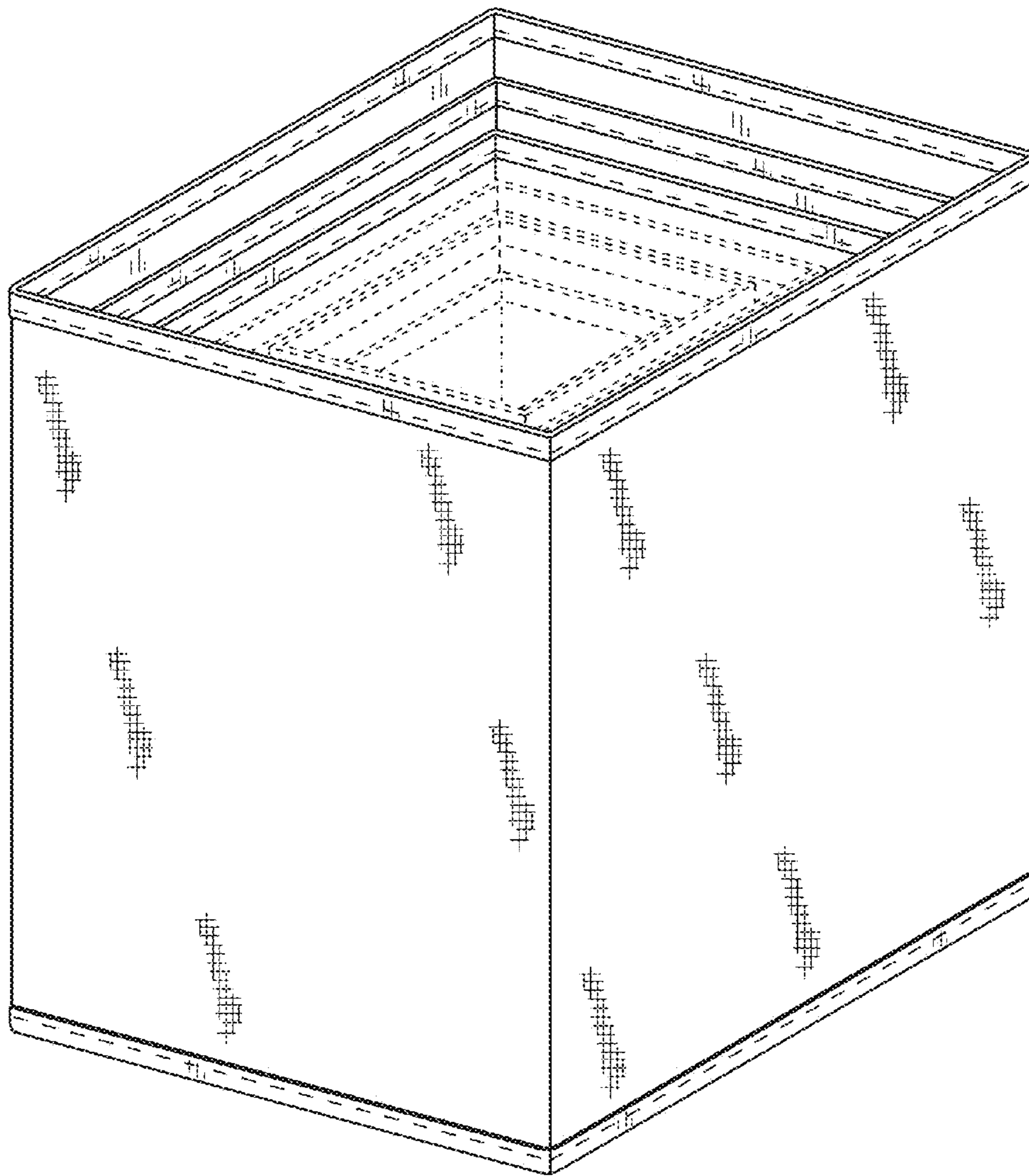


FIG. 1

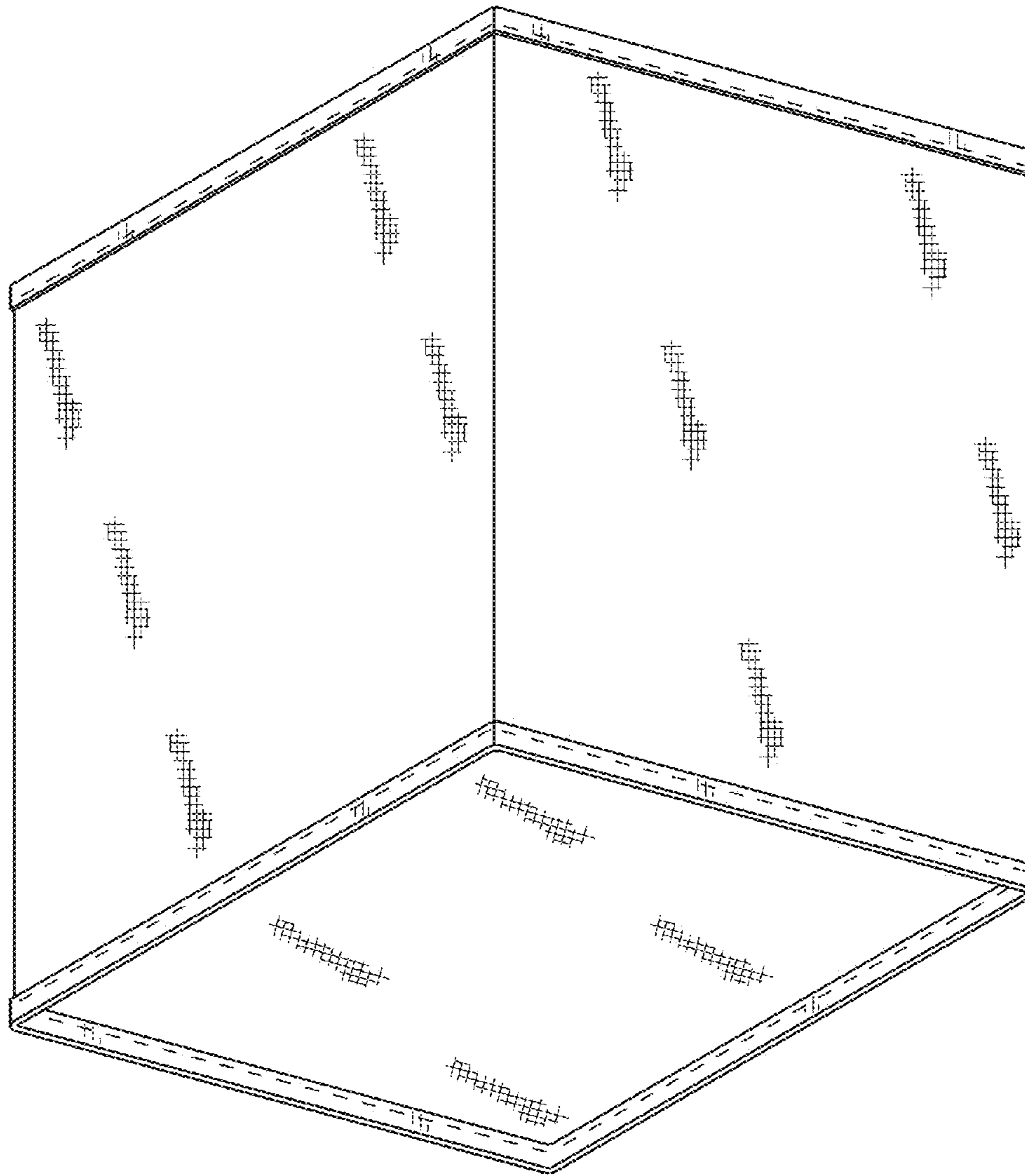


FIG. 2

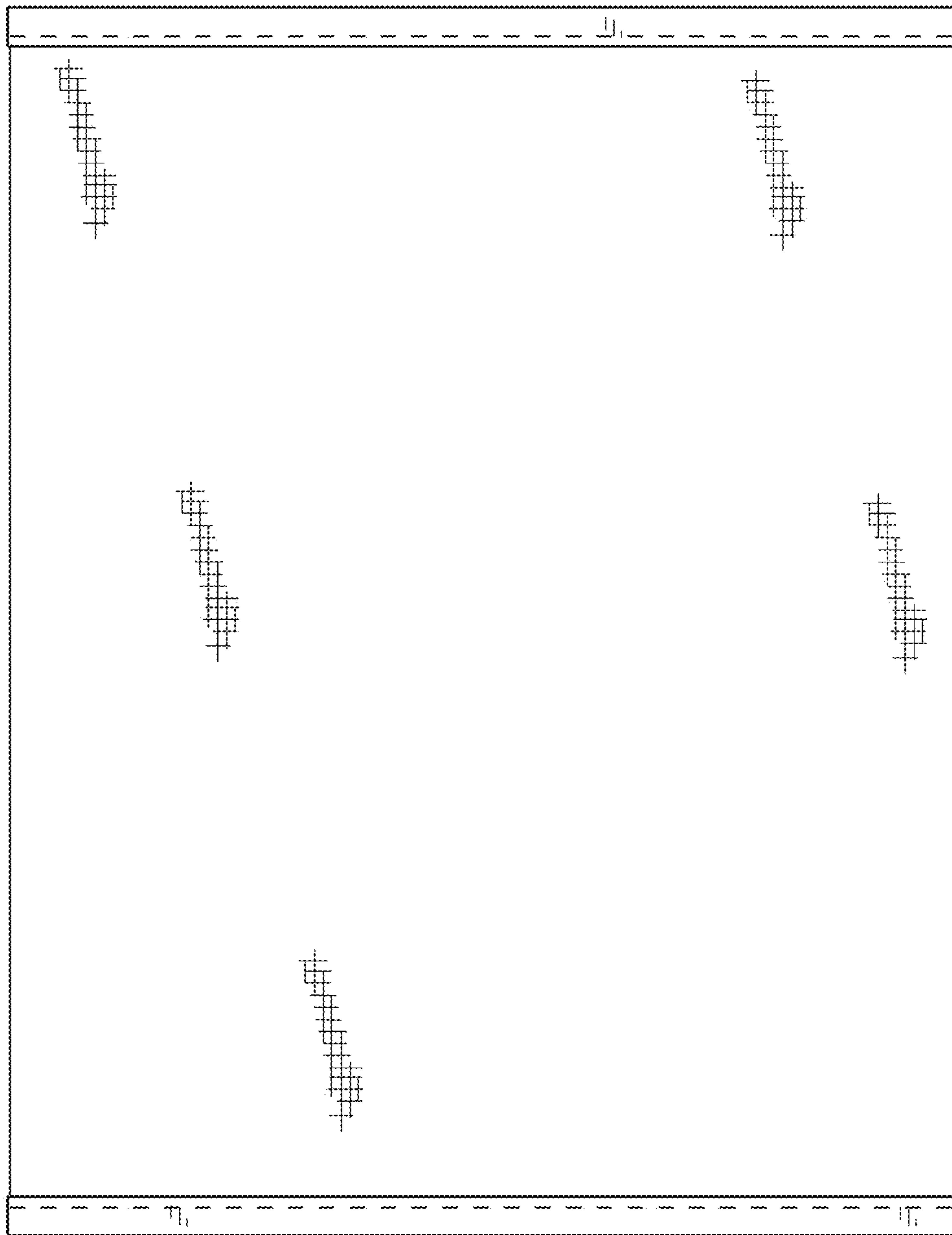


FIG. 3

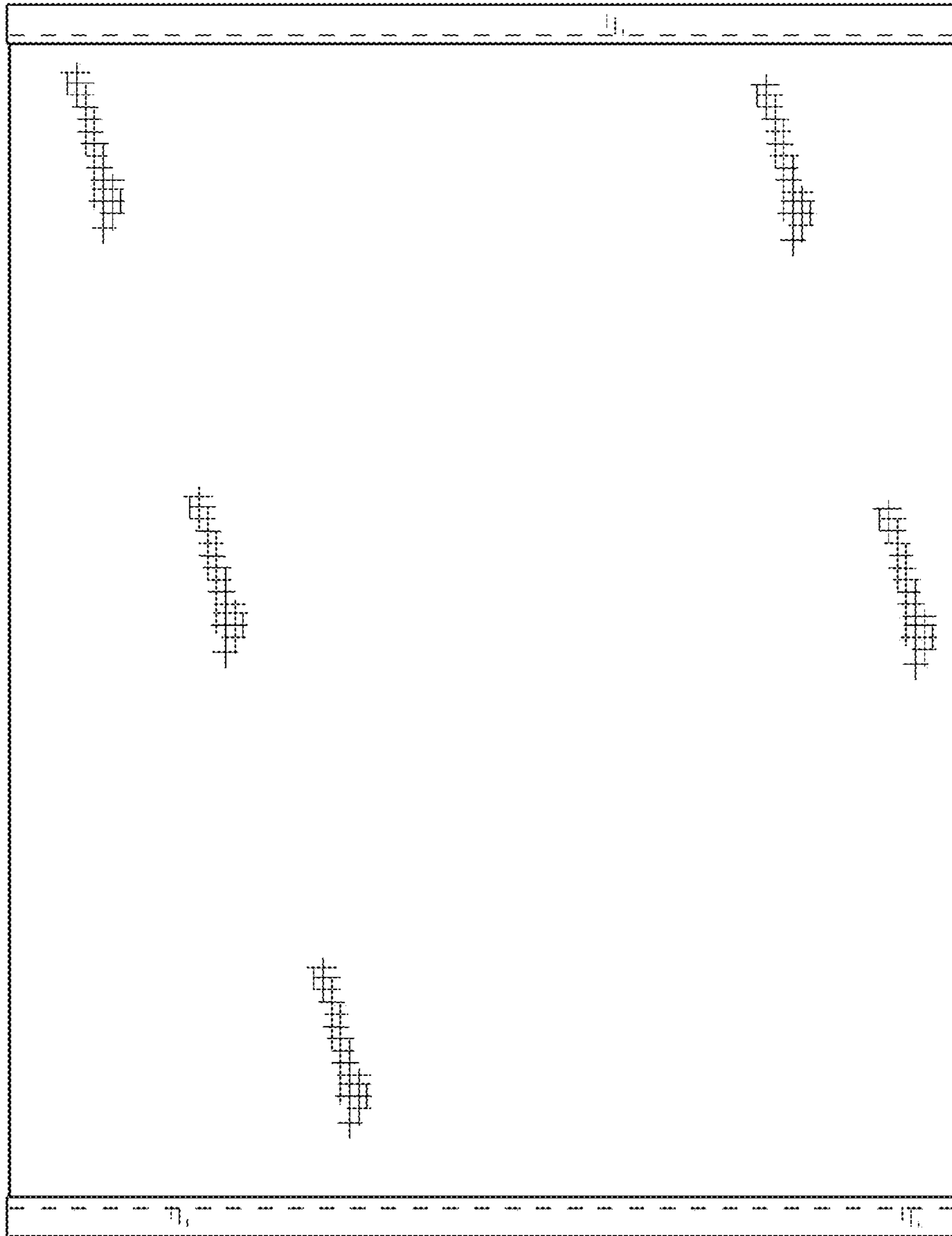


FIG. 4

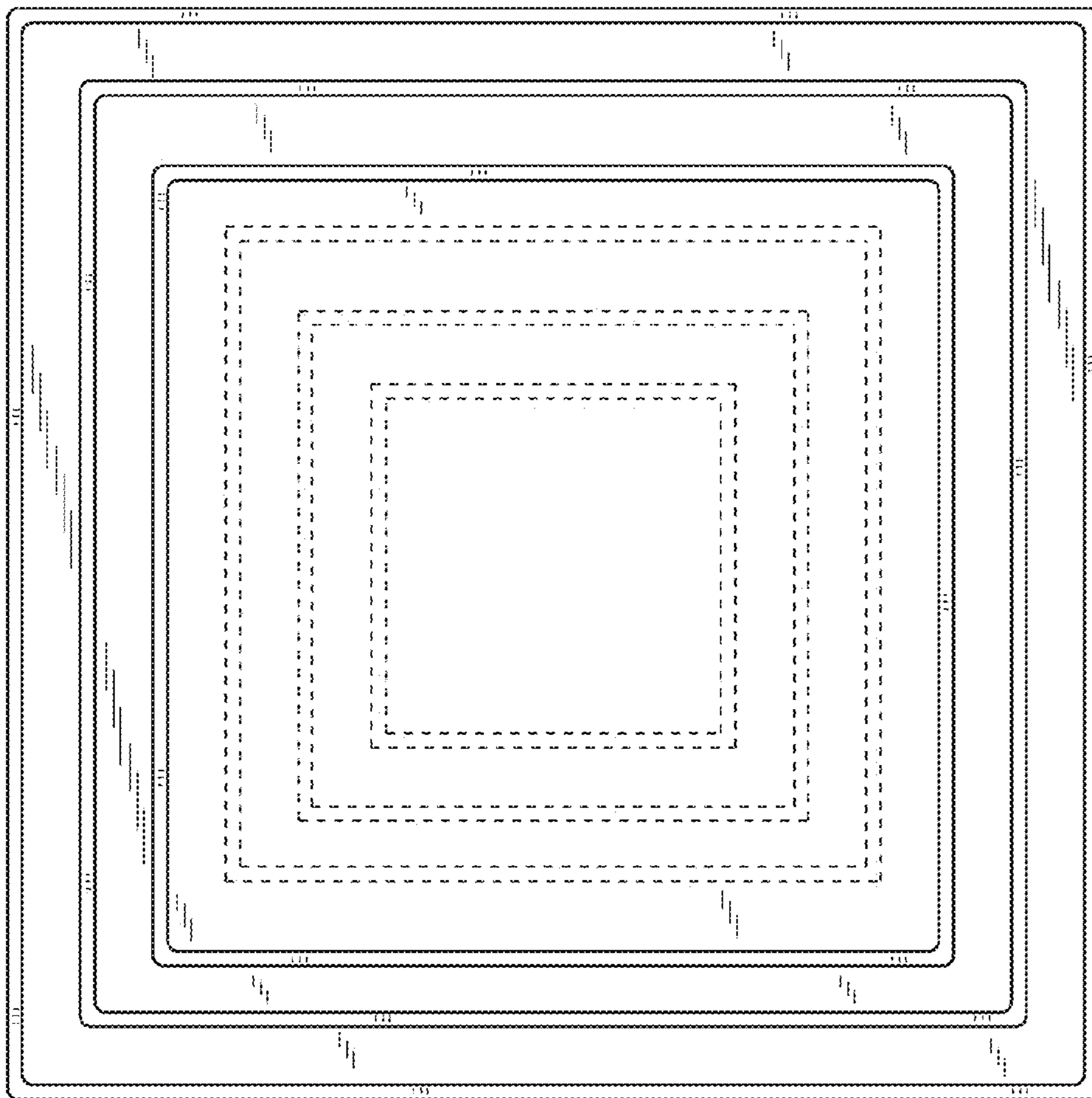


FIG. 5

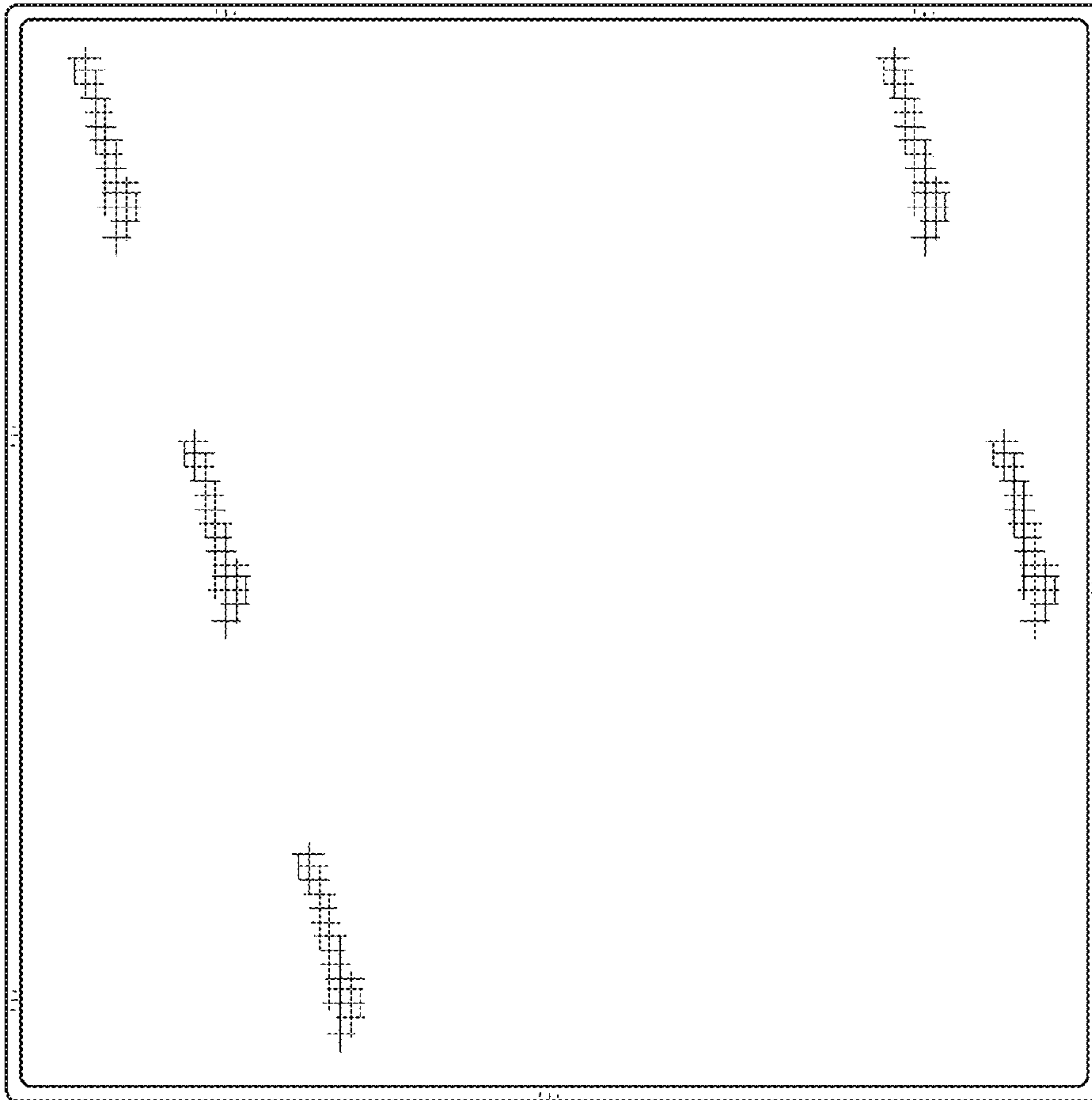


FIG. 6



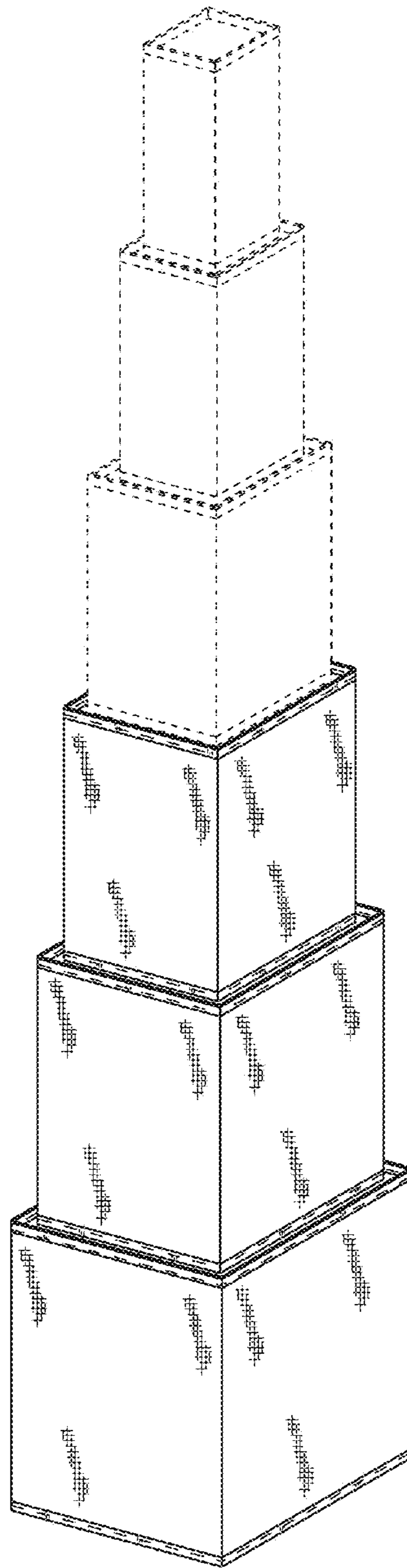


FIG. 7

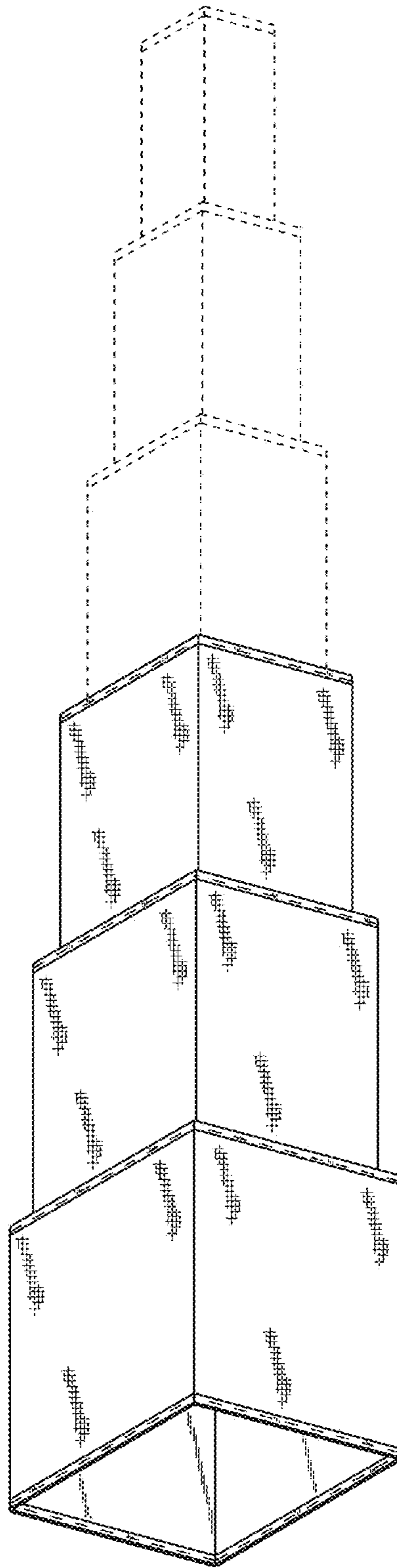


FIG. 8

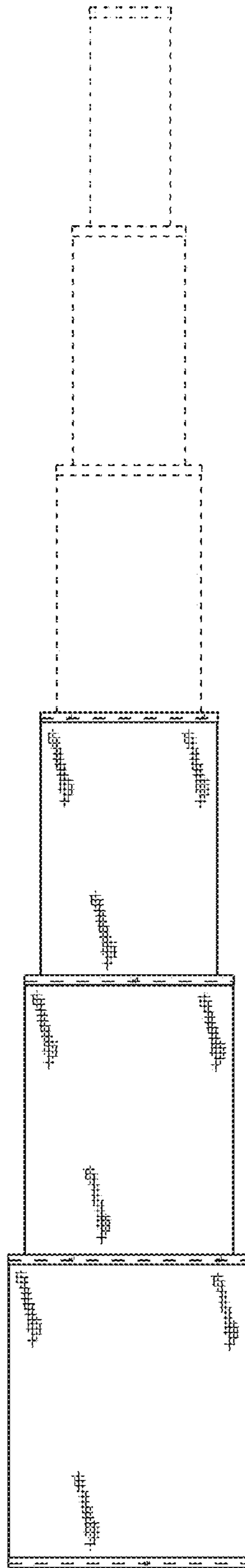


FIG. 9

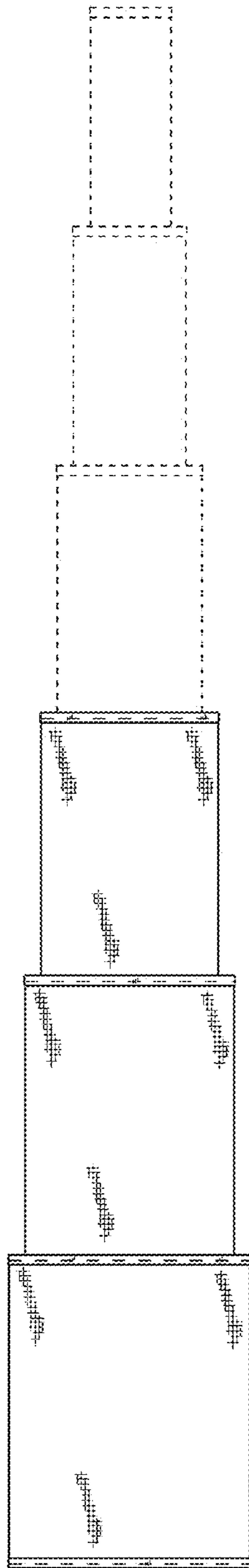


FIG. 10

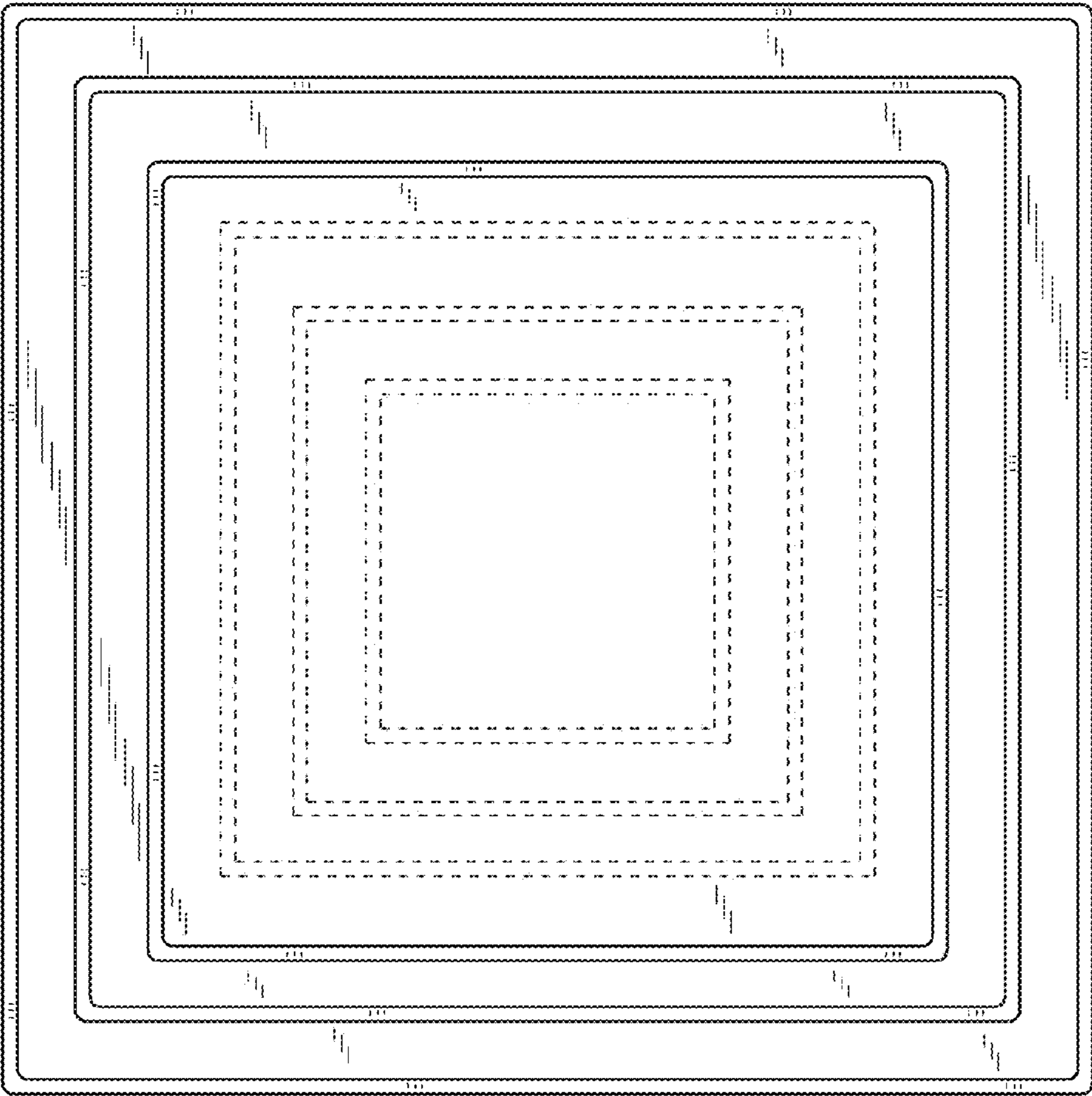


FIG. 11

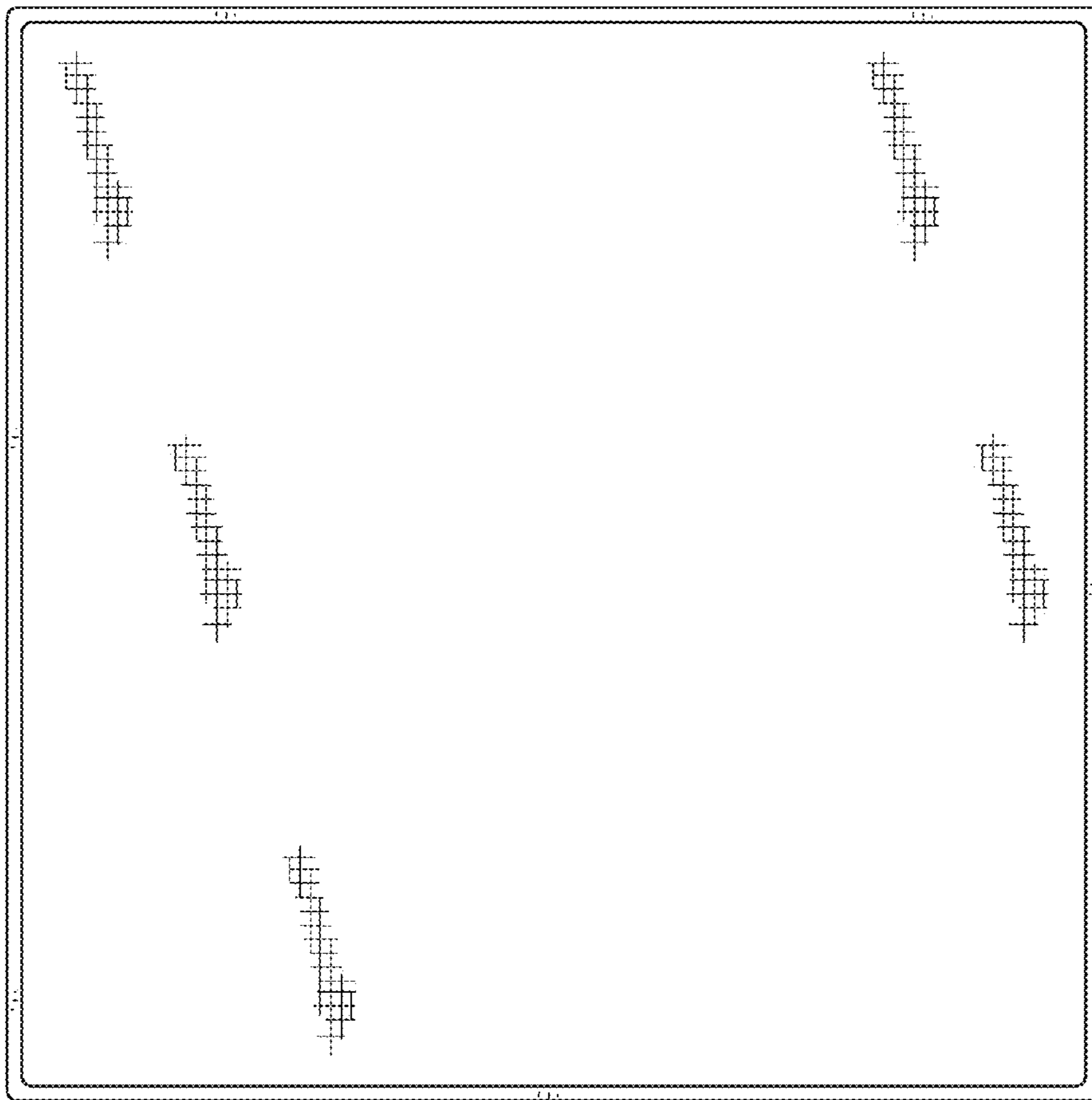


FIG. 12