



US00D728694S

(12) **United States Design Patent**  
**Nelson et al.**

(10) **Patent No.:** **US D728,694 S**  
(45) **Date of Patent:** **\*\* May 5, 2015**

(54) **BASE UNIT FOR DISPLAYING ONE OR MORE BALLOONS**

(71) Applicant: **Premium Balloon Accessories, Inc.**,  
Sharon Center, OH (US)

(72) Inventors: **David C Nelson**, Akron, OH (US);  
**Wesley A Schroeder**, Seville, OH (US)

(73) Assignee: **Premium Balloon Accessories, Inc.**,  
Sharon Center, OH (US)

(\*\*) Term: **14 Years**

(21) Appl. No.: **29/447,473**

(22) Filed: **Mar. 4, 2013**

(51) **LOC (10) Cl.** ..... **21-01**

(52) **U.S. Cl.**  
USPC ..... **D21/453**; D21/454; D11/147

(58) **Field of Classification Search**  
CPC ..... A63H 2027/1008; A47F 7/0021;  
A47F 7/0028; A47G 7/07; G09F 2017/0066  
USPC ..... D21/436, 439, 440, 453, 454; D11/147,  
D11/166, 181, 182; D19/75, 77, 84, 85;  
D6/528, 534, 552, 553, 556, 558;  
206/423, 214; 248/176.1, 346.01, 512;  
211/13.1, 113, 69, 69.1, 70;  
446/219–222; 431/126, 295; 47/41.01,  
47/41.13, 41.15

See application file for complete search history.

(56) **References Cited**

**U.S. PATENT DOCUMENTS**

D194,507 S \* 2/1963 Bennett ..... D11/147  
D195,578 S \* 7/1963 Epton ..... D21/389

3,158,524 A *	11/1964	Duncan Tong	.....	206/423
3,493,315 A *	2/1970	Nissen	.....	431/295
D218,341 S *	8/1970	Gianotti, Jr.	.....	D11/147
3,574,498 A *	4/1971	Zarinsky	.....	431/126
3,727,771 A *	4/1973	Hoffman	.....	211/69
4,958,461 A *	9/1990	Aldrich	.....	47/41.01
5,087,012 A *	2/1992	Doublet	.....	248/512
5,755,419 A *	5/1998	Gearhart et al.	.....	248/346.01
5,823,365 A *	10/1998	Page	.....	211/113
5,938,154 A *	8/1999	Bartels	.....	248/176.1
6,146,001 A *	11/2000	Cwiakala	.....	362/267
D542,705 S *	5/2007	Peterson	.....	D11/147
D598,322 S *	8/2009	Kunz	.....	D11/147
8,069,609 B1 *	12/2011	Towne et al.	.....	47/41.12

\* cited by examiner

*Primary Examiner* — Martie K Holtje

(74) *Attorney, Agent, or Firm* — Renner Kenner Greive  
Bobak Taylor & Weber

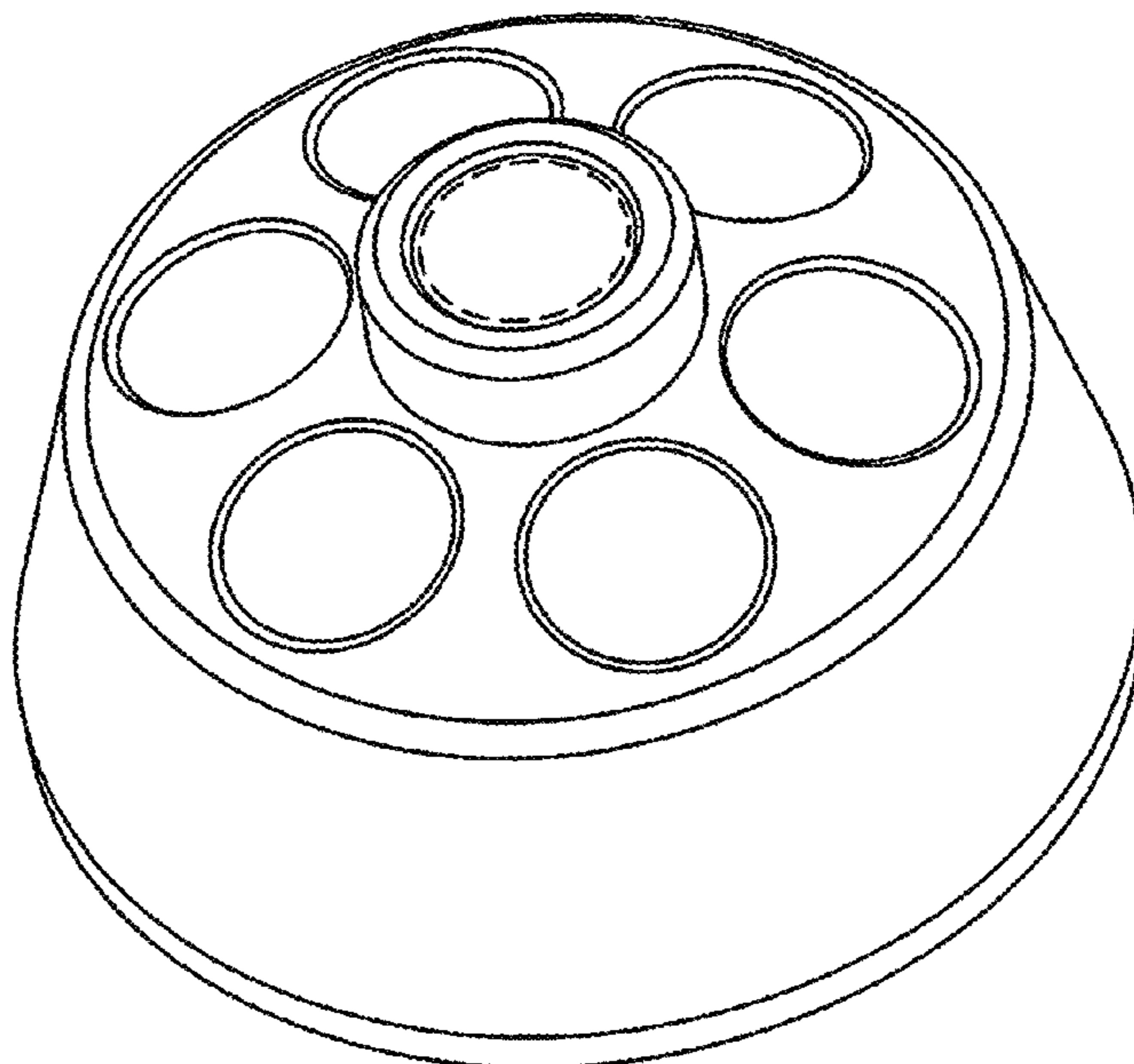
(57) **CLAIM**

The ornamental design for a base unit for displaying one or more balloons, as shown and described.

**DESCRIPTION**

FIG. 1 is a top perspective view of a base unit for displaying one or more balloons showing our new design;  
FIG. 2 is a front elevational view, the rear elevational view being a mirror image thereof;  
FIG. 3 is a right side elevational view, the left side elevational view being a mirror image thereof;  
FIG. 4 is a top plan view thereof; and,  
FIG. 5 is a bottom plan view thereof.  
The broken line periphery in FIG. 1 represents a boundary, the area within which forms no part of the claimed design.

**1 Claim, 5 Drawing Sheets**



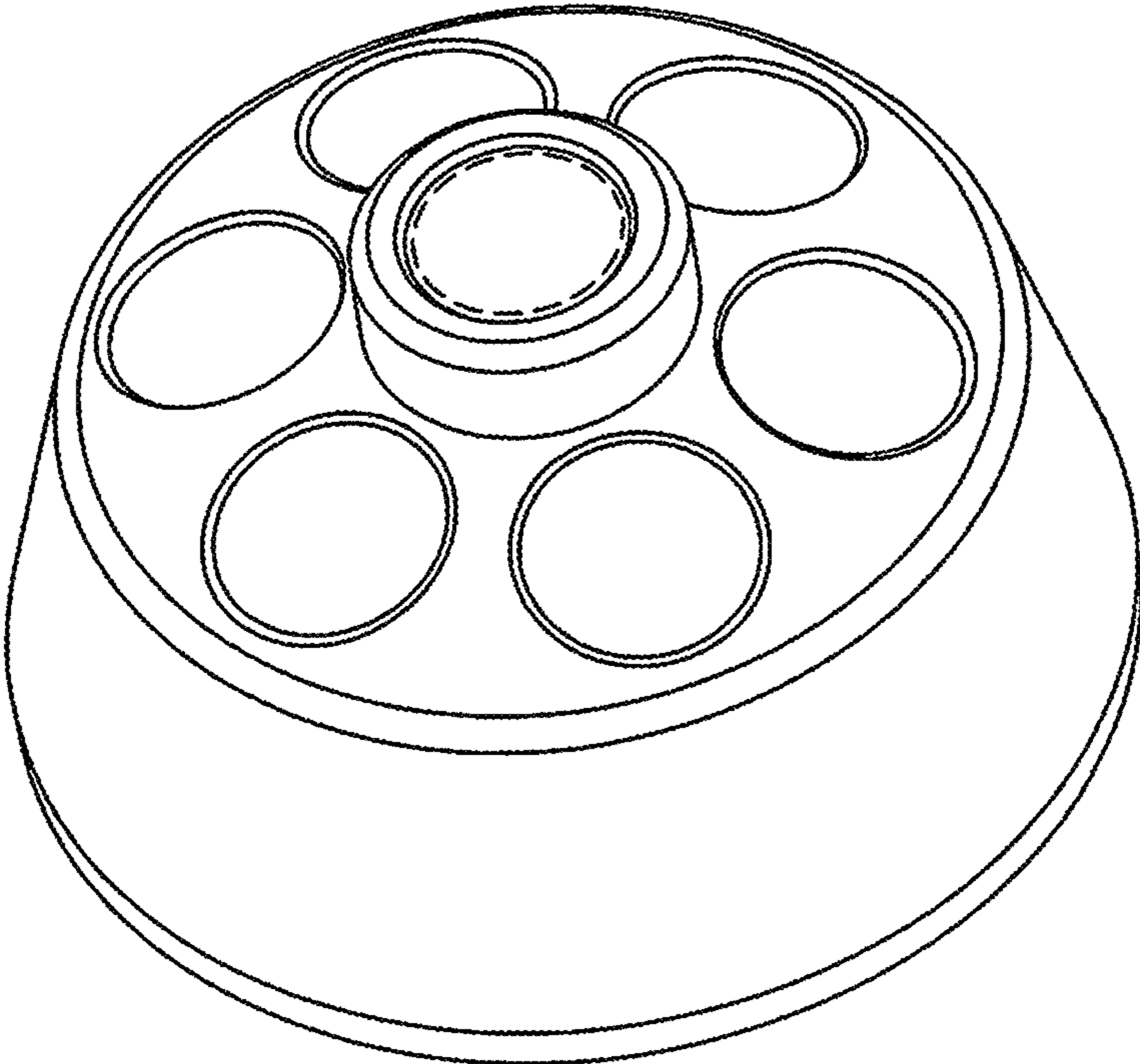


Fig. 1

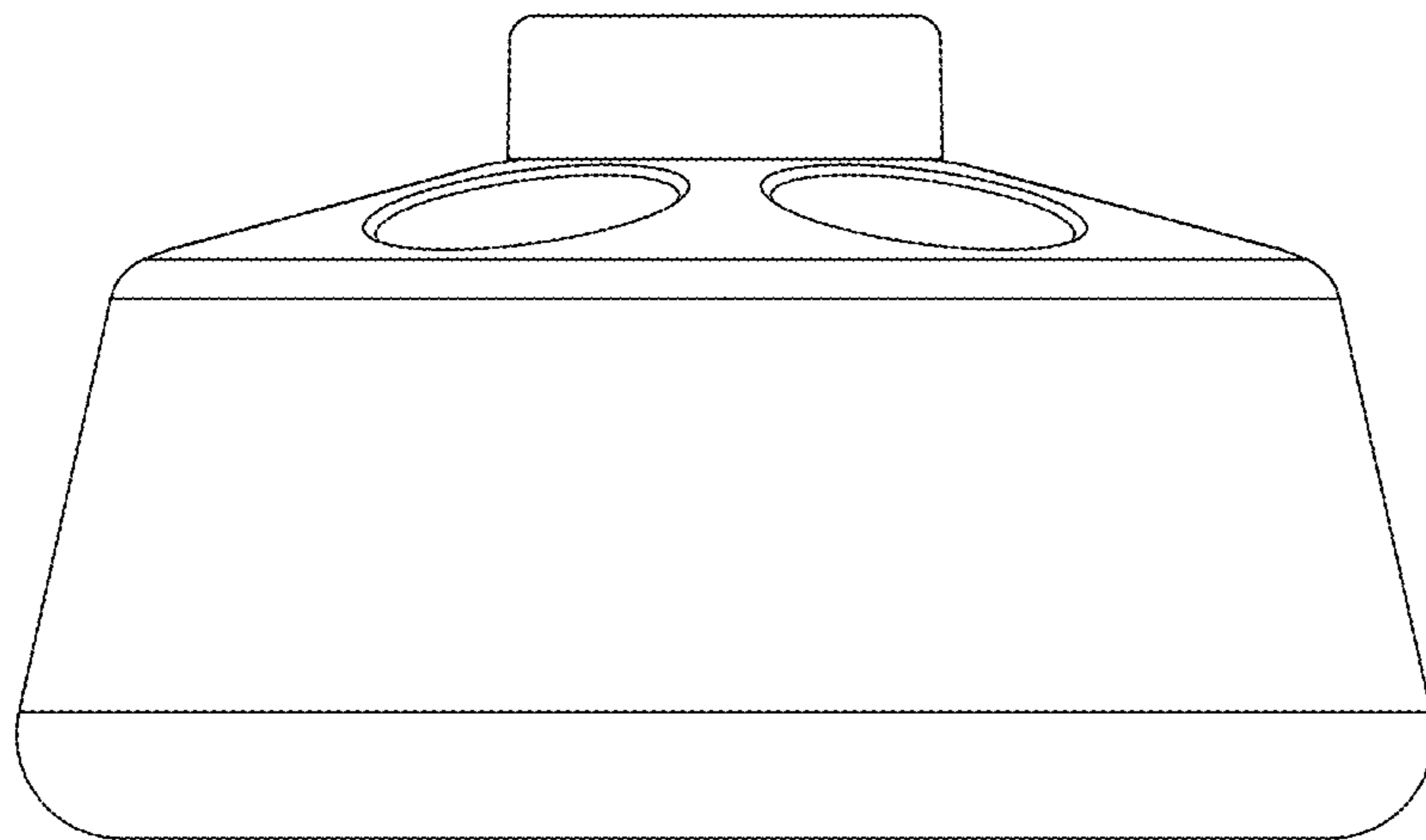


Fig. 2

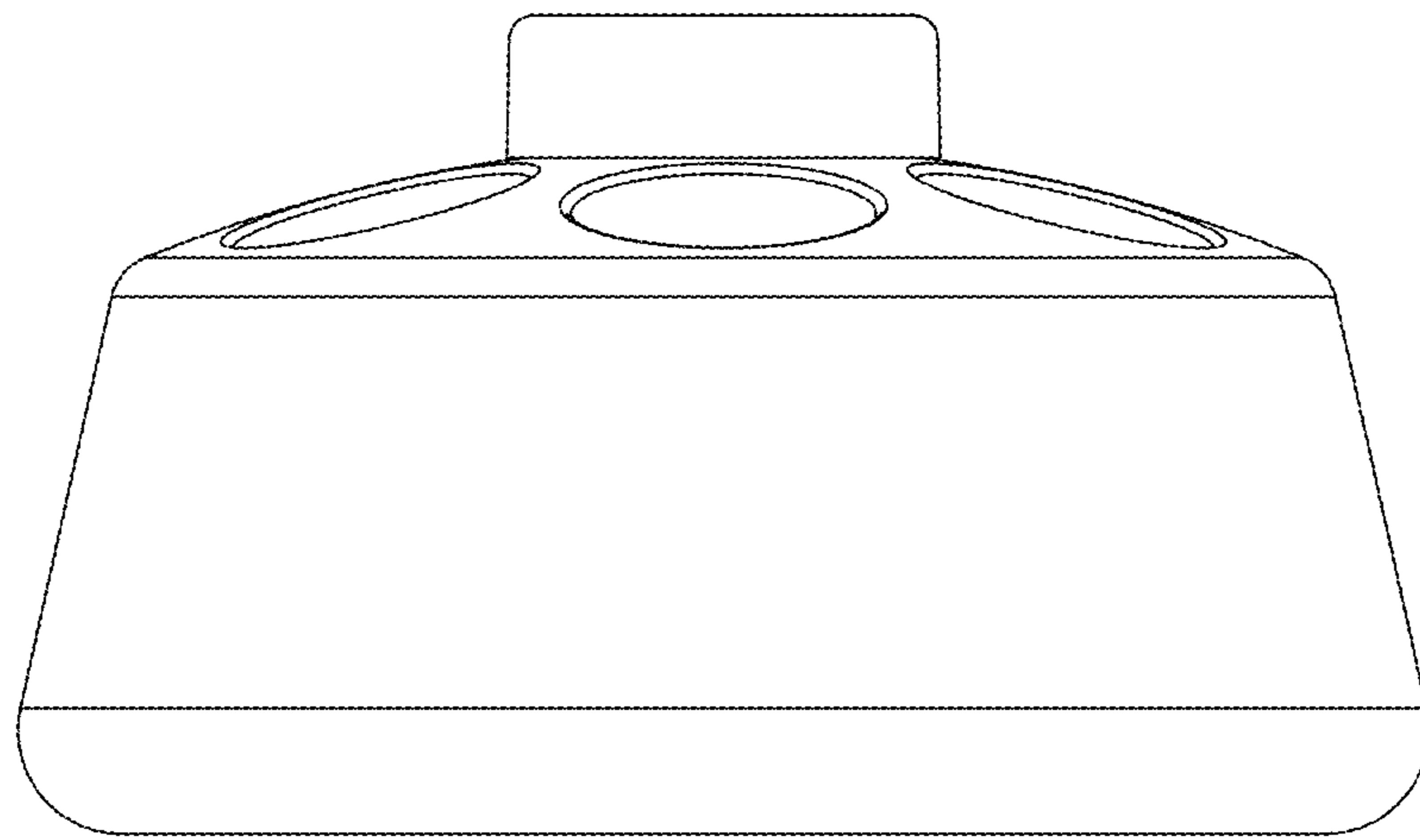


Fig. 3

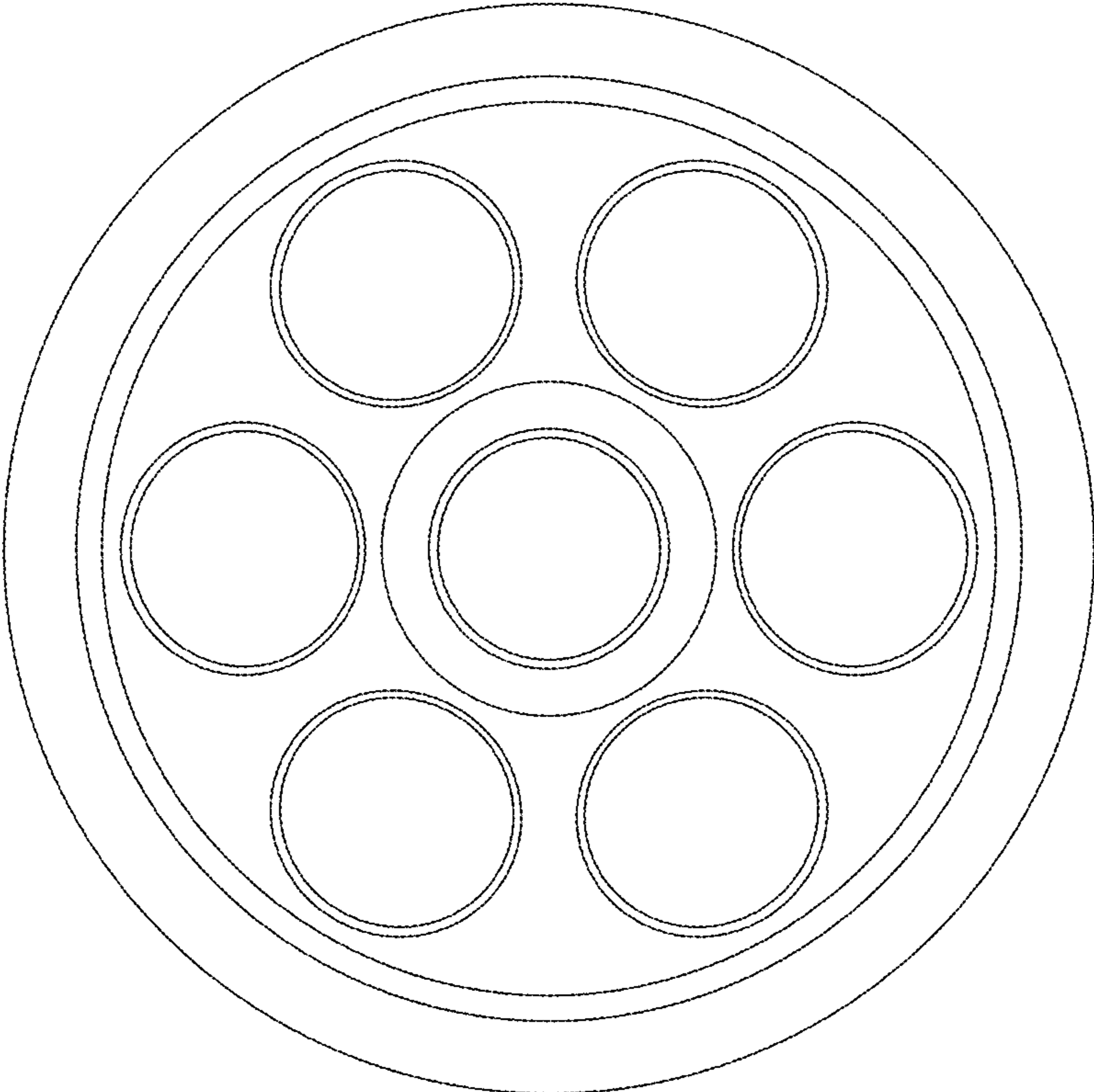


Fig. 4

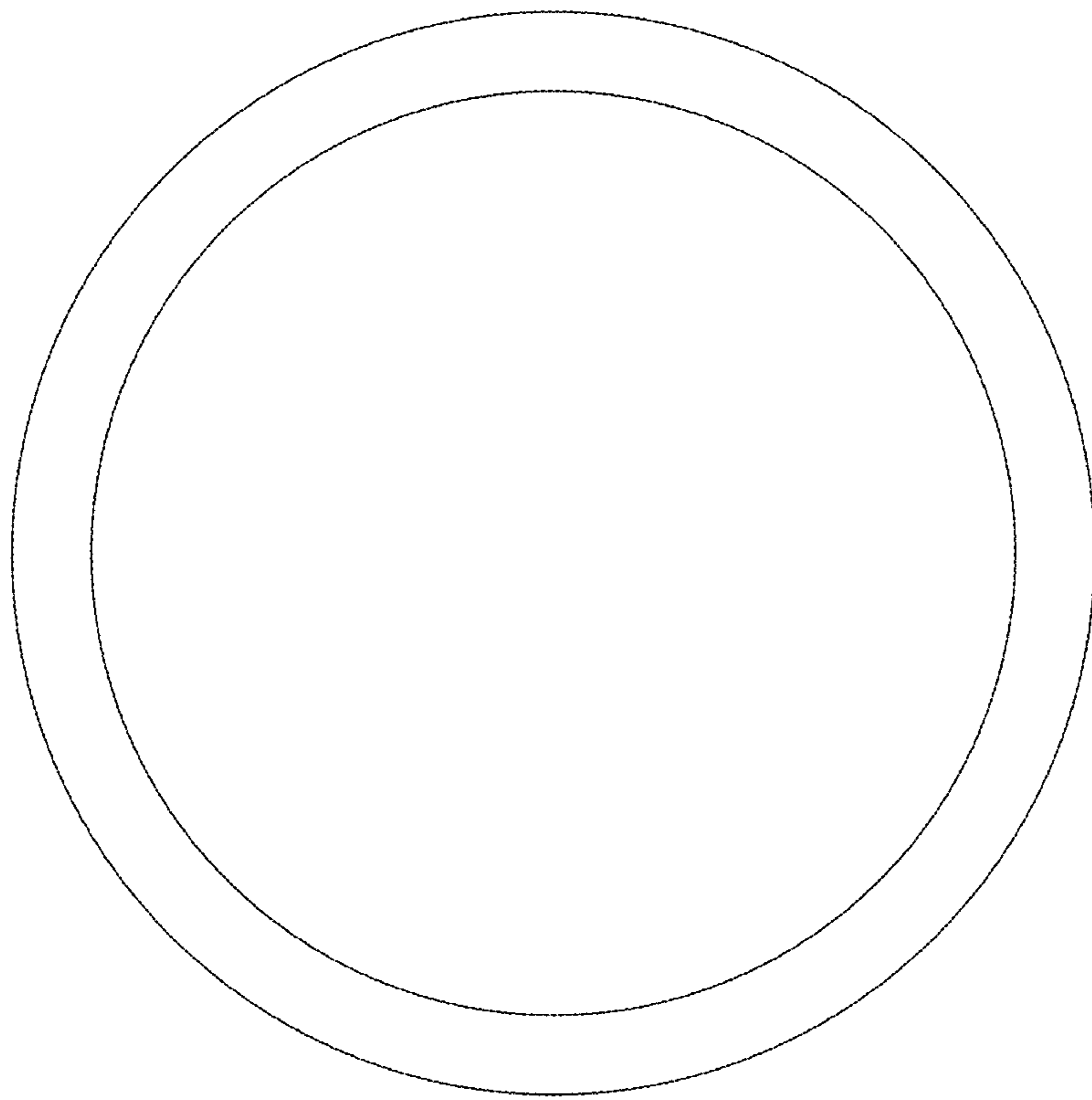


Fig. 5