



US00D728690S

(12) **United States Design Patent**  
**Jewson**

(10) **Patent No.:** **US D728,690 S**

(45) **Date of Patent:** **\*\* May 5, 2015**

(54) **WRITING INSTRUMENT**

- (71) Applicant: **Jackpen Limited**, Little Chesterton, Bicester (GB)
- (72) Inventor: **Andrew Jewson**, Little Chesterton (GB)
- (73) Assignee: **Jackpen Limited**, Little Chesterton (GB)
- (\*\*) Term: **14 Years**
- (21) Appl. No.: **29/488,466**
- (22) Filed: **Apr. 18, 2014**

**Related U.S. Application Data**

- (63) Continuation-in-part of application No. 13/866,845, filed on Apr. 19, 2013.

(30) **Foreign Application Priority Data**

Aug. 7, 2012 (GB) ..... 1214113.1  
 Dec. 11, 2013 (EM) ..... 002367565

(51) **LOC (10) Cl.** ..... **19-06**

(52) **U.S. Cl.**  
USPC ..... **D19/179**

(58) **Field of Classification Search**

CPC ..... B43K 5/005; B43K 7/00; B43K 7/01;  
 B43K 7/10; B43K 8/02; B43K 8/022; B43K  
 8/024; B43K 8/026; B43K 8/028; B43K 8/03;  
 B43K 11/00; B43K 11/005; B65D 50/04;  
 B65D 2101/0038

USPC ..... D14/411; D19/115-204; D9/420, 422,  
 D9/424, 529, 572, 689; D3/206

See application file for complete search history.

(56) **References Cited**

U.S. PATENT DOCUMENTS

D258,454	S	*	3/1981	Echevarria et al.	.....	D19/42
4,588,319	A	*	5/1986	Niemeyer	.....	401/205
5,935,104	A	*	8/1999	Janek et al.	.....	604/110
D445,176	S	*	7/2001	Landers	.....	D24/114
6,659,673	B1		12/2003	Haffner et al.		
D578,210	S	*	10/2008	Muta et al.	.....	D24/114
D708,260	S	*	7/2014	Mills	.....	D19/149
2004/0113897	A1		6/2004	Brumfield		
2011/0158738	A1	*	6/2011	Bainbridge et al.	.....	401/206
2012/0009005	A1	*	1/2012	Czubarow et al.	.....	401/198
2014/0016811	A1		1/2014	Fang et al.		

FOREIGN PATENT DOCUMENTS

CN			2891515	Y		4/2007
CN			201205818	Y		3/2009
CN			201388217	Y		1/2010
CN			201937650	U		8/2011

(Continued)

OTHER PUBLICATIONS

Online Review of Jackpen in The Gadgeteer, by Julie Strietelmeier, Oct. 27, 2013, the-gadgeteer.com.\*

(Continued)

*Primary Examiner* — Elizabeth Albert

(74) *Attorney, Agent, or Firm* — Lewis Rice LLC

(57) **CLAIM**

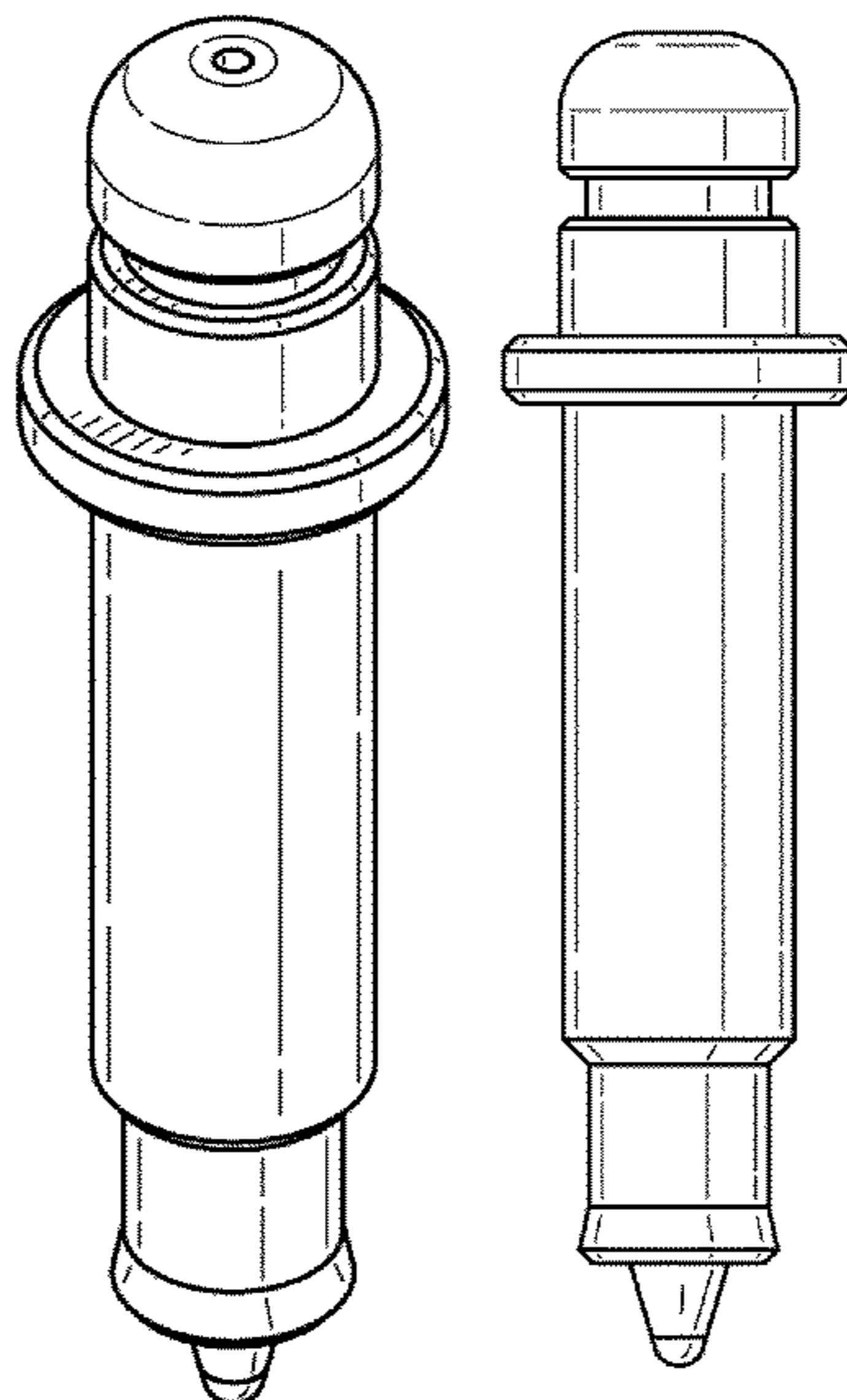
The ornamental design for a writing instrument, as shown and described.

**DESCRIPTION**

FIG. 1 provides a perspective view of a writing instrument. FIG. 2 provides a side view of a writing instrument, all sides being the same.

FIG. 3 provides a top view of a writing instrument; and, FIG. 4 provides a bottom view of a writing instrument.

**1 Claim, 2 Drawing Sheets**



(56)

**References Cited**

**OTHER PUBLICATIONS**

**FOREIGN PATENT DOCUMENTS**

DE	29910384	U1	3/2000
EP	2388855	A1	11/2011
ES	2167216	A1	5/2002
JP	2002009913	A	1/2002
JP	2004195952	A	7/2004
JP	2009090484	A	4/2009
JP	31766667	U	6/2012
KR	20120006596	A	1/2012
NL	1038411	C1	5/2012
TW	201102803	A	1/2011
WO	2005029343	A1	3/2005

Search and Examination Report, Great Britain Patent Application No. GB1101039.4, Nov. 18, 2011, 6 pages.

Jackpen, <http://www.jackpen.com>, printed on Apr. 19, 2013, 1 page.

Search Report, Great Britain Patent Application No. GB1307140.2, Jun. 14, 2013, two pages.

Search Report, Great Britain Patent Application No. GB1214113.1, Jan. 23, 2014, four pages.

Search Report, International Application No. PCT/GB2013/052097, Oct. 2, 2013, 12 pages.

\* cited by examiner

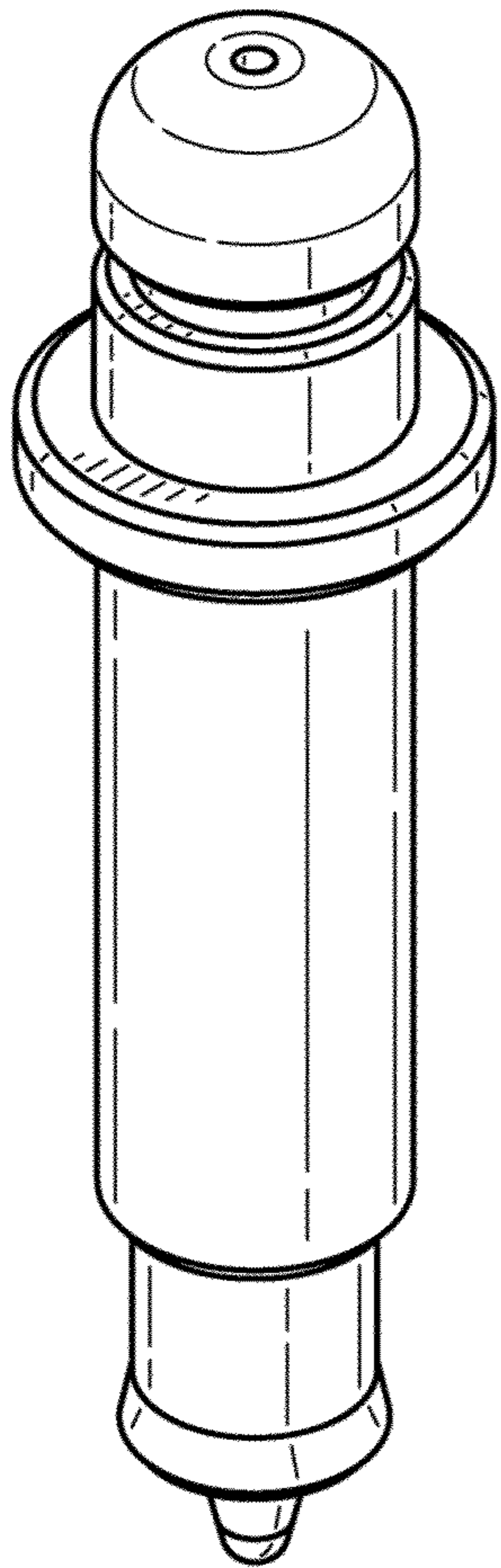


FIG. 1

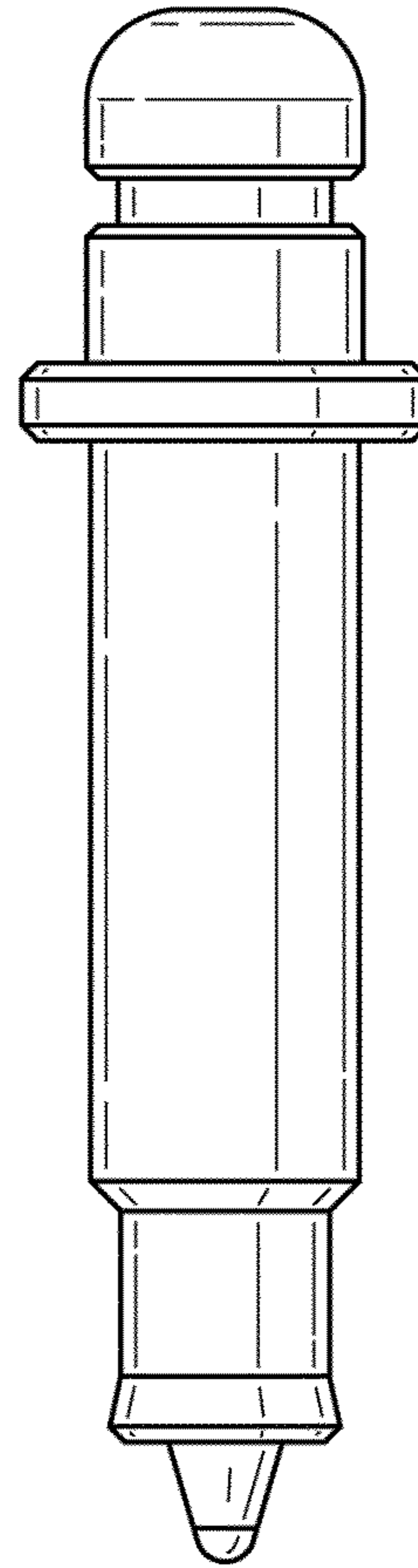


FIG. 2

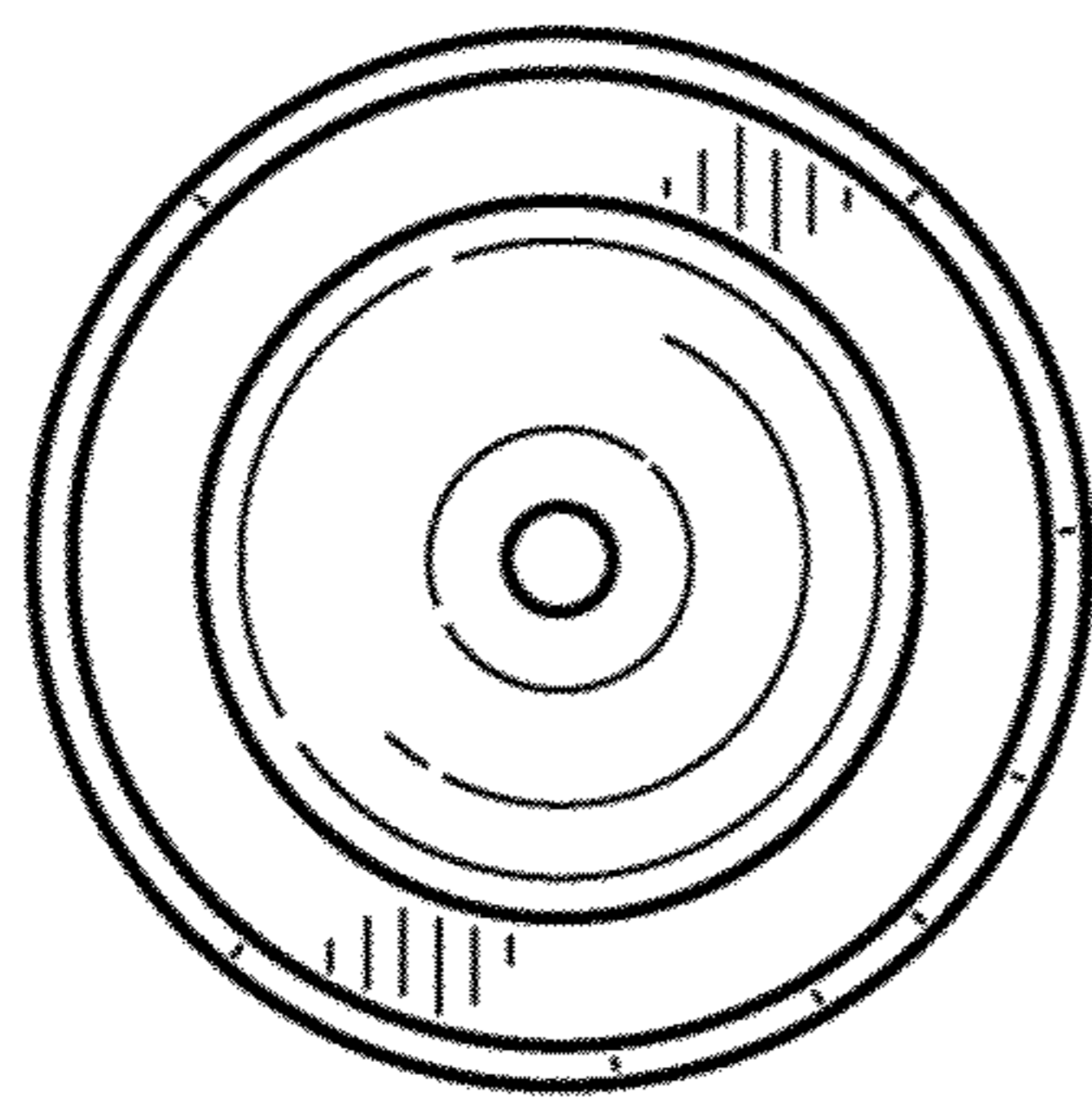


FIG. 3

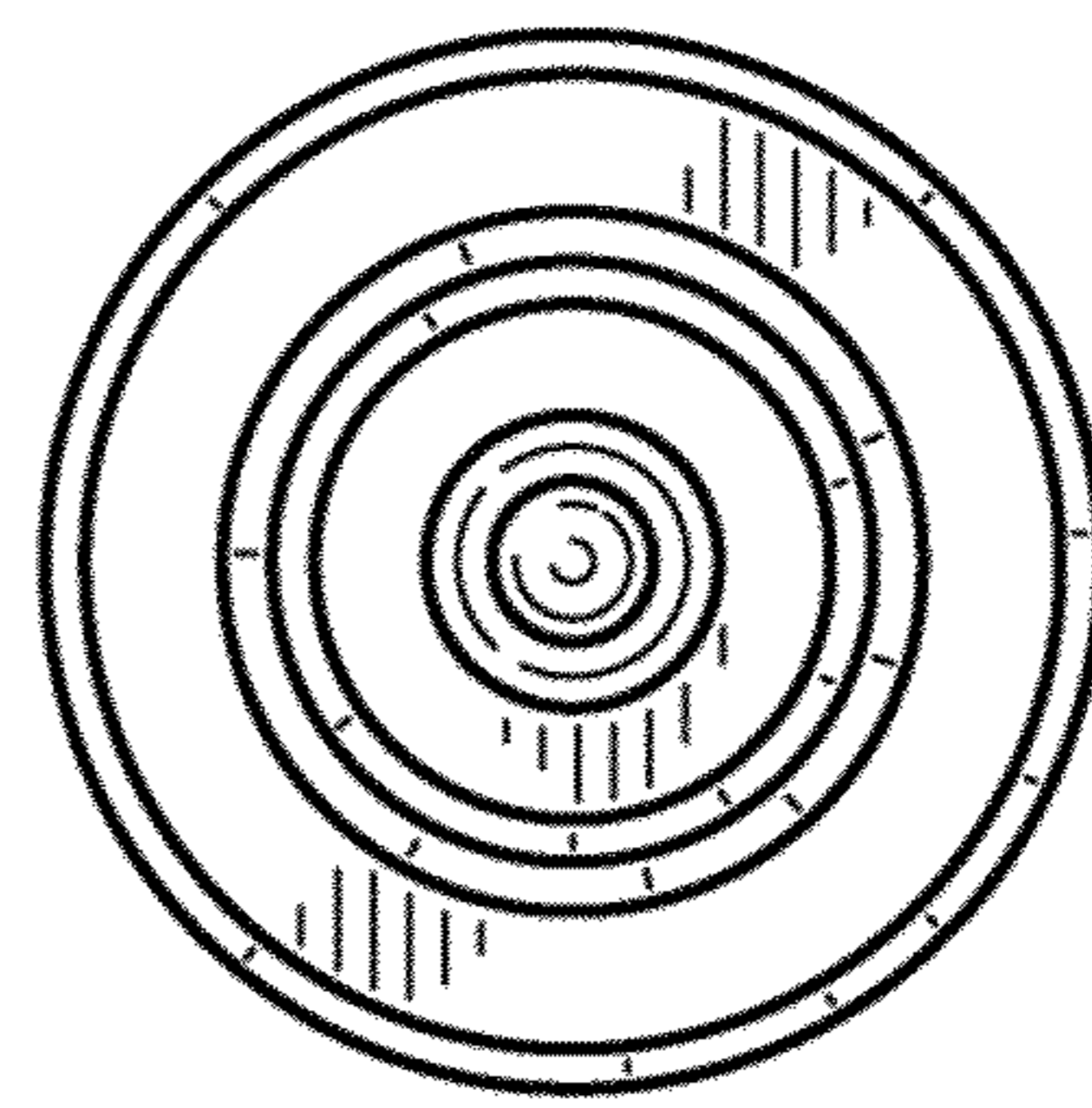


FIG. 4