

US00D728689S

(12) **United States Design Patent**
Ikeda

(10) **Patent No.:** **US D728,689 S**
(45) **Date of Patent:** **** May 5, 2015**

- (54) **BALLPOINT PEN**
- (71) Applicant: **Kabushiki Kaisha Pilot Corporation,**
Tokyo (JP)
- (72) Inventor: **Akinori Ikeda,** Tokyo (JP)
- (73) Assignee: **Kabushiki Kaisha Pilot Corporation,**
Tokyo (JP)
- (**) Term: **14 Years**
- (21) Appl. No.: **29/488,125**
- (22) Filed: **Apr. 16, 2014**
- (30) **Foreign Application Priority Data**

Oct. 22, 2013 (JP) 2013-024600

- (51) **LOC (10) Cl.** **19-06**
- (52) **U.S. Cl.**
USPC **D19/168; D19/916**

- (58) **Field of Classification Search**
CPC B43K 5/005; B43K 7/00; B43K 7/01;
B43K 7/10; B43K 8/02; B43K 8/002; B43K
8/024; B43K 8/026; B43K 8/028; B43K 8/03;
B43K 11/00; B43K 11/005; B65D 50/04;
B65D 2101/0038
USPC D14/411; D19/115-204; 401/52,
401/99-109, 192, 195, 196
See application file for complete search history.

- (56) **References Cited**
U.S. PATENT DOCUMENTS

D218,491 S * 8/1970 Danbury et al. D19/49
D227,037 S * 5/1973 Bajusz D19/51

D254,912 S * 5/1980 Ito D19/48
D478,350 S * 8/2003 Furlong D19/43
D547,375 S * 7/2007 Gerules D19/51
D591,348 S * 4/2009 Yu et al. D19/49
D610,617 S * 2/2010 Zhang D19/50
D628,239 S * 11/2010 Yazawa D19/47
D628,638 S * 12/2010 Zhano D19/48
D648,795 S * 11/2011 Casciotti et al. D19/54
D660,358 S * 5/2012 Zhang D19/48
D668,717 S * 10/2012 Mizoguchi D19/50
D679,322 S * 4/2013 Martin D19/48
D703,269 S * 4/2014 Kermoal et al. D19/168
D707,291 S * 6/2014 Kermoal et al. D19/916

* cited by examiner

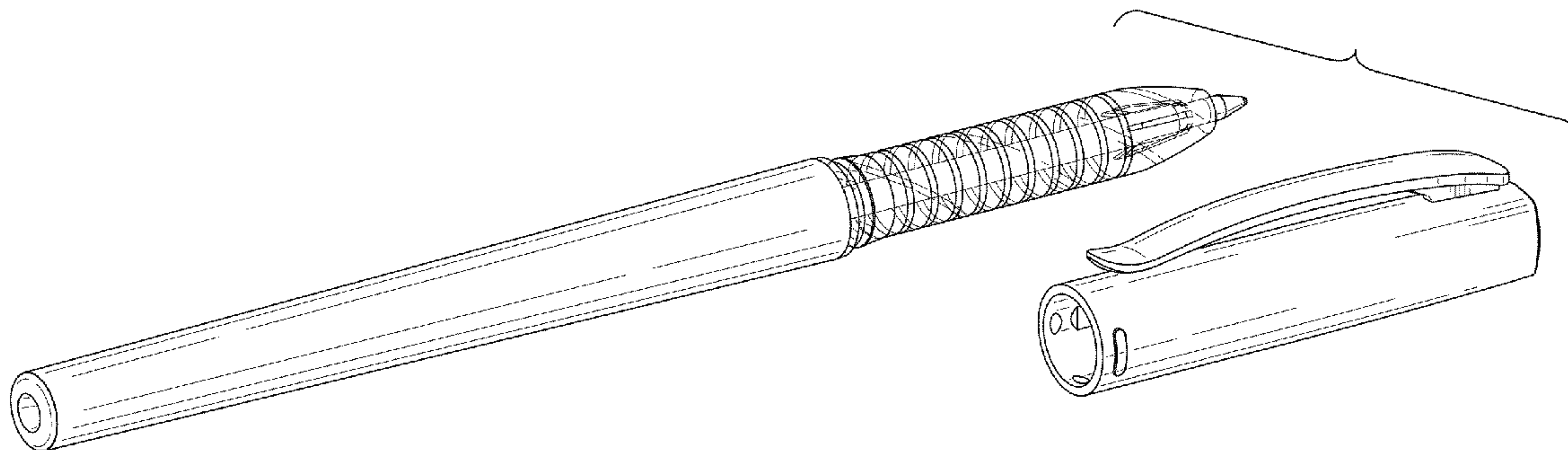
Primary Examiner — Elizabeth Albert
(74) *Attorney, Agent, or Firm* — Sughrue Mion, PLLC

- (57) **CLAIM**
The ornamental design for a ballpoint pen, as shown and described.

DESCRIPTION

FIG. 1 is a perspective view of front, top and left side of a ballpoint pen showing my new design;
FIG. 2 is a front view thereof;
FIG. 3 is a left side view thereof;
FIG. 4 is a right side view thereof;
FIG. 5 is a top view thereof;
FIG. 6 is a bottom view thereof;
FIG. 7 is a front perspective view indicating a state that a cap is detached from a main body; and,
FIG. 8 is a rear perspective view indicating a state that the cap is detached from the main body.

1 Claim, 3 Drawing Sheets



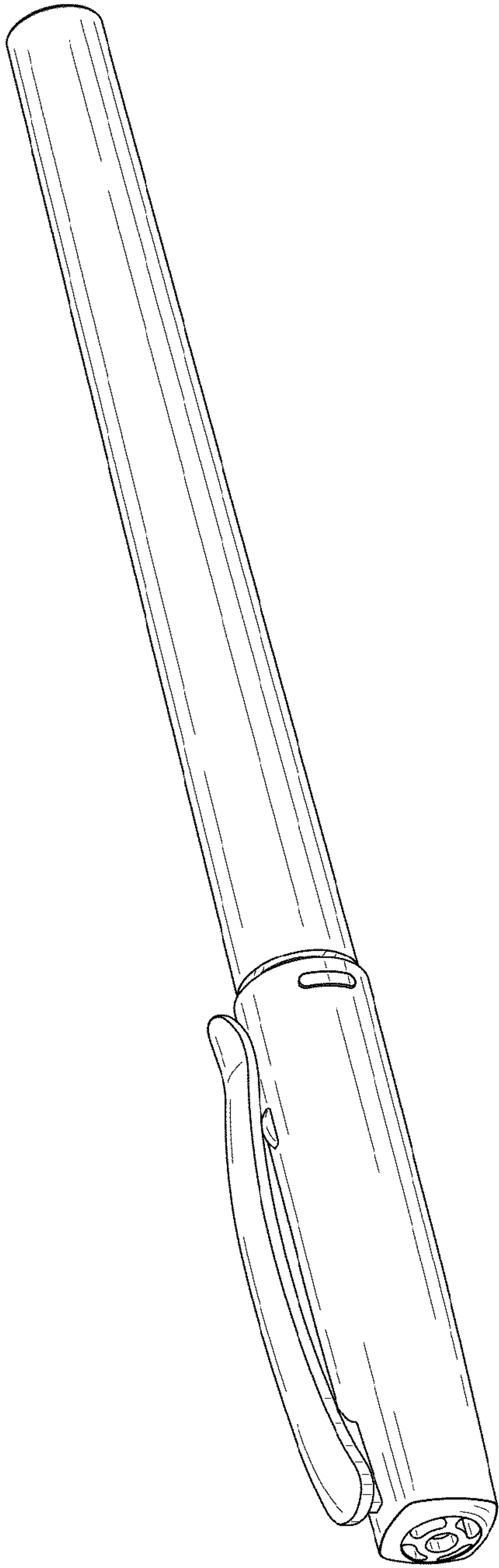


FIG. 1

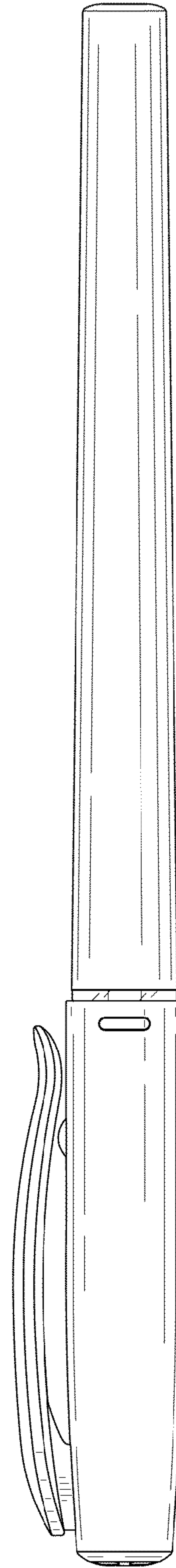


FIG. 2

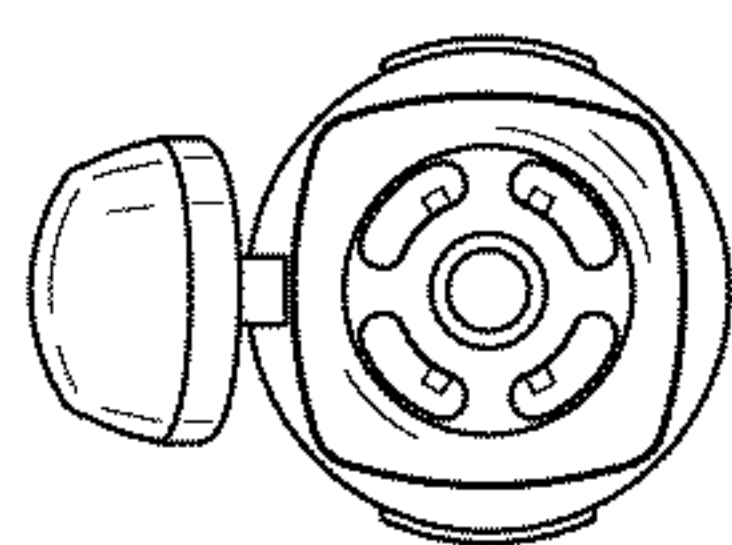


FIG. 3

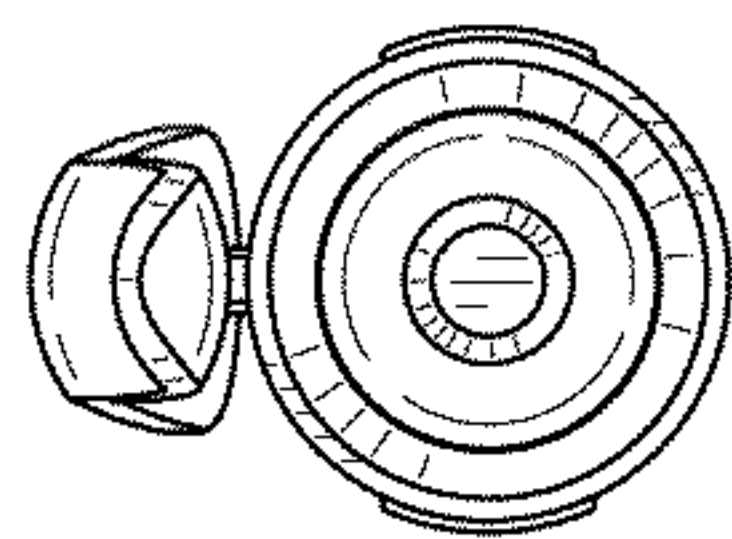


FIG. 4

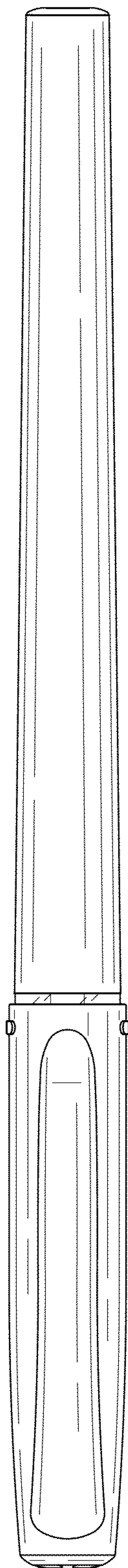


FIG. 5

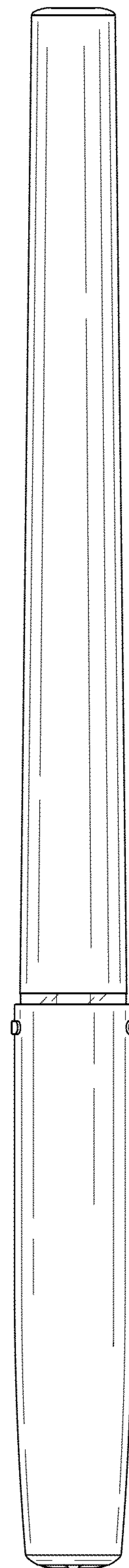


FIG. 6

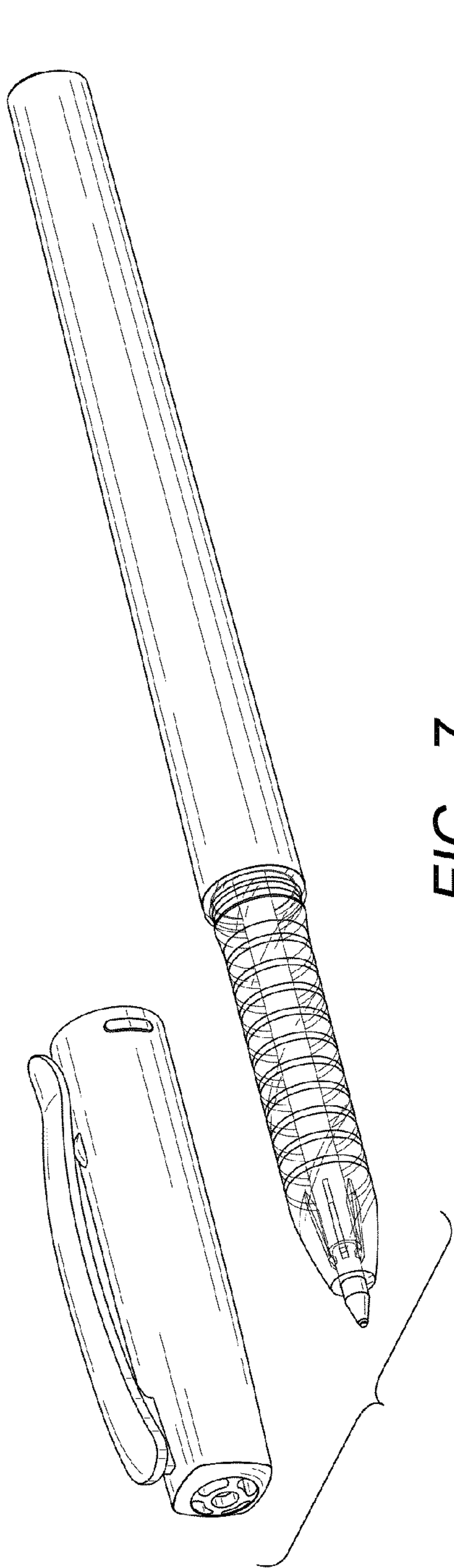


FIG. 7

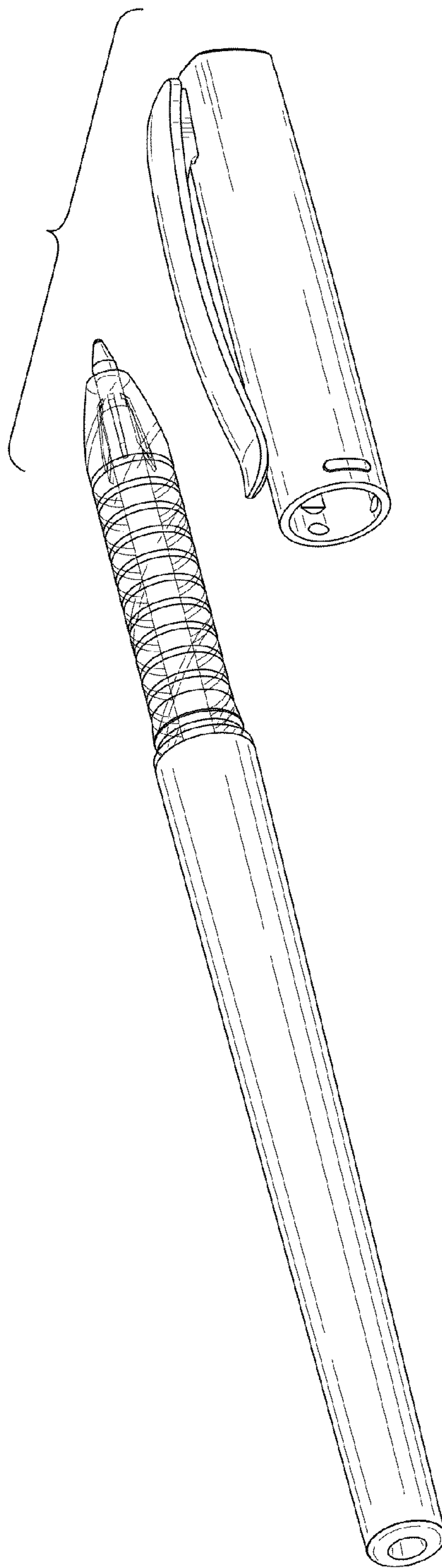


FIG. 8