

US00D728688S

(12) **United States Design Patent**
Hung

(10) **Patent No.:** **US D728,688 S**

(45) **Date of Patent:** **** May 5, 2015**

- (54) **PEN**
- (71) Applicant: **Peter M. H. Hung**, Kowloon (HK)
- (72) Inventor: **Peter M. H. Hung**, Kowloon (HK)
- (73) Assignee: **Fulon Development Limited**, Kowloon (HK)
- (**) Term: **14 Years**
- (21) Appl. No.: **29/487,995**
- (22) Filed: **Apr. 15, 2014**
- (51) **LOC (10) Cl.** **19-06**
- (52) **U.S. Cl.**
USPC **D19/166; D19/902**
- (58) **Field of Classification Search**
CPC B43K 5/005; B43K 7/00; B43K 7/01;
B43K 7/10; B43K 8/02; B43K 8/022; B43K
8/024; B43K 8/026; B43K 8/028; B43K 8/03;
B43K 11/00; B43K 11/005; B43K 50/04;
B43K 2101/0038
USPC D14/411; D19/115–204; 401/52,
401/99–109, 192, 195, 196
See application file for complete search history.

5,960,802	A	*	10/1999	Sakai	132/320
D455,180	S	*	4/2002	Hasegawa	D19/57
D470,529	S	*	2/2003	Tu	D19/43
D476,363	S	*	6/2003	Hung	D19/43
6,639,791	B2	*	10/2003	Su	361/679.33
D482,727	S	*	11/2003	Hung	D19/43
D496,398	S	*	9/2004	Greenberg	D19/43
D516,923	S	*	3/2006	Moore	D9/682
D543,970	S	*	6/2007	Griffin	D14/484.1
D573,639	S	*	7/2008	Qiu et al.	D19/43
D585,298	S	*	1/2009	Yakoby	D9/688
D589,361	S	*	3/2009	Murata	D9/689
D597,133	S	*	7/2009	Hung	D19/41
D607,052	S	*	12/2009	Siegel	D19/43
D608,827	S	*	1/2010	Hung	D19/49
D642,621	S	*	8/2011	Keum et al.	D19/56
D661,192	S	*	6/2012	Hwang	D9/504
D667,873	S	*	9/2012	Shi	D19/41
D668,293	S	*	10/2012	Chen	D19/49
D691,480	S	*	10/2013	Shukla	D9/504
D721,283	S	*	1/2015	Lawrance	D9/689
2011/0158738	A1	*	6/2011	Bainbridge et al.	401/206
2012/0009005	A1	*	1/2012	Czubarow et al.	401/198

* cited by examiner

Primary Examiner — Elizabeth Albert

(57) **CLAIM**

The ornamental design for a pen, as shown and described.

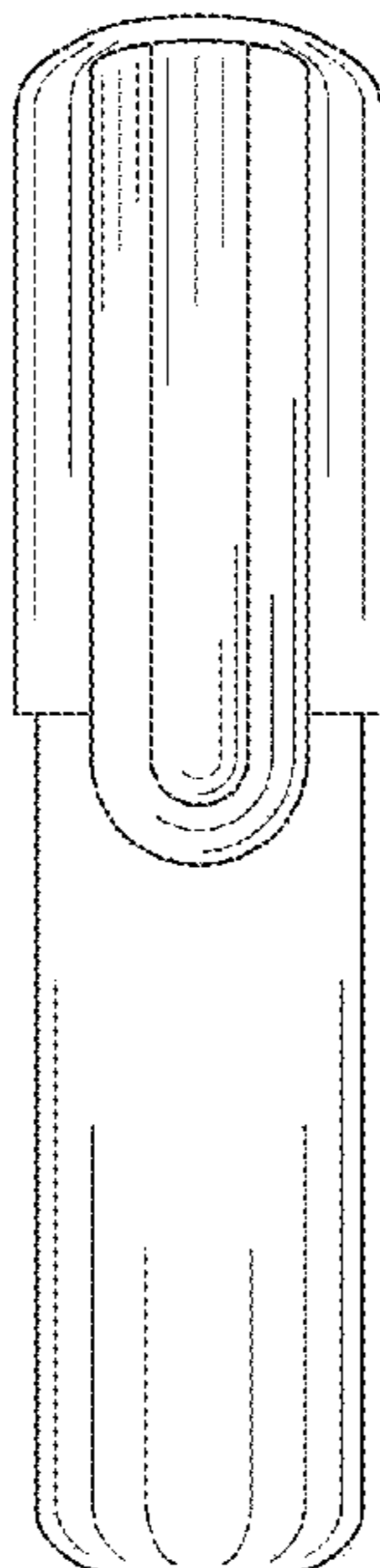
DESCRIPTION

FIG. 1 is a front elevational view of a pen showing my new design;
 FIG. 2 is a rear elevational view thereof;
 FIG. 3 is a left side view thereof;
 FIG. 4 is a right side view thereof;
 FIG. 5 is a top plan view thereof;
 FIG. 6 is a bottom plan view thereof;
 FIG. 7 is a perspective thereof; and,
 FIG. 8 is a perspective view of the pen with its cap detached.

1 Claim, 3 Drawing Sheets

(56) **References Cited**
 U.S. PATENT DOCUMENTS

D261,105	S	*	10/1981	Schwartz	D9/504
D284,252	S	*	6/1986	Lichtenvort	D7/679
D302,384	S	*	7/1989	Holewinski	D9/529
D325,931	S	*	5/1992	Sekiguchi	D19/43
D329,253	S	*	9/1992	Sekiguchi	D19/43
D340,947	S	*	11/1993	Tu	D19/43
D355,442	S	*	2/1995	Chuang	D19/53
D394,876	S	*	6/1998	Chuang	D19/53
D403,706	S	*	1/1999	Fukami	D19/51
D403,965	S	*	1/1999	Bright et al.	D9/503



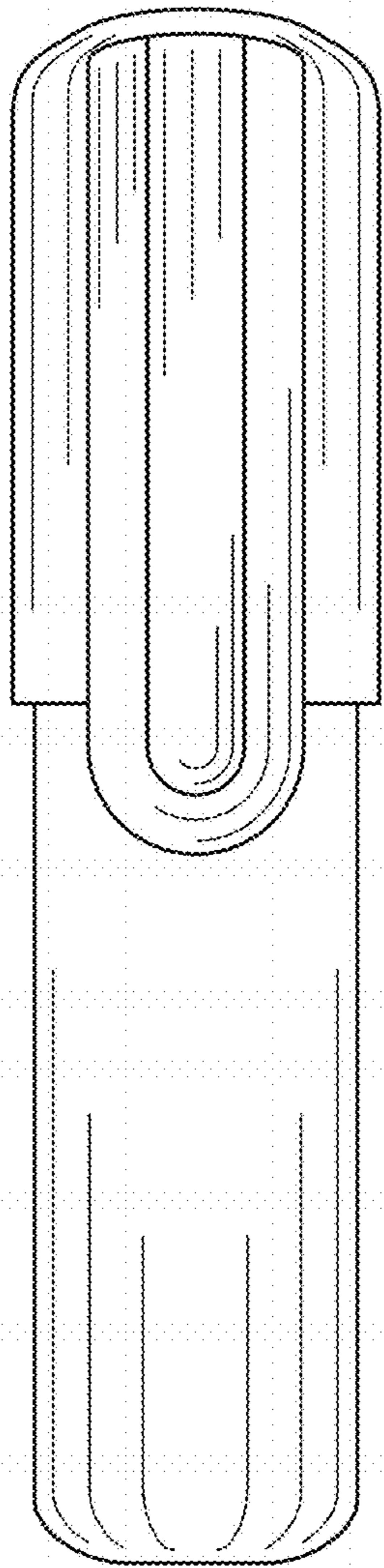


FIG. 1

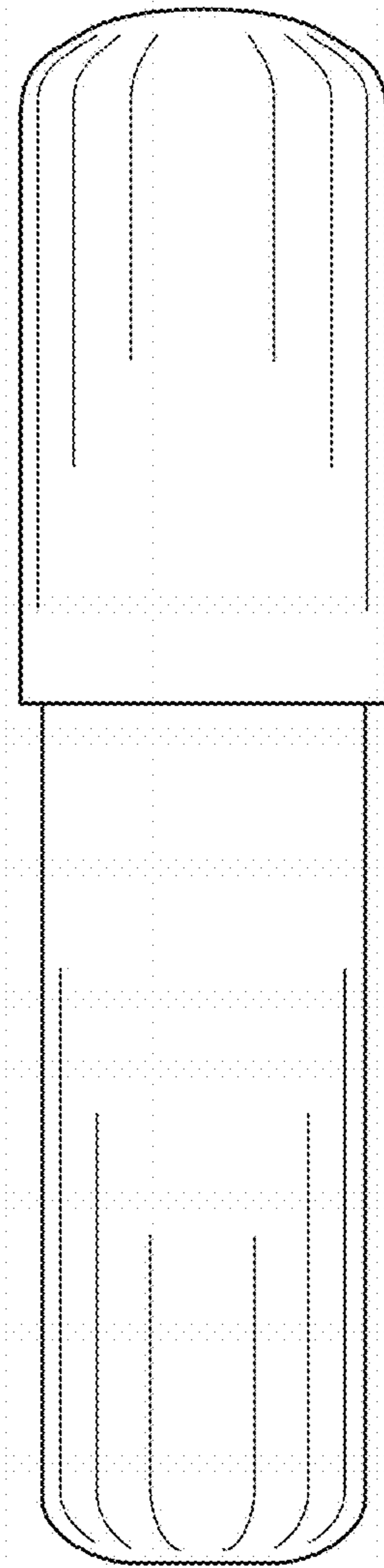


FIG. 2

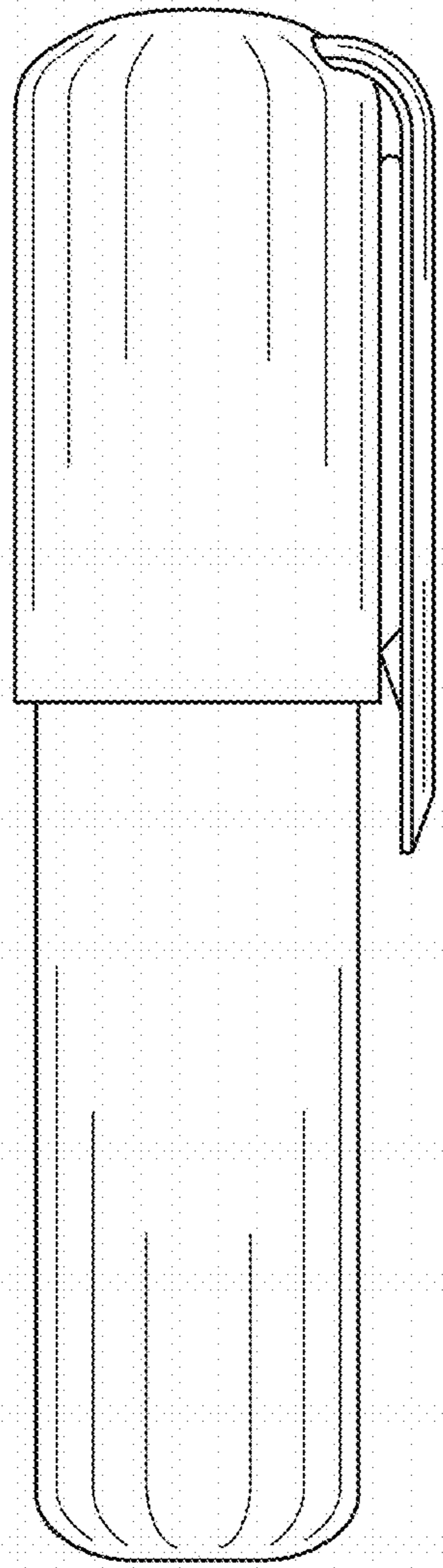


FIG. 3

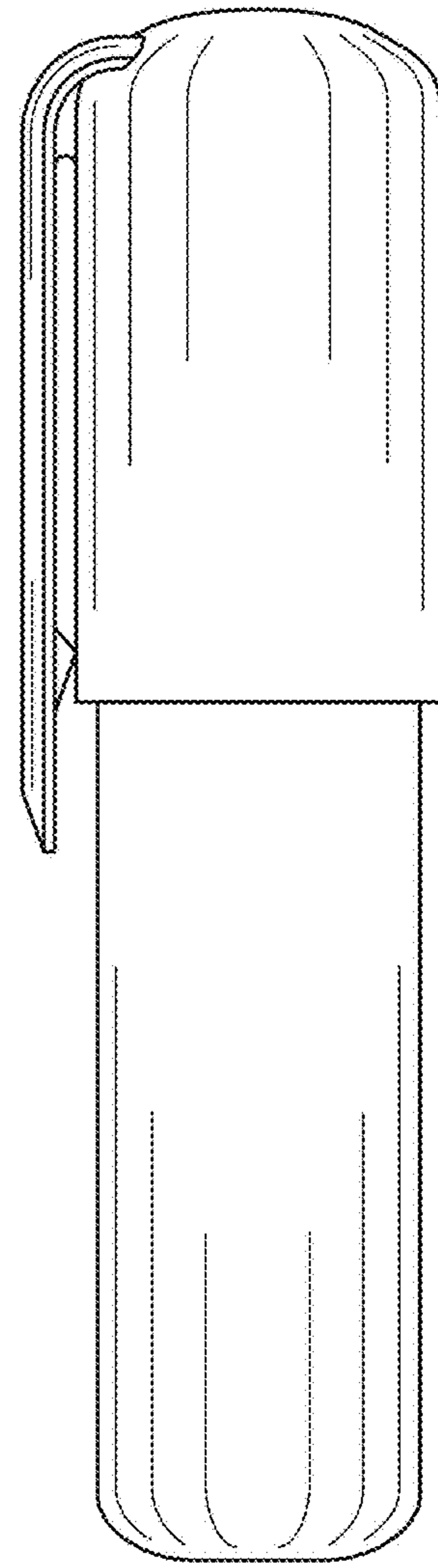


FIG. 4

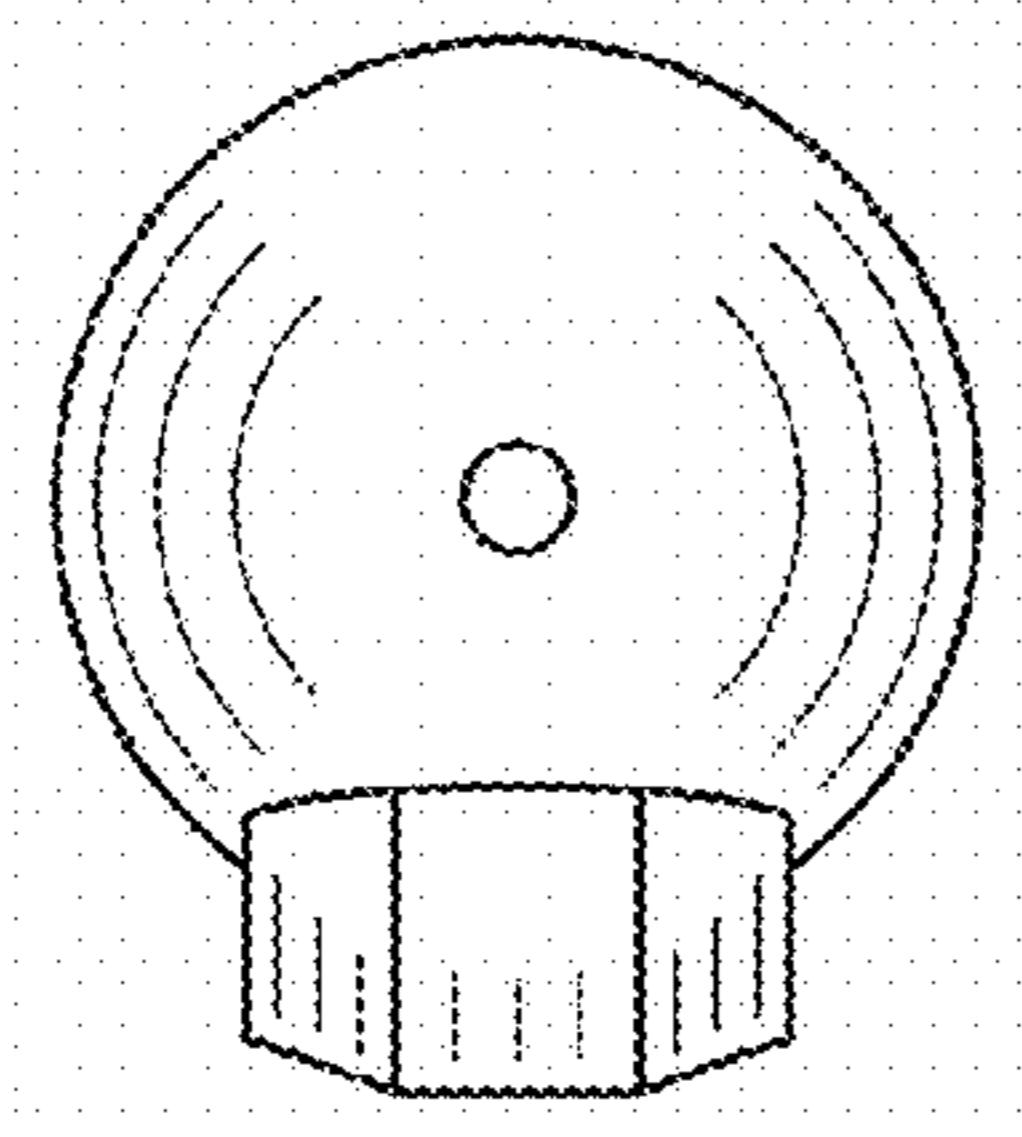


FIG. 5

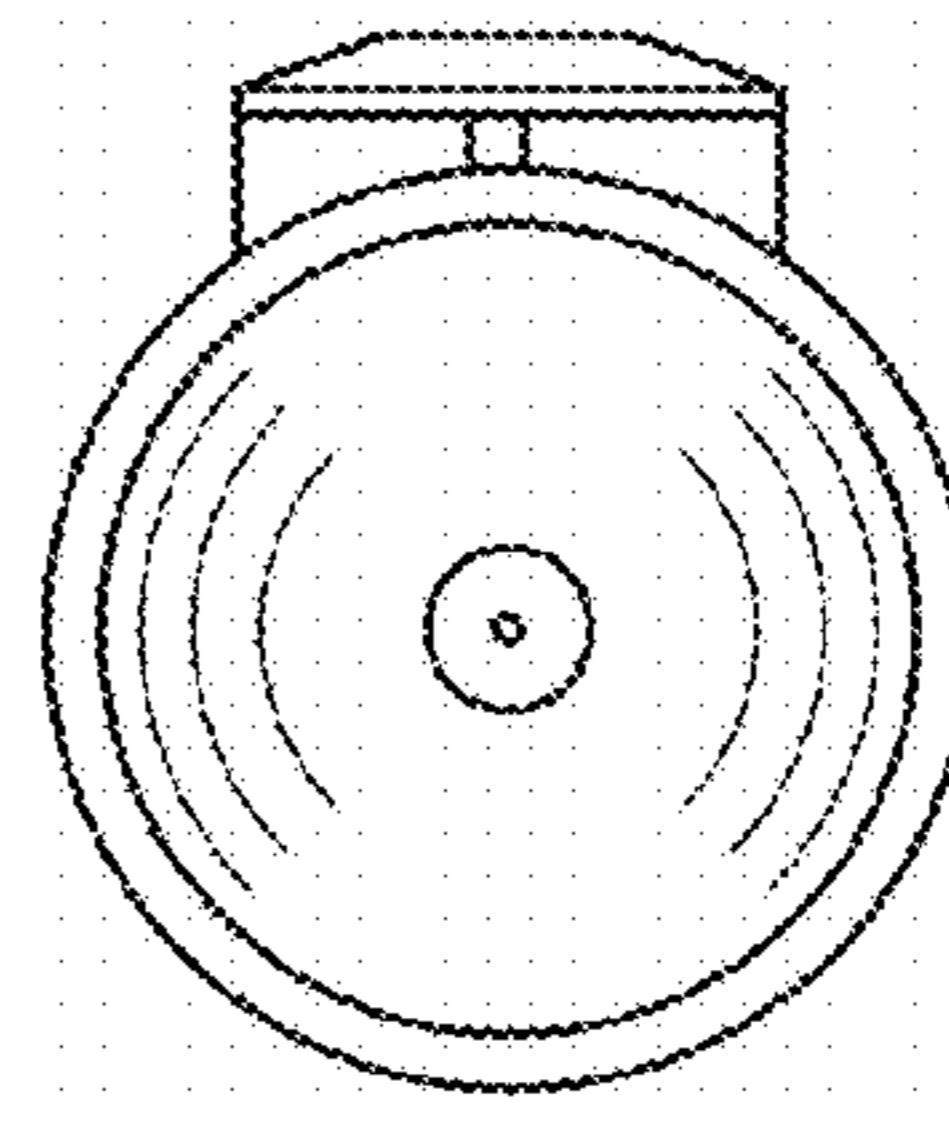


FIG. 6

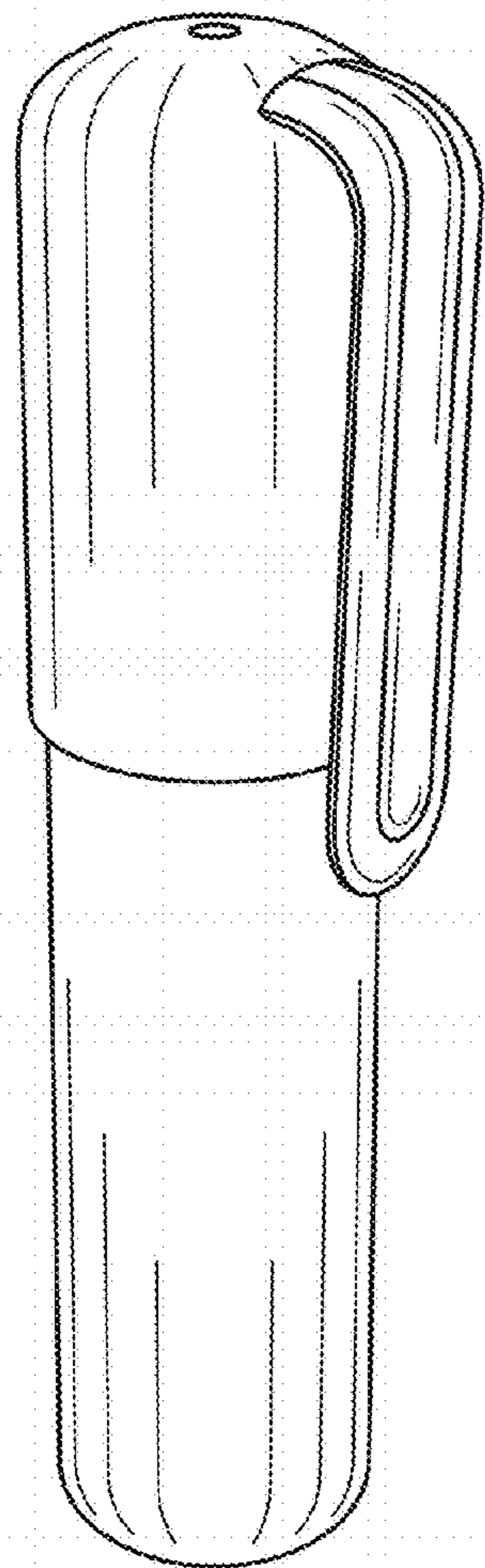


FIG. 7

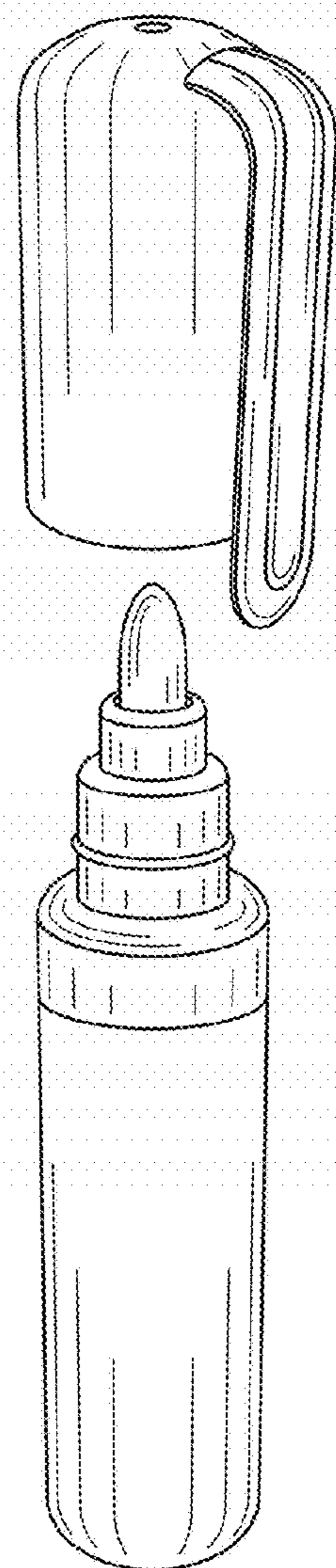


FIG. 8