



US00D728677S

(12) **United States Design Patent**
Kawasaki et al.

(10) **Patent No.:** **US D728,677 S**
(45) **Date of Patent:** **** May 5, 2015**

(54) **PRINTER**

(71) Applicant: **Seiko Epson Corporation**, Tokyo (JP)

(72) Inventors: **Koji Kawasaki**, Matsumoto (JP);
Tomohisa Kano, Shiojiri (JP); **Takaaki Inui**, Matsumoto (JP); **Hiroto Miyauchi**, Matsumoto (JP)

(73) Assignee: **Seiko Epson Corporation**, Tokyo (JP)

(**) Term: **14 Years**

(21) Appl. No.: **29/468,027**

(22) Filed: **Sep. 26, 2013**

(30) **Foreign Application Priority Data**

Apr. 12, 2013 (JP) 2013-008266

(51) **LOC (10) Cl.** **14-02**

(52) **U.S. Cl.**
USPC **D18/50**

(58) **Field of Classification Search**
USPC D18/50, 54, 54.1, 55, 14, 19; 400/613,
400/613.1-613.4, 690.1-694
See application file for complete search history.

(56) **References Cited**

U.S. PATENT DOCUMENTS

D253,134 S * 10/1979 DiBenedetto D18/55

D369,177 S * 4/1996 Kasai et al. D18/54
5,707,162 A * 1/1998 Kasai et al. 400/692
D523,072 S * 6/2006 Lee et al. D18/50
D527,416 S * 8/2006 Hattori D18/54
7,914,219 B2 * 3/2011 Harris 400/693
D640,735 S * 6/2011 Kimura et al. D18/50
D641,039 S * 7/2011 Kimura et al. D18/55

* cited by examiner

Primary Examiner — Cathy A MacCormac

(57) **CLAIM**

The ornamental design for a printer, as shown and described.

DESCRIPTION

FIG. 1 is a front, top and right side perspective view of a printer showing our new design;
FIG. 2 is a rear, top and left side perspective view thereof;
FIG. 3 is a front view thereof;
FIG. 4 is a rear view thereof;
FIG. 5 is a top plan view thereof;
FIG. 6 is a bottom plan view thereof;
FIG. 7 is a right side view thereof; and,
FIG. 8 is a left side view thereof.

The features shown in broken lines in the drawings depict environmental subject matter only and form no part of the claimed design.

1 Claim, 8 Drawing Sheets

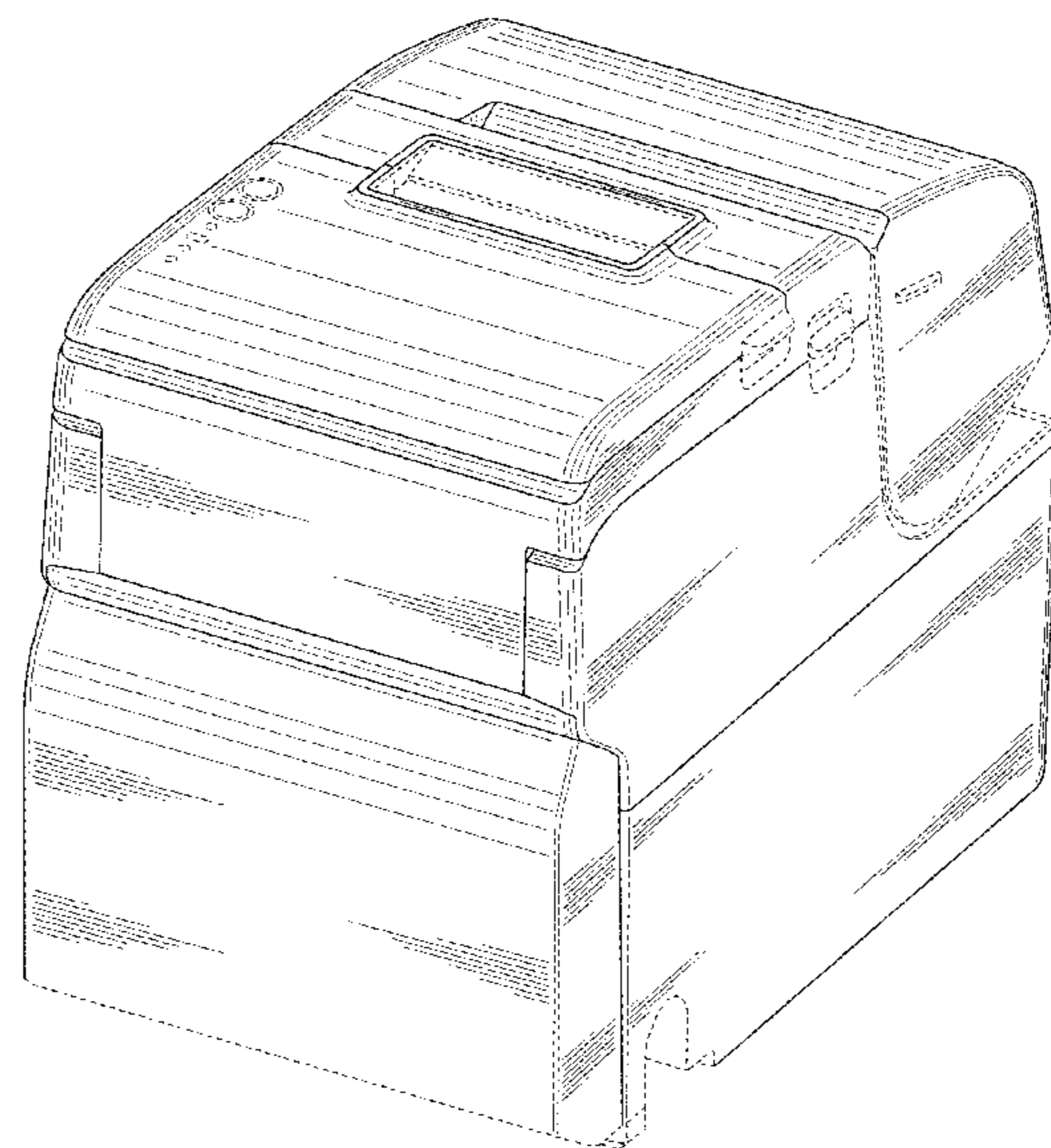
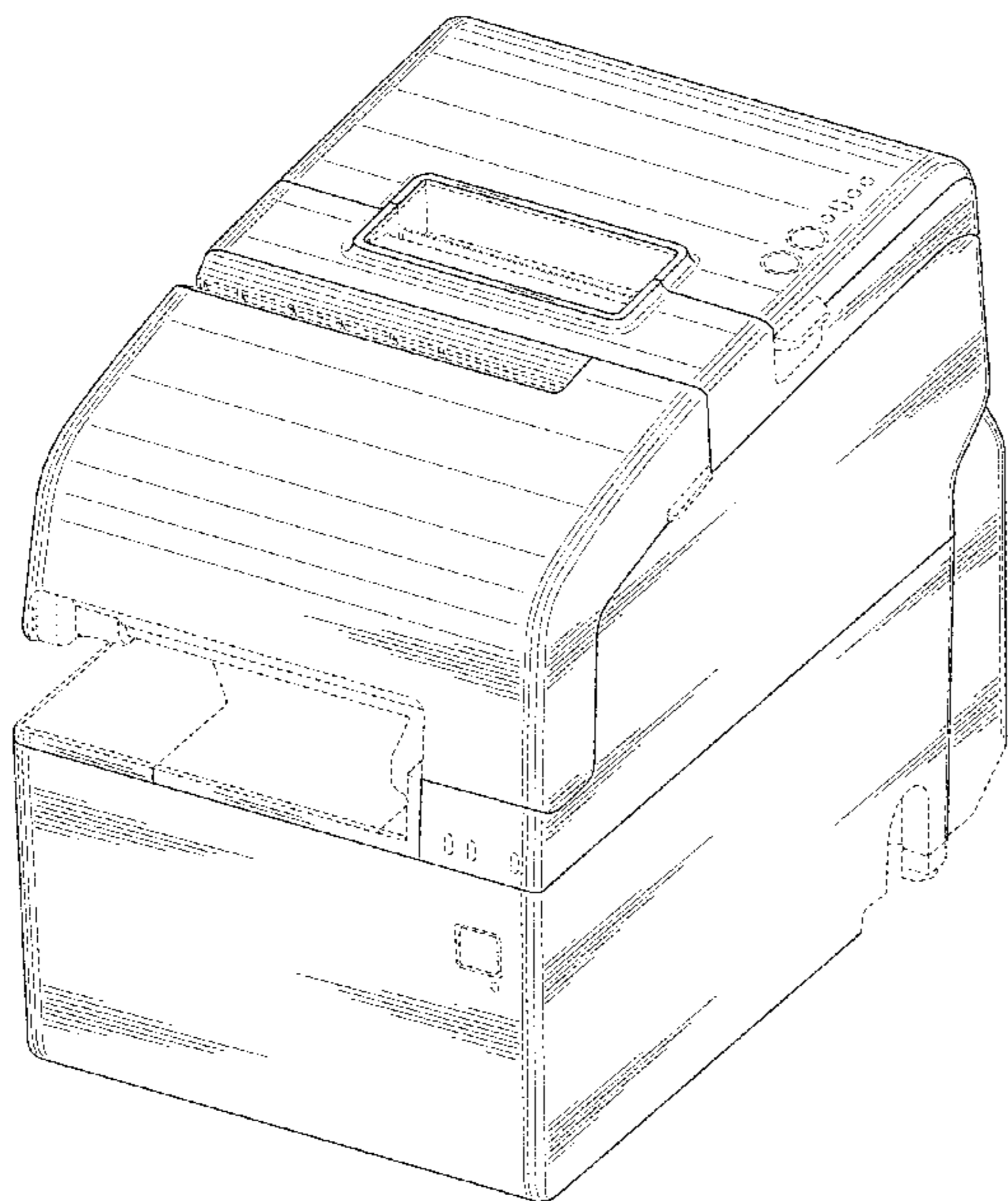


FIG. 1

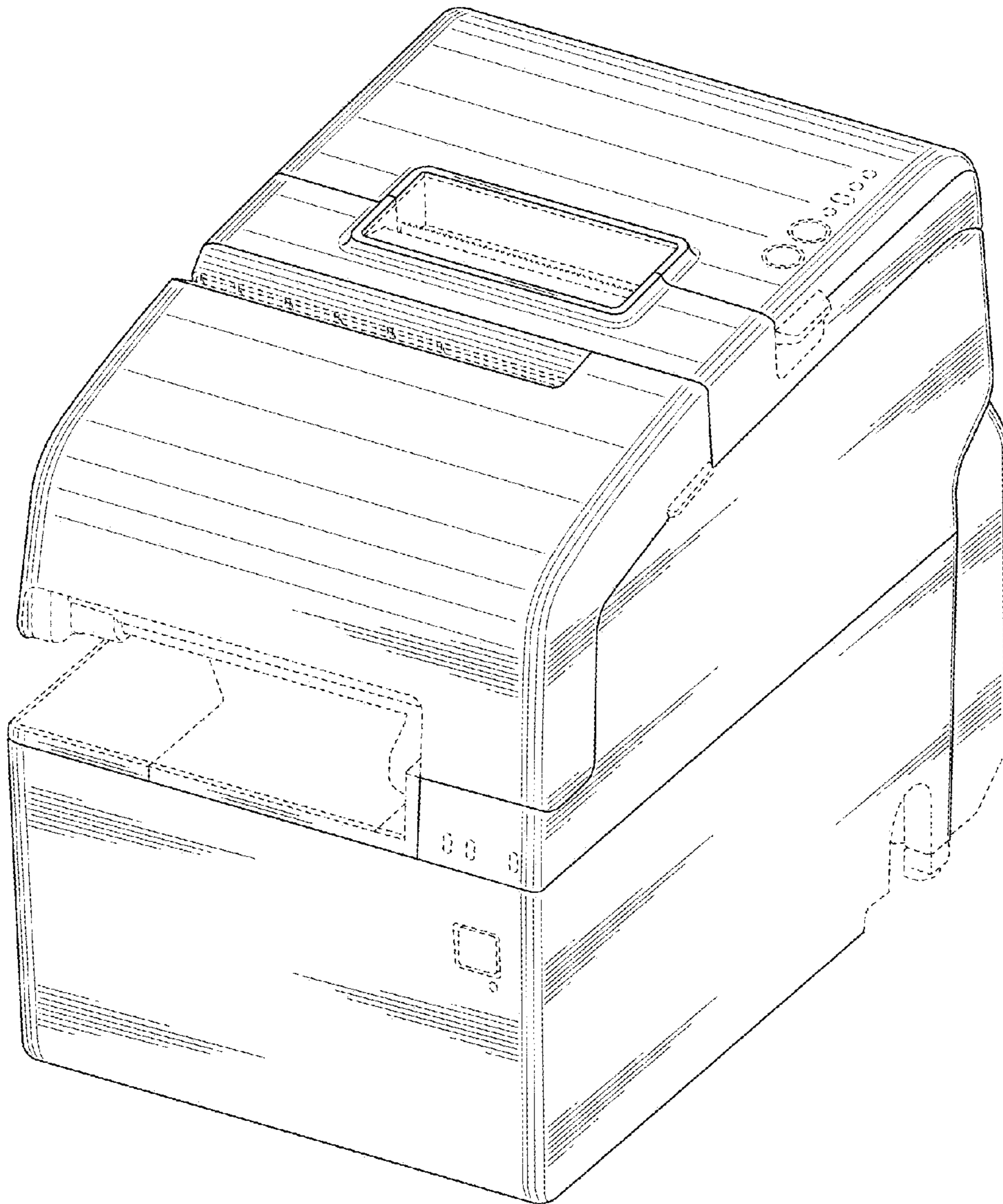


FIG. 2

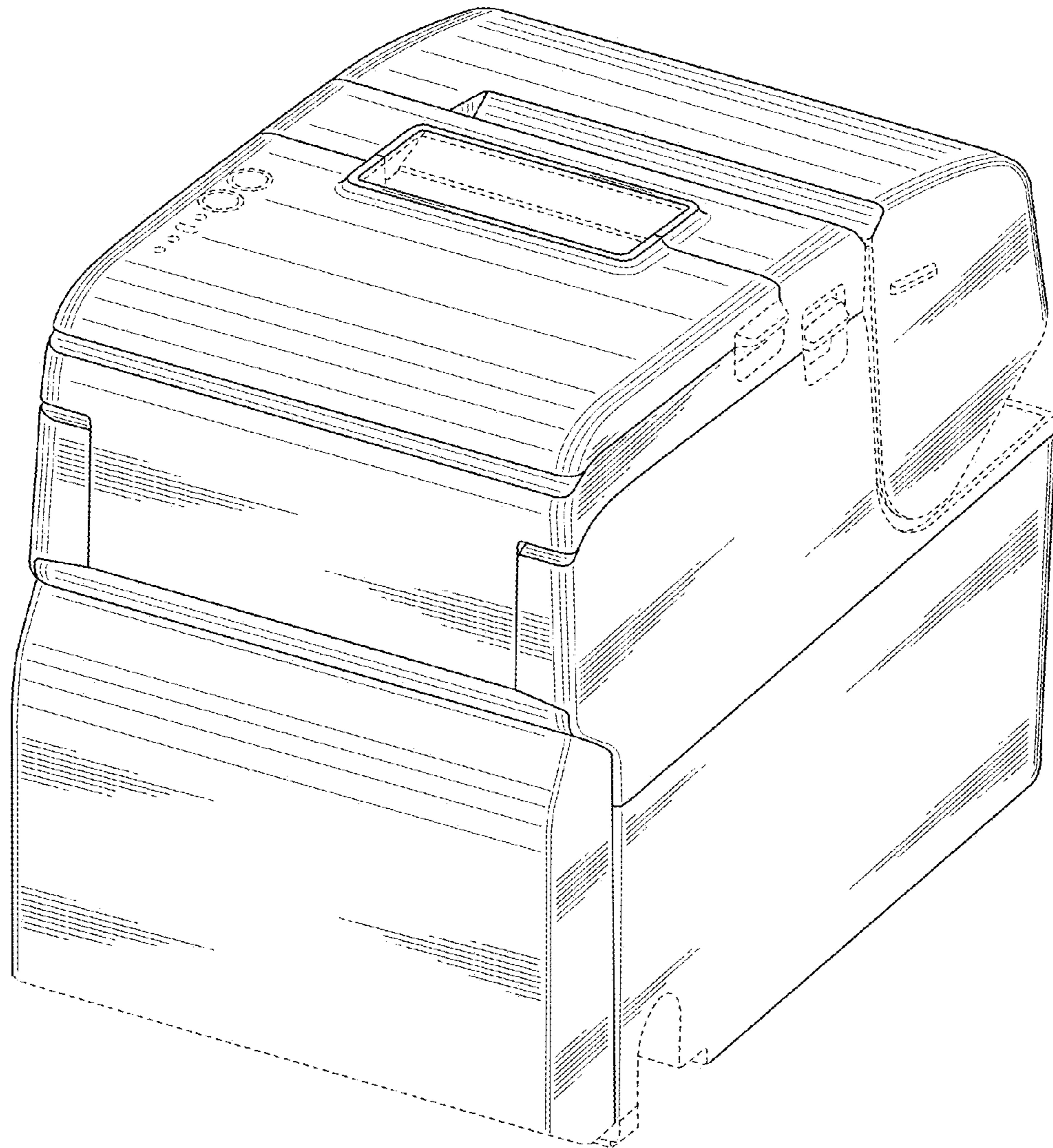


FIG. 3

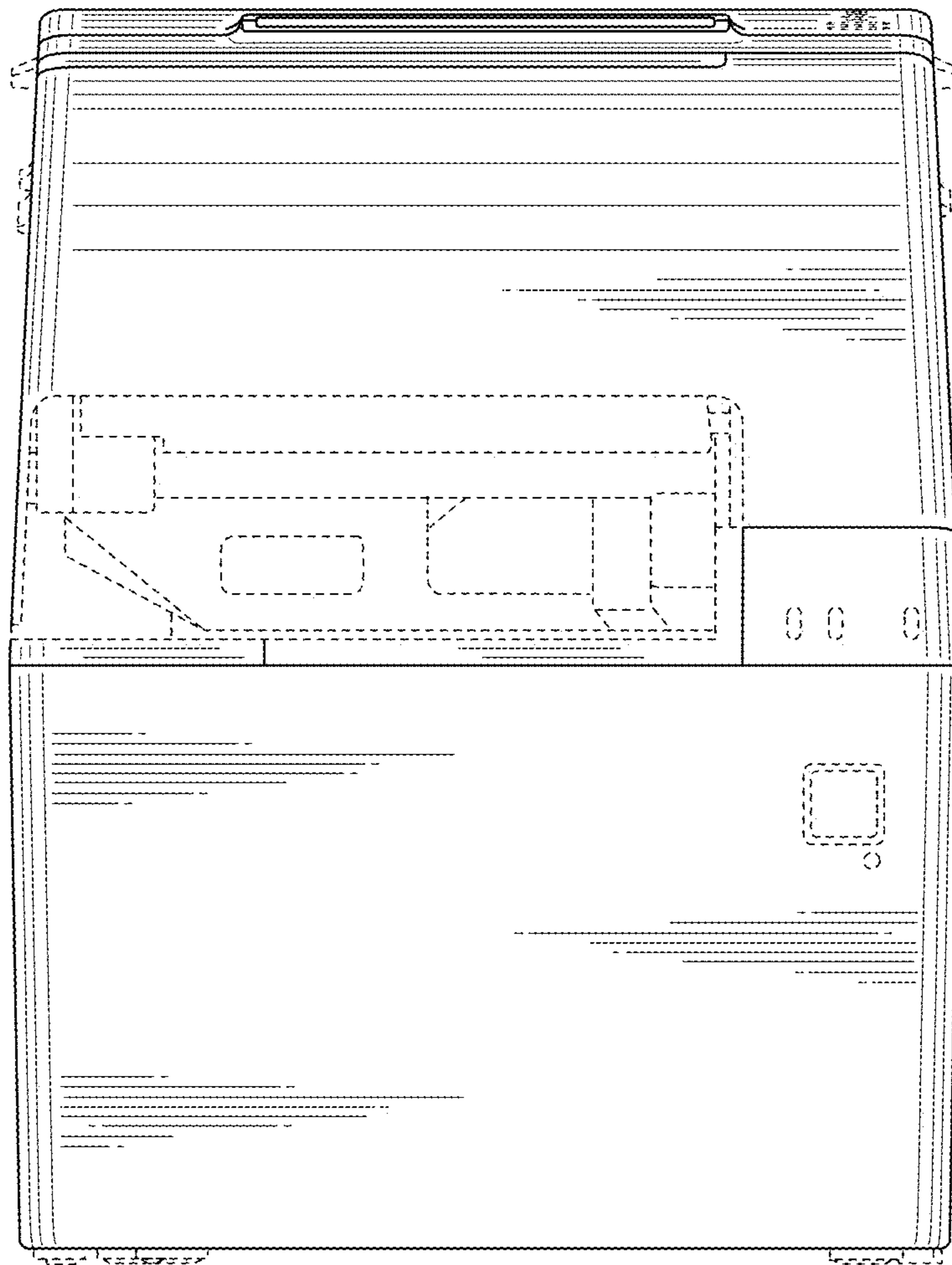


FIG. 4

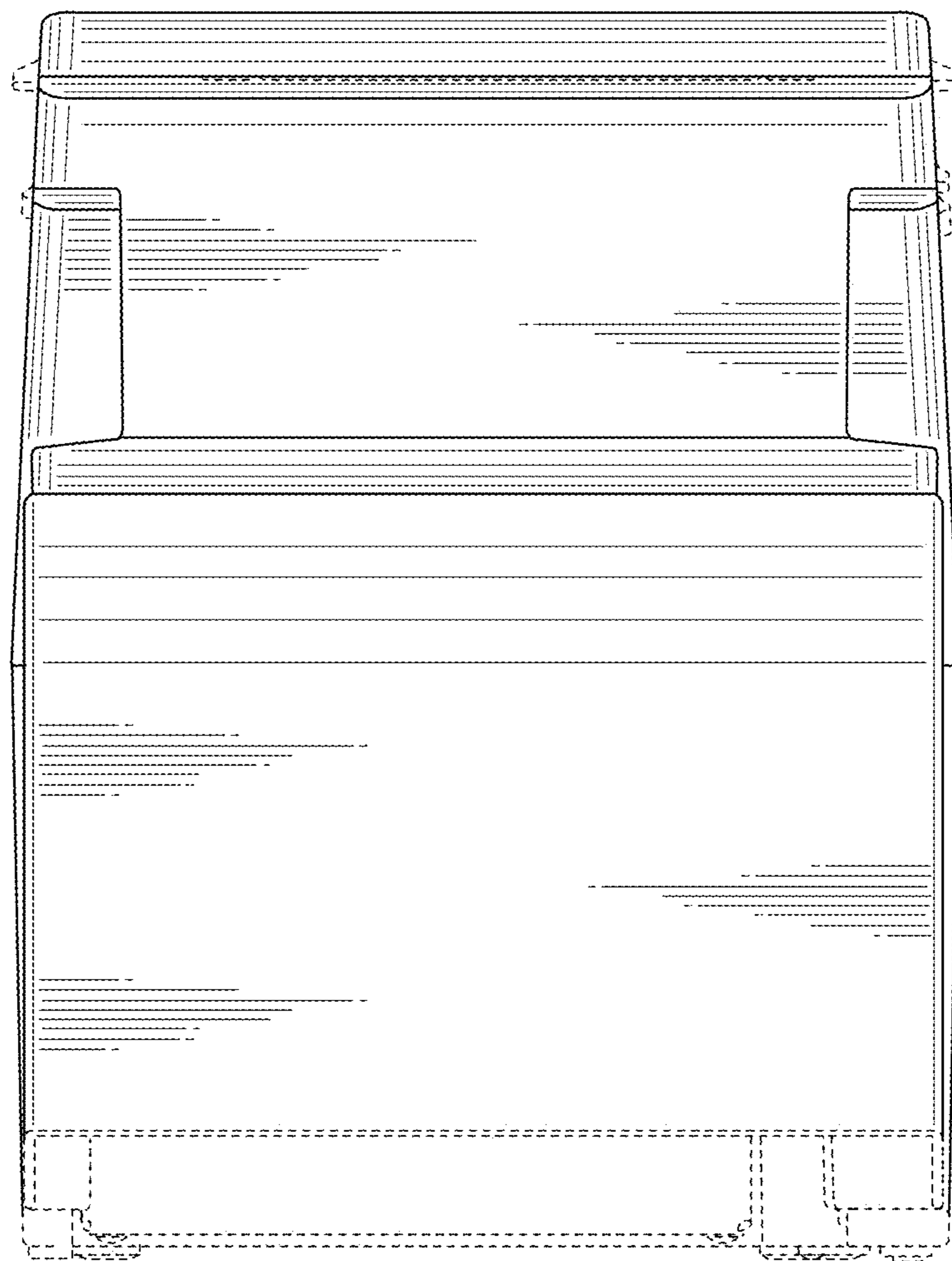


FIG. 5

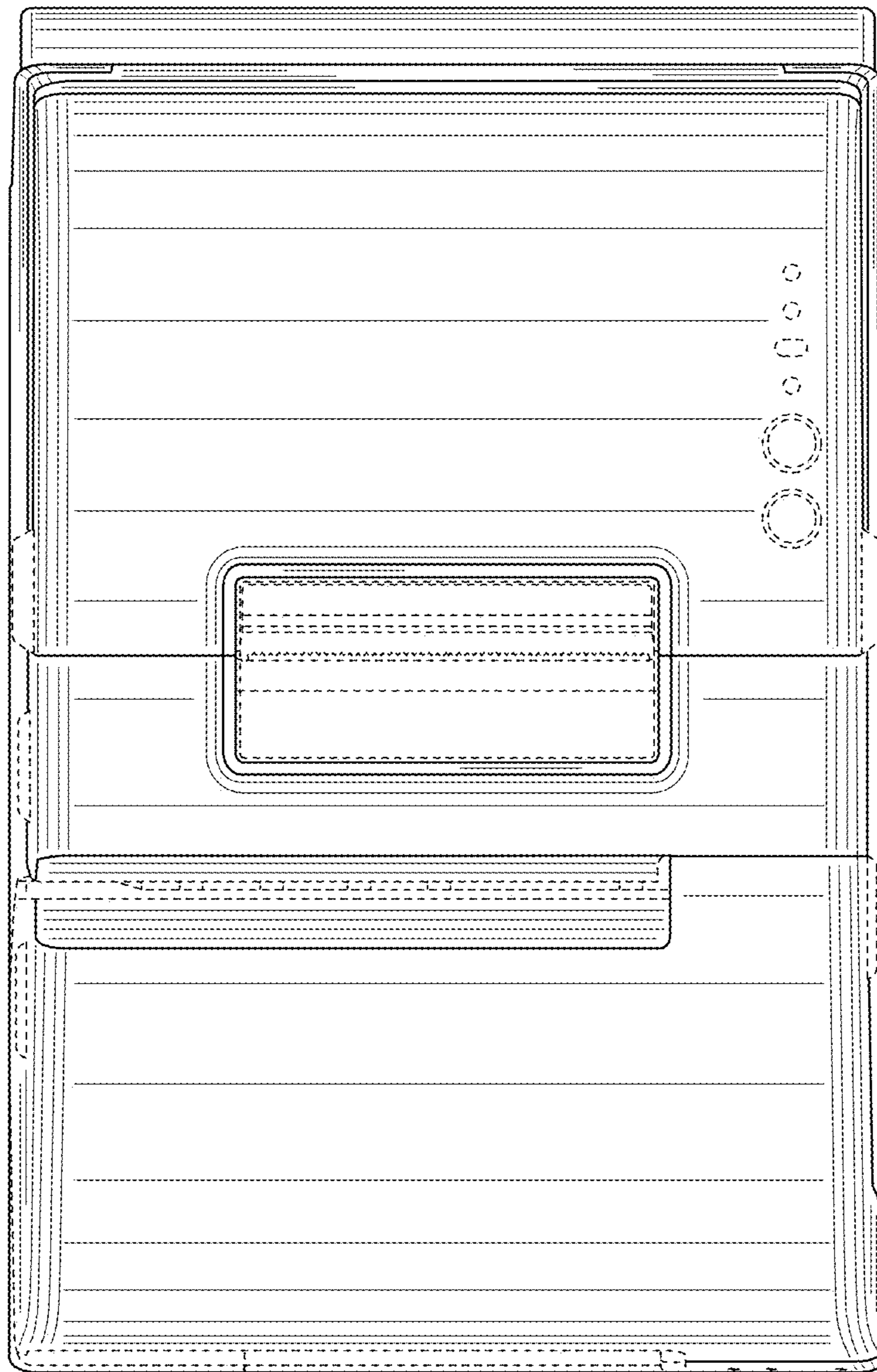


FIG. 6

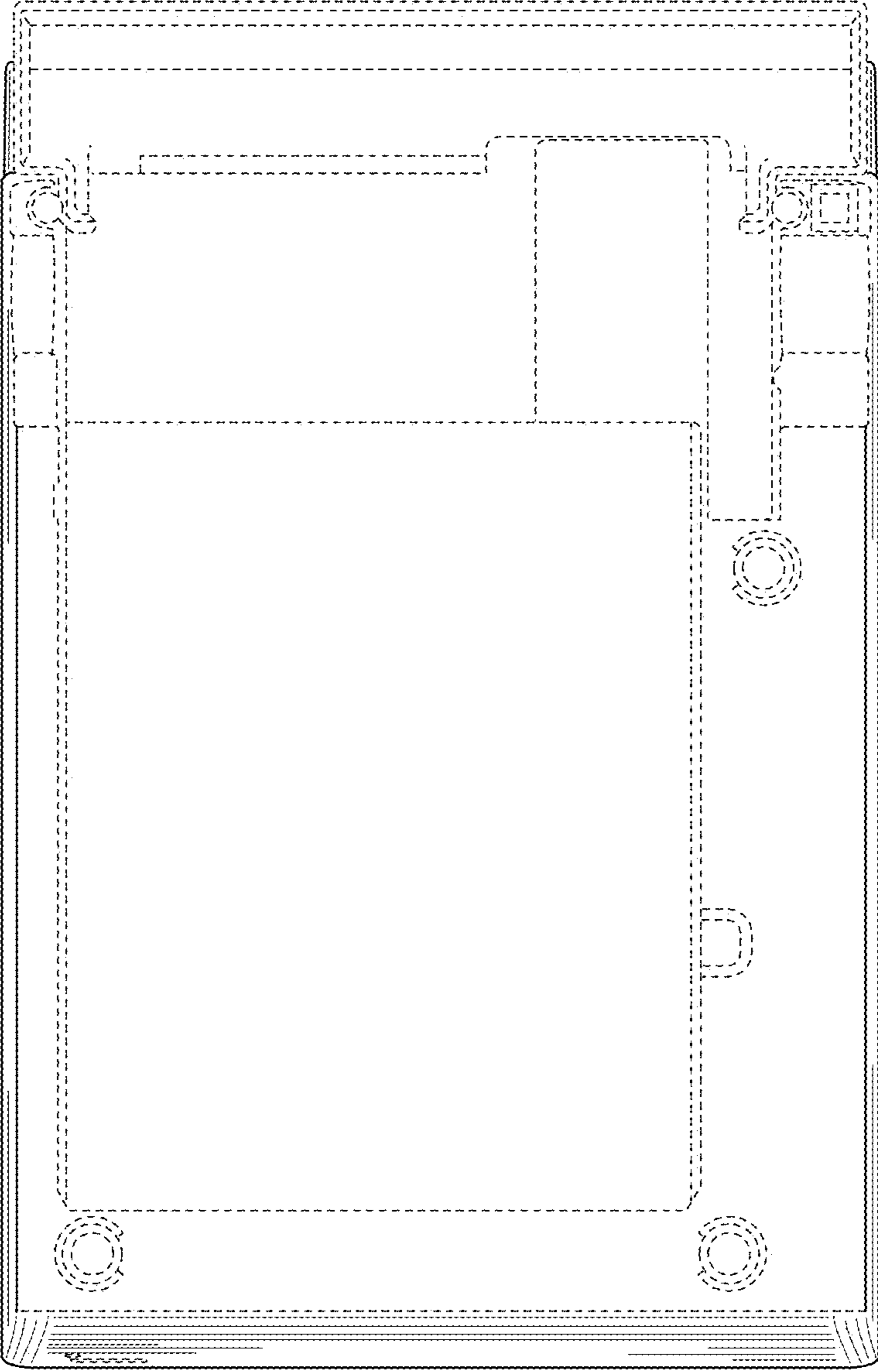


FIG. 7

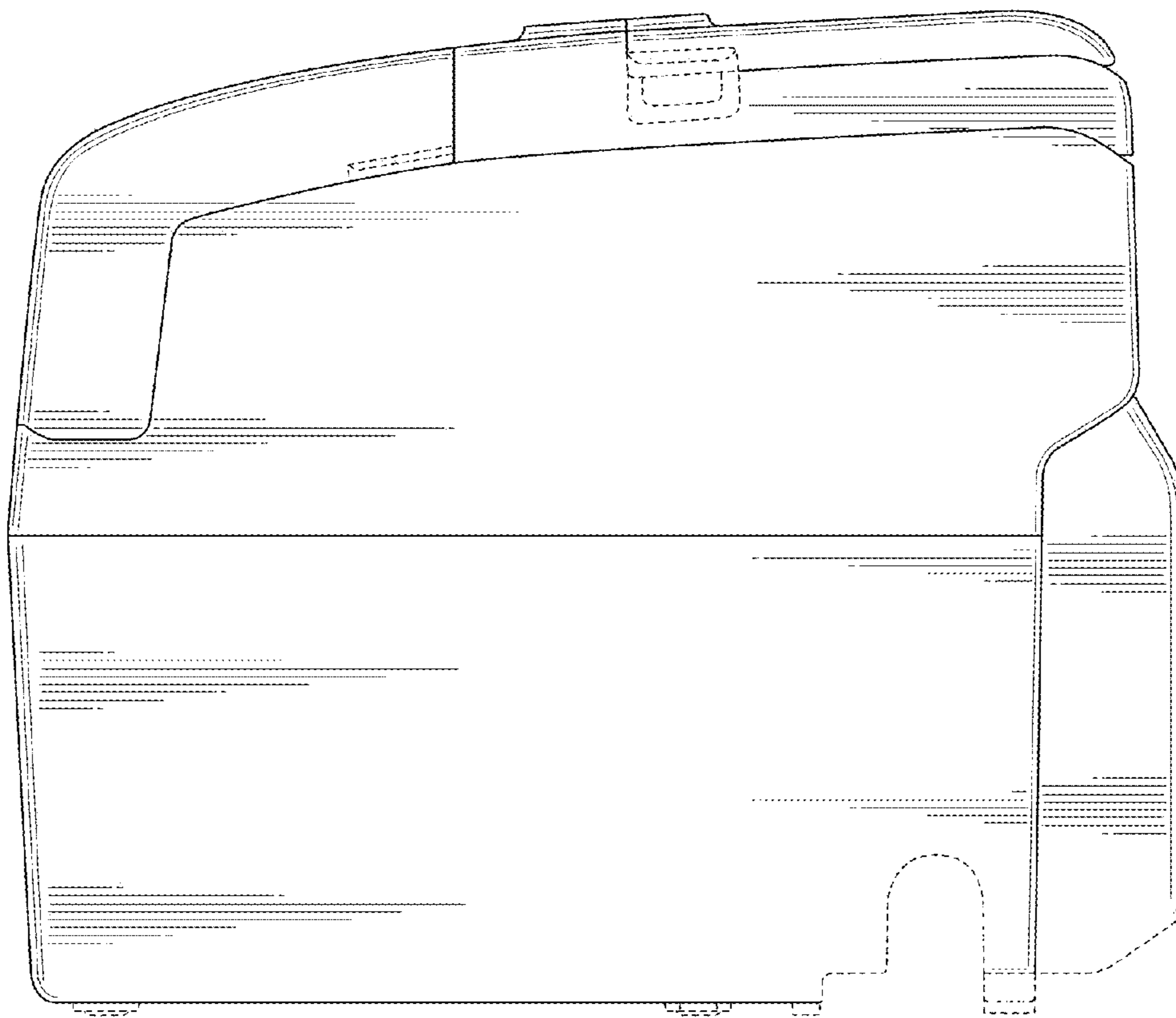


FIG. 8

