

US00D728676S

(12) **United States Design Patent**  
**Reines et al.**

(10) **Patent No.:** **US D728,676 S**

(45) **Date of Patent:** **\*\* May 5, 2015**

(54) **VOTING TERMINAL**

(56) **References Cited**

(71) Applicant: **Everyone Counts, Inc.**, San Diego, CA (US)

U.S. PATENT DOCUMENTS

(72) Inventors: **Craig H. Reines**, San Diego, CA (US);  
**Michael L. Joyce**, San Diego, CA (US);  
**Eric J. Joyce**, San Diego, CA (US)

D286,788 S *	11/1986	Koppens .....	D18/12.3
D303,111 S *	8/1989	Paley .....	D14/374
D305,647 S *	1/1990	Kato et al. ....	D14/374
D319,459 S *	8/1991	Bleck et al. ....	D18/6
D346,286 S *	4/1994	Caponigro et al. ....	D6/419
5,918,841 A *	7/1999	Sweere et al. ....	248/123.11
D417,692 S *	12/1999	Mizusugi et al. ....	D18/12.3
D425,036 S *	5/2000	Copus et al. ....	D14/375
D429,227 S *	8/2000	Shimizu .....	D14/126
D495,370 S *	8/2004	Loerop et al. ....	D20/10
D521,051 S *	5/2006	Magee et al. ....	D18/6
D537,469 S *	2/2007	Magee et al. ....	D18/6
D556,700 S *	12/2007	Igarashi .....	D13/168
7,949,567 B2 *	5/2011	Lum .....	705/17
D644,223 S *	8/2011	Maupin .....	D14/371
2003/0058372 A1 *	3/2003	Williams et al. ....	348/836

(73) Assignee: **Everyone Counts, Inc.**, San Diego, CA (US)

(\*\*) Term: **14 Years**

(21) Appl. No.: **29/446,863**

(22) Filed: **Feb. 27, 2013**

\* cited by examiner

**Related U.S. Application Data**

(63) Continuation-in-part of application No. 29/430,667, filed on Aug. 28, 2012, now abandoned.

(51) **LOC (10) Cl.** ..... **18-01**

(52) **U.S. Cl.**  
USPC ..... **D18/6**

(58) **Field of Classification Search**  
CPC ..... G07C 13/00; B42D 15/00  
USPC ..... D14/218, 336, 341-347, 371-376, 387;  
D18/1-12, 12.1-12.3; D21/324, 325,  
D21/332, 512; D99/28, 34-36, 43; 235/1 E,  
235/2, 7 R, 12, 22, 33, 52, 58 R, 59 A,  
235/59 BC-59 BH, 59 CP, 59 T, 59 TP, 61 R;  
705/12, 15-18, 43; 708/100, 105, 130;  
D16/242, 244, 245; 248/162.1, 166,  
248/168, 169-171, 187.1, 188.6

See application file for complete search history.

*Primary Examiner* — Carla Jobe Wright

*Assistant Examiner* — Holly E Thurman

(74) *Attorney, Agent, or Firm* — Mintz Levin Cohn Ferris Glovsky and Popeo, P.C.

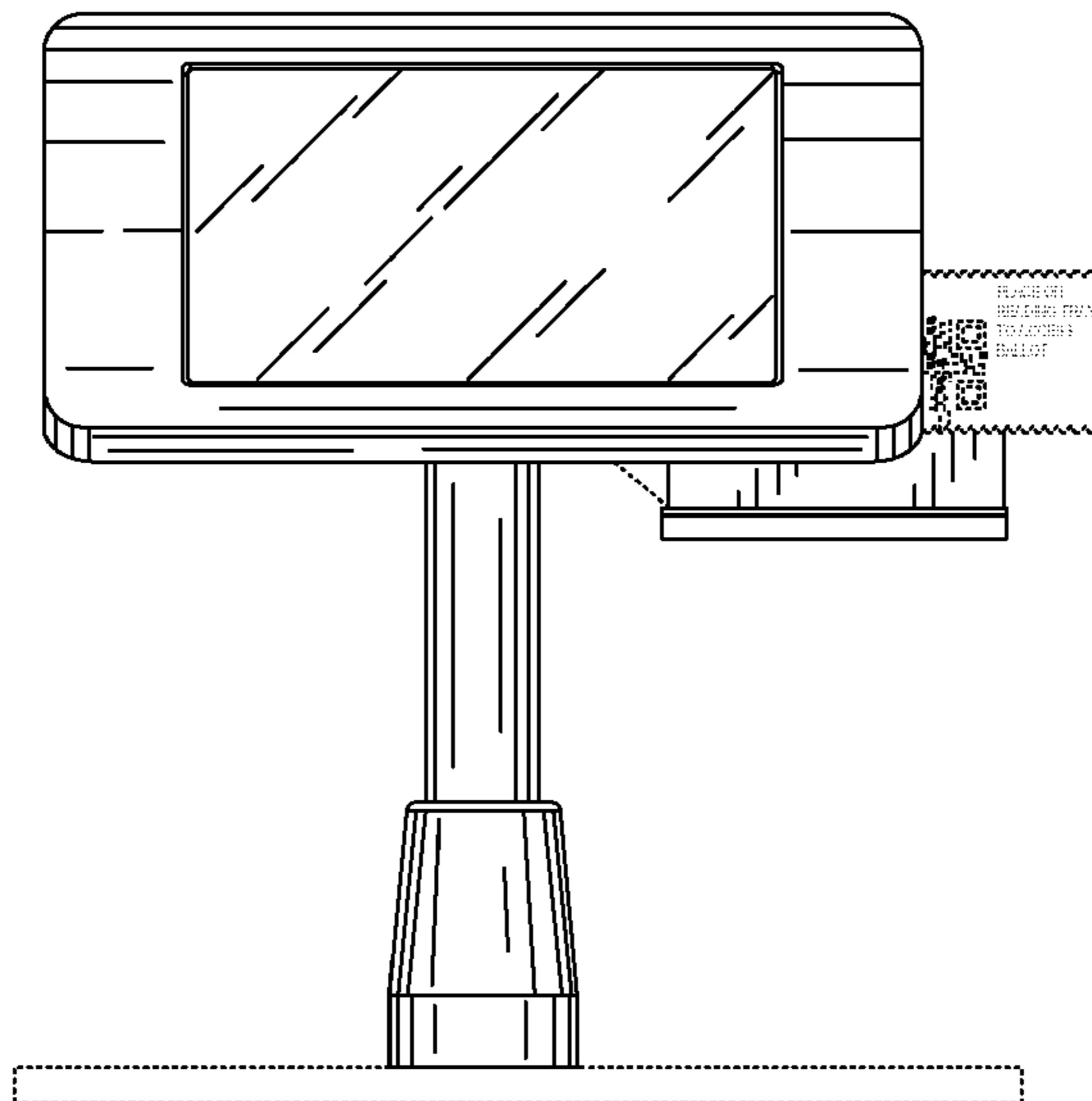
(57) **CLAIM**

The ornamental design for a voting terminal, as shown and described.

**DESCRIPTION**

FIG. 1 shows a front elevation view of a voting terminal incorporating the new, original and ornamental design; FIG. 2 shows a rear elevation view of a voting terminal incorporating the new, original and ornamental design; FIG. 3 shows a right side elevation view of a voting terminal incorporating the new, original and ornamental design; and, FIG. 4 shows a left side elevation view of a voting terminal incorporating the new, original and ornamental design. The broken lines in the figures depict unclaimed environment and unclaimed portions of the voting terminal.

**1 Claim, 4 Drawing Sheets**



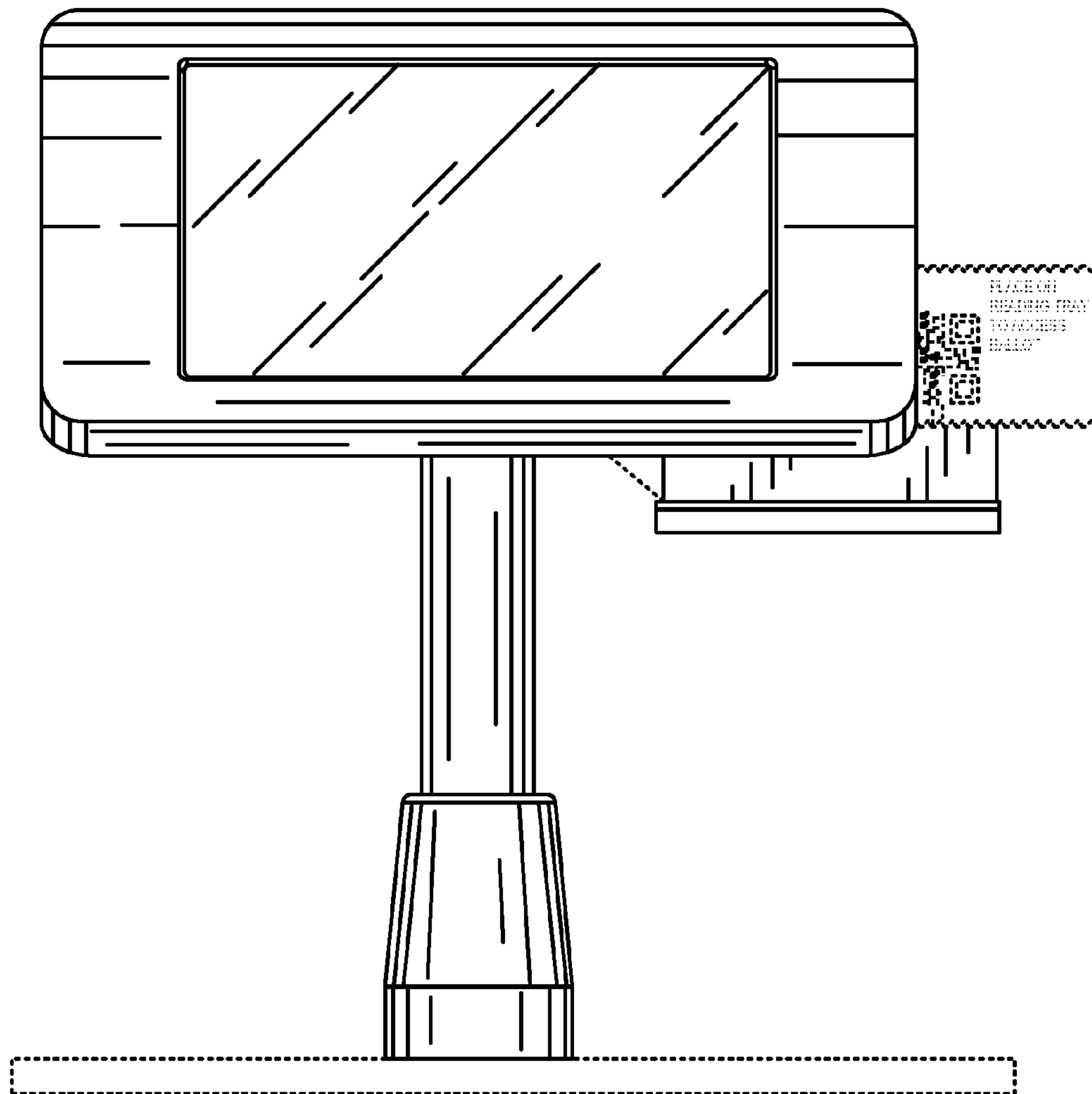


FIG. 1

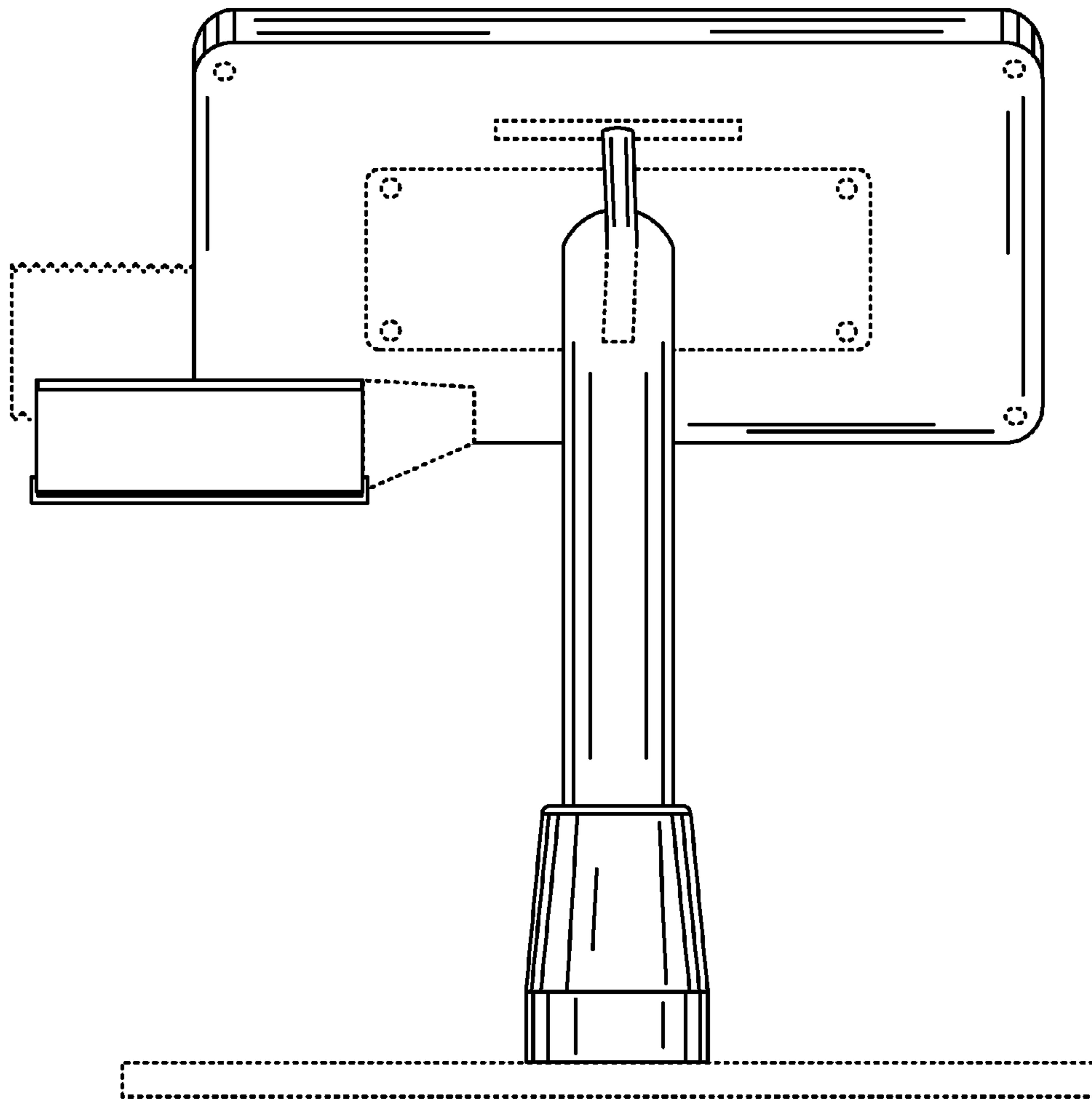


FIG. 2

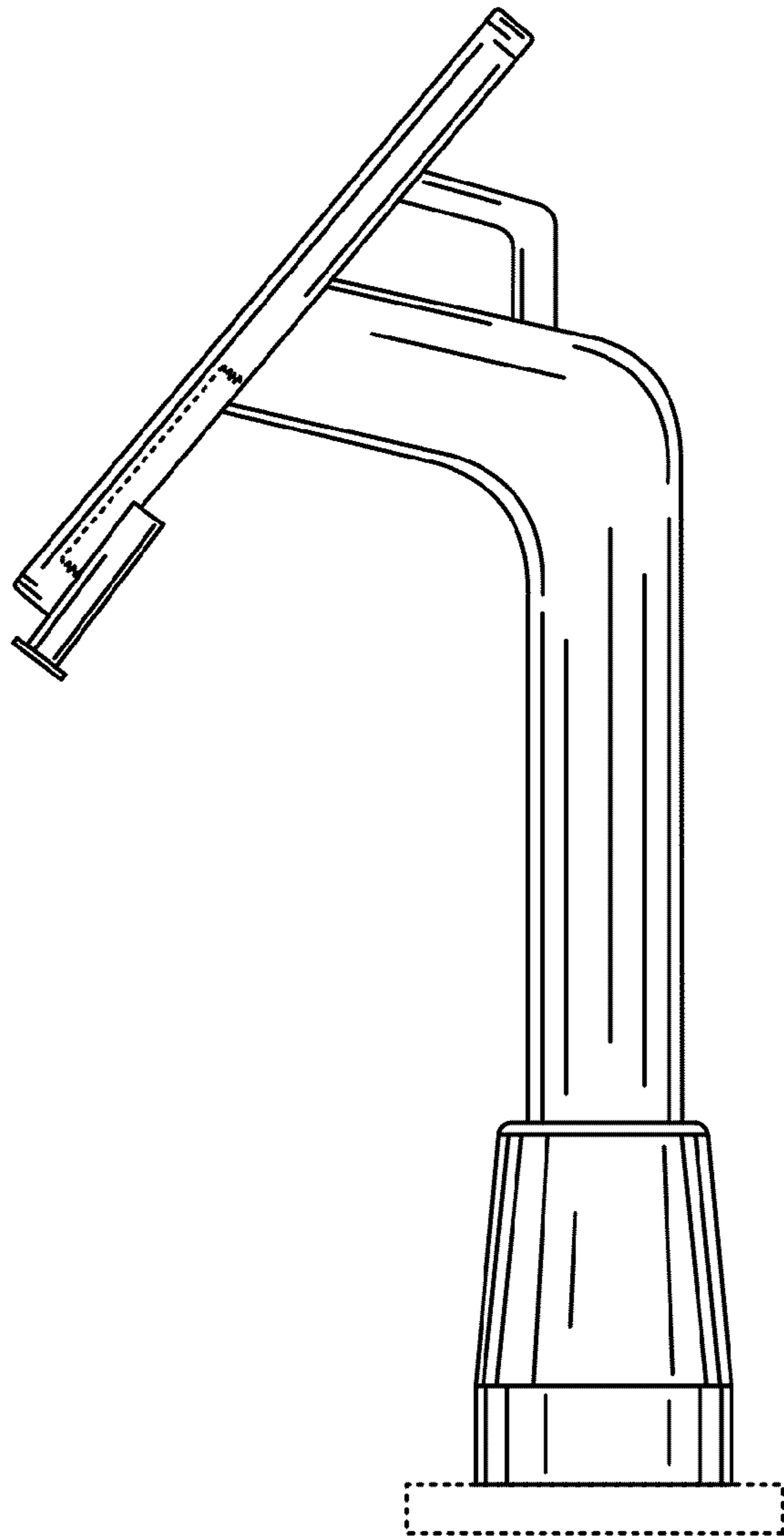


FIG. 3

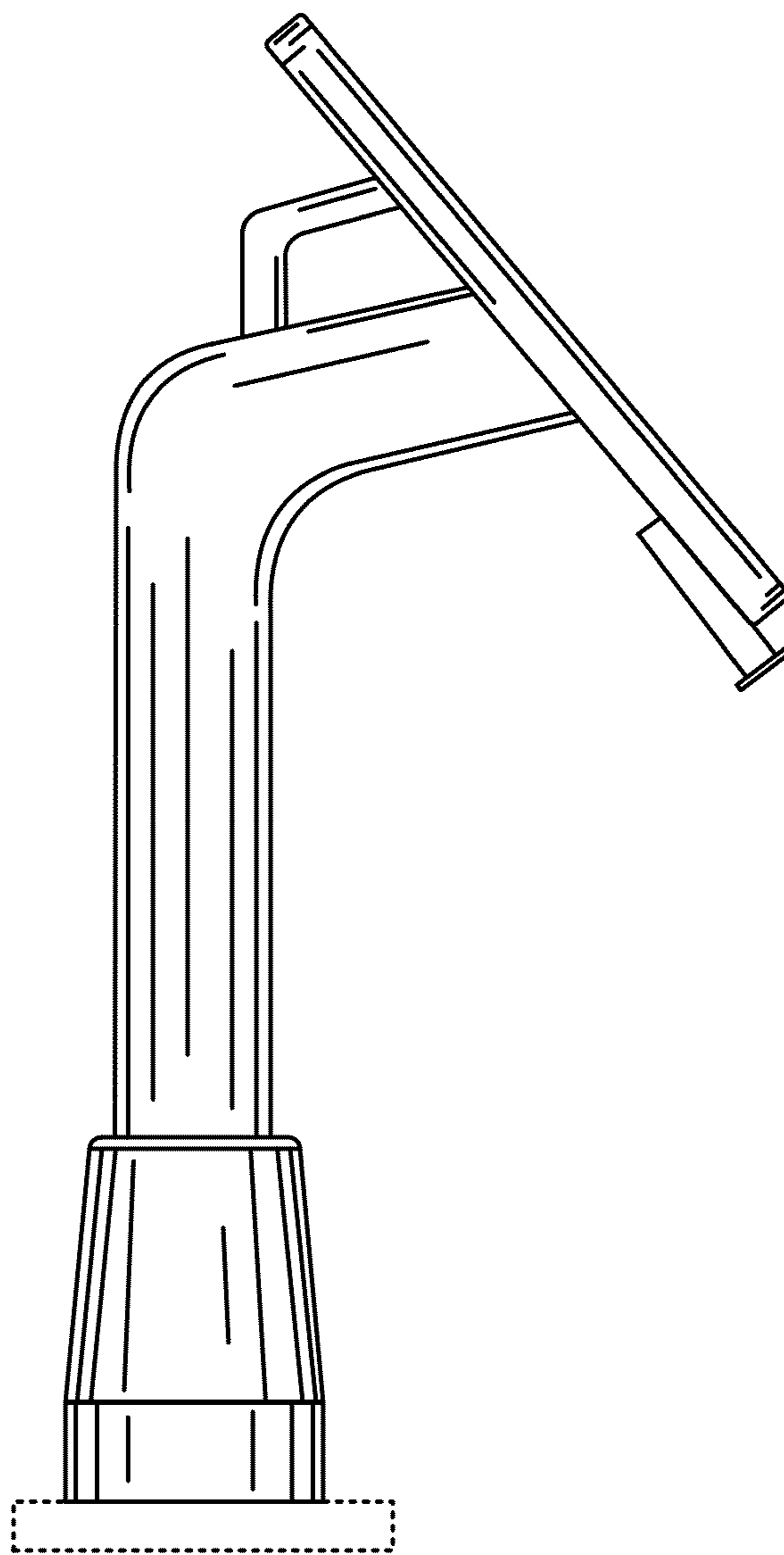


FIG. 4