

US00D728675S

(12) **United States Design Patent**
Daniel

(10) **Patent No.:** **US D728,675 S**
(45) **Date of Patent:** **** May 5, 2015**

(54) **PAYMENT CARD READER WITH BIOMETRIC VERIFICATION MEANS**

(71) Applicant: **Isaac S. Daniel**, Miramar, FL (US)

(72) Inventor: **Isaac S. Daniel**, Miramar, FL (US)

(**) Term: **14 Years**

(21) Appl. No.: **29/480,947**

(22) Filed: **Jan. 30, 2014**

(51) **LOC (10) Cl.** **18-01**

(52) **U.S. Cl.**
USPC **D18/4.6**; D14/383

(58) **Field of Classification Search**
USPC D18/3.1-4.6, 6-8, 11, 12, 12.1-12.3;
D14/371, 373-376, 382, 385-387, 394,
D14/399; D21/324, 329, 332, 333; D99/28,
D99/34-36, 43; 235/375, 380, 439, 441,
235/451, 492; 361/600, 679.01, 679.02,
361/679.31

See application file for complete search history.

(56) **References Cited**

U.S. PATENT DOCUMENTS

D323,489 S * 1/1992 Harris et al. D14/346
D408,438 S * 4/1999 Matsubara et al. D18/7
D409,229 S * 5/1999 Matsubara et al. D18/7
D580,438 S * 11/2008 Kuchler D14/385
D632,696 S * 2/2011 Koh et al. D14/436

D638,014 S * 5/2011 Chong et al. D14/383
D659,146 S * 5/2012 Koh et al. D14/436
D693,816 S * 11/2013 Koh et al. D14/436

* cited by examiner

Primary Examiner — Eric Goodman

Assistant Examiner — Amy Wierenga

(74) *Attorney, Agent, or Firm* — Carol N. Green Kaul, Esq.

(57) **CLAIM**

The ornamental design for a payment card reader with biometric verification means, as shown and described.

DESCRIPTION

FIG. 1 is a front perspective view of the invention with the secure keypad.

FIG. 2 is a rear perspective view of the invention with biometric verification means.

FIG. 3 is a front elevational view of the invention with the secure keypad.

FIG. 4 is a rear elevational view of the invention with biometric verification means.

FIG. 5 is a top plan view of the invention.

FIG. 6 is a bottom plan view of the invention.

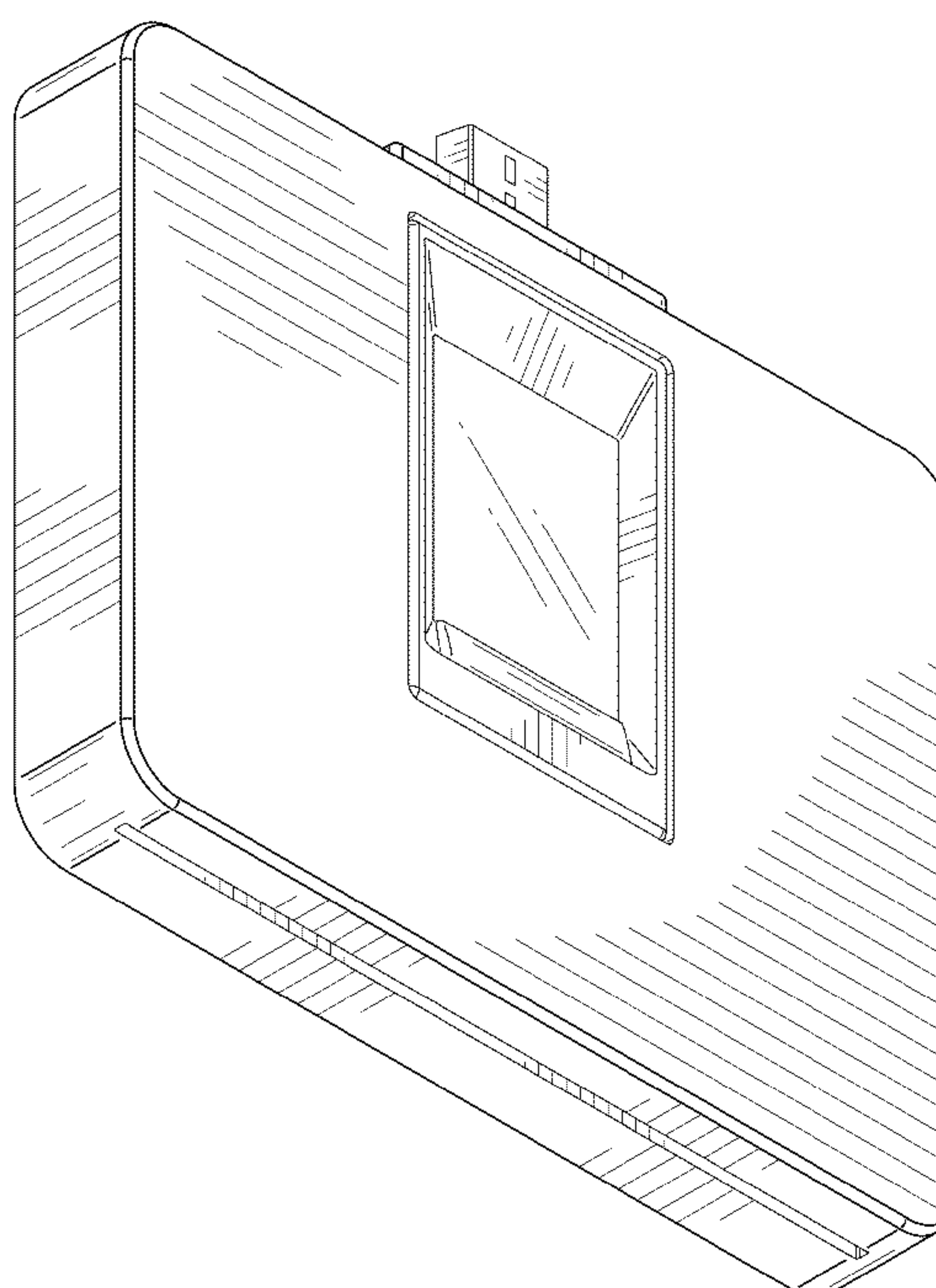
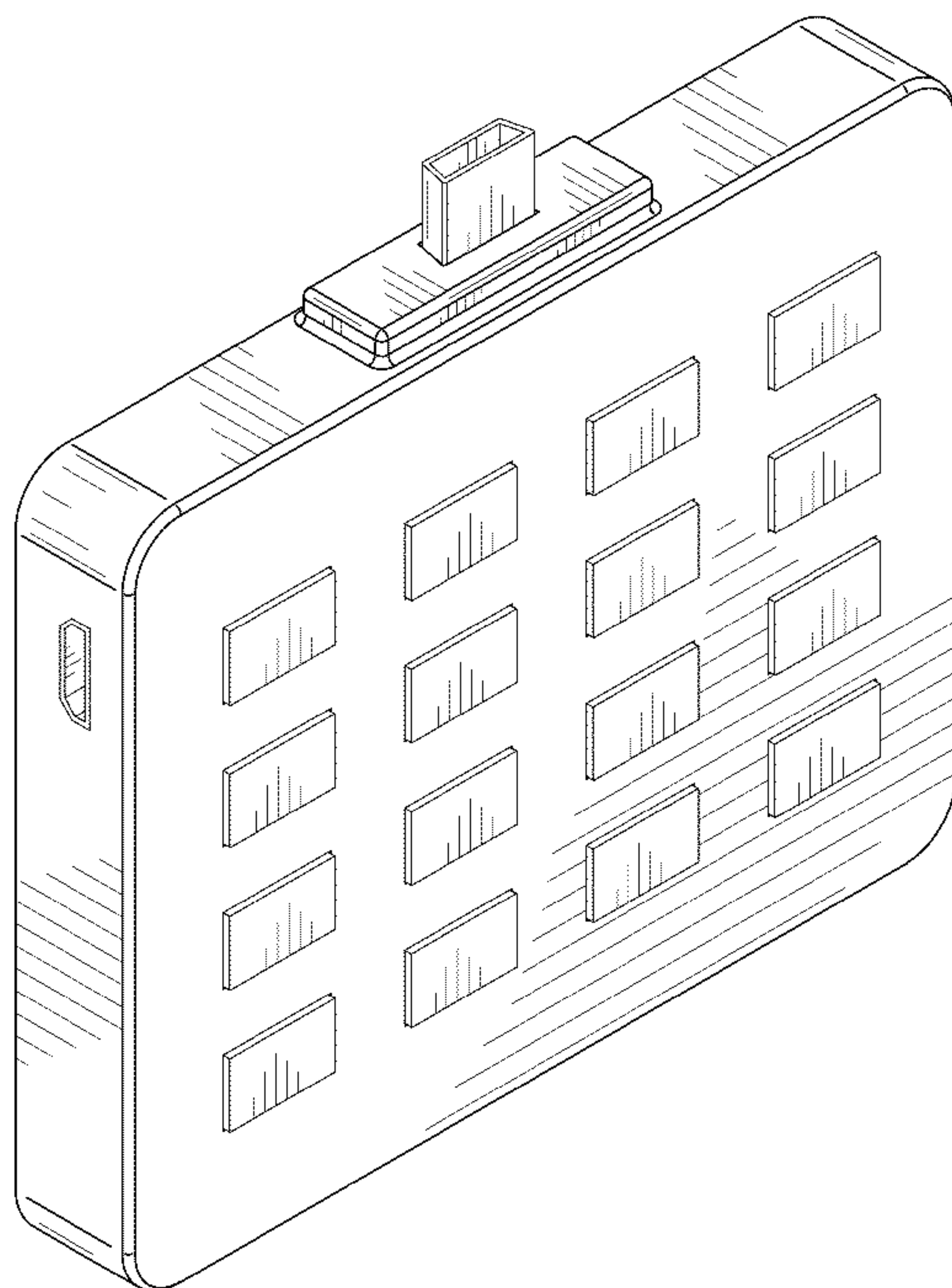
FIG. 7 is a right side view of the invention.

FIG. 8 is a left side view of the invention; and,

FIG. 9 is a rear perspective view of the invention in use with a payment card.

The broken lines in FIG. 3 showing indicia and in FIG. 9 showing a payment card are for environmental purposes only and form no part of the claimed design.

1 Claim, 7 Drawing Sheets



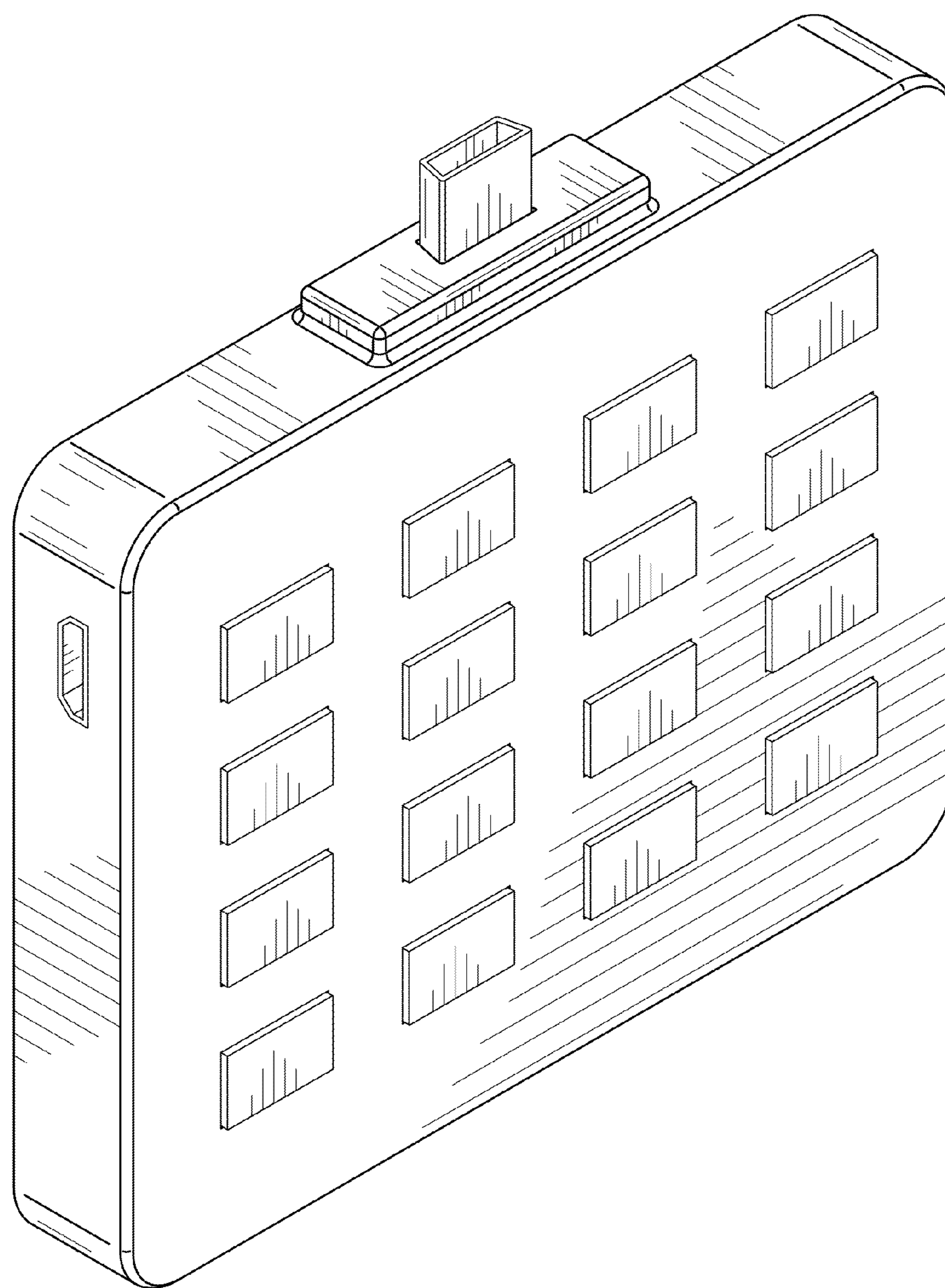


FIG. 1

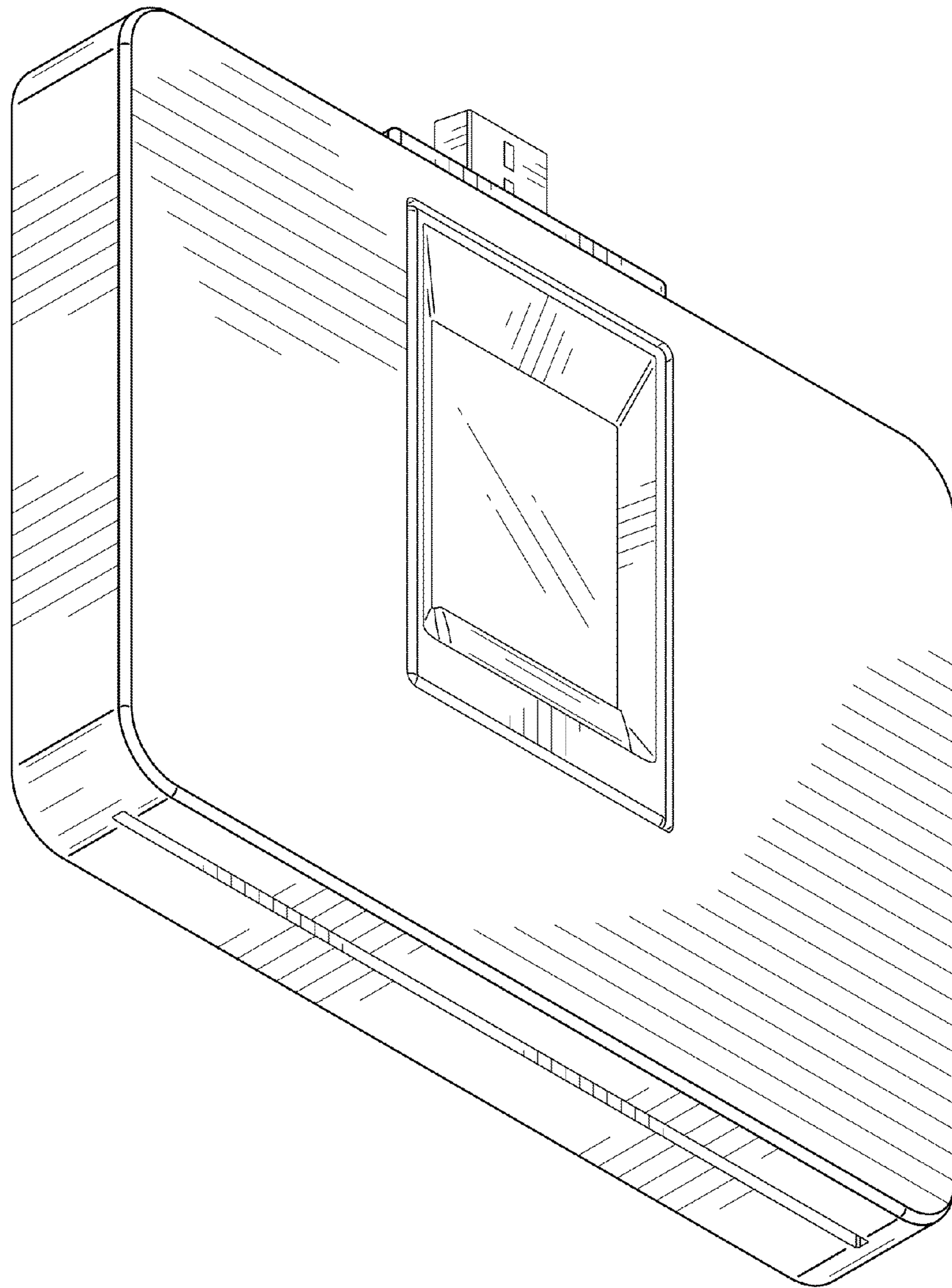


FIG. 2

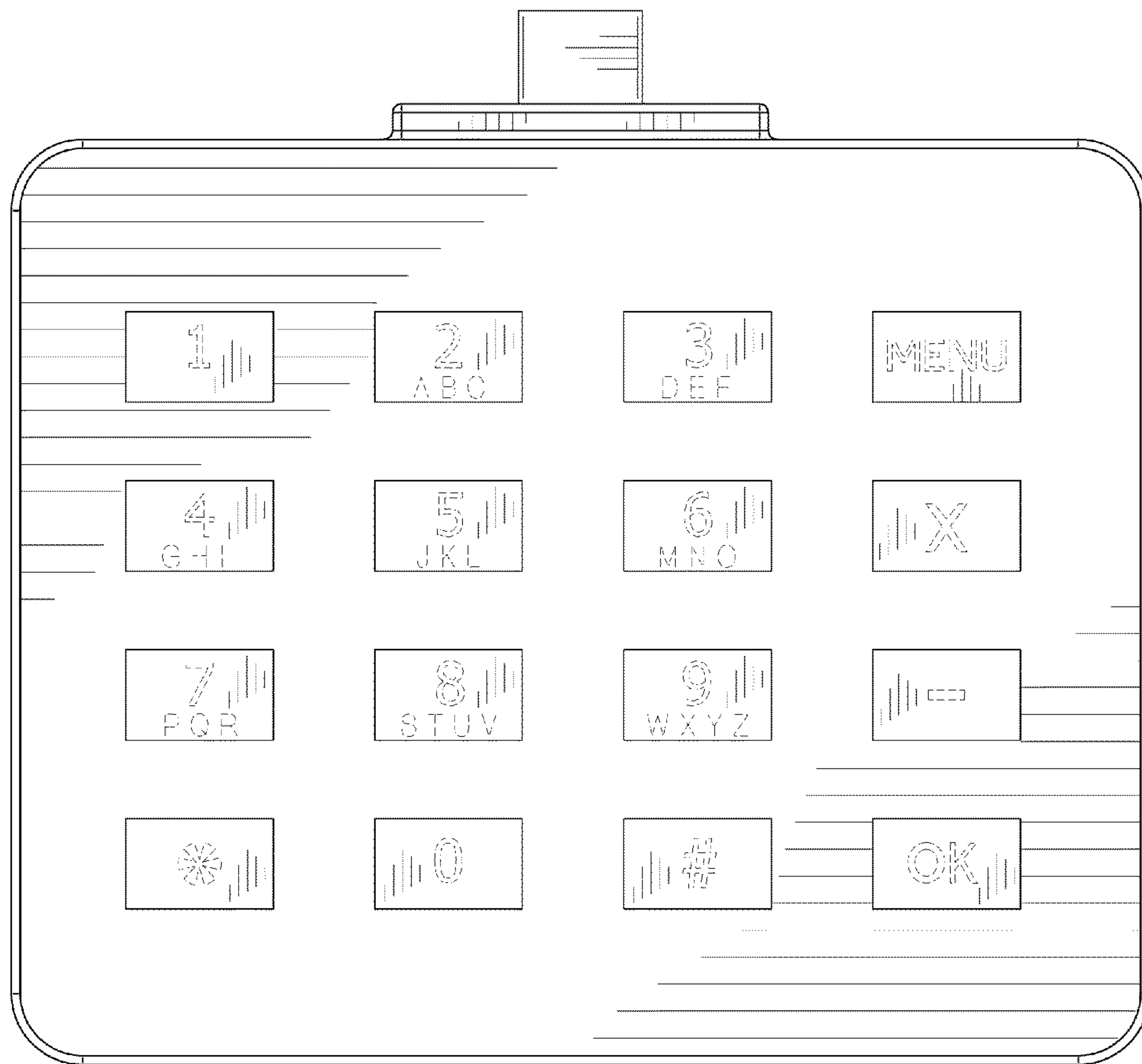


FIG. 3

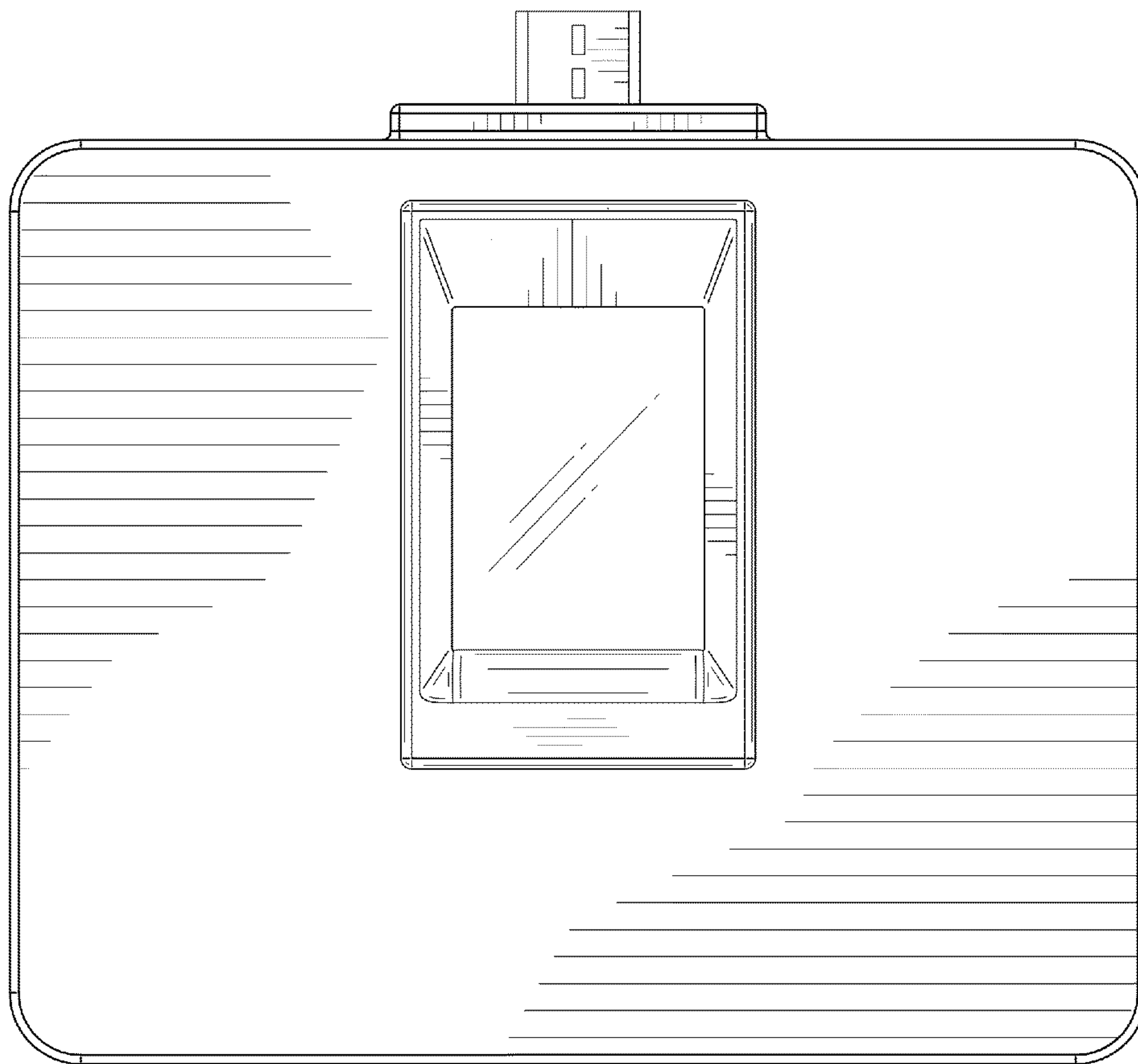


FIG. 4

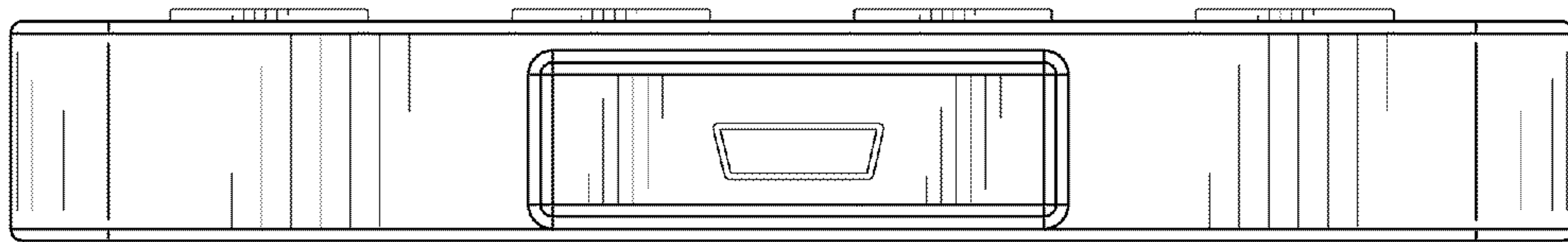


FIG. 5

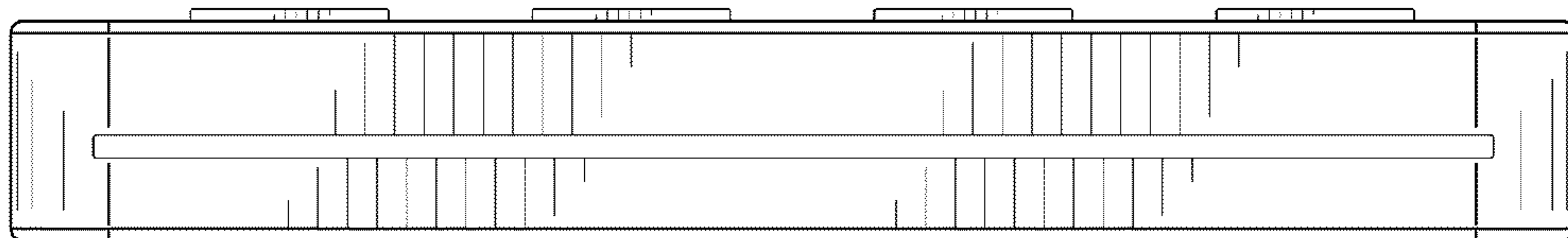


FIG. 6

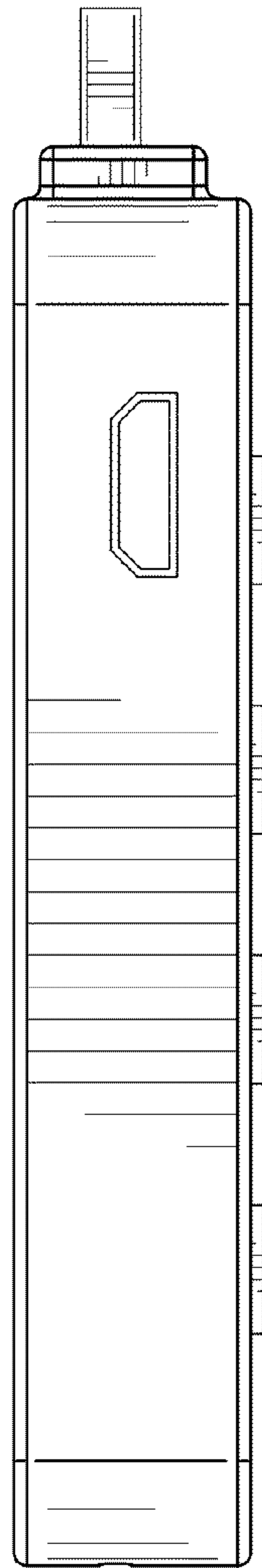


FIG. 7

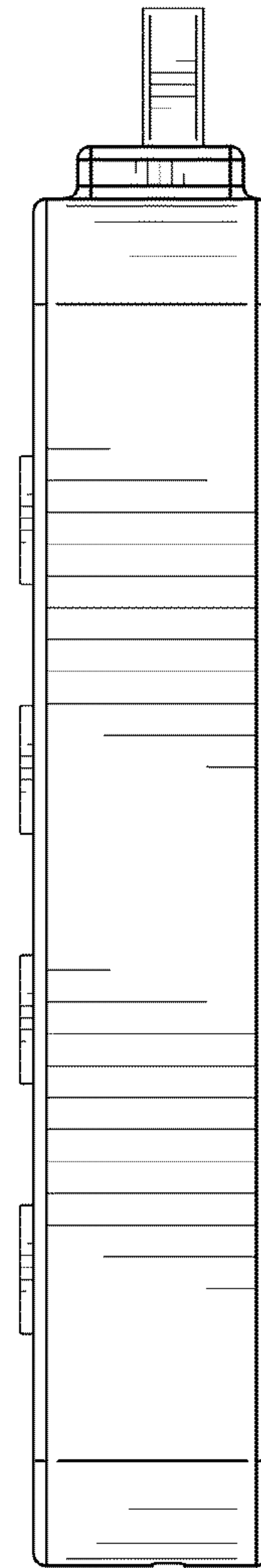


FIG. 8

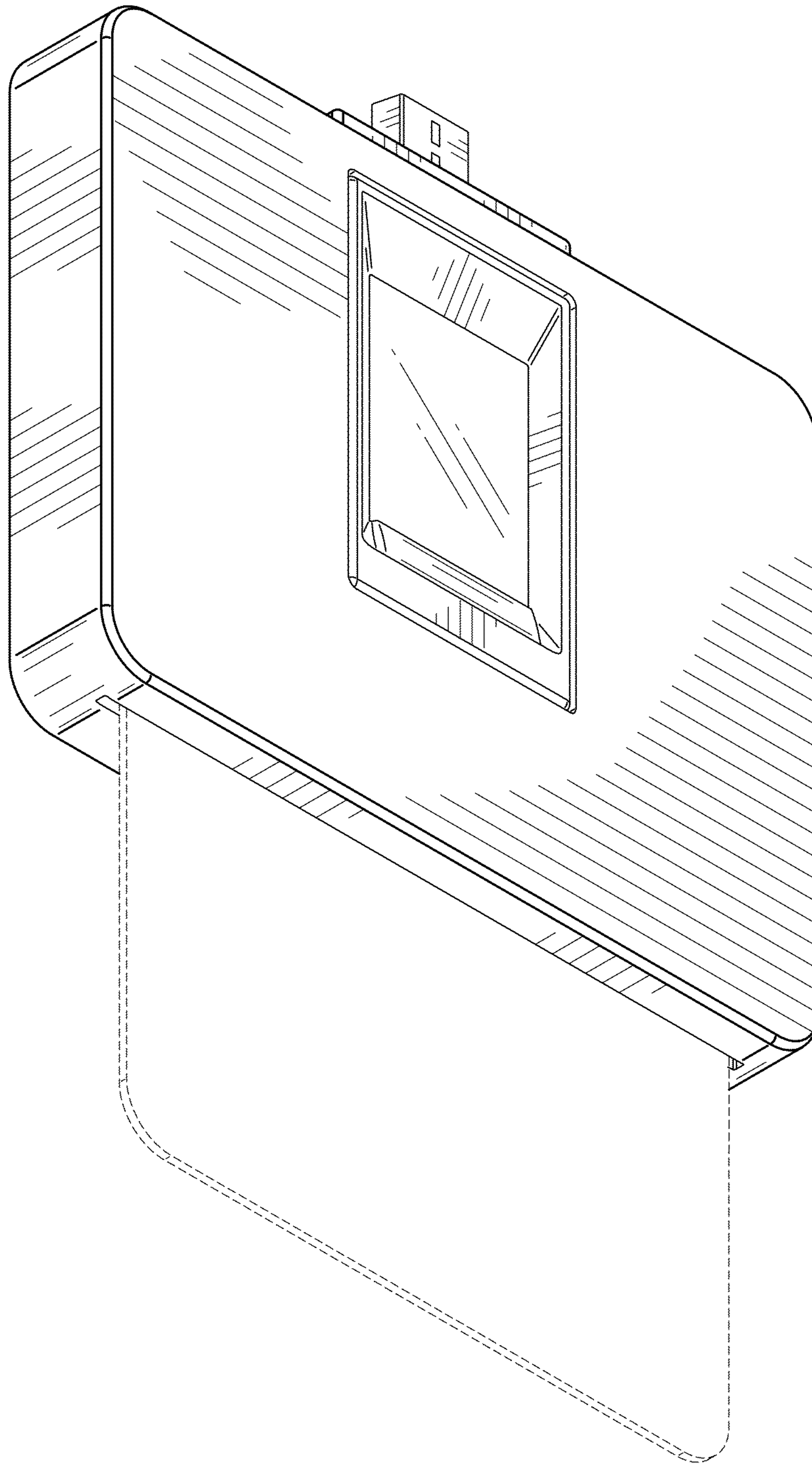


FIG. 9