



US00D728674S

(12) **United States Design Patent**
Chang

(10) **Patent No.:** **US D728,674 S**

(45) **Date of Patent:** **** May 5, 2015**

(54) **STRING ADJUSTER**

(71) Applicant: **Tsung-Min Chang**, Taichung (TW)

(72) Inventor: **Tsung-Min Chang**, Taichung (TW)

(**) Term: **14 Years**

(21) Appl. No.: **29/455,849**

(22) Filed: **May 24, 2013**

(51) **LOC (10) CI.** **17-03**

(52) **U.S. Cl.**

USPC **D17/20**

(58) **Field of Classification Search**

USPC D17/14, 18–21, 99; 84/267, 290–293,
84/297 R, 298, 304, 307, 312 R, 314 R,
84/314 N, 455

See application file for complete search history.

(56) **References Cited**

U.S. PATENT DOCUMENTS

D210,981 S	*	5/1968	Thompson	D17/20
D216,049 S	*	11/1969	Dreyer	D17/20
3,982,462 A	*	9/1976	Schaller	84/306
4,827,825 A	*	5/1989	Goto et al.	84/306
D386,778 S	*	11/1997	Goto	D17/20
D387,373 S	*	12/1997	Miura	D17/20

D388,817 S	*	1/1998	Kang	D17/20
D389,508 S	*	1/1998	Kang	D17/20
6,078,001 A	*	6/2000	Kang	84/304
D673,209 S	*	12/2012	Reboul	D17/20

FOREIGN PATENT DOCUMENTS

JP 2006154435 A * 6/2006

* cited by examiner

Primary Examiner — Rashida Johnson

(74) *Attorney, Agent, or Firm* — Muncy, Geissler, Olds & Lowe, P.C.

(57) **CLAIM**

The ornamental design for “string adjuster,” as shown and described.

DESCRIPTION

FIG. 1 is a front perspective view of a string adjuster showing my new design;

FIG. 2 is a front elevation view thereof;

FIG. 3 is a rear elevation view thereof;

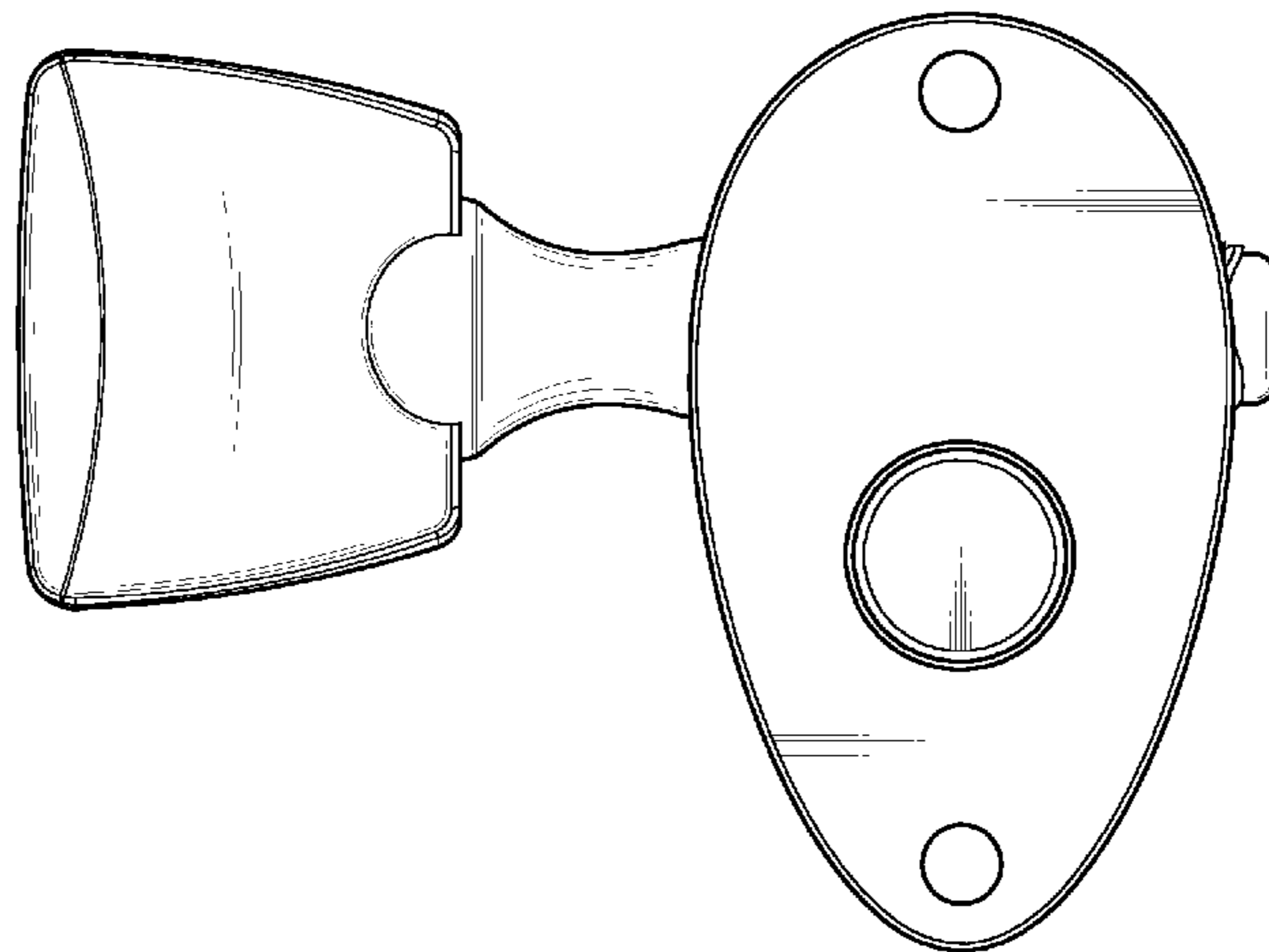
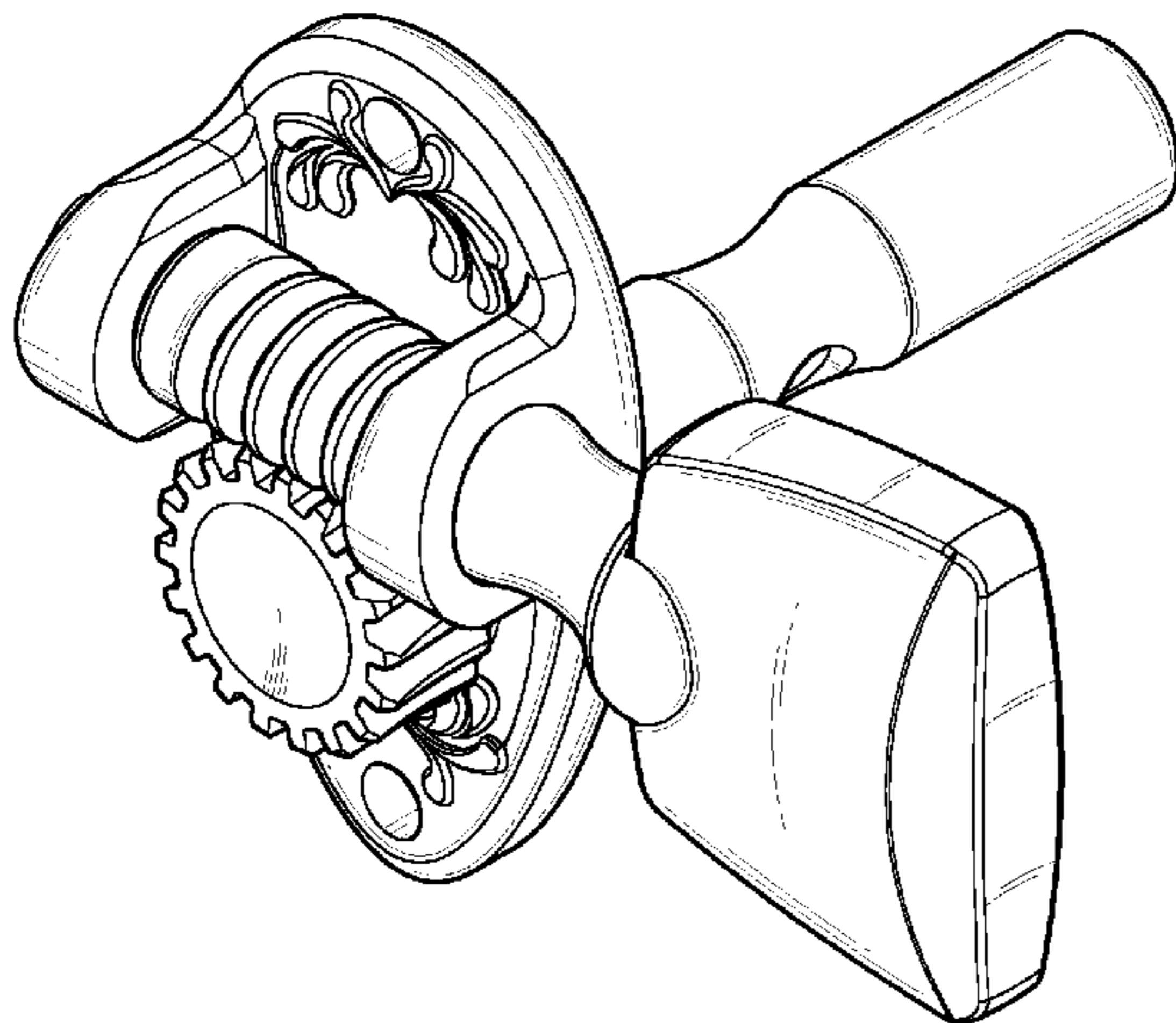
FIG. 4 is a left side elevation view thereof;

FIG. 5 is a right side elevation view thereof;

FIG. 6 is a top view thereof; and,

FIG. 7 is a bottom plan view thereof.

1 Claim, 5 Drawing Sheets



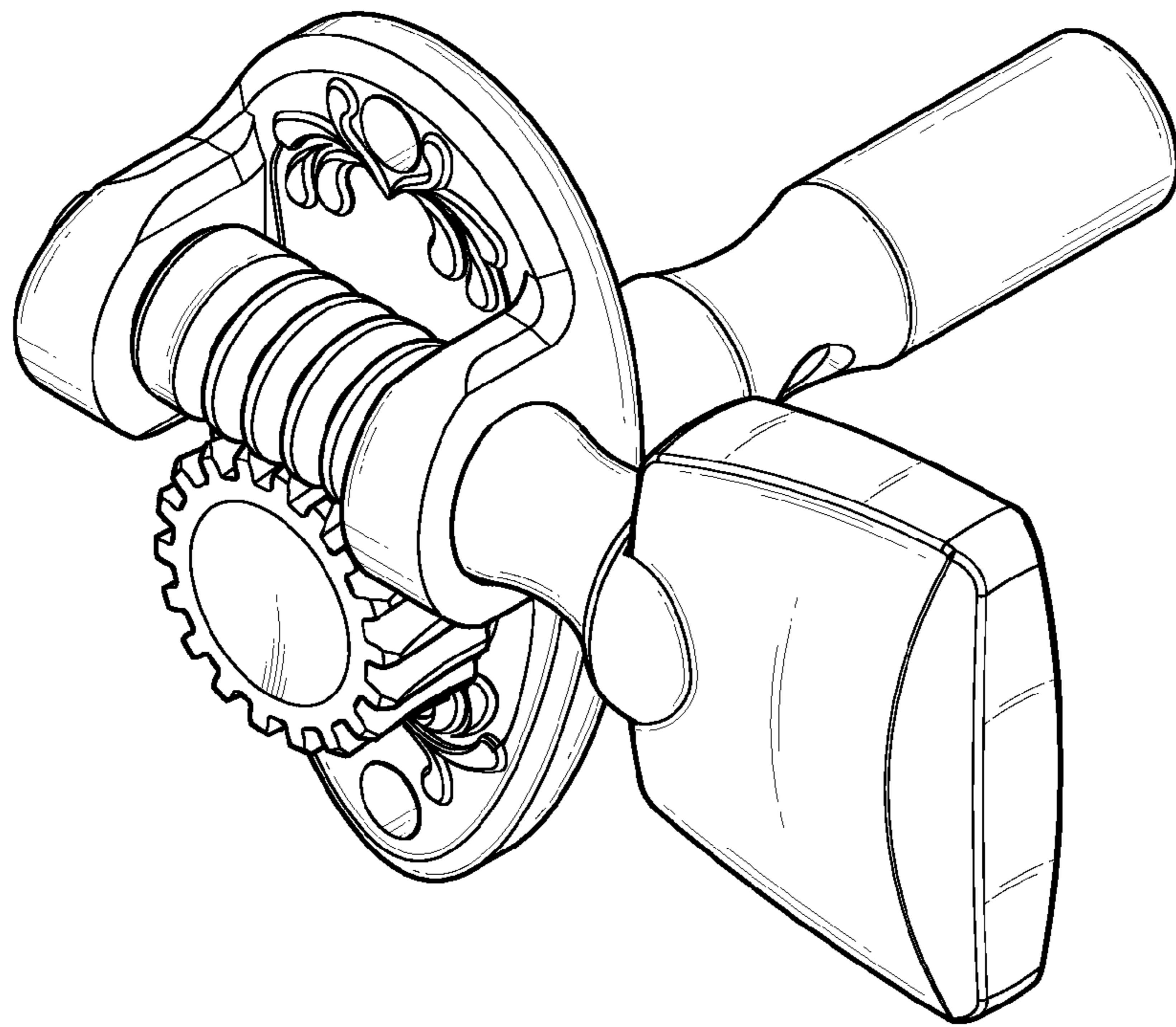


Fig . 1

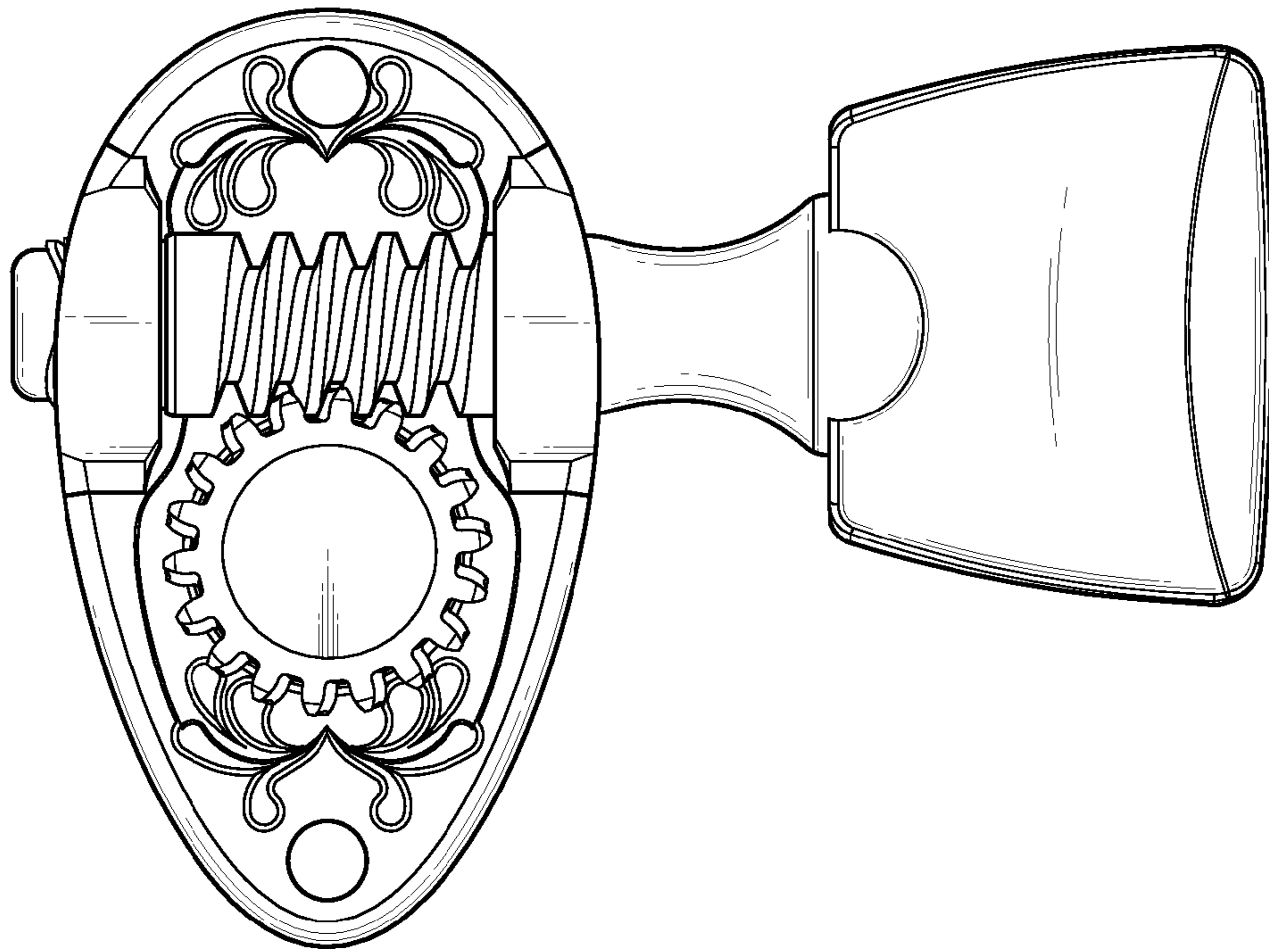


Fig . 2

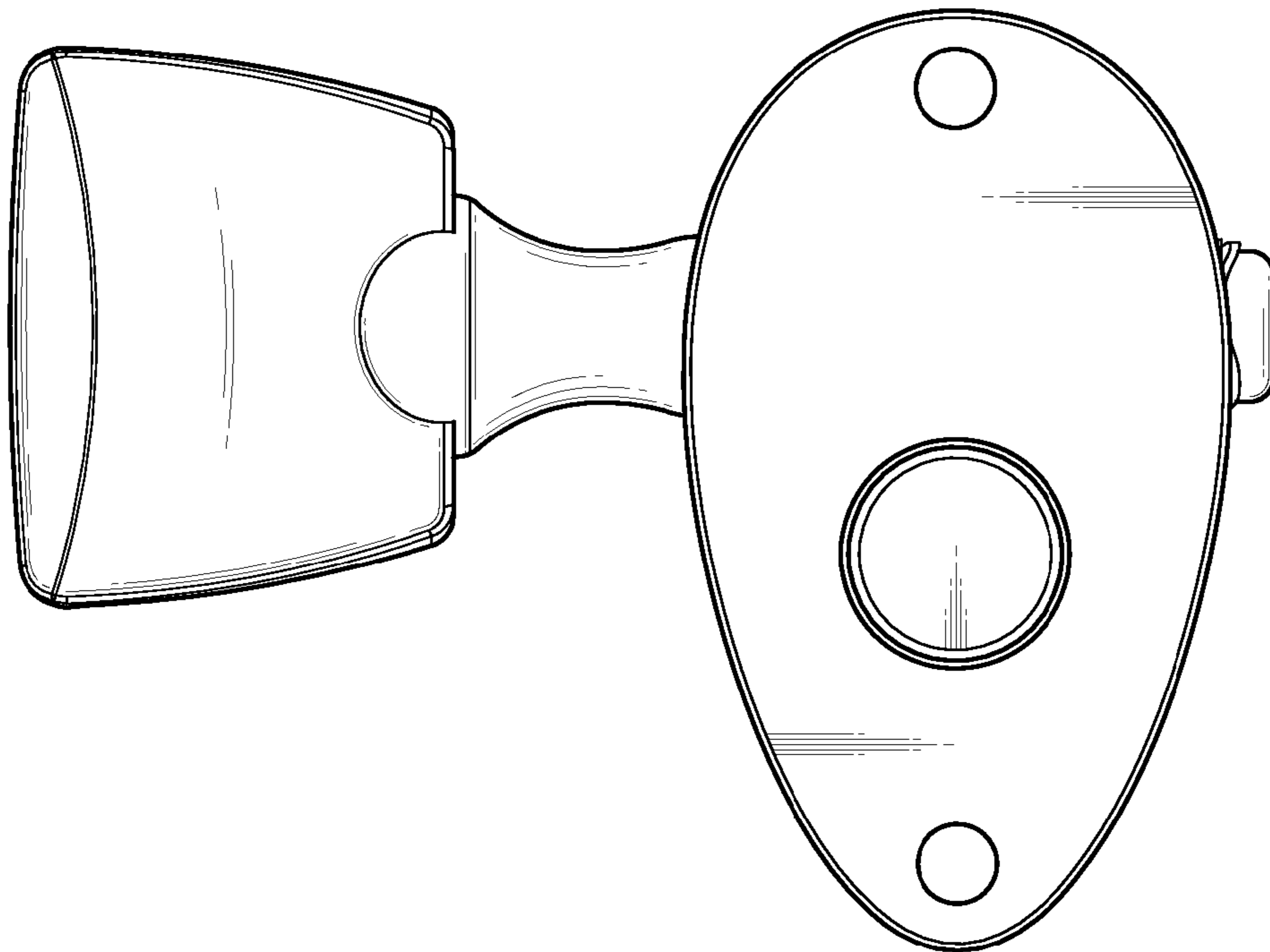


Fig . 3

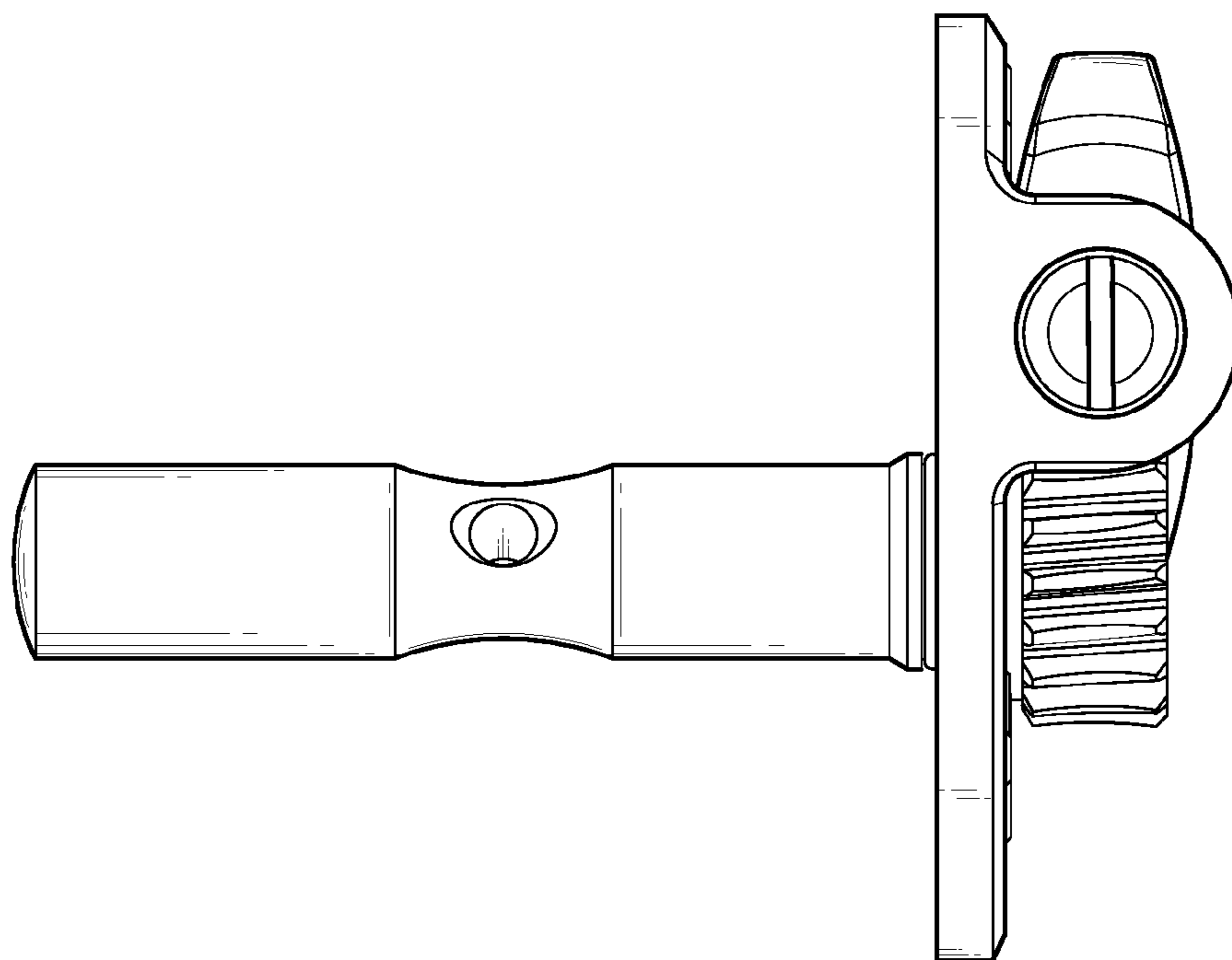


Fig . 4

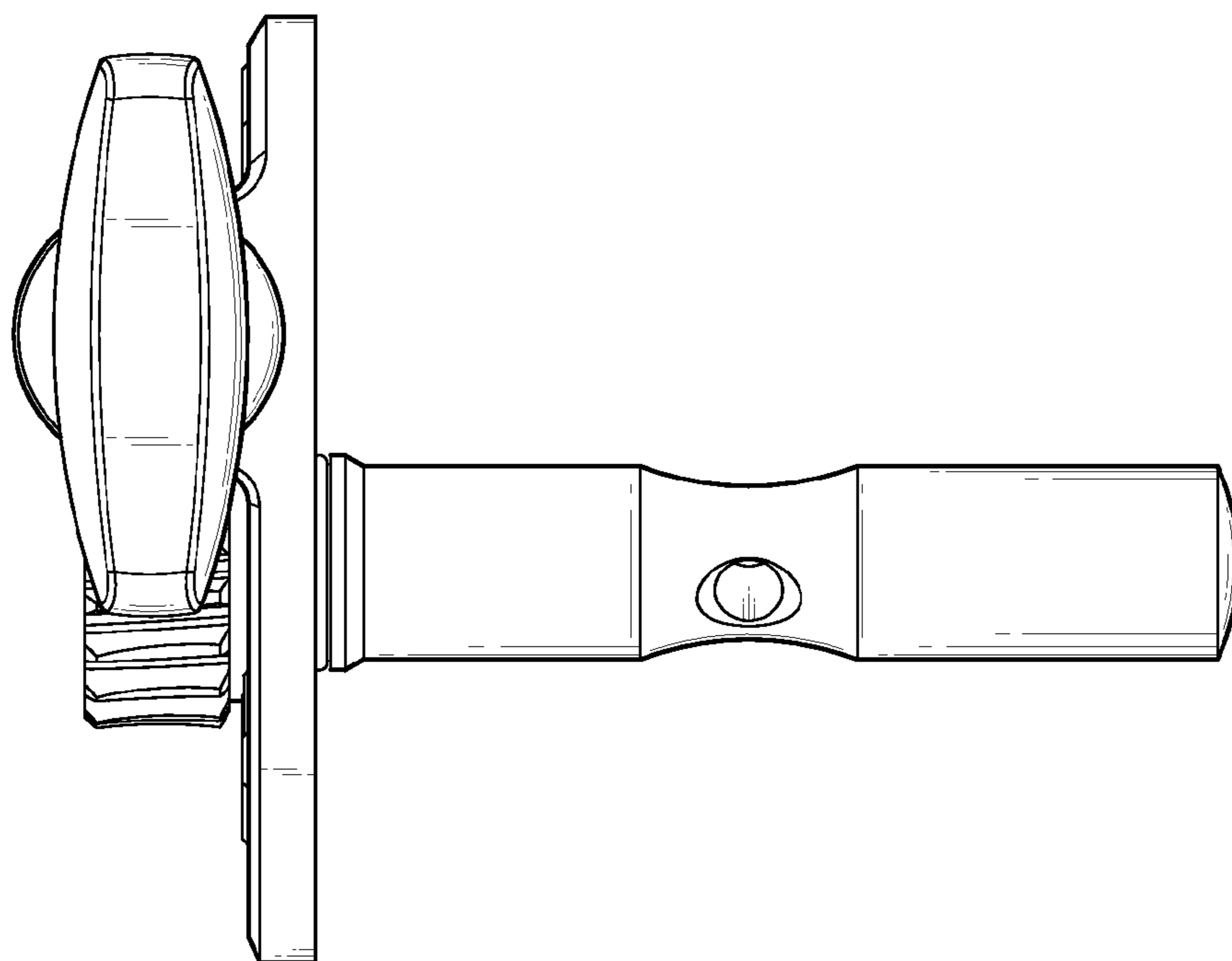


Fig . 5

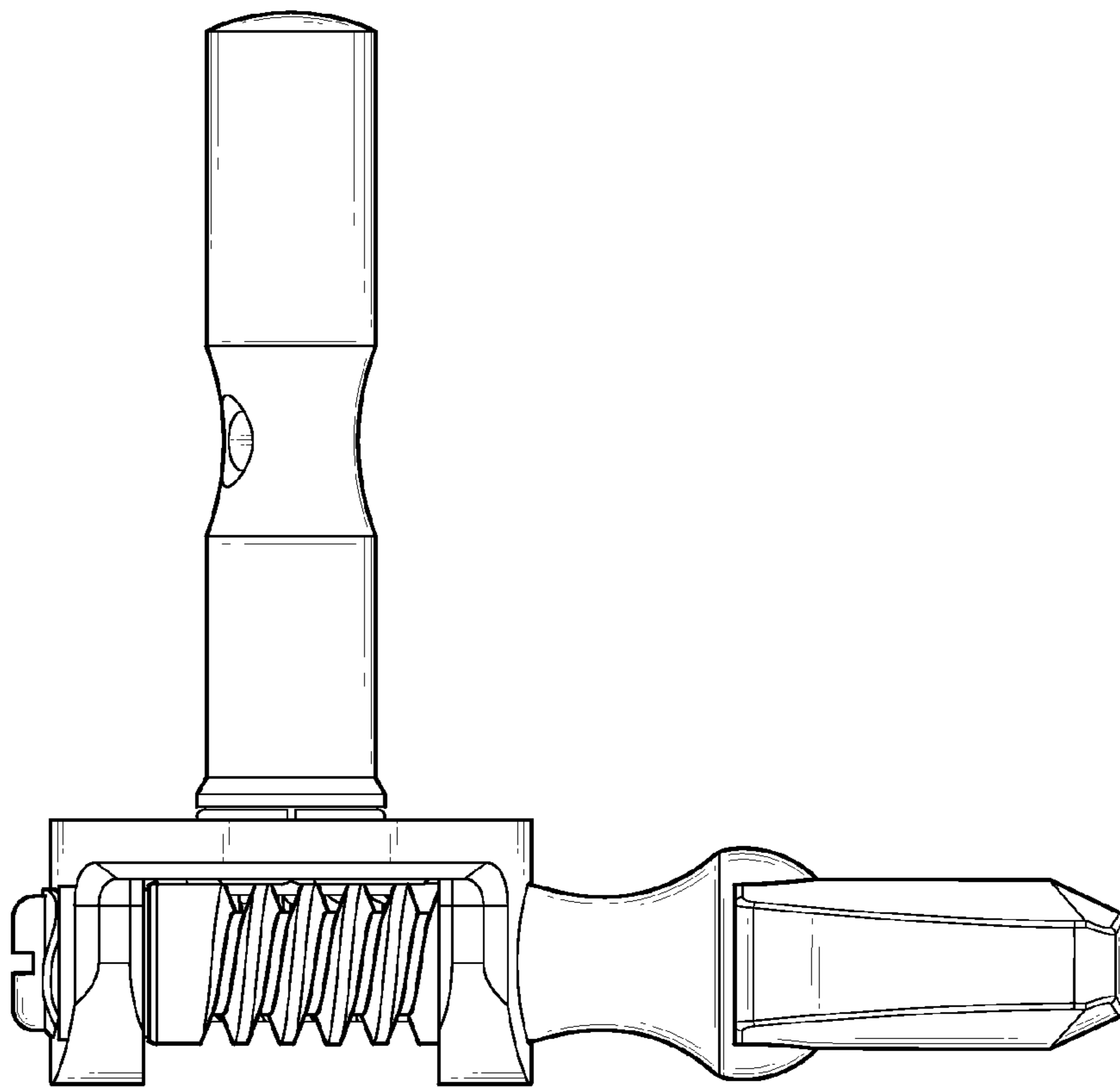


Fig . 6

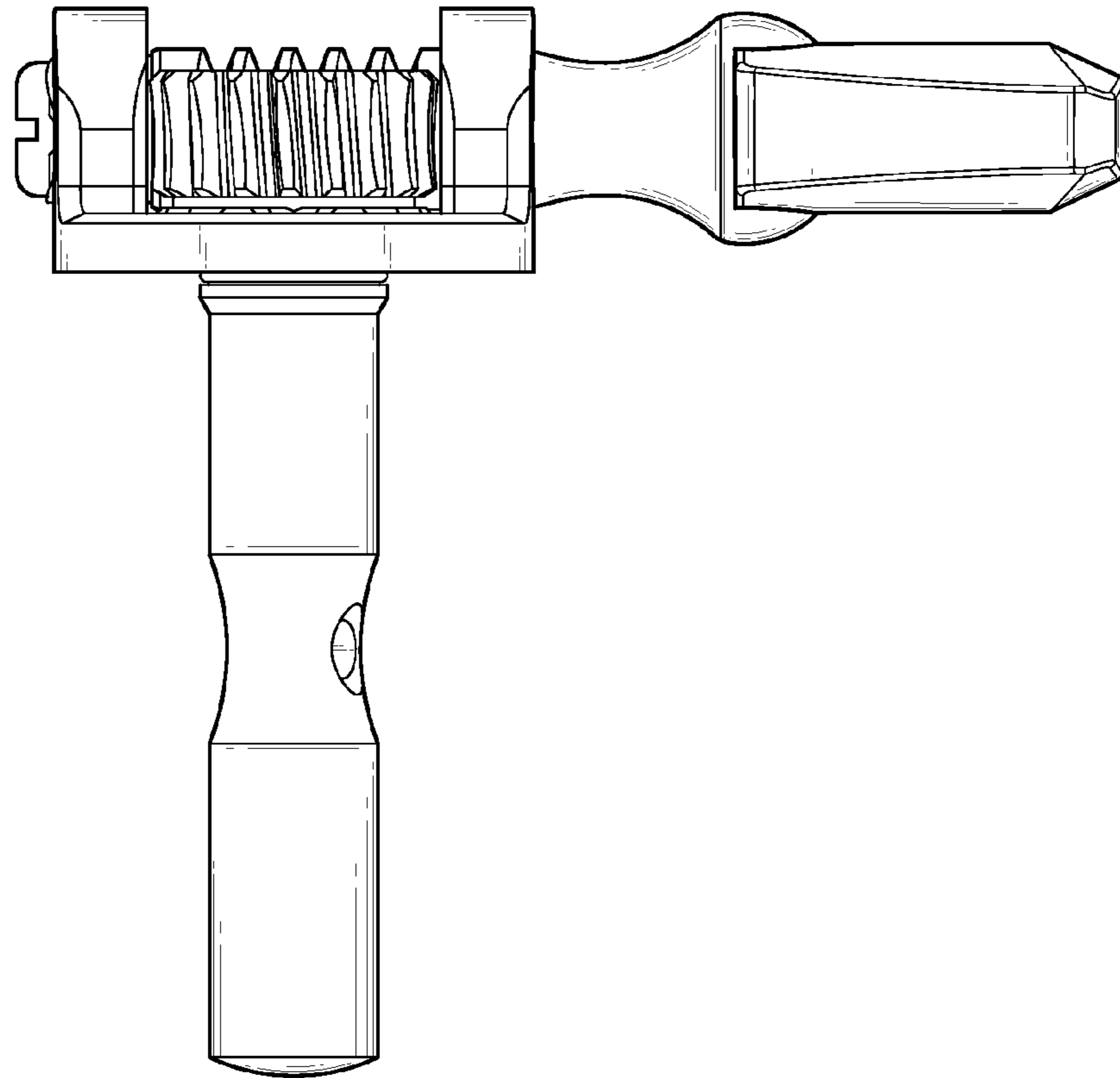


Fig . 7