



US00D728662S

(12) **United States Design Patent**
Kikuchi et al.

(10) **Patent No.:** **US D728,662 S**

(45) **Date of Patent:** **** May 5, 2015**

(54) **DIGITAL CAMERA**

(71) Applicant: **Nikon Corporation**, Tokyo (JP)

(72) Inventors: **Toru Kikuchi**, Tokyo (JP); **Yuichi Ichikawa**, Tokyo (JP); **Noriyasu Kotani**, Tokyo (JP)

(73) Assignee: **Nikon Corporation**, Tokyo (JP)

(**) Term: **14 Years**

(21) Appl. No.: **29/484,757**

(22) Filed: **Mar. 12, 2014**

(30) **Foreign Application Priority Data**

Sep. 13, 2013 (JP) 2013-021324

(51) **LOC (10) Cl.** **16-05**

(52) **U.S. Cl.**
USPC **D16/219**

(58) **Field of Classification Search**

CPC G03B 17/02; G03B 19/04; G03B 17/56;
G03B 17/04; G03B 15/03; G03B 17/14;
H04N 5/2251; H04N 5/2252; H04N 5/2253;
H04N 5/2254; G02B 7/02; G02B 7/04;
G02B 7/14

USPC D16/134, 136, 200, 202–206, 208, 218,
D16/219; 348/373–376; 359/826–828;
396/529–532, 535, 539–541

See application file for complete search history.

(56) **References Cited**

U.S. PATENT DOCUMENTS

D392,988 S * 3/1998 Ishikawa et al. D16/218
D597,578 S * 8/2009 Kim et al. D16/202
D605,678 S * 12/2009 Shimobayashi D16/202

D641,033 S * 7/2011 Nohara D16/202
D647,552 S * 10/2011 Ogasawara et al. D16/202
D663,758 S * 7/2012 Ham D16/202
D669,515 S * 10/2012 Jang et al. D16/202
D695,329 S * 12/2013 Fujita et al. D16/202
D695,808 S * 12/2013 Takahashi D16/202
D716,862 S * 11/2014 Hoshi D16/202
D719,599 S * 12/2014 Fujita D16/202
2007/0212062 A1 * 9/2007 Saiki et al. 396/535

* cited by examiner

Primary Examiner — Adir Aronovich

Assistant Examiner — Ramzi Almatrahi

(74) *Attorney, Agent, or Firm* — Wolf, Greenfield & Sacks, P.C.

(57) **CLAIM**

The ornamental design for a digital camera, as shown and described.

DESCRIPTION

FIG. 1 is a front, top and right side perspective view of a digital camera showing our new design;
FIG. 2 is a front view thereof;
FIG. 3 is a top plan view thereof;
FIG. 4 is a bottom plan view thereof;
FIG. 5 is a right side view thereof;
FIG. 6 is a left side view thereof; and,
FIG. 7 is an enlarged cross-sectional view of a front portion of the article taken along line 7-7 in FIG. 2.

The features shown in broken lines in the drawings depict environmental subject matter only and form no part of the claimed design. The dot-dashed lines immediately adjacent to the shaded area define the boundaries of the claimed design and form no part thereof.

1 Claim, 7 Drawing Sheets

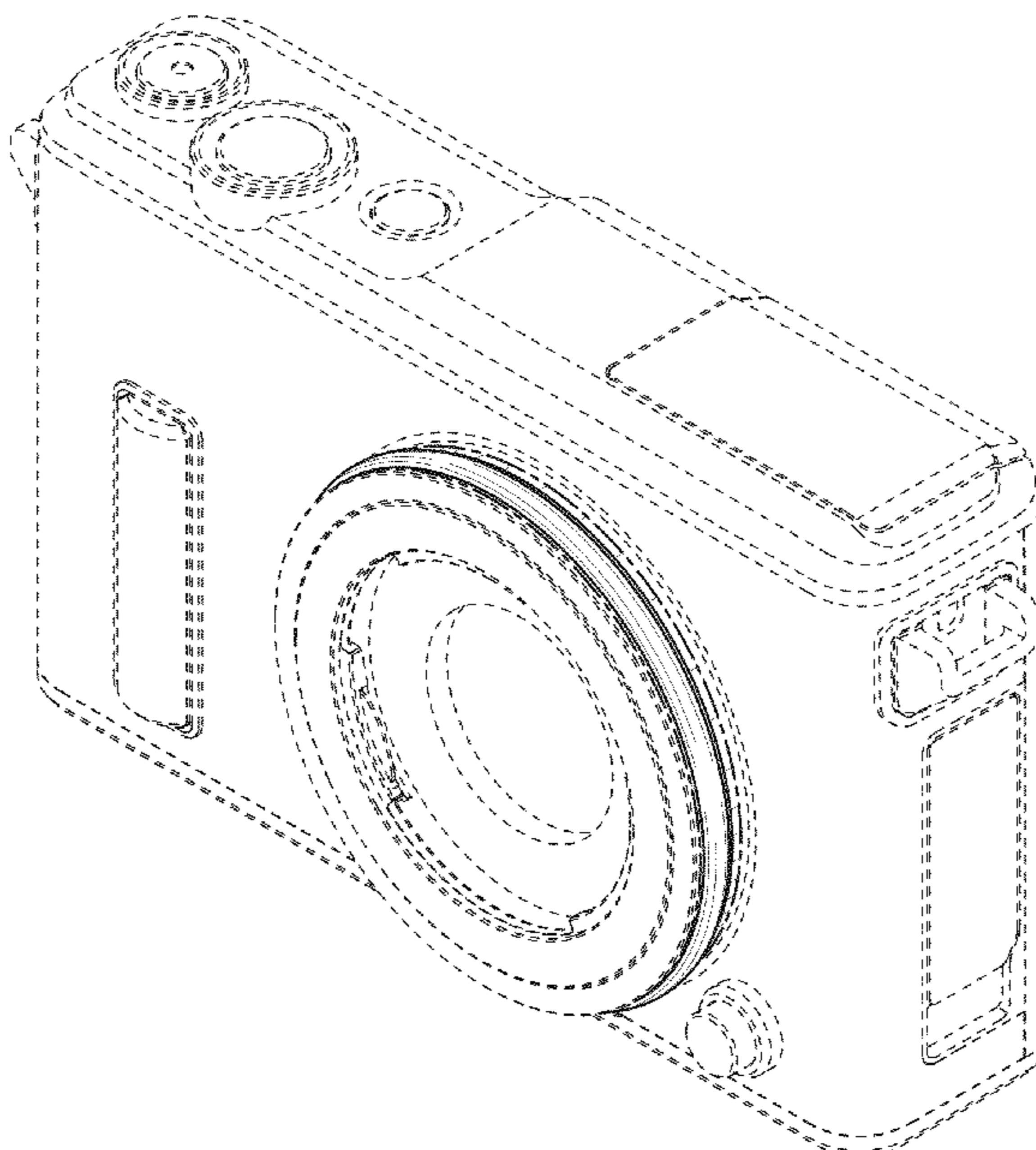


FIG. 1

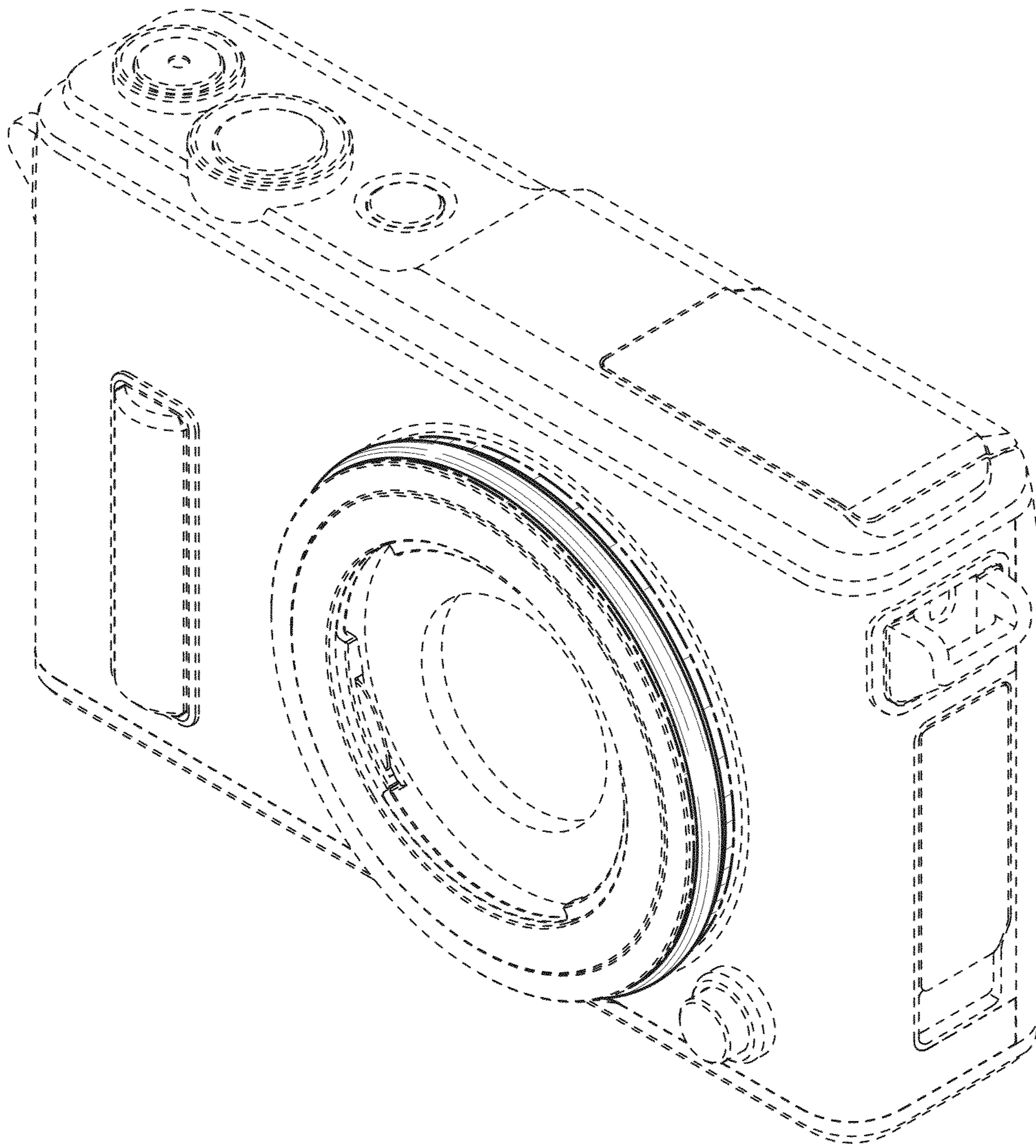


FIG. 2

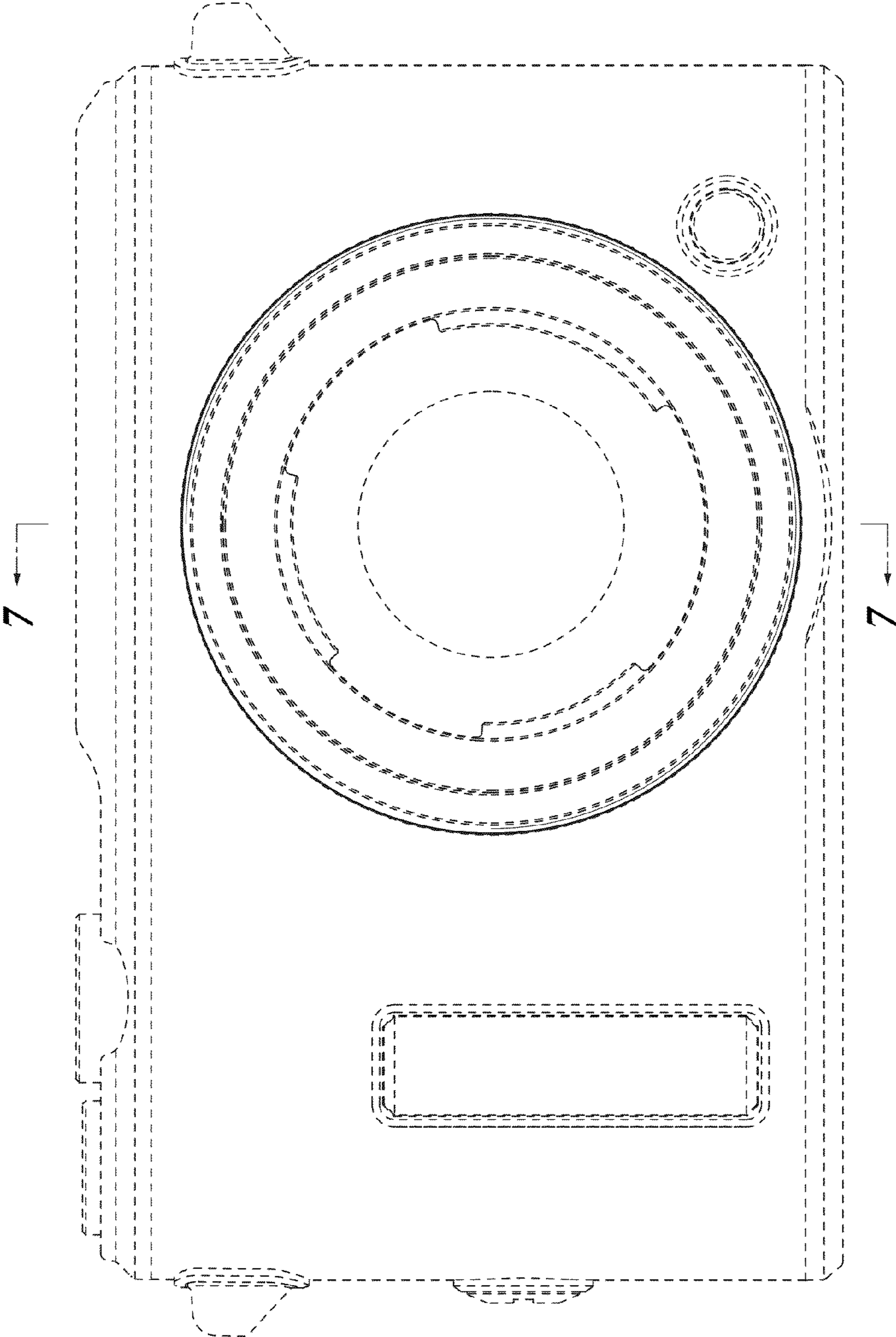


FIG. 3

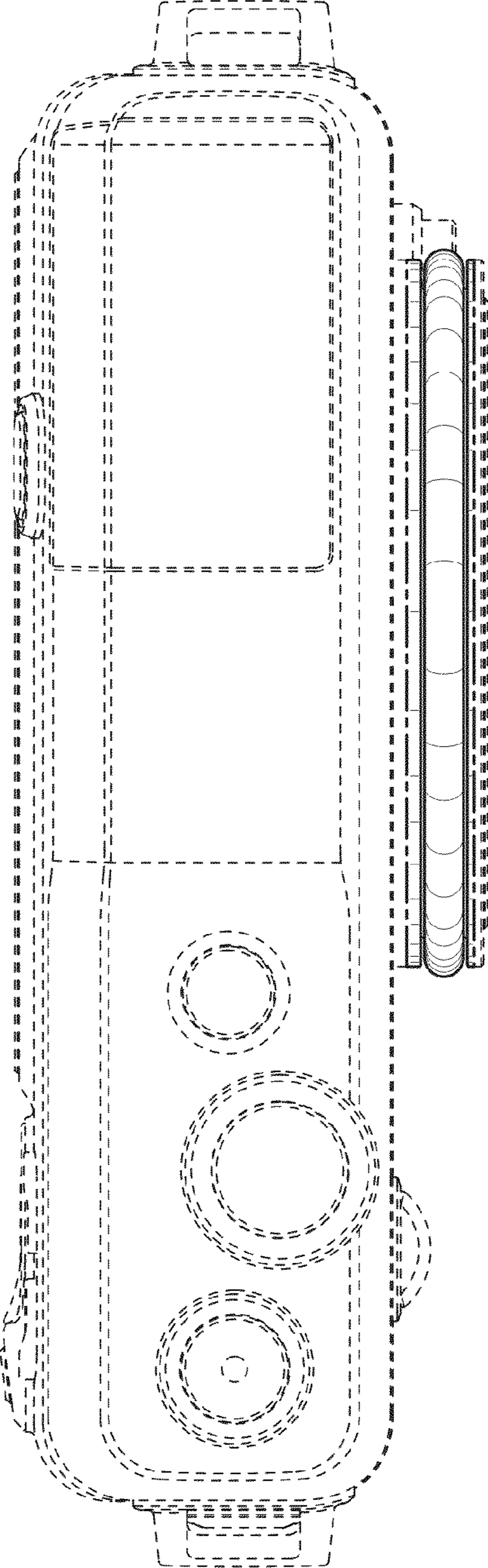


FIG. 4

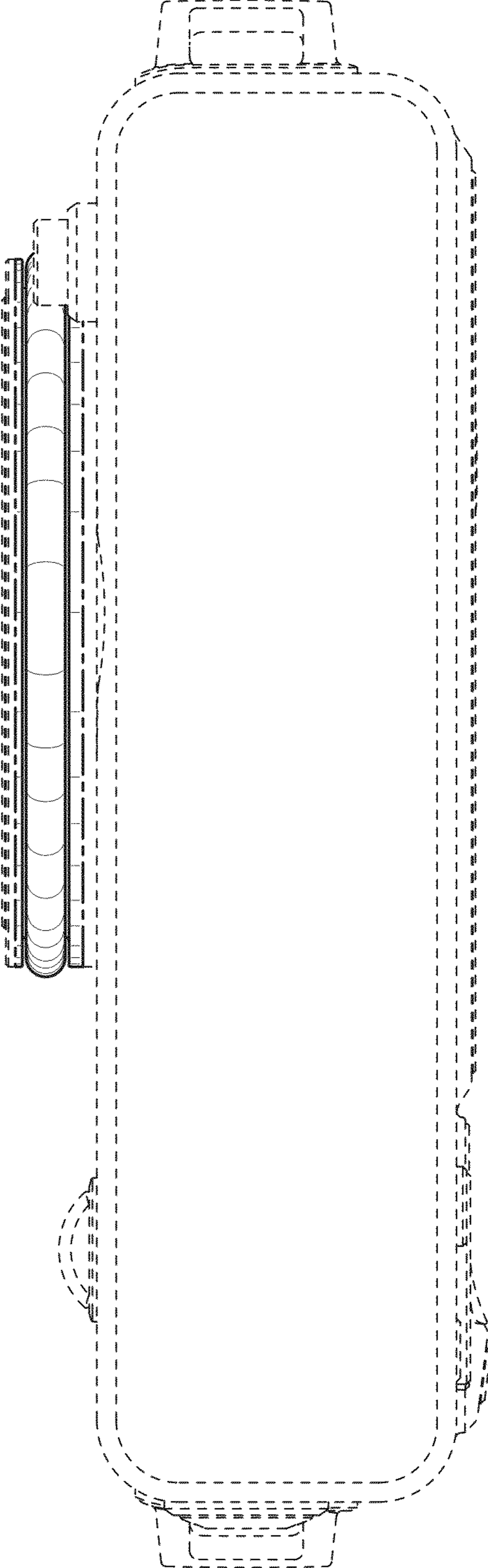


FIG. 5

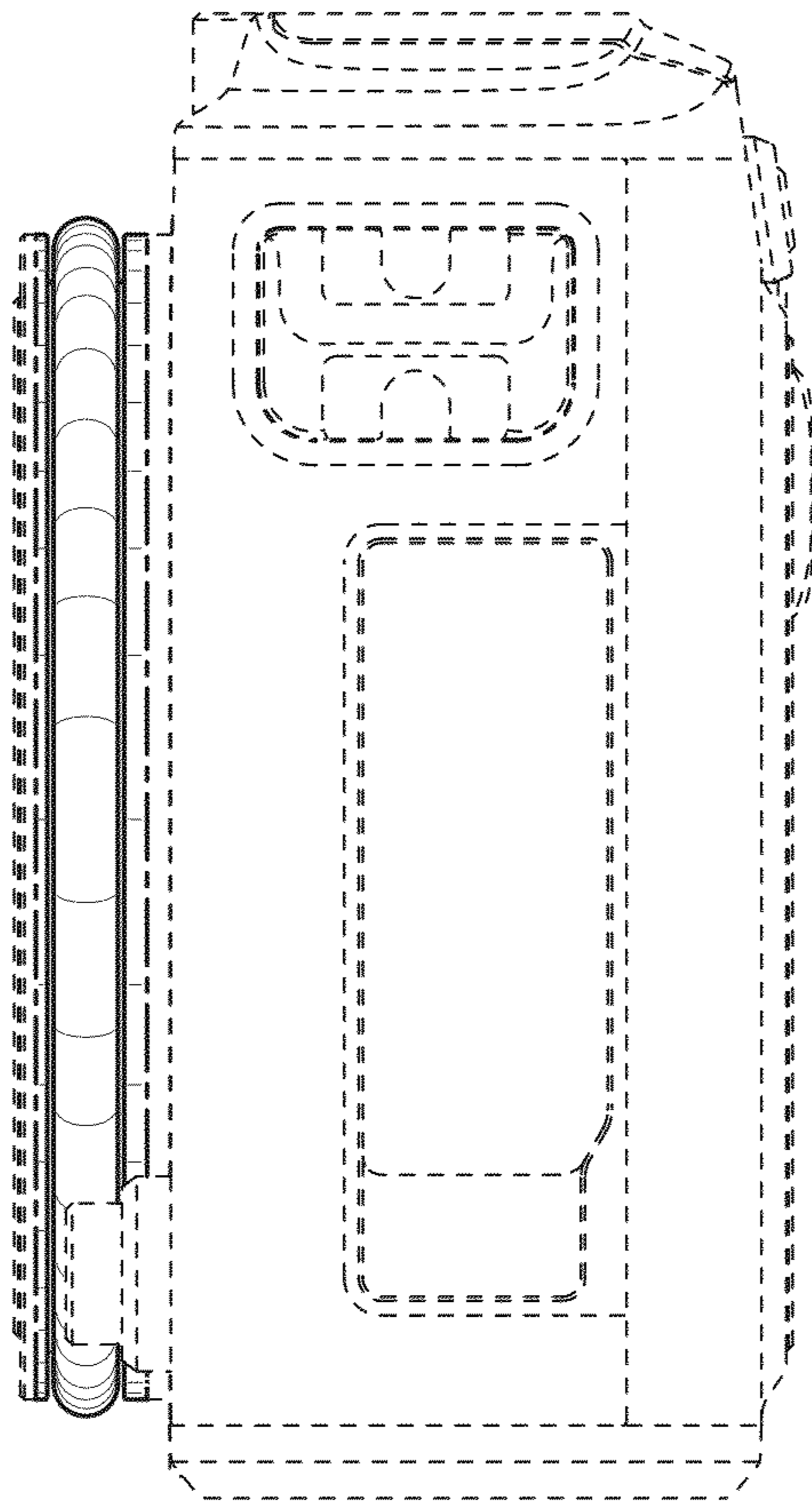


FIG. 6

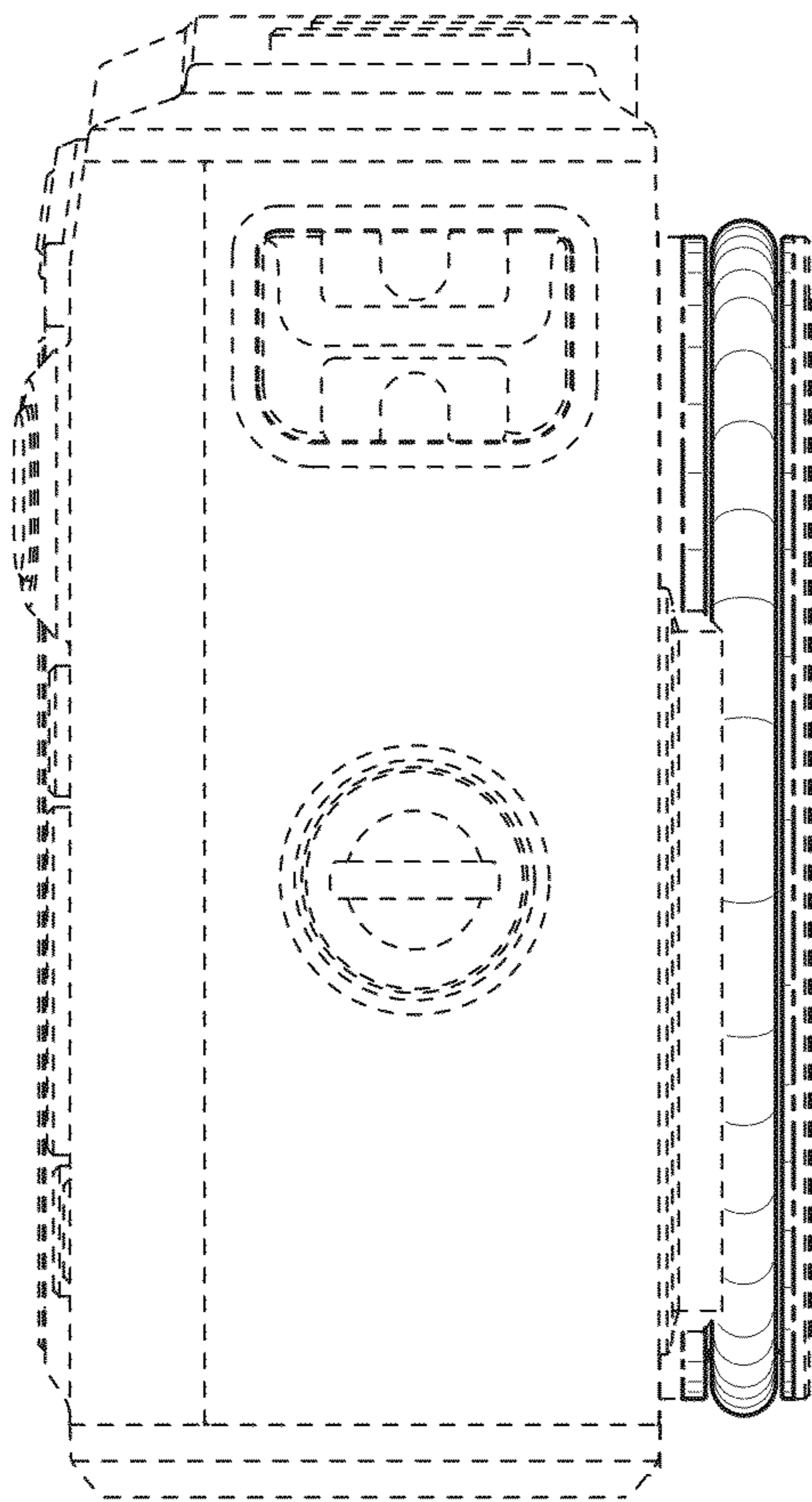


FIG. 7

