



US00D728661S

(12) **United States Design Patent**
Kim

(10) **Patent No.:** **US D728,661 S**

(45) **Date of Patent:** **** May 5, 2015**

- (54) **DISPLAY DEVICE FOR CAMERA**
- (71) Applicant: **Samsung Electronics Co., Ltd.**,
Suwon-si, Gyeonggi-do (KR)
- (72) Inventor: **Joo-Hyung Kim**, Busan (KR)
- (73) Assignee: **Samsung Electronics Co., Ltd.** (KR)
- (**) Term: **14 Years**
- (21) Appl. No.: **29/472,988**
- (22) Filed: **Nov. 18, 2013**

(30) **Foreign Application Priority Data**

Jun. 17, 2013 (KR) 30-2013-0031114

(51) **LOC (10) Cl.** **16-05**

(52) **U.S. Cl.**
USPC **D16/219**

(58) **Field of Classification Search**
 CPC G03B 17/02; G03B 19/04; G03B 17/56;
 G03B 17/04; G03B 15/03; G03B 17/14;
 H04N 5/2251; H04N 5/2252; H04N 5/2253;
 H04N 5/2254; G02B 7/02; G02B 7/04;
 G02B 7/14
 USPC D16/134, 136, 200, 202–205, 208, 218,
 D16/219; 348/36, 335, 373–376; 359/554,
 359/826–828; 396/72, 282, 287, 291, 296,
 396/529–532, 535, 539–541, 544
 See application file for complete search history.

(56) **References Cited**

U.S. PATENT DOCUMENTS

- D421,032 S * 2/2000 Oka D16/136
- D505,147 S * 5/2005 Koren D16/219

- D649,993 S * 12/2011 Ding D16/134
- D665,005 S * 8/2012 Asano et al. D16/219
- 8,265,472 B2 * 9/2012 Masuki 396/72
- D682,908 S * 5/2013 Nakajima D16/219
- D709,119 S * 7/2014 Kim et al. D16/219
- D718,362 S * 11/2014 Noh D16/219
- 2013/0265662 A1 * 10/2013 Araie et al. 359/827
- 2014/0098278 A1 * 4/2014 Koyama et al. 348/335

* cited by examiner

Primary Examiner — Adir Aronovich

Assistant Examiner — Ramzi Almatrahi

(74) *Attorney, Agent, or Firm* — Cantor Colburn LLP

(57) **CLAIM**

The ornamental design for a display device for camera, as shown and described.

DESCRIPTION

FIG. 1 is a front perspective view of a display device for camera showing my new design;
 FIG. 2 is a front elevation view thereof;
 FIG. 3 is a rear elevation view thereof;
 FIG. 4 is a left-side elevation view thereof;
 FIG. 5 is a right-side elevation view thereof;
 FIG. 6 is a top plan view thereof;
 FIG. 7 is a bottom plan view thereof; and,
 FIG. 8 is another front perspective view thereof, the display device for camera being shown in an environment wherein the display device for camera is combined with a camera.
 The broken lines illustrating portions of the display device for camera are for environmental purposes only and form no part of the claimed design.
 The shade lines in the figures show contour and not surface ornamentation.

1 Claim, 3 Drawing Sheets

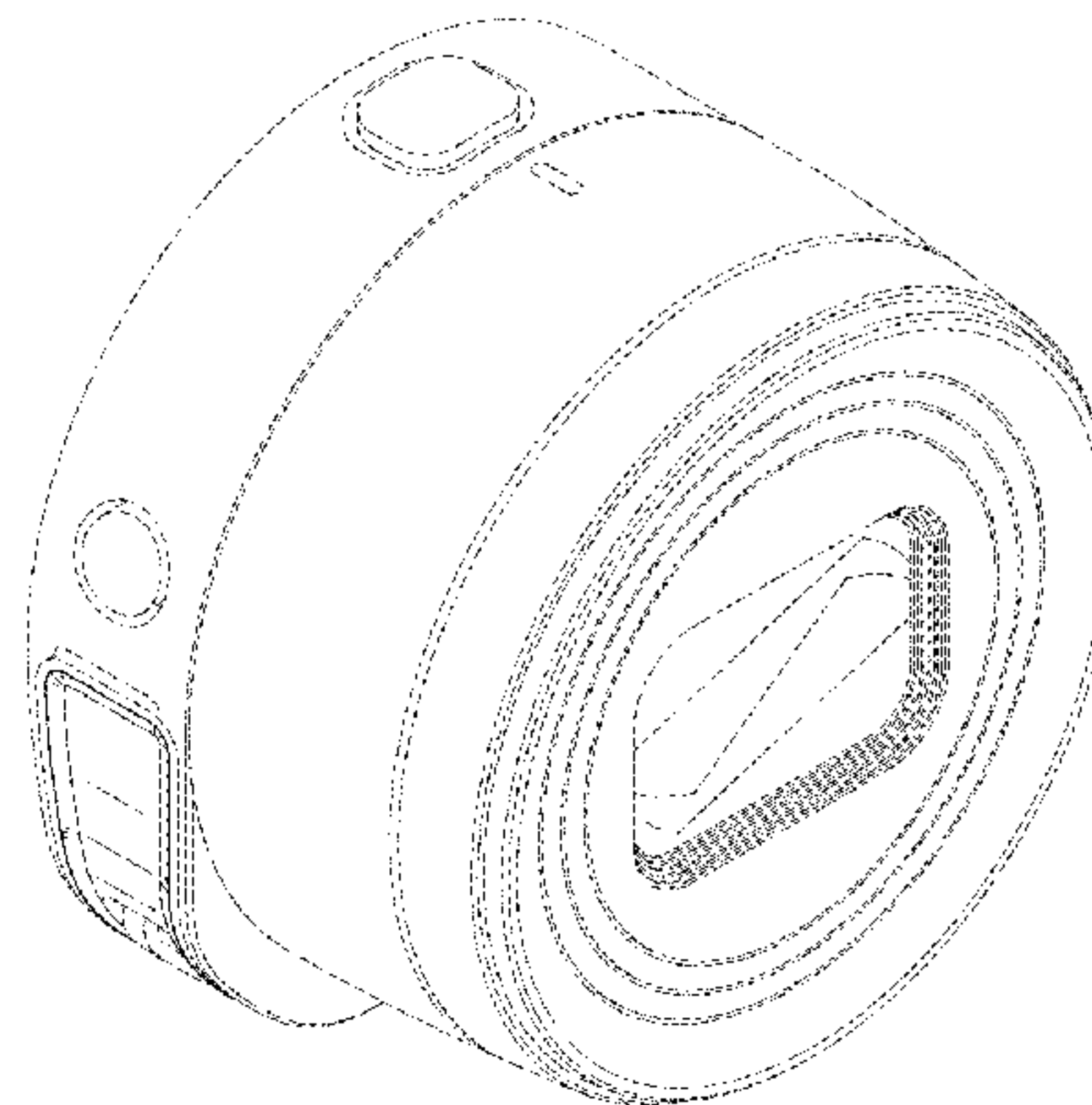
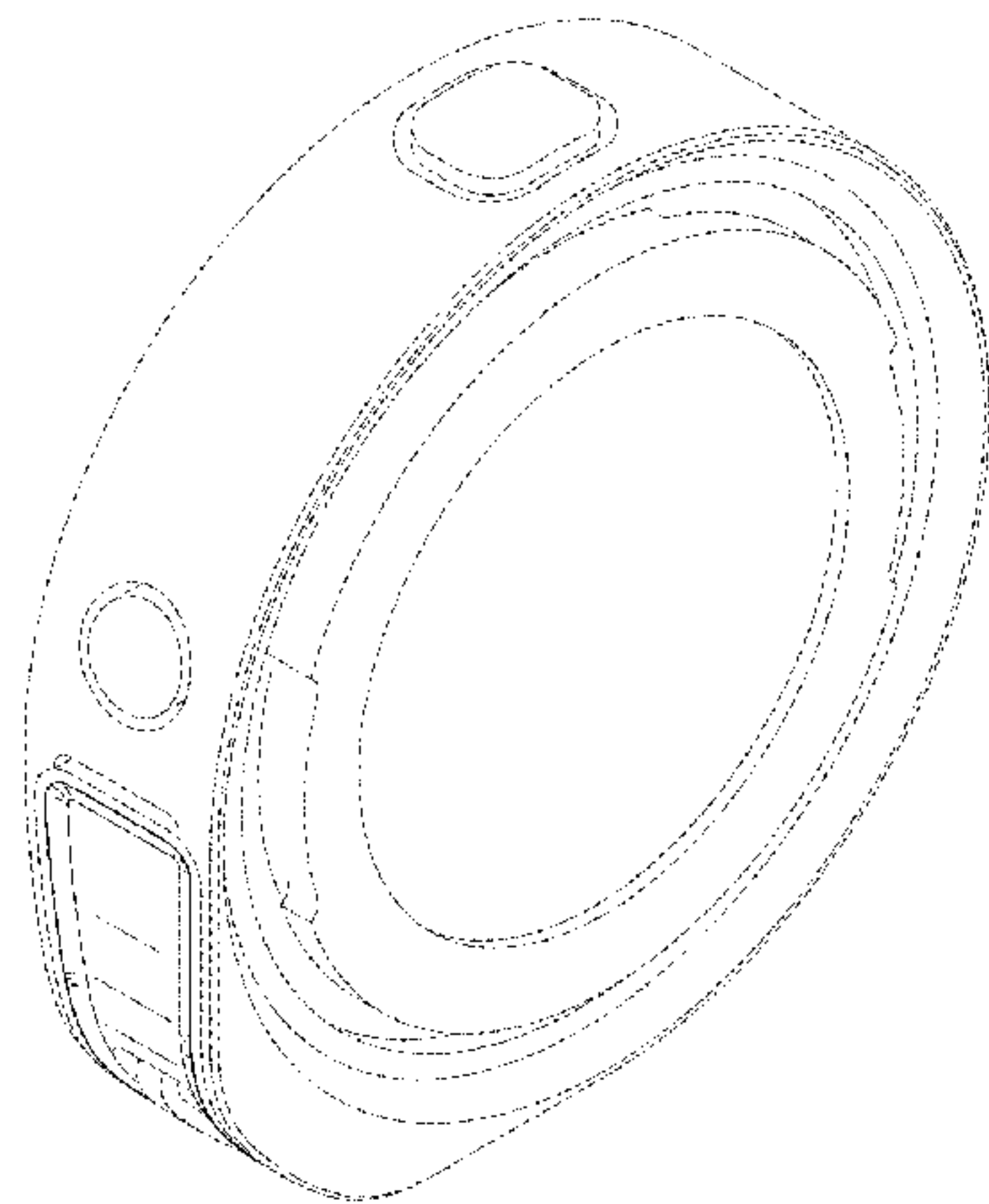


FIG.1

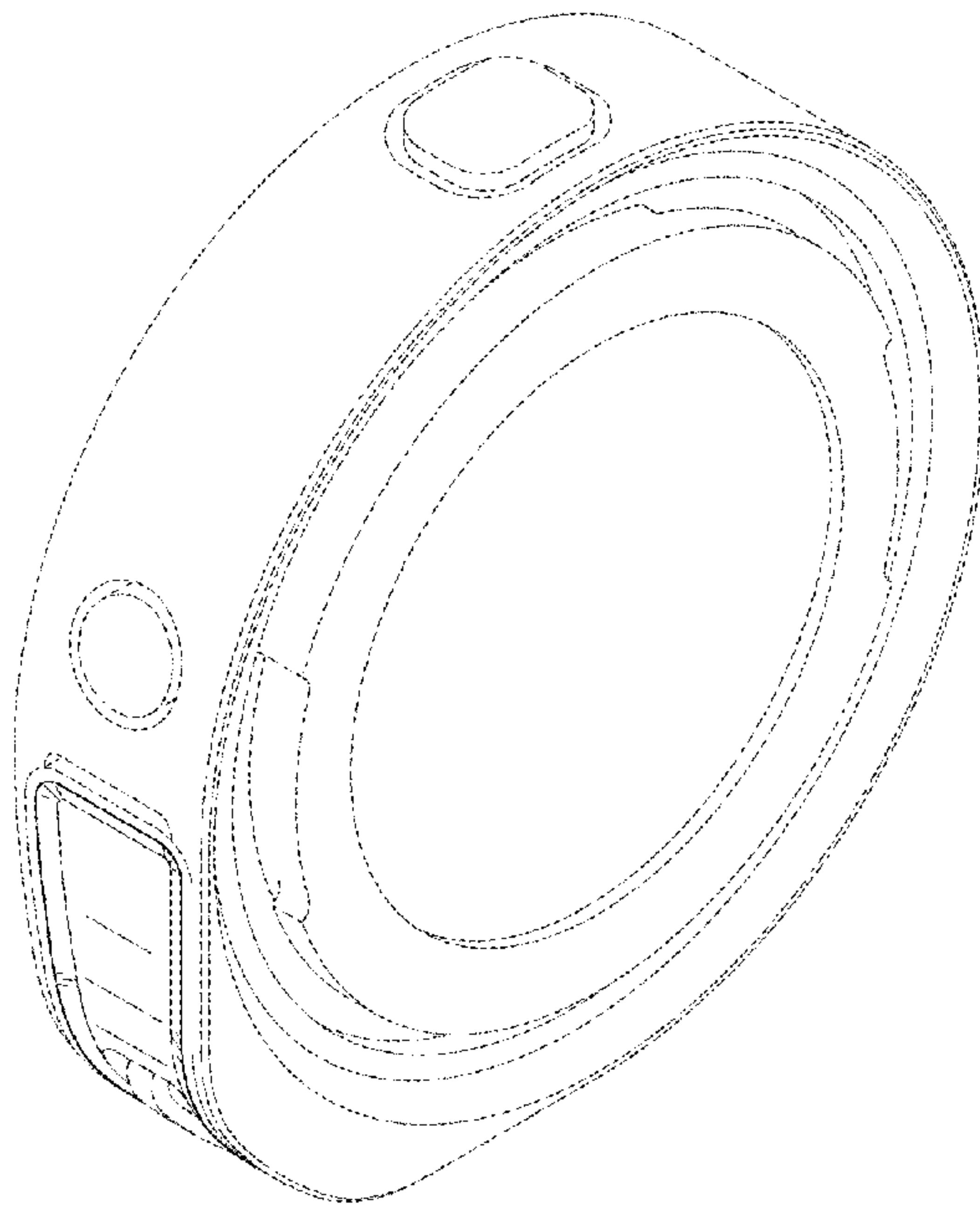


FIG.2

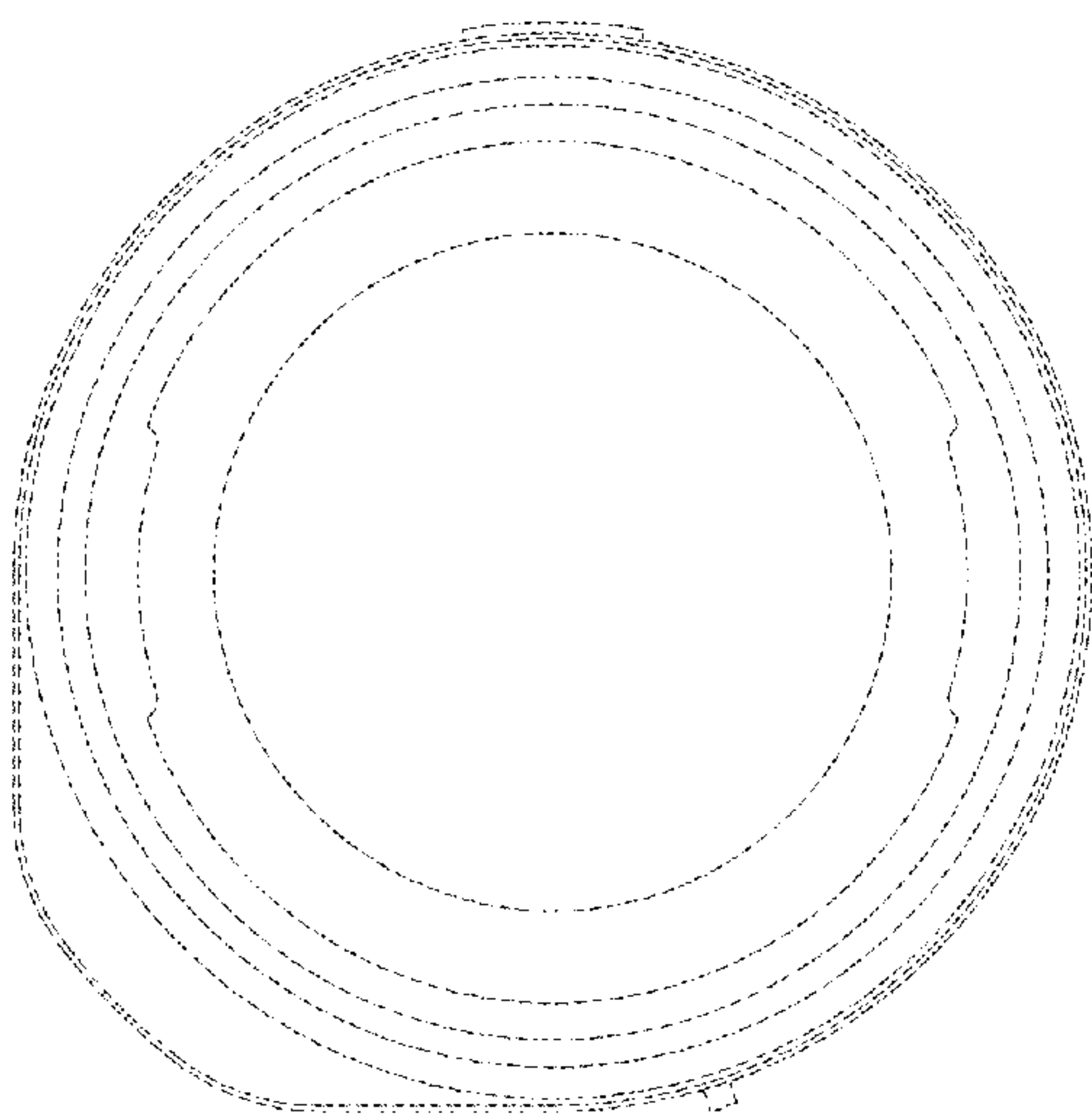


FIG.3

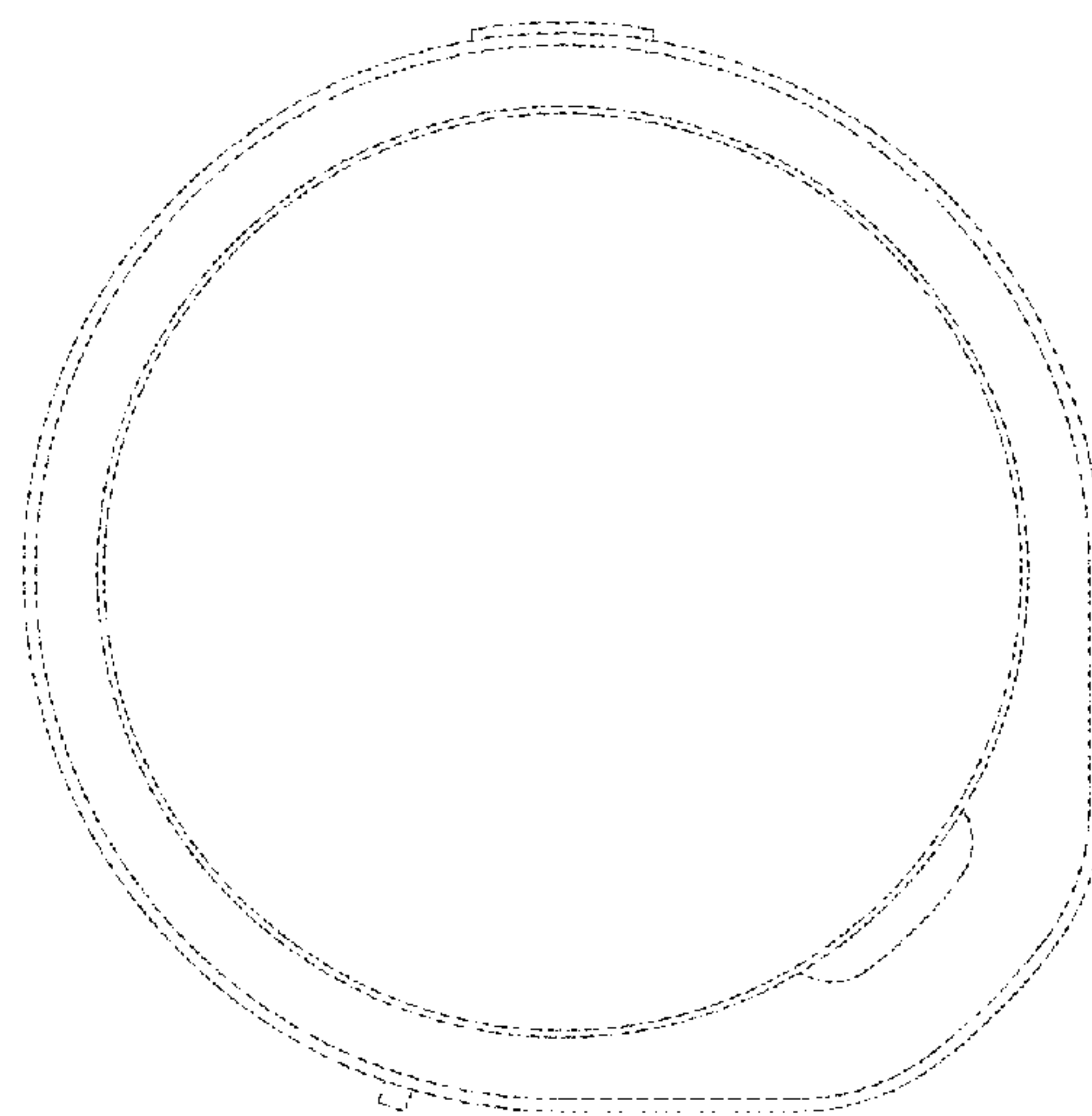


FIG.4

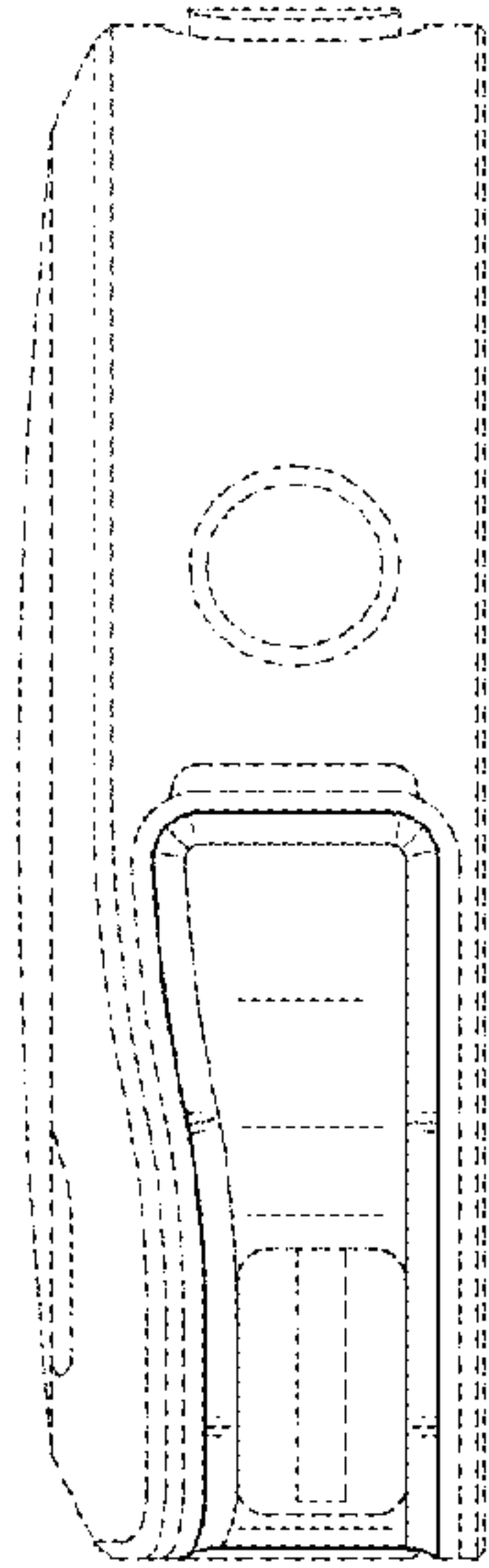


FIG.5

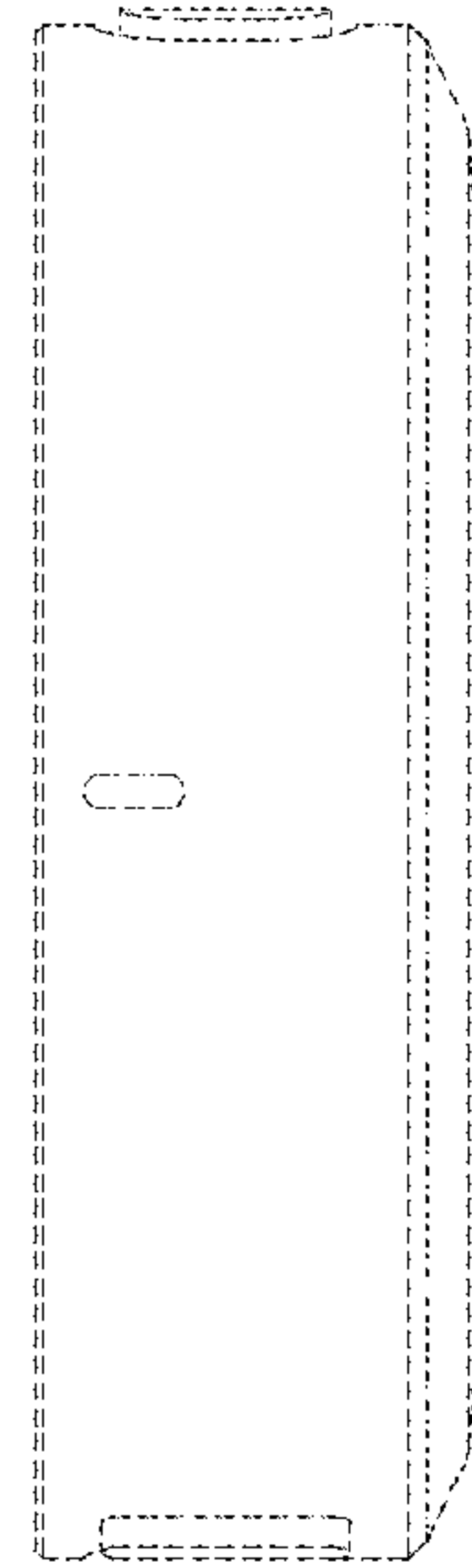


FIG.6

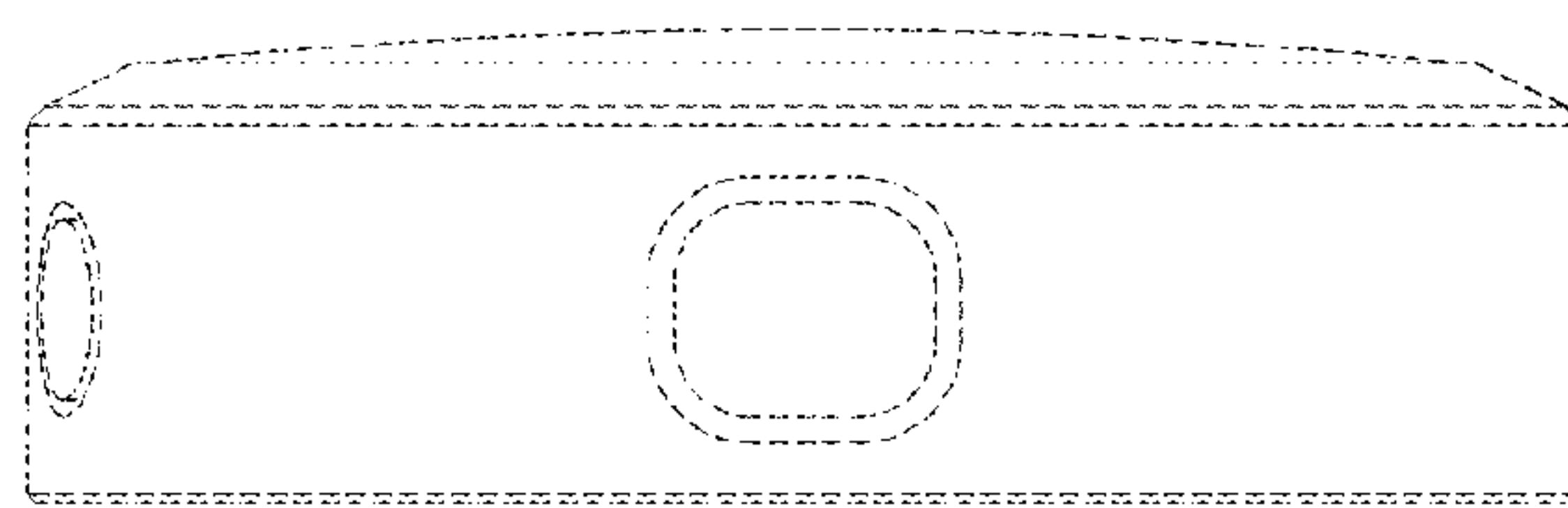


FIG.7

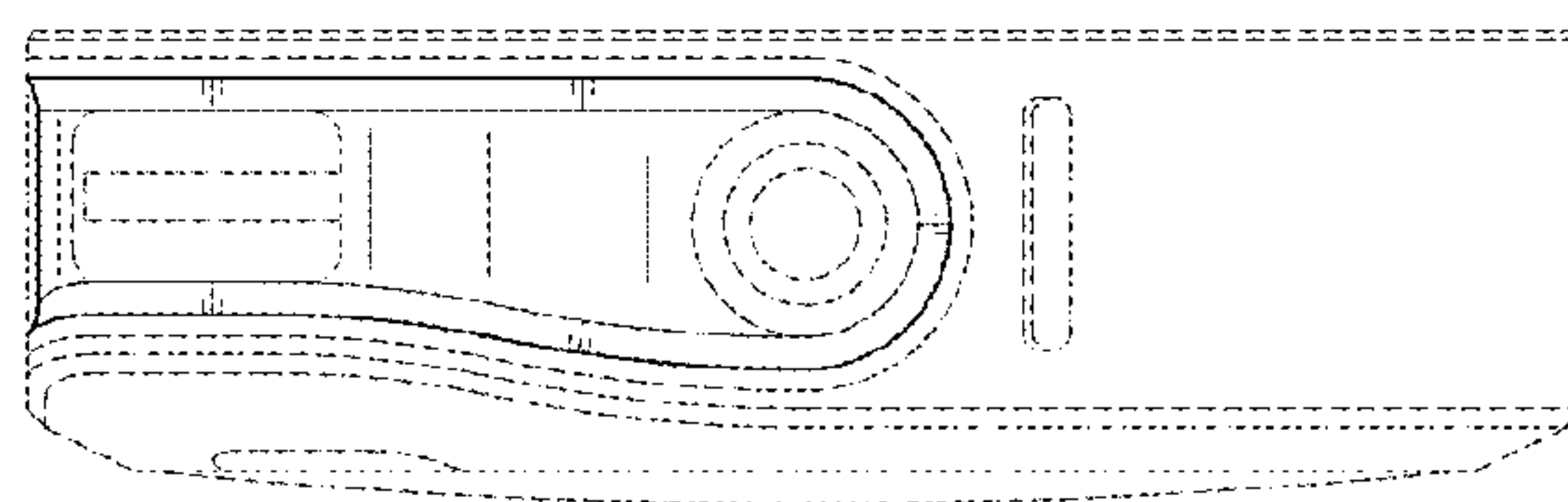


FIG.8

