



US00D728659S

(12) **United States Design Patent**  
**Hayashi**

(10) **Patent No.:** **US D728,659 S**  
(45) **Date of Patent:** **\*\* May 5, 2015**

(54) **DIGITAL CAMERA**

(71) Applicant: **Samsung Electronics Co., Ltd.**,  
Suwon-si (KR)

(72) Inventor: **Haruo Hayashi**, Seoul (KR)

(73) Assignee: **Samsung Electronics Co., Ltd.**,  
Suwon-si (KR)

(\*\*) Term: **14 Years**

(21) Appl. No.: **29/472,735**

(22) Filed: **Nov. 15, 2013**

(30) **Foreign Application Priority Data**

May 16, 2013 (KR) ..... 30-2013-0025774

(51) **LOC (10) Cl.** ..... **16-05**

(52) **U.S. Cl.**  
USPC ..... **D16/219**

(58) **Field of Classification Search**

CPC ..... G03B 15/03; G03B 17/02; G03B 17/04;  
G03B 17/56; G03B 19/04; H04N 5/2251;  
H04N 5/2252; H04N 5/2253; H04N 5/2254;  
H04N 2101/00

USPC ..... D16/200, 202–206, 208, 218, 219, 242;  
348/373–376; 396/535, 539–541

See application file for complete search history.

(56) **References Cited**

**U.S. PATENT DOCUMENTS**

D502,199 S \* 2/2005 Imai ..... D16/202  
D503,417 S \* 3/2005 Kawase ..... D16/202  
D506,767 S \* 6/2005 Imai ..... D16/202  
D548,257 S \* 8/2007 Onuma et al. .... D16/202  
D567,835 S \* 4/2008 Sumita ..... D16/206  
D581,440 S \* 11/2008 Nakamura ..... D16/202  
D594,892 S \* 6/2009 Kamiya et al. .... D16/202  
D611,976 S \* 3/2010 Kim et al. .... D16/202

D620,036 S \* 7/2010 Obata ..... D16/202  
D627,812 S \* 11/2010 Oikawa et al. .... D16/202  
8,009,228 B2 \* 8/2011 Kimura et al. .... 348/374  
D663,345 S \* 7/2012 Tanifuji ..... D16/219

\* cited by examiner

*Primary Examiner* — Adir Aronovich

*Assistant Examiner* — Ramzi Almatrahi

(74) *Attorney, Agent, or Firm* — NSIP Law

(57) **CLAIM**

The ornamental design for a digital camera, as shown and described.

**DESCRIPTION**

FIG. 1 is a rear perspective view of a digital camera showing my new design;

FIG. 2 is a front view thereof;

FIG. 3 is a rear view thereof;

FIG. 4 is a left-side view thereof;

FIG. 5 is a right-side view thereof;

FIG. 6 is a top view thereof;

FIG. 7 is a bottom view thereof;

FIG. 8 is an enlarged view of the encircled portion as shown in FIG. 1;

FIG. 9 is an enlarged view of the encircled portion located at the top right side of FIG. 2;

FIG. 10 is an enlarged view of the encircled portion located at the bottom center of FIG. 2; and,

FIG. 11 is an enlarged view of the encircled portion as shown in FIG. 3.

The broken lines depict portions of a digital camera in which the design is embodied and form no part of the claimed design.

The dot-dash broken lines encircling portions of the claimed design that are illustrated in enlargements form no part of the claimed design.

**1 Claim, 6 Drawing Sheets**

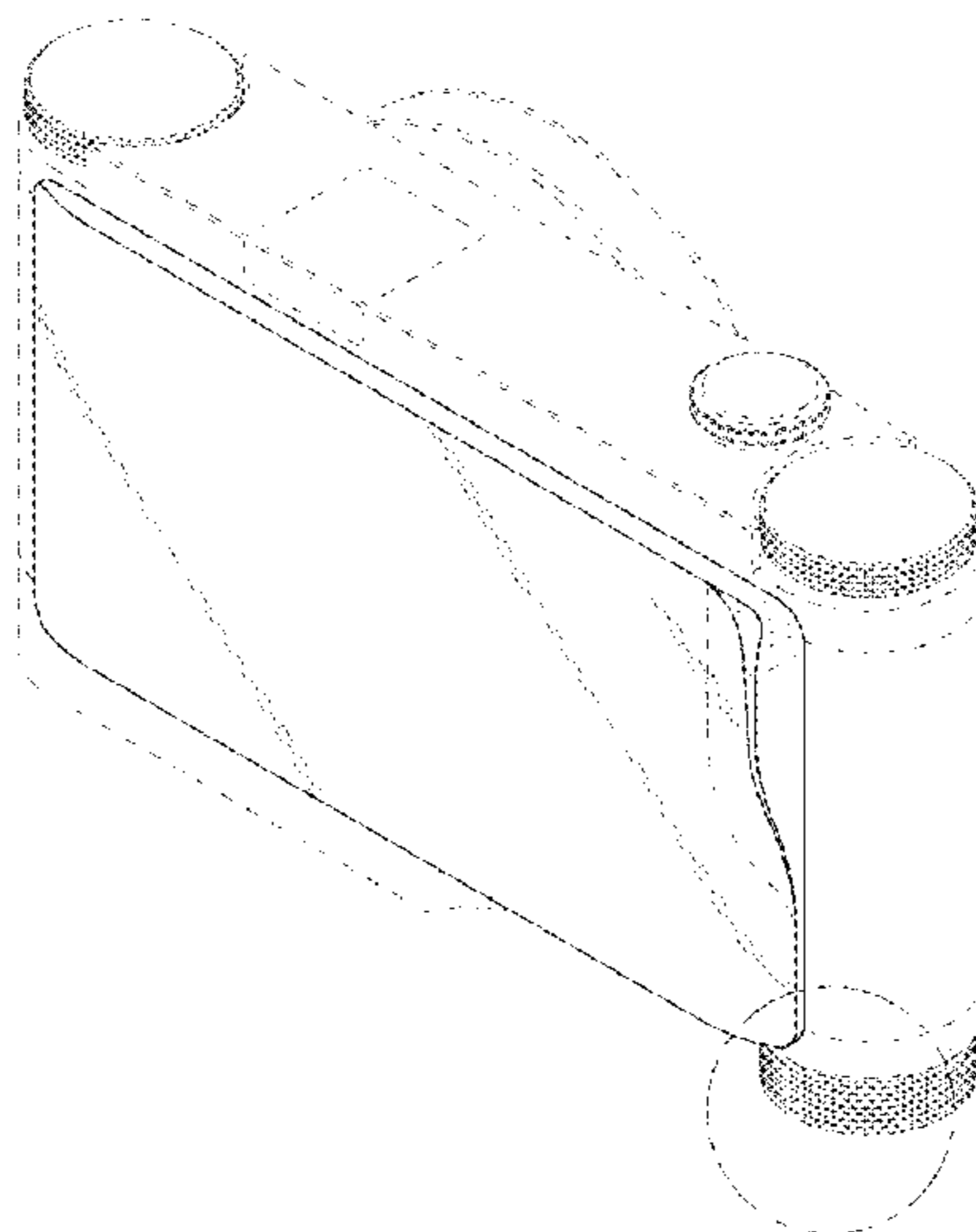


FIG. 1

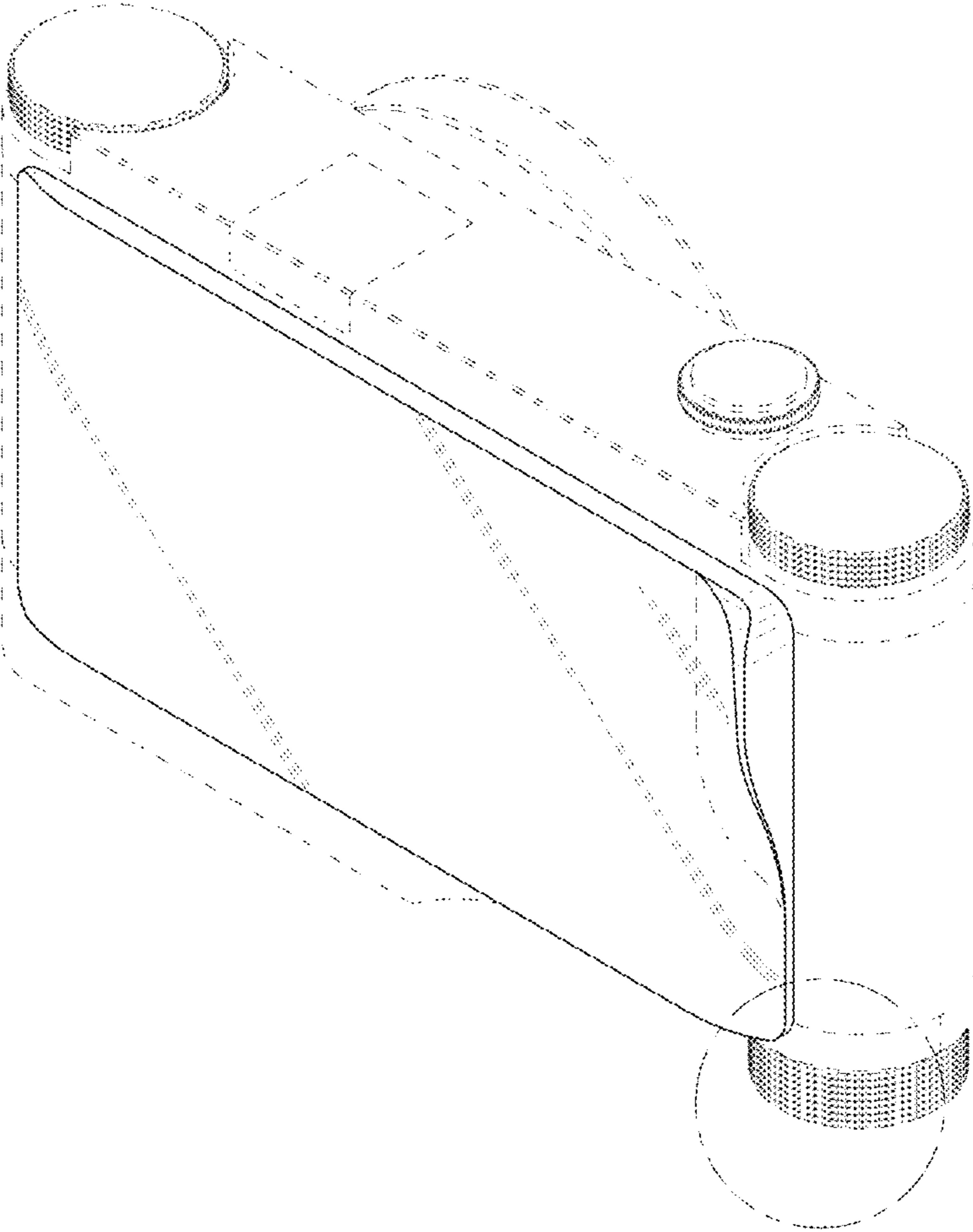


FIG.2

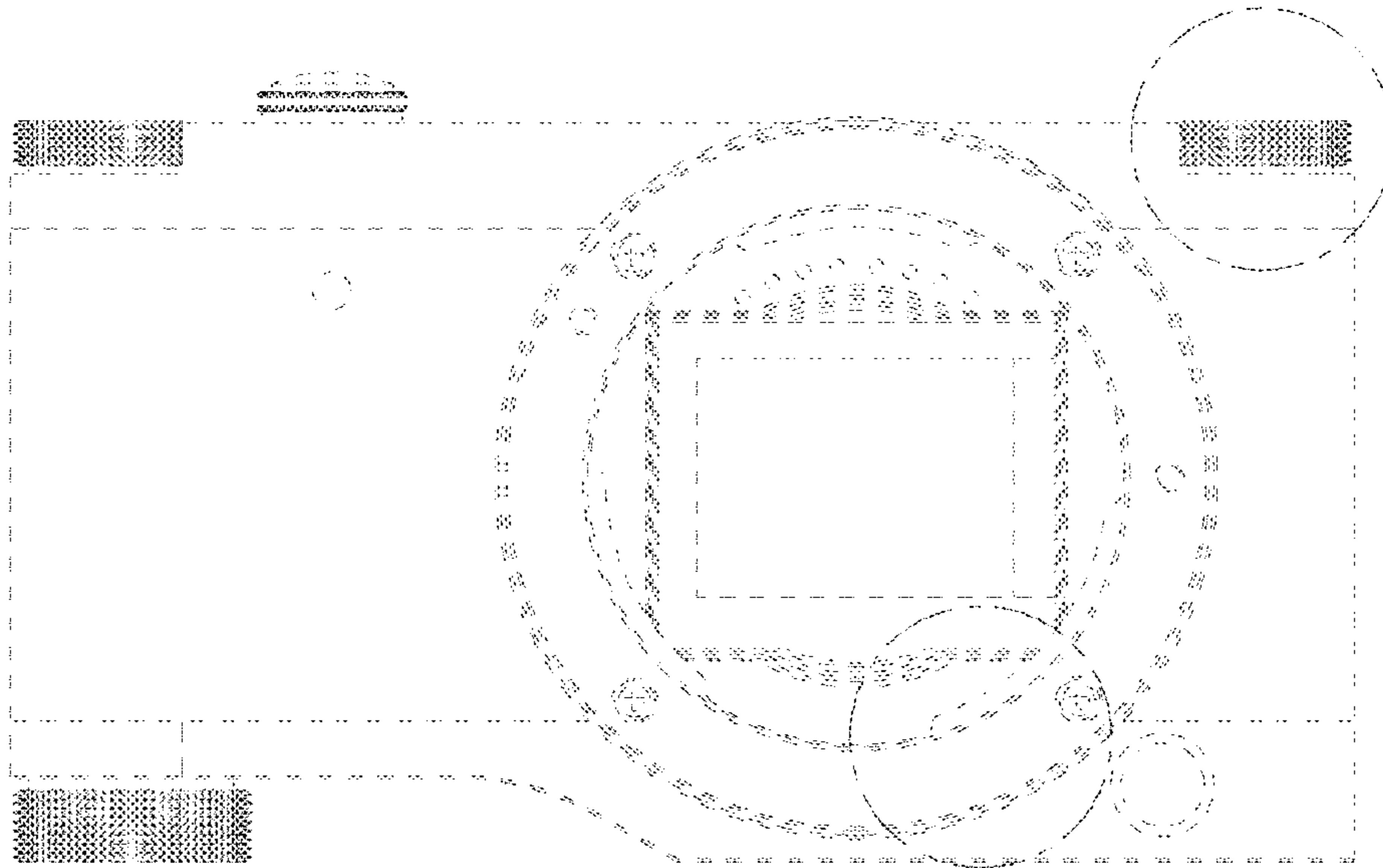


FIG.3

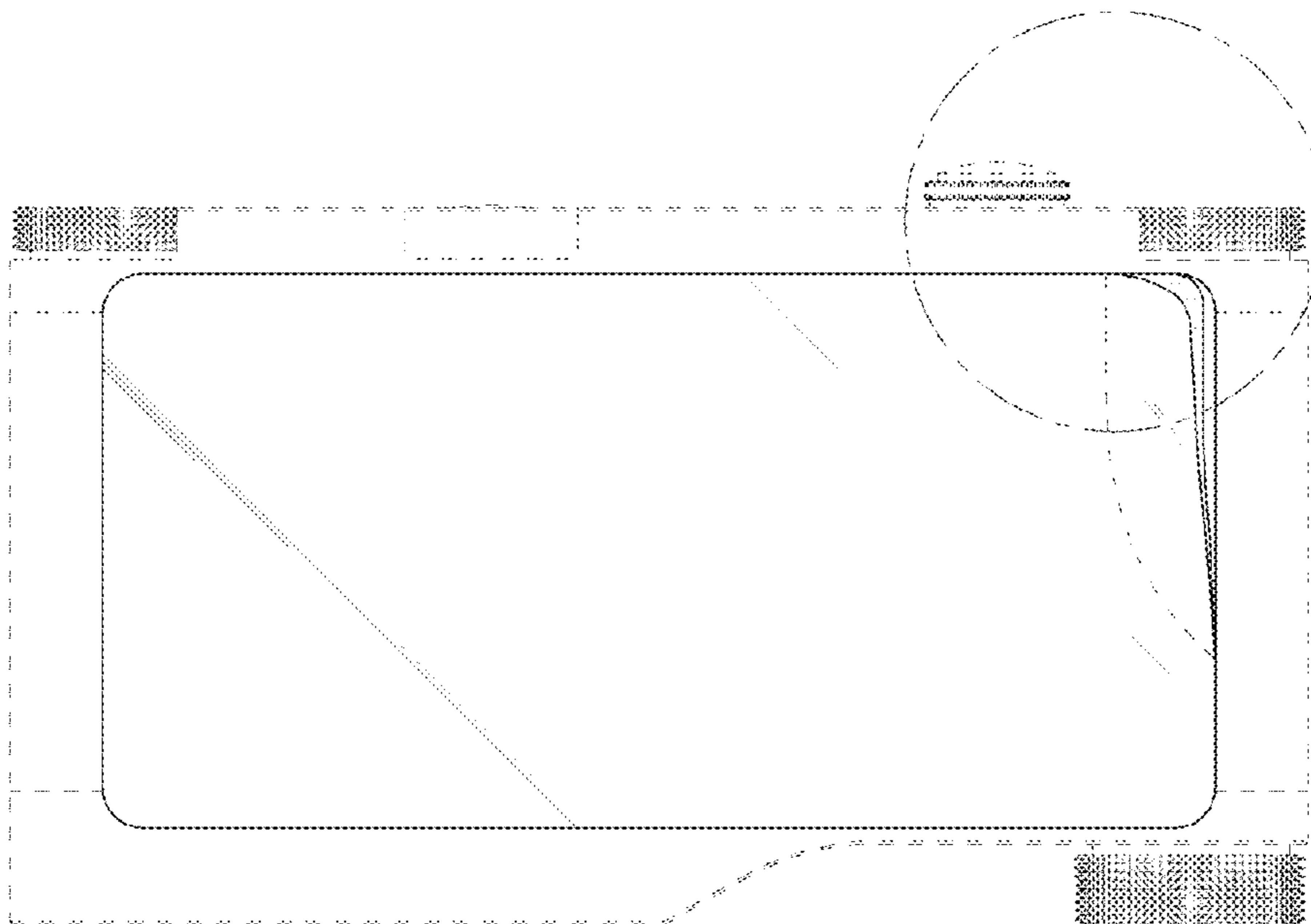


FIG. 4

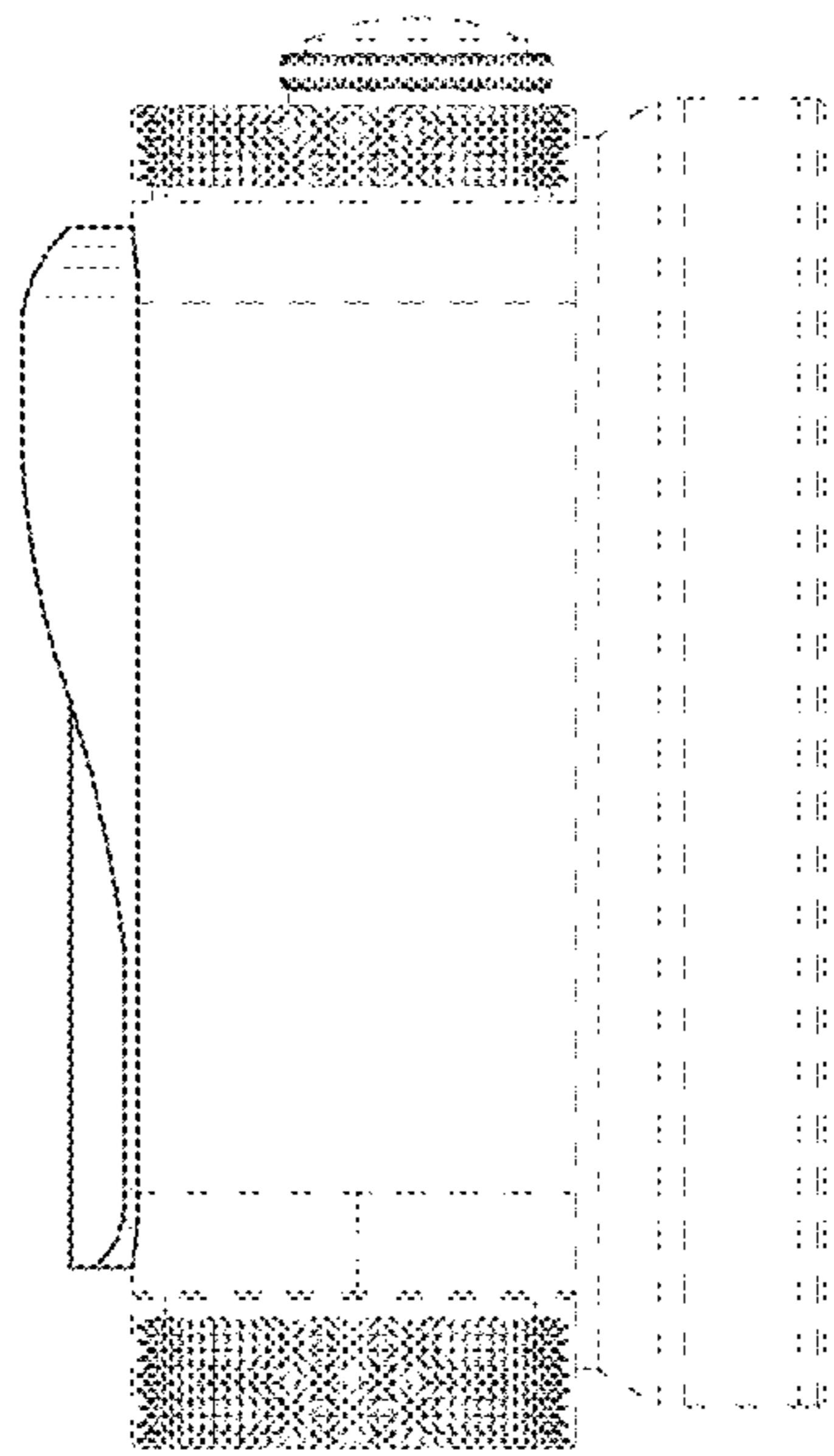


FIG. 5

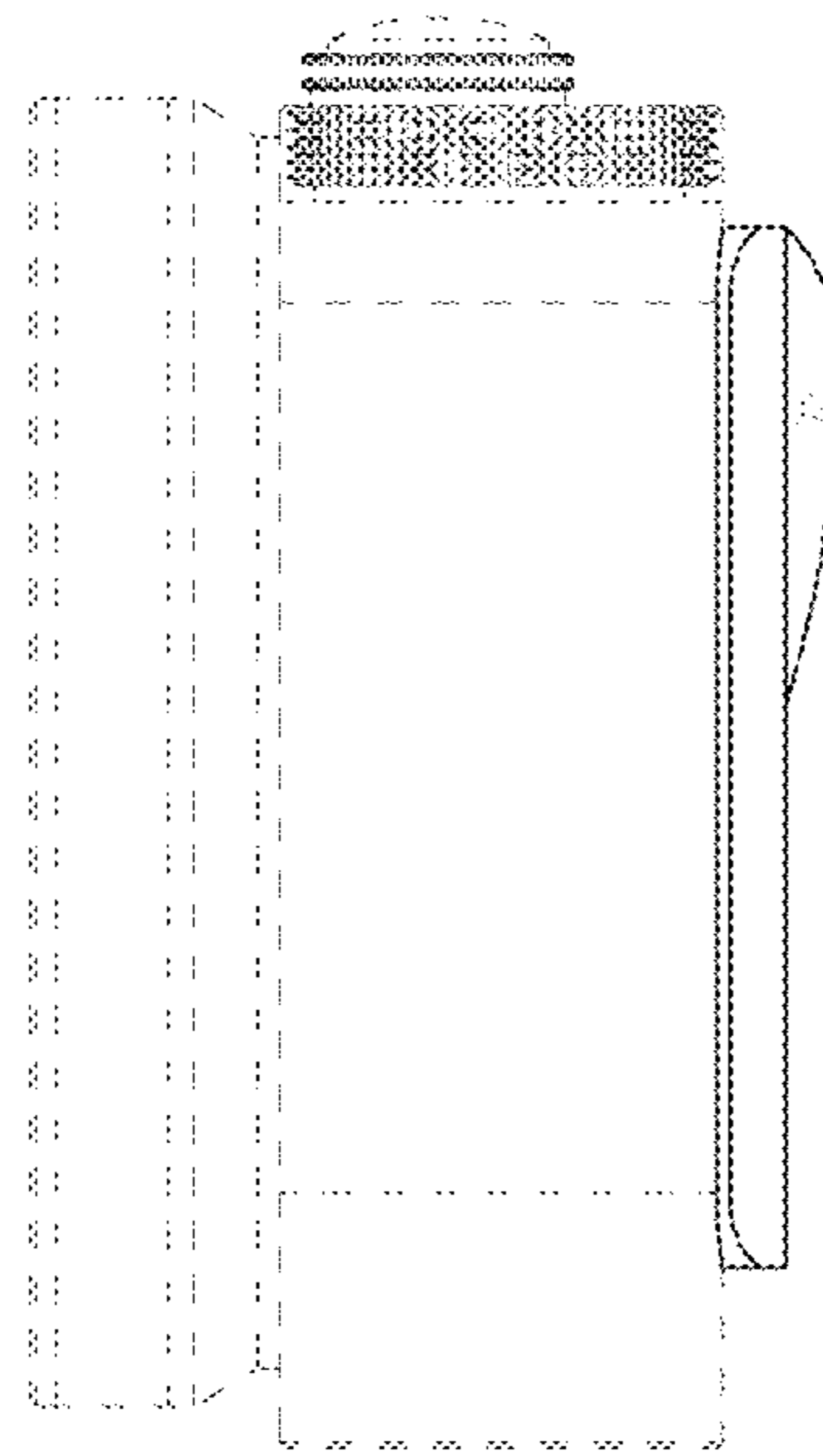


FIG. 6

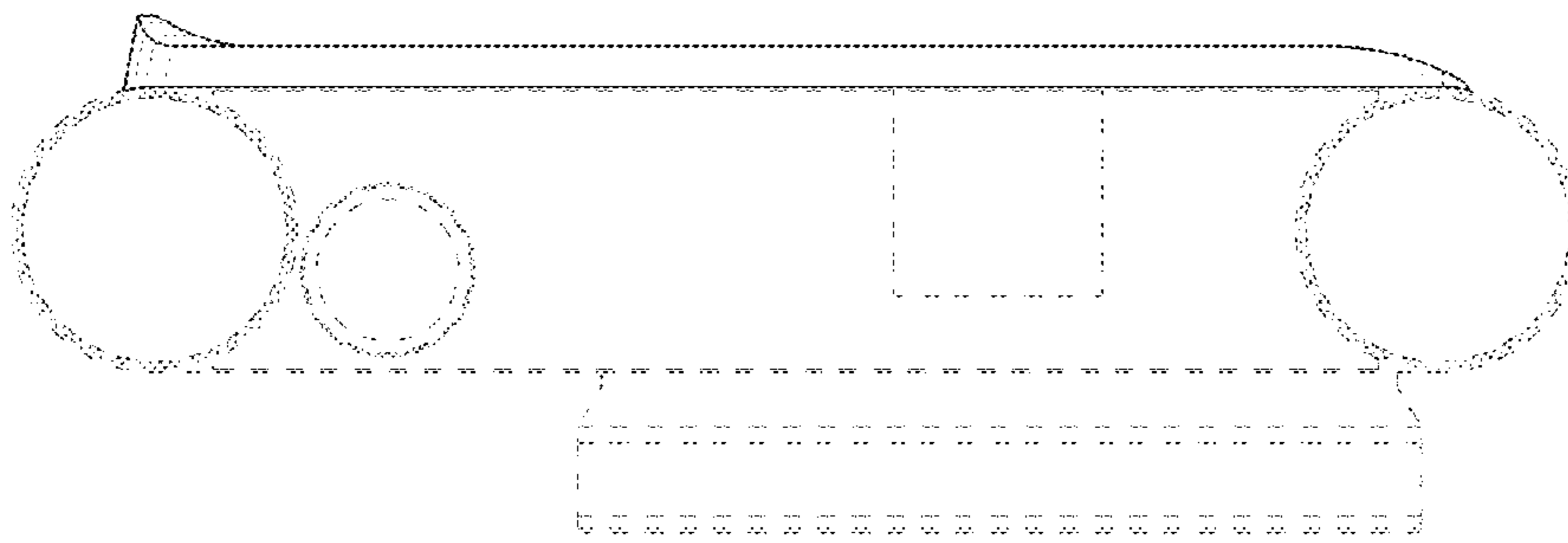


FIG. 7

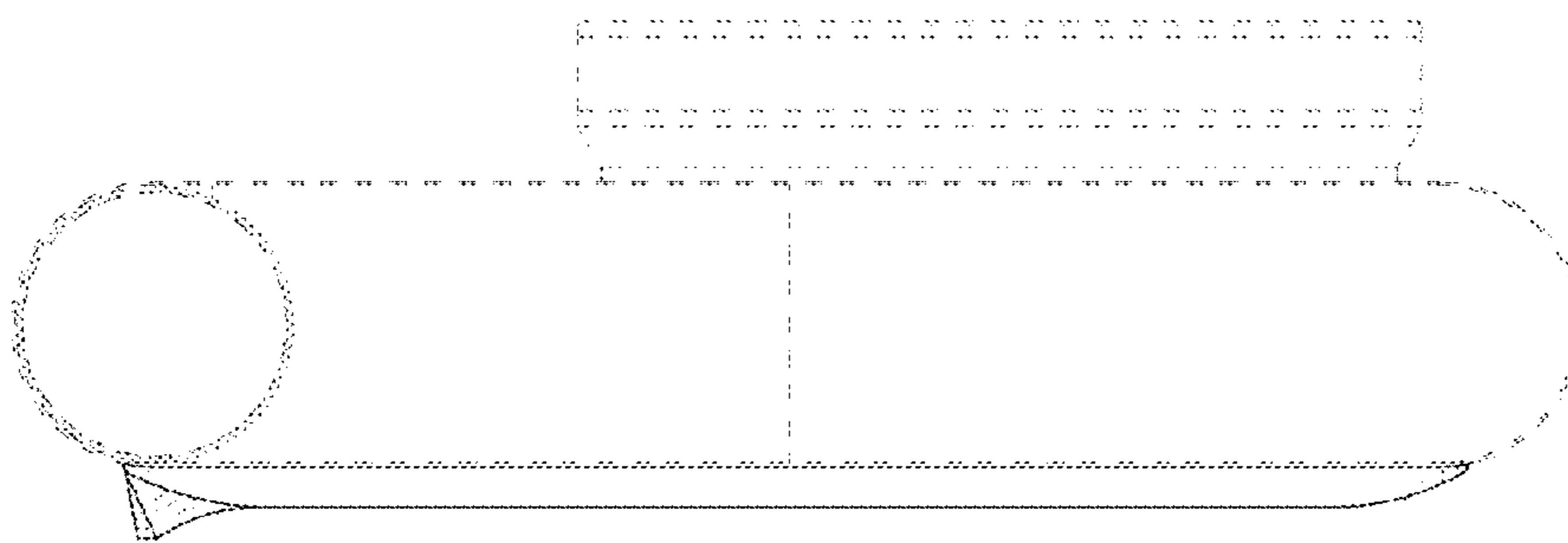


FIG. 8

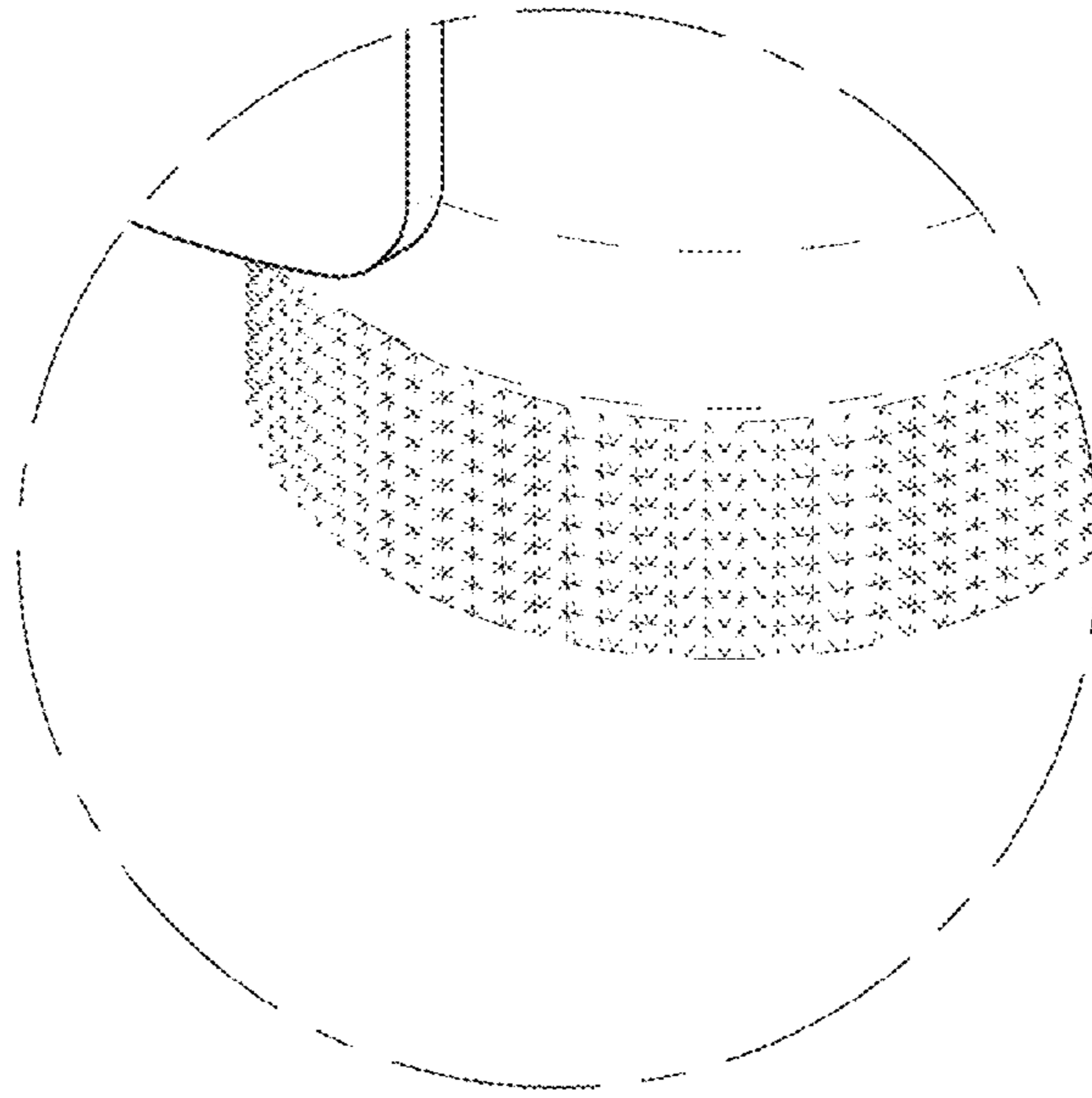


FIG. 9

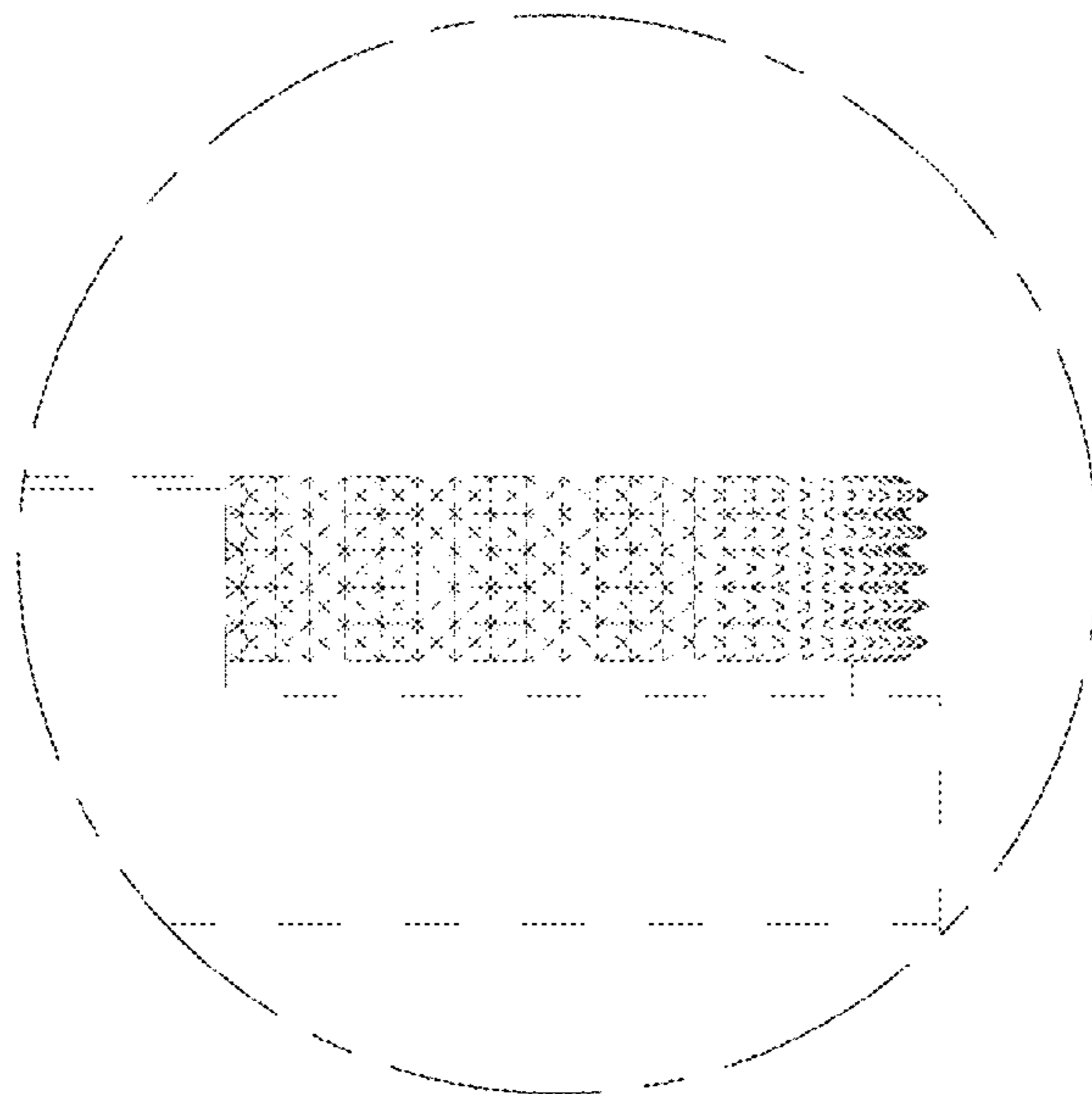


FIG. 10

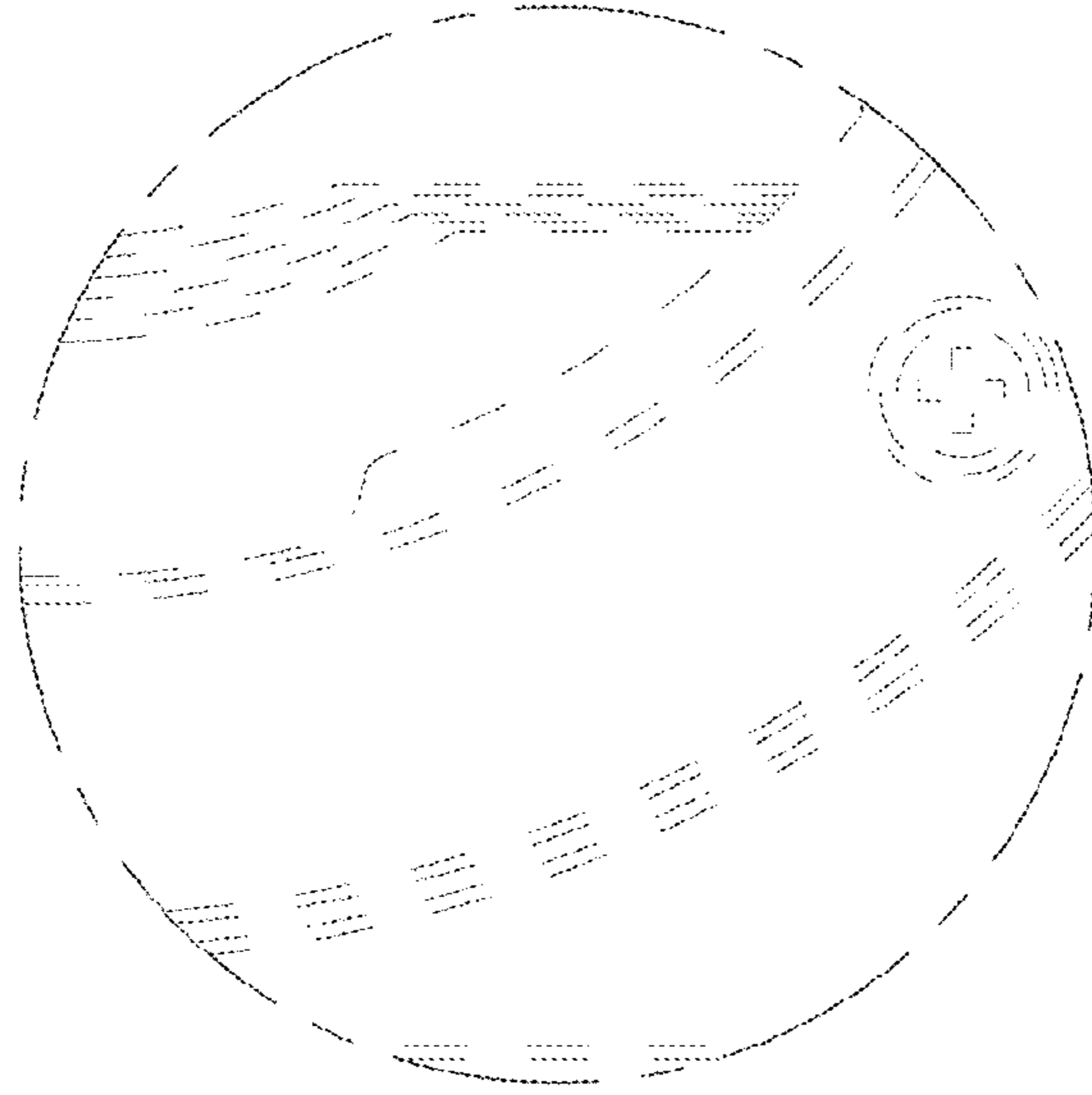


FIG. 11

