



US00D728656S

(12) **United States Design Patent**
Goldenberg et al.

(10) **Patent No.:** **US D728,656 S**

(45) **Date of Patent:** **** May 5, 2015**

(54) **VIDEO MAGNIFIER CAMERA WITH HANDLE**

(71) Applicant: **Freedom Scientific, Inc.**, St. Petersburg, FL (US)

(72) Inventors: **Michael Goldenberg**, Melbourne, FL (US); **Thomas William Murray**, Philadelphia, PA (US); **Robert Leon**, Miami, FL (US)

(73) Assignee: **Freedom Scientific, Inc.**, St. Petersburg, FL (US)

(**) Term: **14 Years**

(21) Appl. No.: **29/480,793**

(22) Filed: **Jan. 29, 2014**

(51) **LOC (10) Cl.** **16-01**

(52) **U.S. Cl.**
USPC **D16/208; D16/232**

(58) **Field of Classification Search**

CPC G03B 15/03; G03B 17/02; G03B 17/04;
G03B 17/56; G03B 19/04; G03B 17/48;
G03B 17/06; H04N 5/2251; H04N 5/2252;
H04N 5/2253; H04N 5/2254
USPC D16/135, 200, 202-204, 208, 211, 218,
D16/219, 221, 225, 229, 232, 242;
D14/423; 348/373-376; 396/428, 535,
396/539-541

See application file for complete search history.

(56) **References Cited**

U.S. PATENT DOCUMENTS

D422,571 S * 4/2000 Sakata et al. D14/423
D430,189 S * 8/2000 Rodriguez, Jr. D16/221
6,317,155 B1 * 11/2001 Ohyama 348/373

D454,570 S * 3/2002 Adachi et al. D14/423
D494,995 S * 8/2004 Kim et al. D16/232
D497,914 S * 11/2004 Adachi et al. D14/423
D542,795 S * 5/2007 Sukenari et al. D14/423
D580,962 S * 11/2008 Sukenari et al. D16/232
D664,584 S * 7/2012 Turpault et al. D16/225
D678,383 S * 3/2013 Park et al. D16/232
2006/0077286 A1 * 4/2006 Wenderski 348/373
2007/0279519 A1 * 12/2007 Sukenari et al. 348/373
2014/0160350 A1 * 6/2014 Takabatake et al. 348/376

* cited by examiner

Primary Examiner — Adir Aronovich

Assistant Examiner — Ramzi Almatrahi

(74) *Attorney, Agent, or Firm* — GrayRobinson P.A.;
Michael J. Colitz, III

(57) **CLAIM**

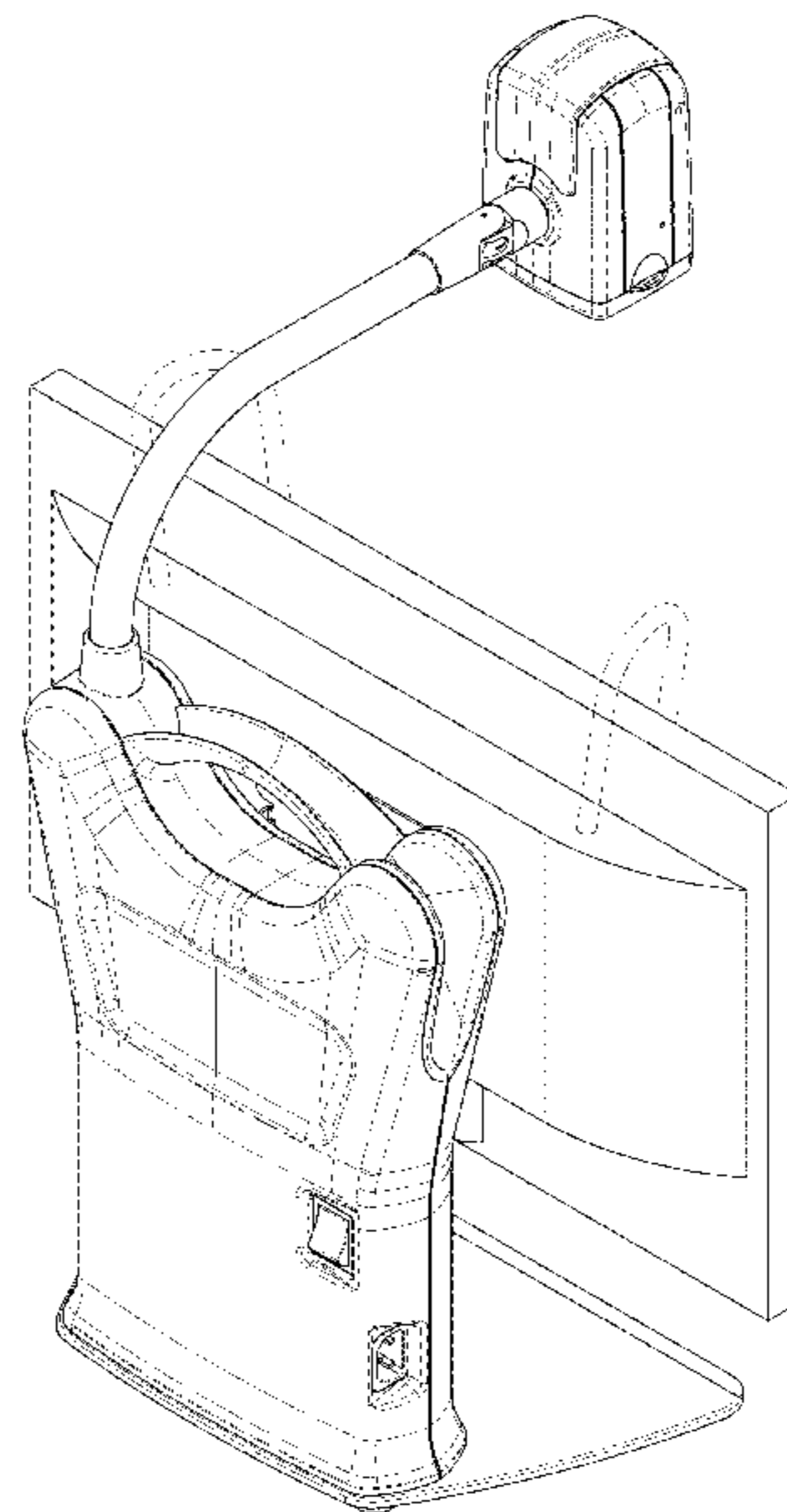
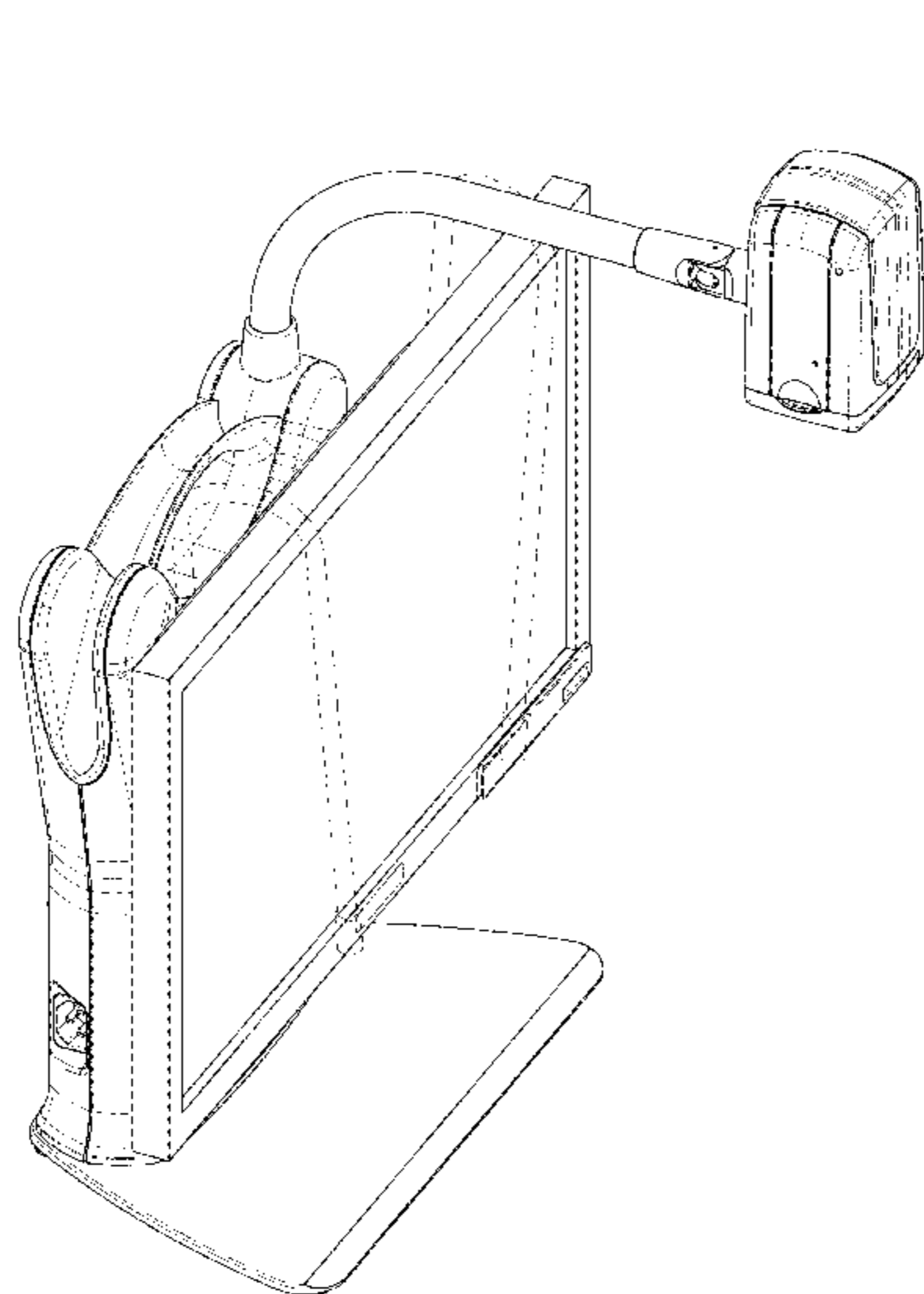
The ornamental design for a video magnifier camera with handle, as shown and described.

DESCRIPTION

FIG. 1 is a front perspective view of a video magnifier camera with handle, shown in an extended position;
FIG. 2 is a rear perspective view thereof;
FIG. 3 is a front elevational view thereof;
FIG. 4 is a rear elevational view thereof;
FIG. 5 is a right side elevational view thereof;
FIG. 6 is a left side elevational view thereof;
FIG. 7 is a top plan view thereof;
FIG. 8 is a bottom plan view thereof;
FIG. 9 is a front perspective view of a video magnifier camera with handle, shown in a collapsed position; and,
FIG. 10 is a rear perspective view thereof.

The broken lines in the drawings are included for the purpose of illustrating environmental subject matter and form no part of the claimed design.

1 Claim, 10 Drawing Sheets



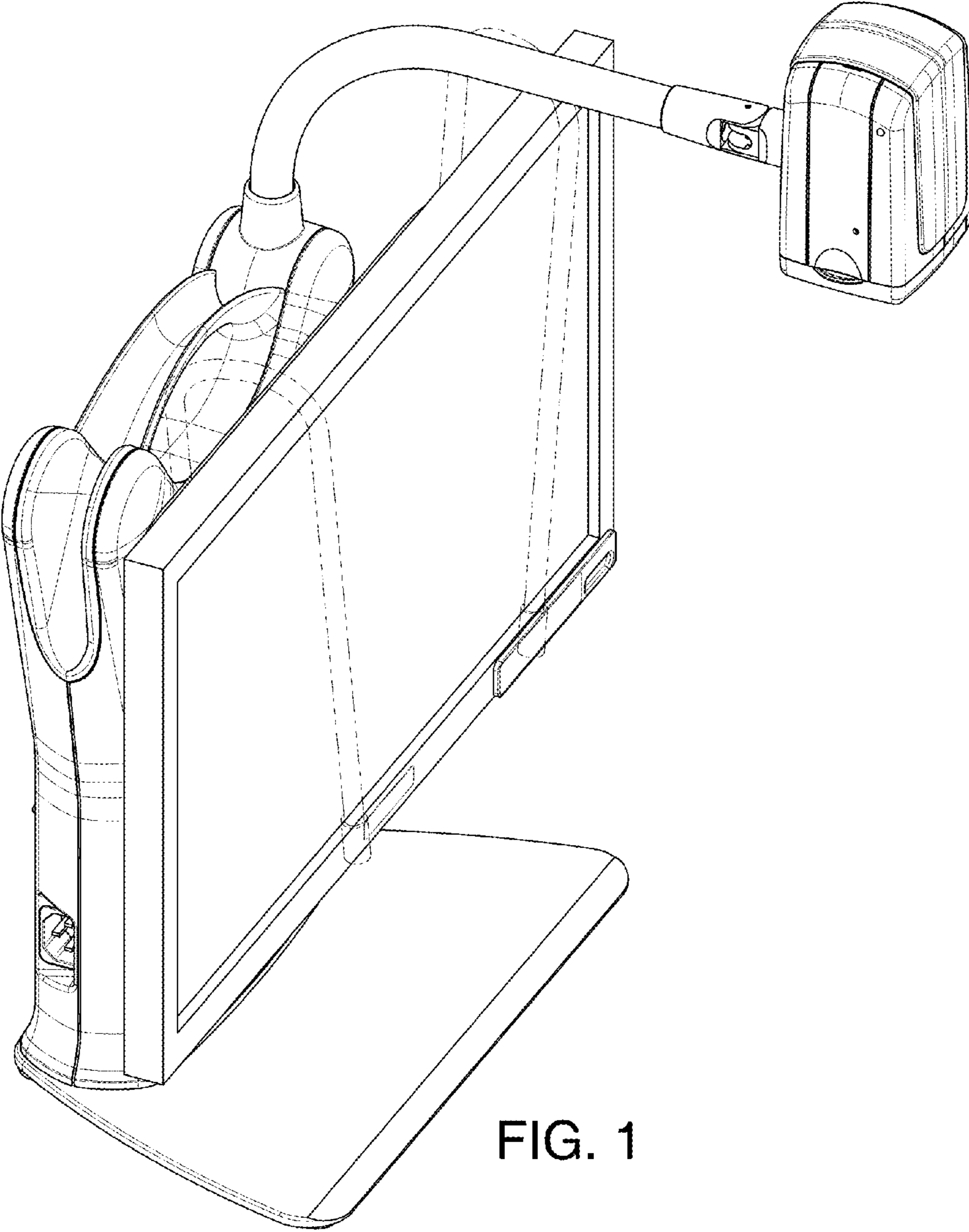


FIG. 1

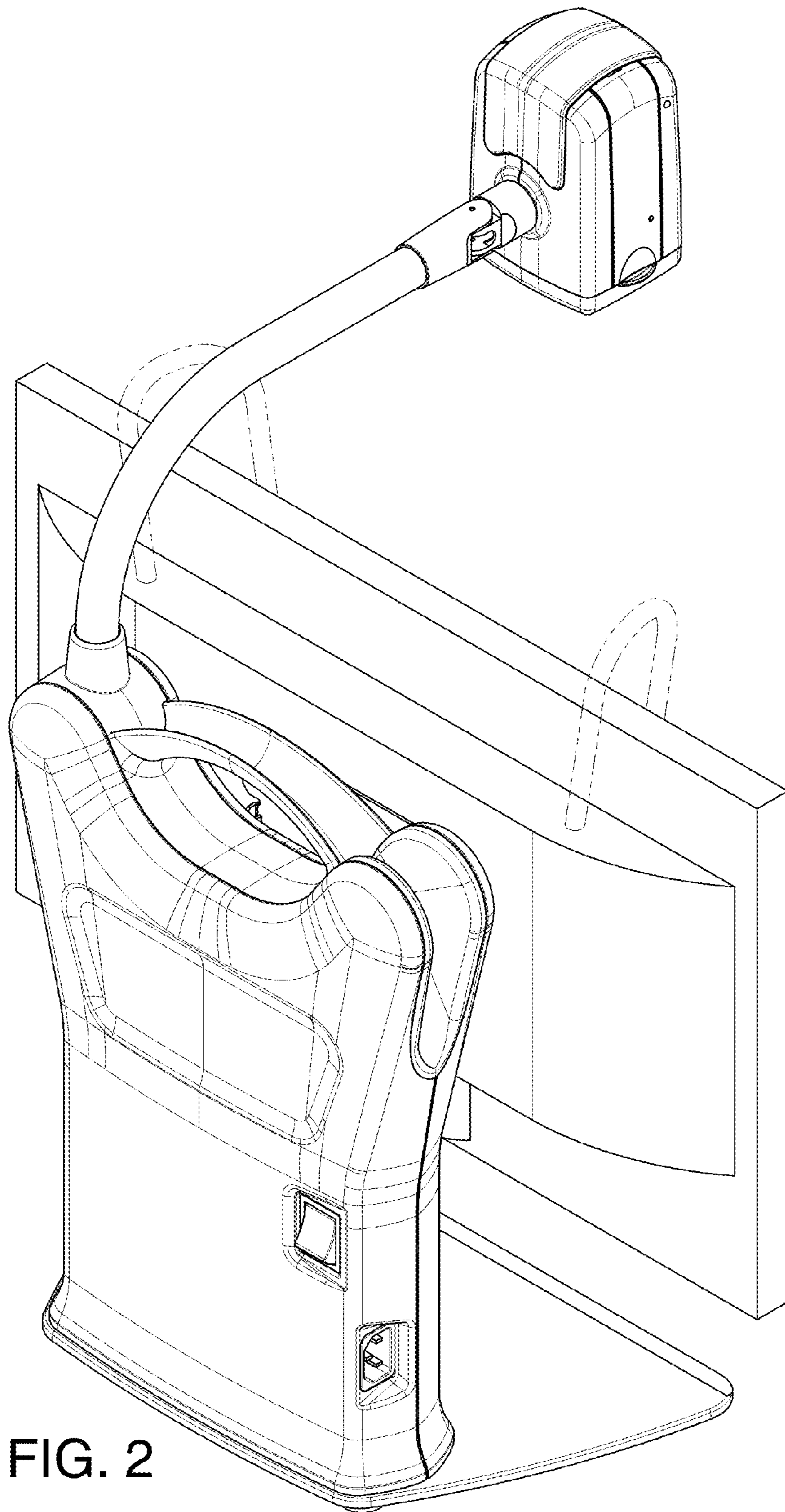


FIG. 2

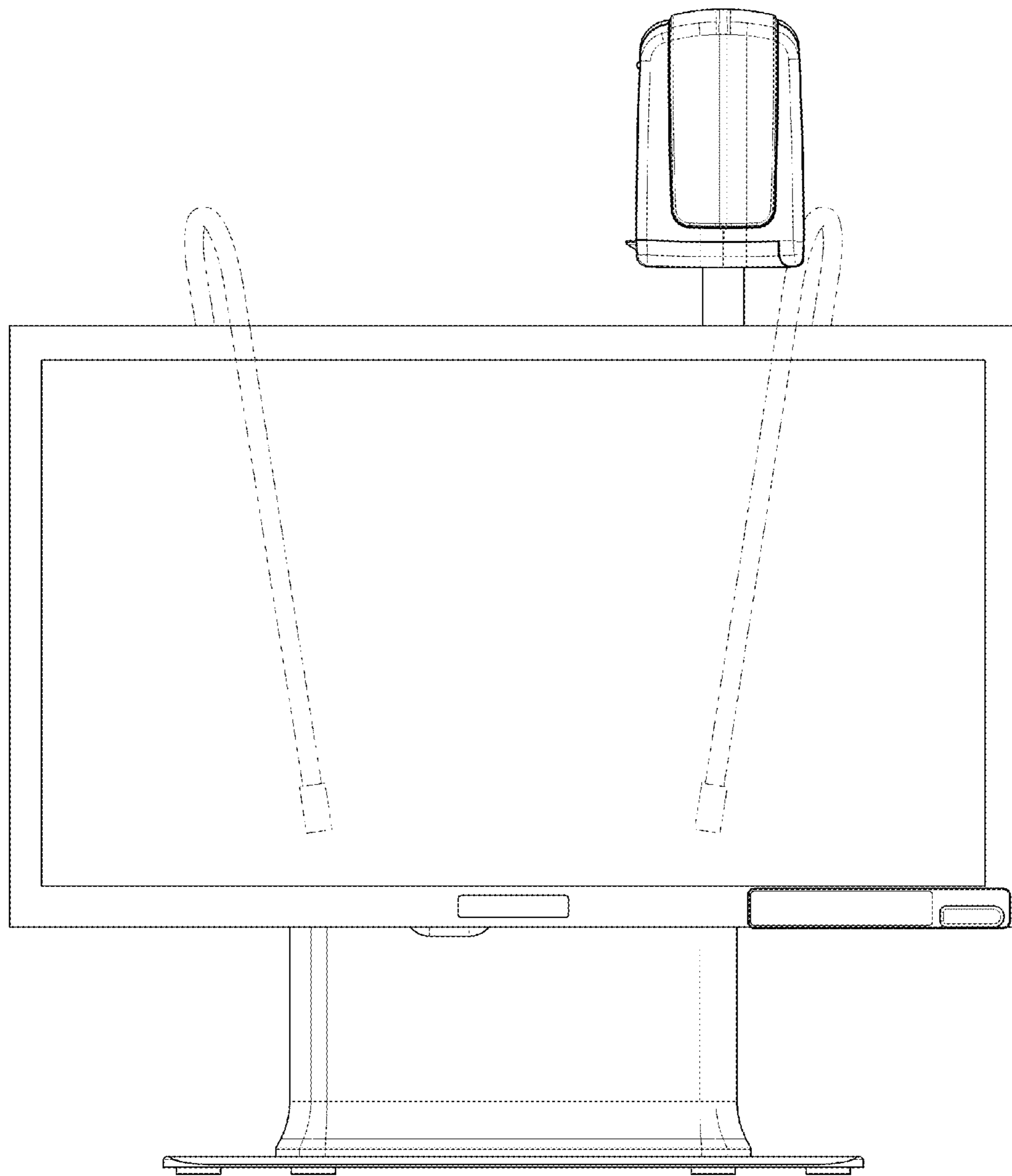


FIG. 3

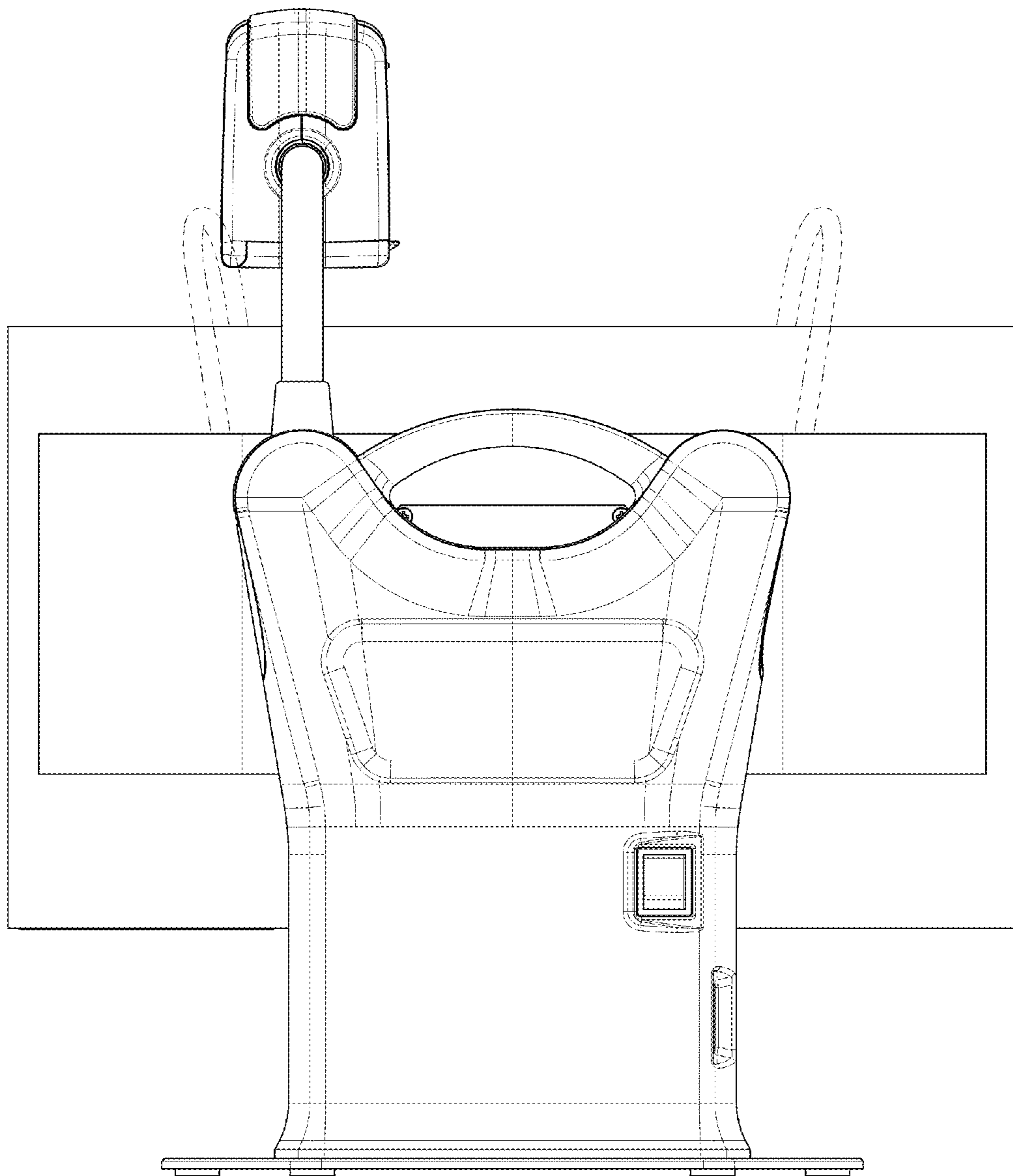


FIG. 4

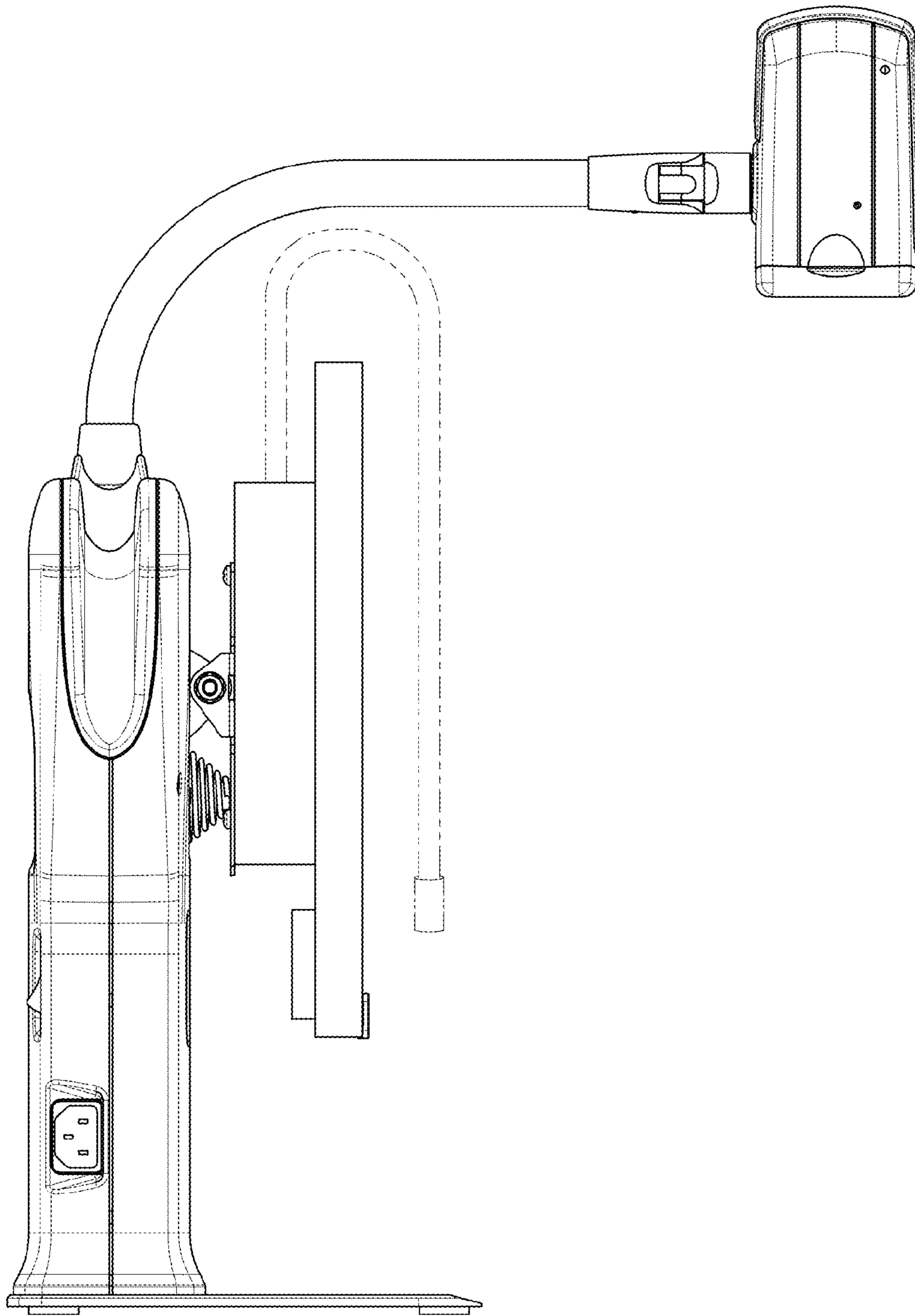


FIG. 5

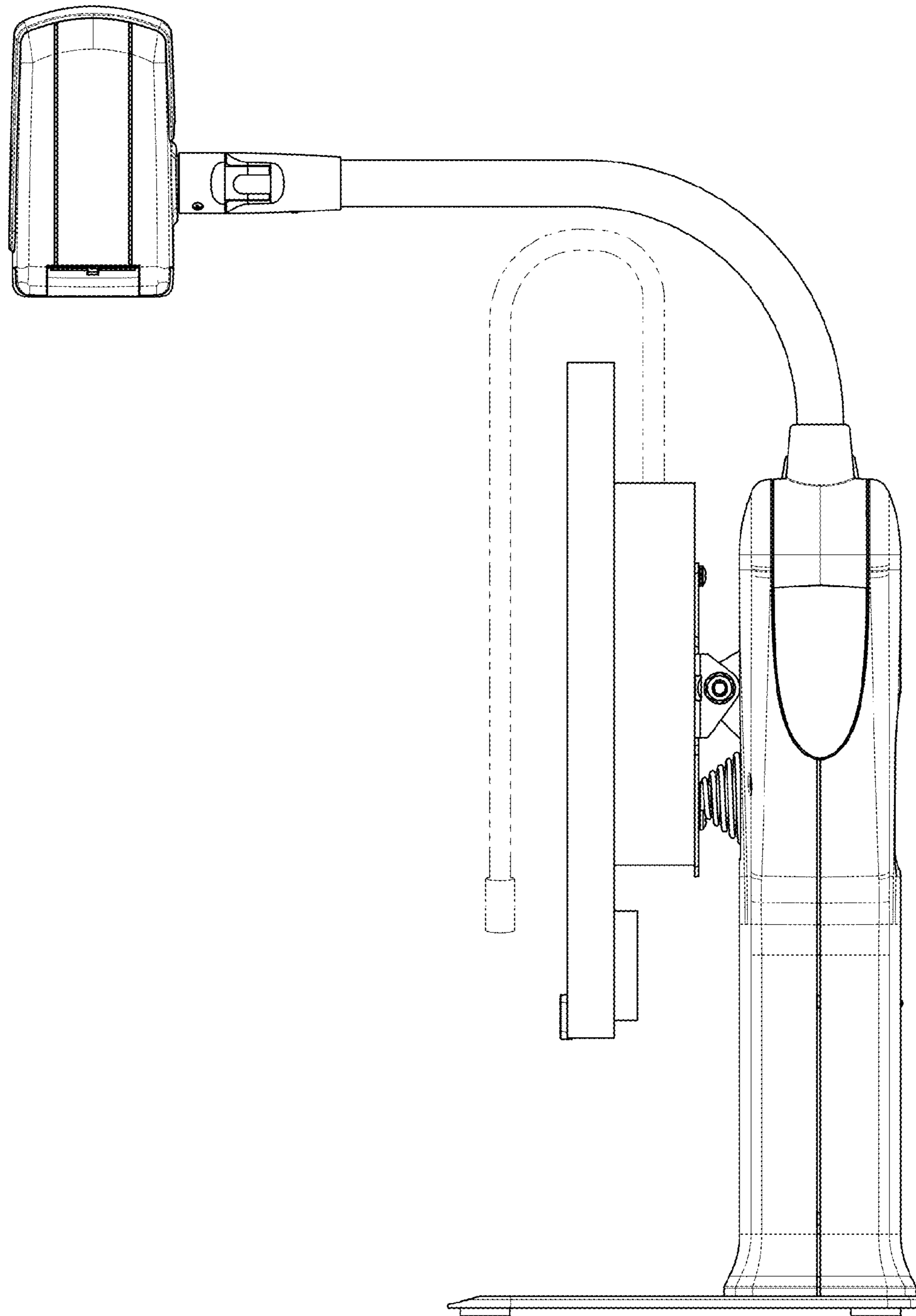


FIG. 6

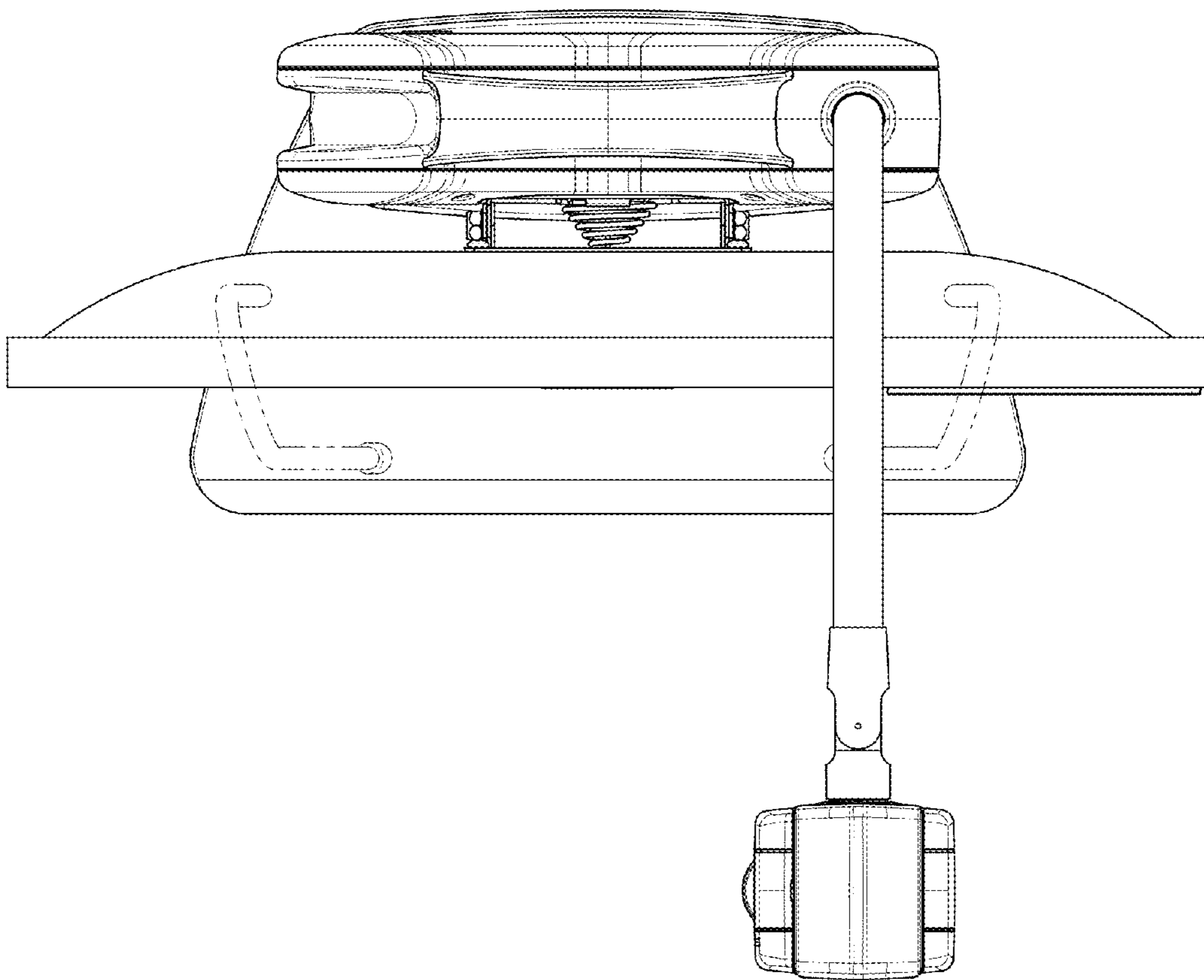


FIG. 7

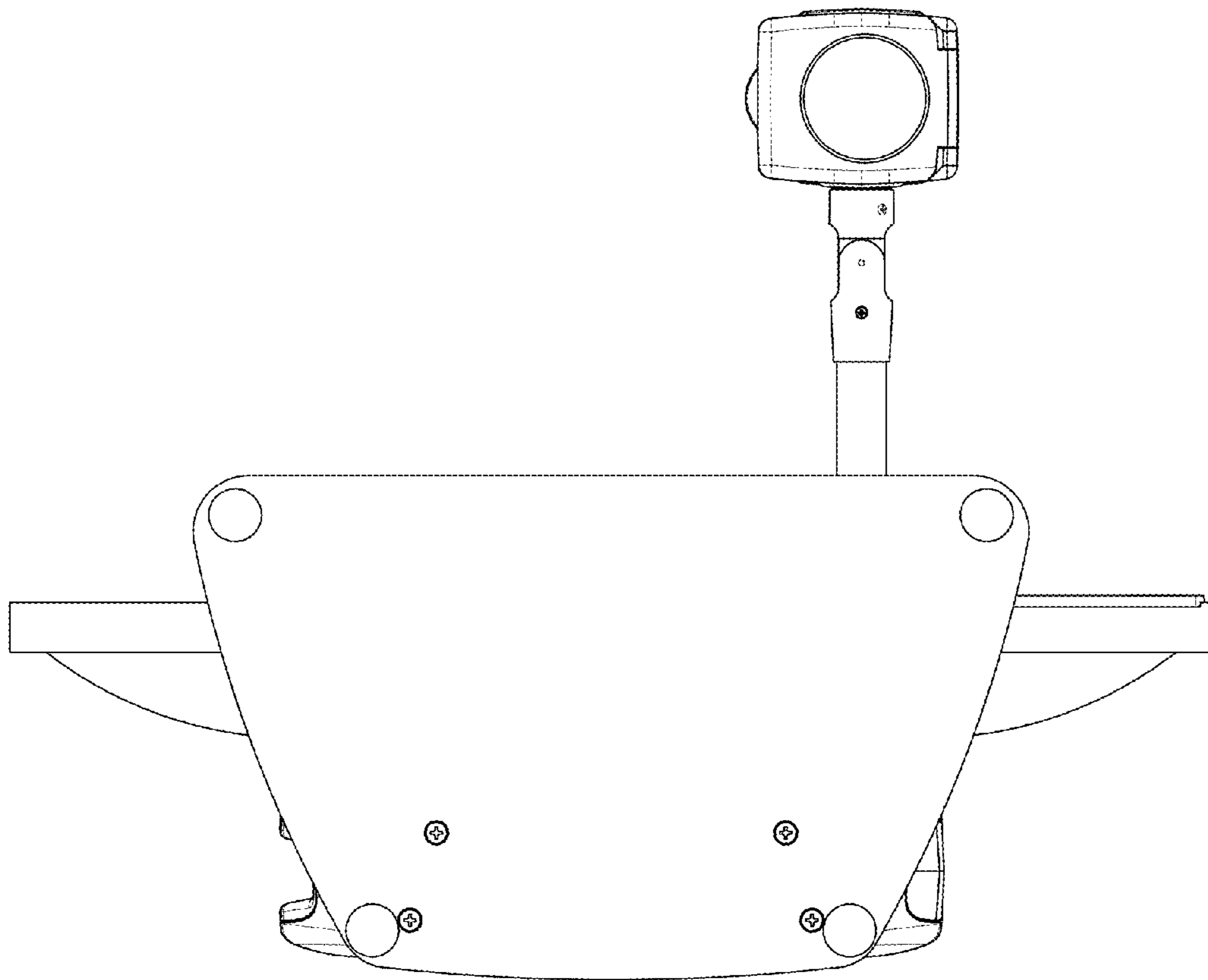


FIG. 8

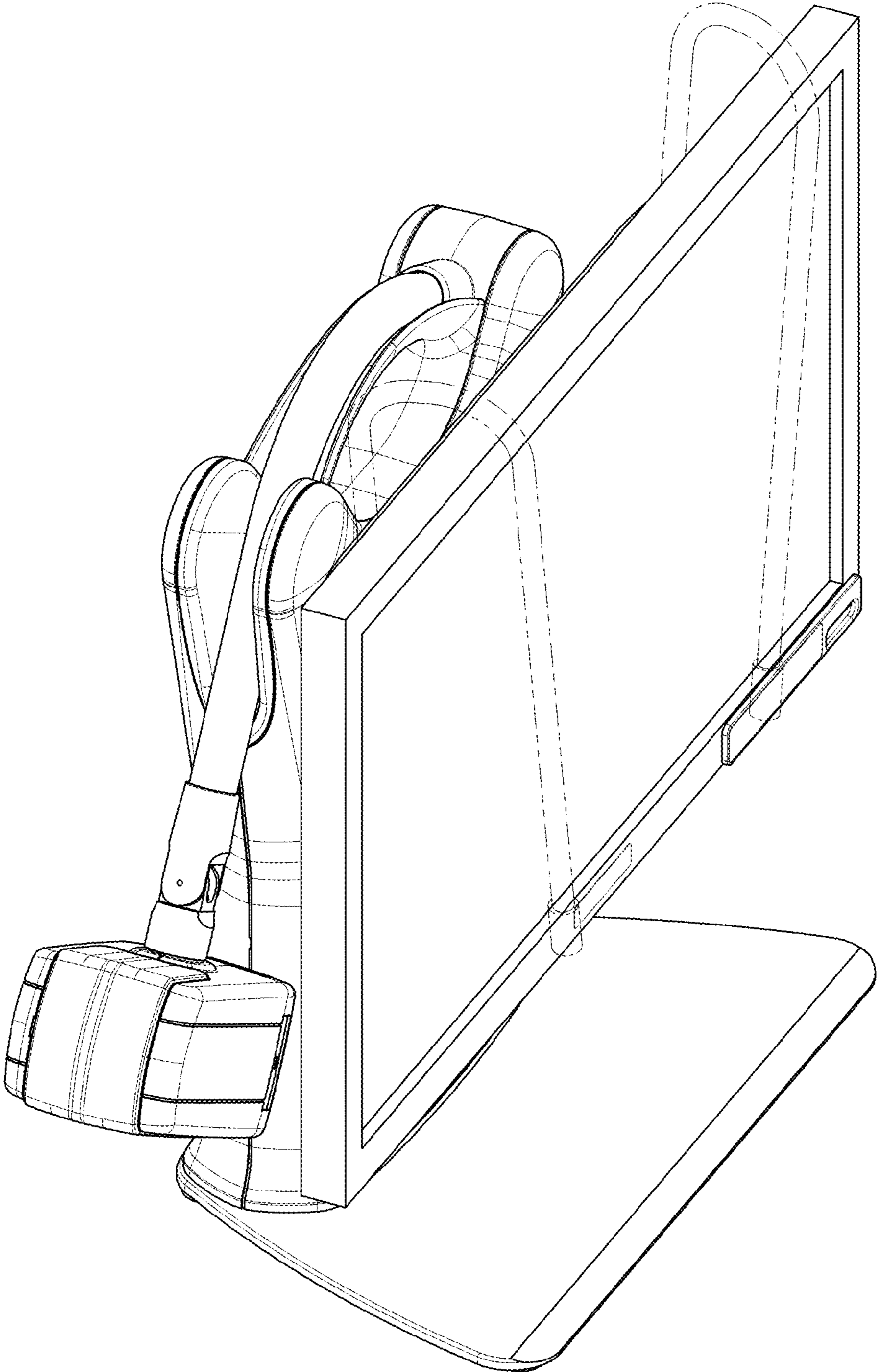


FIG. 9

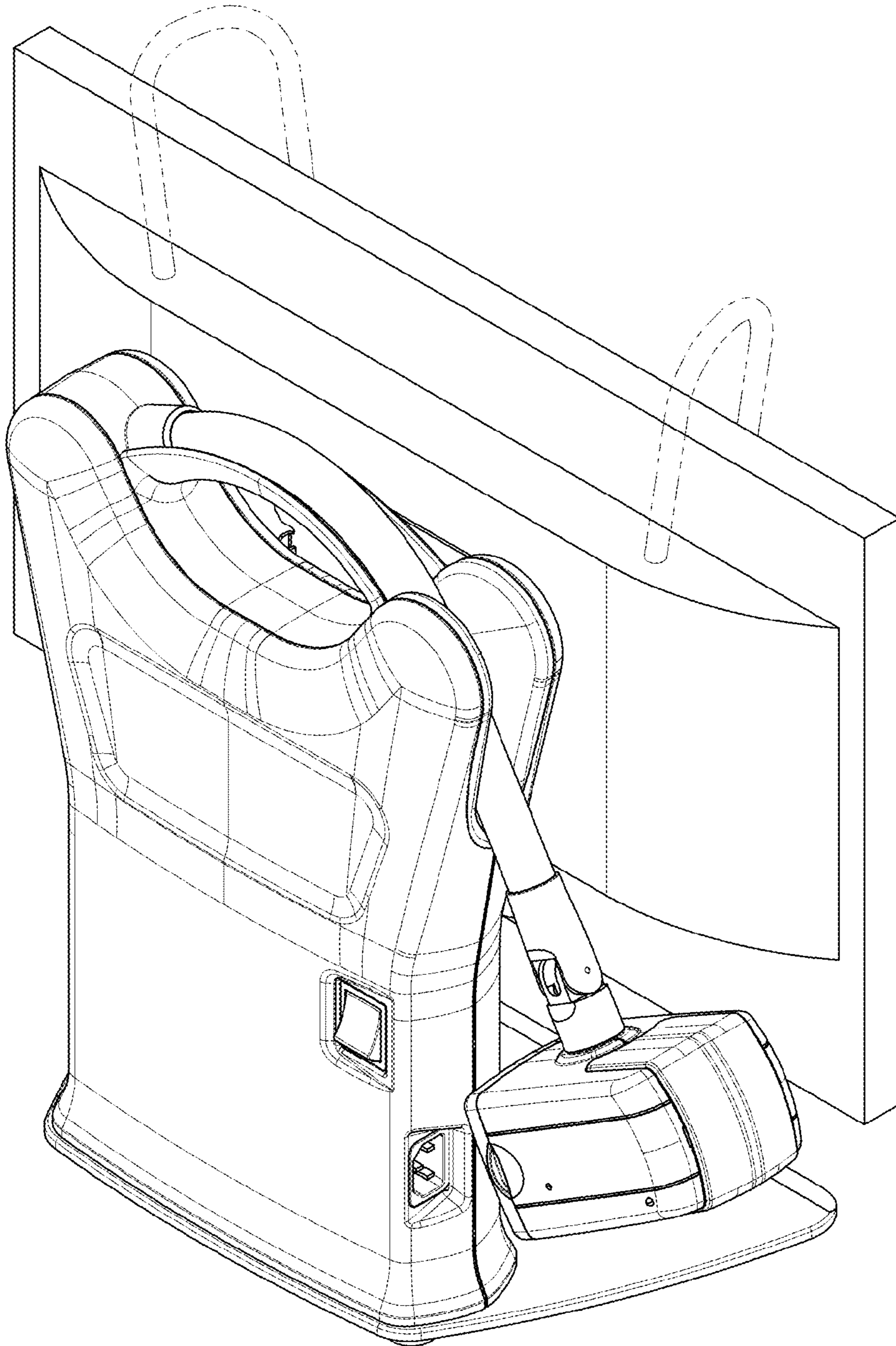


FIG. 10