



US00D728655S

(12) **United States Design Patent**
Daniel

(10) **Patent No.:** **US D728,655 S**

(45) **Date of Patent:** **** May 5, 2015**

(54) **COVERT RECORDING ALARM DEVICE FOR VEHICLES**

(71) Applicant: **Isaac S. Daniel**, Miramar, FL (US)

(72) Inventor: **Isaac S. Daniel**, Miramar, FL (US)

(**) Term: **14 Years**

(21) Appl. No.: **29/475,992**

(22) Filed: **Dec. 10, 2013**

(51) **LOC (10) Cl.** **16-01**

(52) **U.S. Cl.**
USPC **D16/203**

(58) **Field of Classification Search**
CPC G03B 17/02; G03B 19/04; G03B 17/56;
G03B 17/04; G03B 15/03; H04N 5/2251;
H04N 5/2252; H04N 5/2253; H04N 5/2254;
H04N 2007/145; H04N 7/141; H04N 7/142;
H04N 7/147; H04N 7/148; H04N 7/15;
H04N 7/152
USPC D16/200, 202–205, 208, 214, 218, 219,
D16/242; 348/143, 148, 373–376, 151;
396/427, 535, 539–541; D12/400;
340/426.1, 568.1, 572.9, 693.5, 937,
340/989

See application file for complete search history.

(56) **References Cited**

U.S. PATENT DOCUMENTS

6,002,326 A * 12/1999 Turner 340/426.1
D454,902 S * 3/2002 Hsu et al. D16/218
7,242,322 B2 * 7/2007 Neher et al. 340/989

D554,683 S * 11/2007 Jones et al. D16/208
D556,234 S * 11/2007 Pena Angarita D16/203
D586,836 S * 2/2009 Liow et al. D16/218
D589,996 S * 4/2009 Kellar et al. D16/203
D590,863 S * 4/2009 Ke D16/203
D624,577 S * 9/2010 Kujawski et al. D16/203
D635,173 S * 3/2011 Yamakawa D16/203
D647,937 S * 11/2011 Raken et al. D16/203
8,421,633 B2 * 4/2013 Yang 340/572.9
D696,329 S * 12/2013 Horiki et al. D16/203
D701,893 S * 4/2014 Bart et al. D16/214
D709,118 S * 7/2014 Yu D16/204
2005/0156753 A1 * 7/2005 DeLine et al. 340/693.5
2007/0223915 A1 * 9/2007 Yi 396/535
2010/0194885 A1 * 8/2010 Plaster 348/148

* cited by examiner

Primary Examiner — Adir Aronovich

Assistant Examiner — Ramzi Almatrahi

(74) *Attorney, Agent, or Firm* — Carol N. Green Kaul, Esq.

(57) **CLAIM**

The ornamental design for a covert recording alarm device for vehicles, as shown and described.

DESCRIPTION

FIG. 1 is a front perspective view of a covert recording alarm device for vehicles.

FIG. 2 is a rear perspective view thereof;

FIG. 3 is a front elevation view thereof;

FIG. 4 is a rear elevation view thereof;

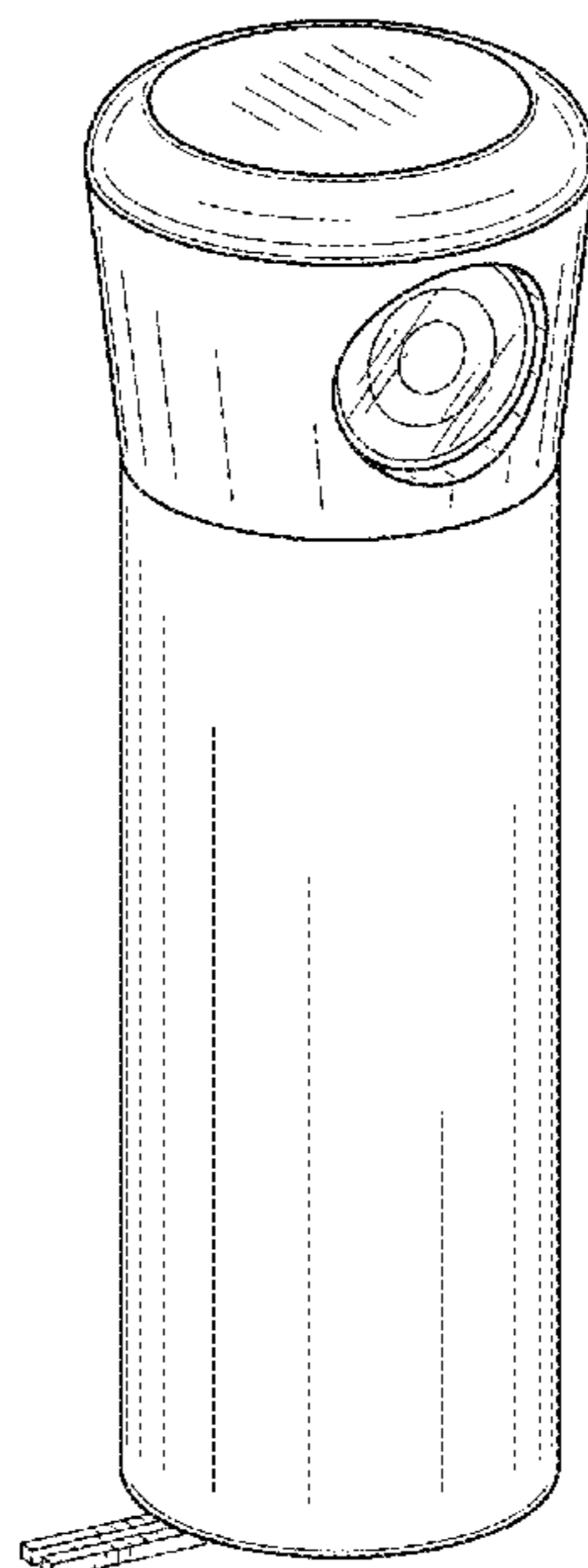
FIG. 5 is a right side elevation view thereof;

FIG. 6 is a left side elevation view thereof;

FIG. 7 is a top plan view thereof; and,

FIG. 8 is a bottom plan view thereof.

1 Claim, 4 Drawing Sheets



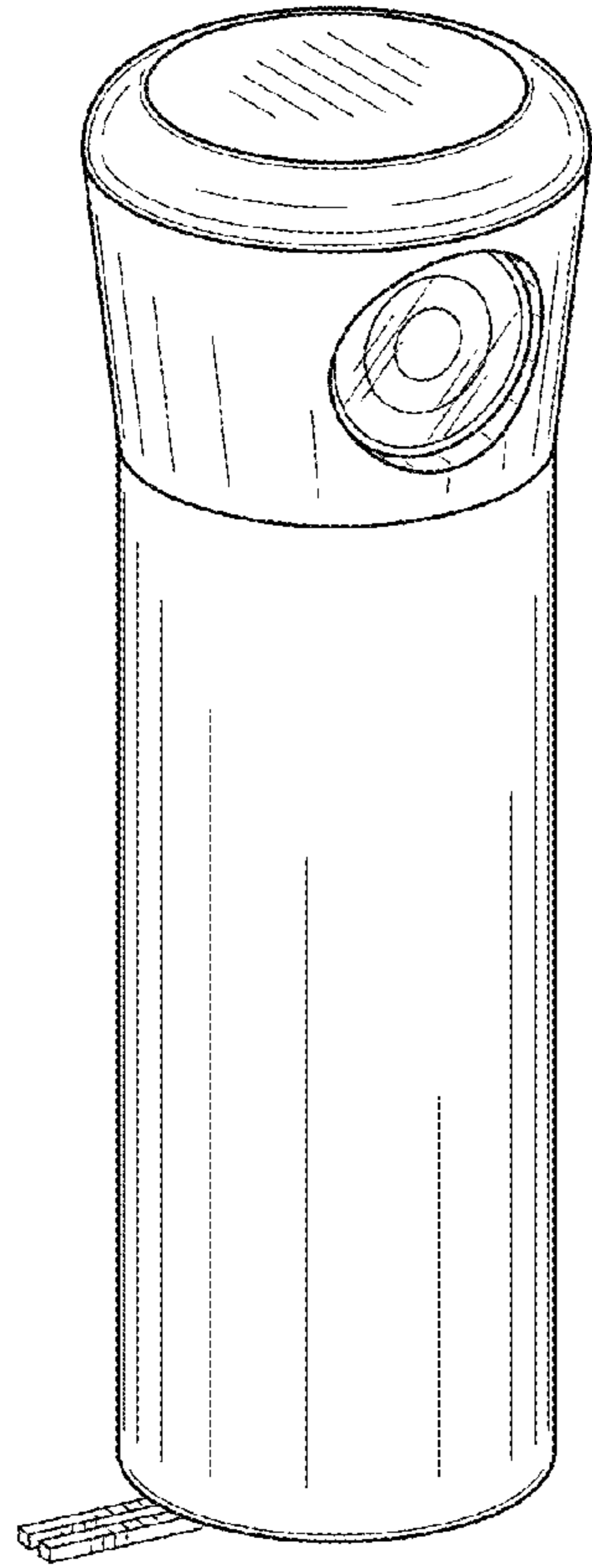


FIG. 1

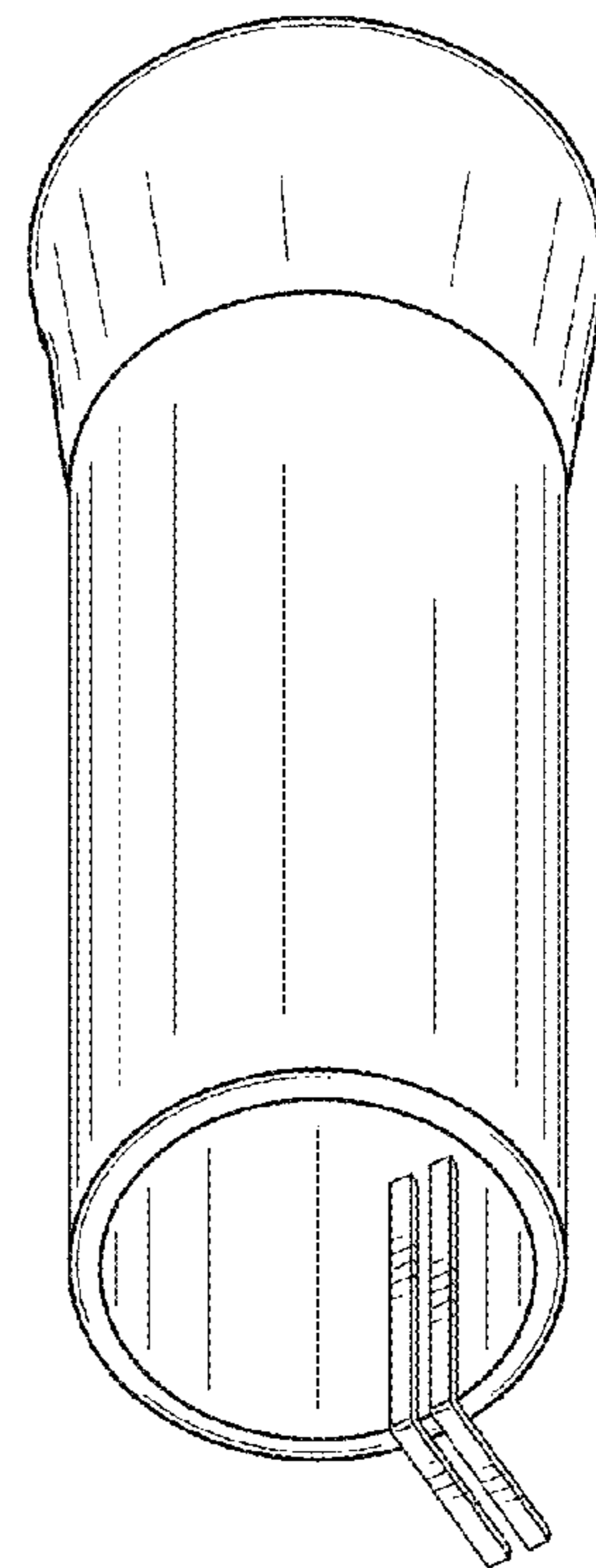


FIG. 2

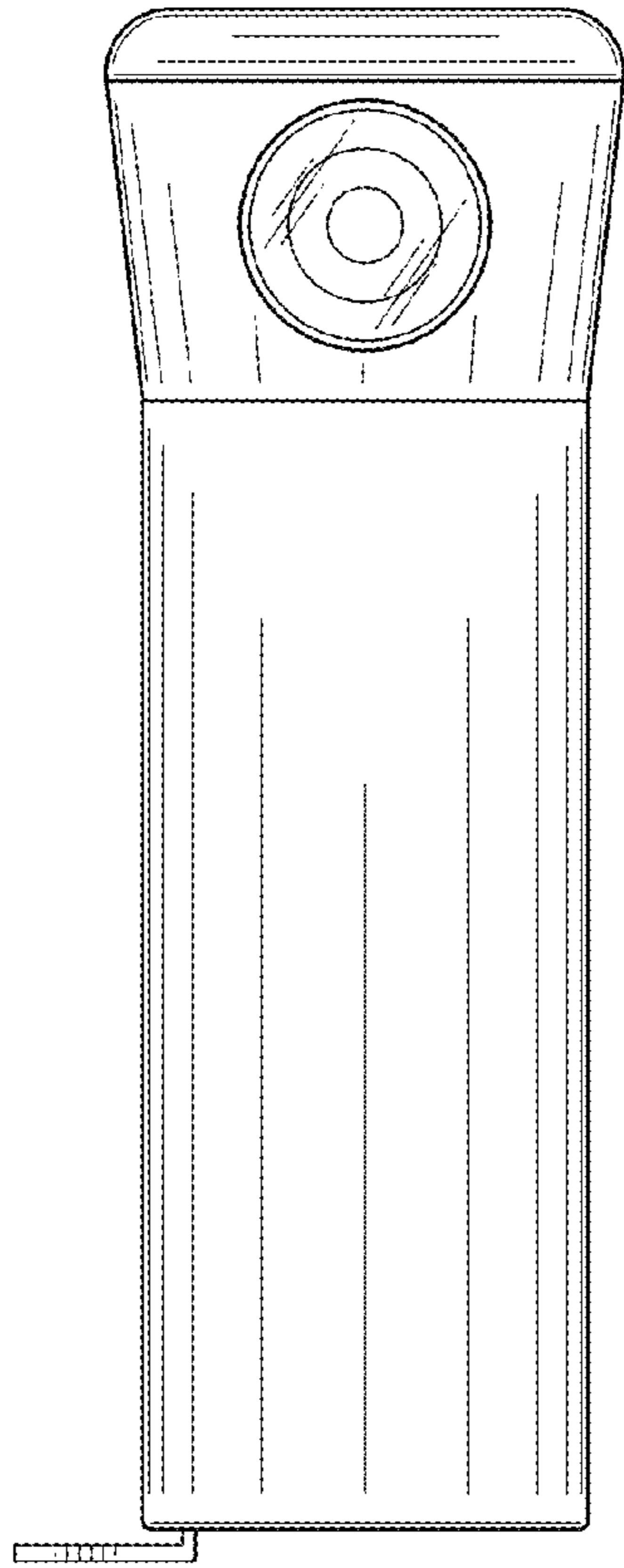


FIG. 3

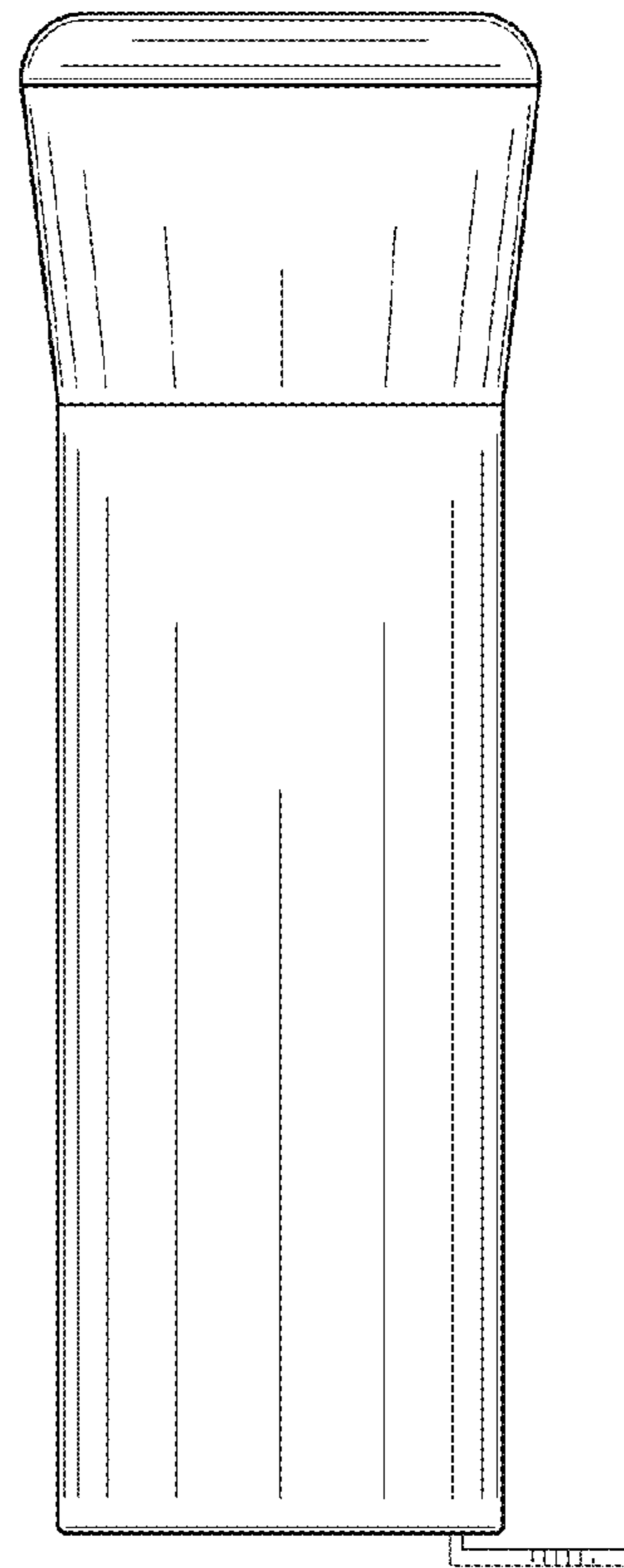


FIG. 4

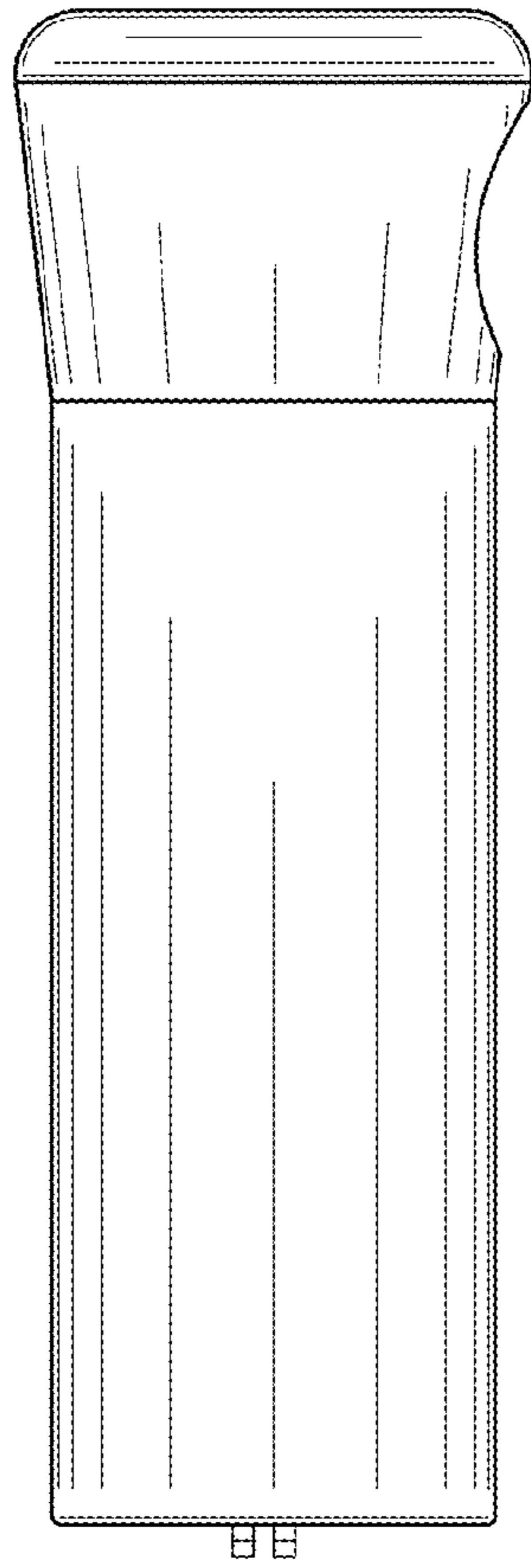


FIG. 5

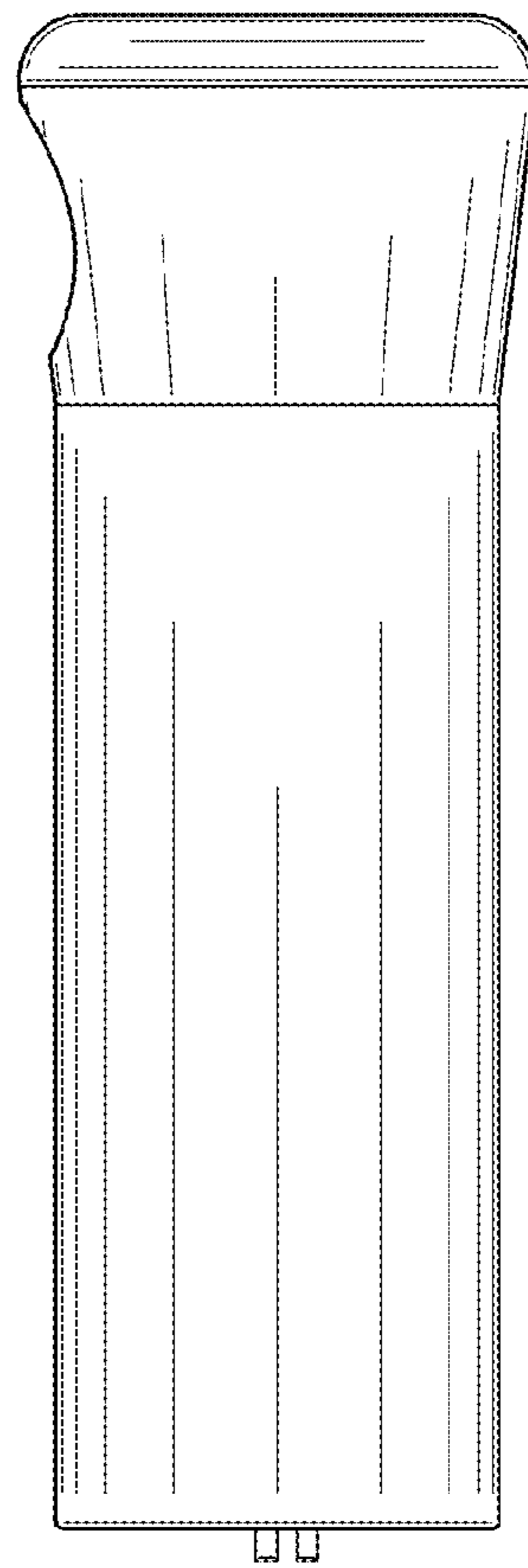


FIG. 6

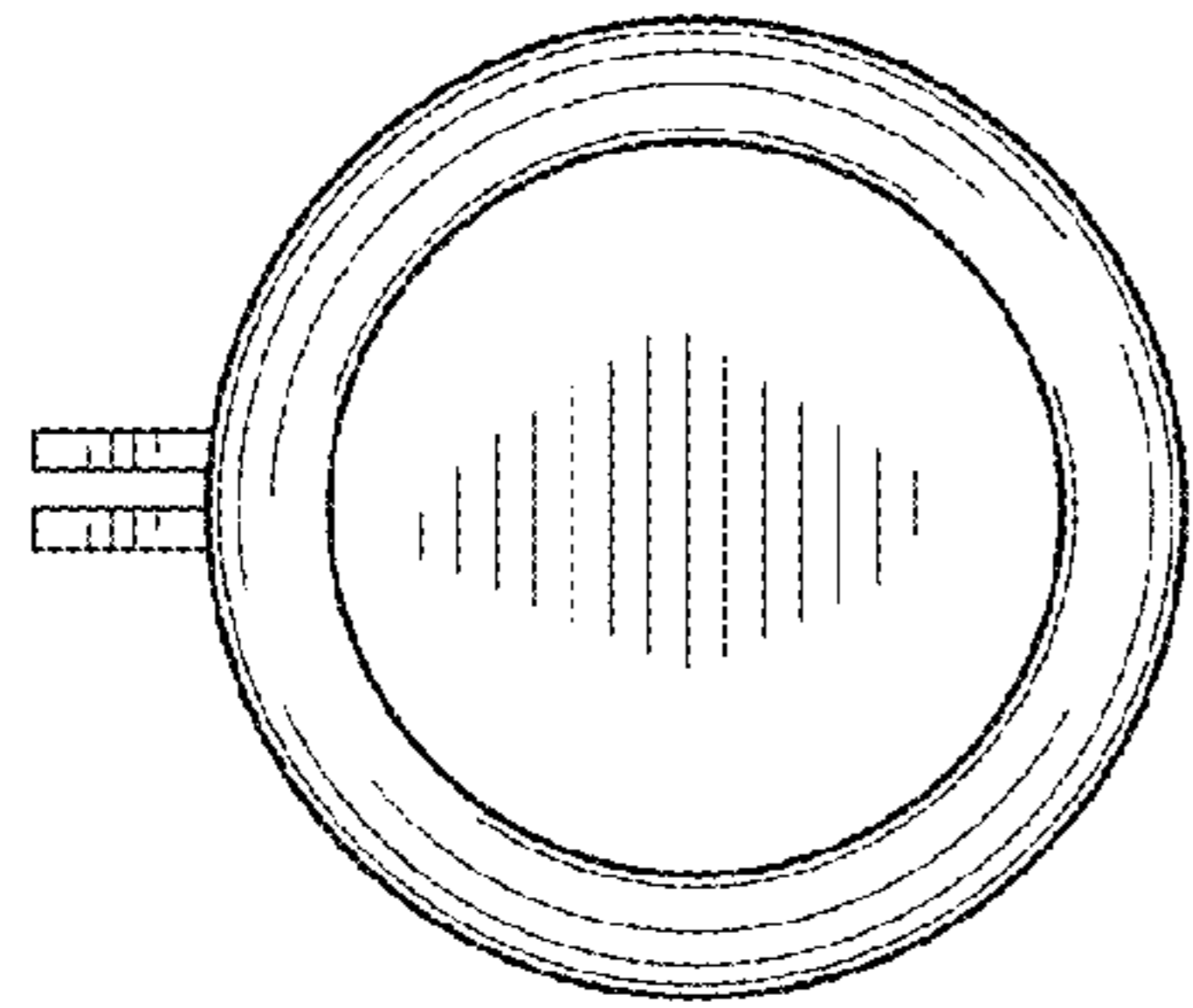


FIG. 7

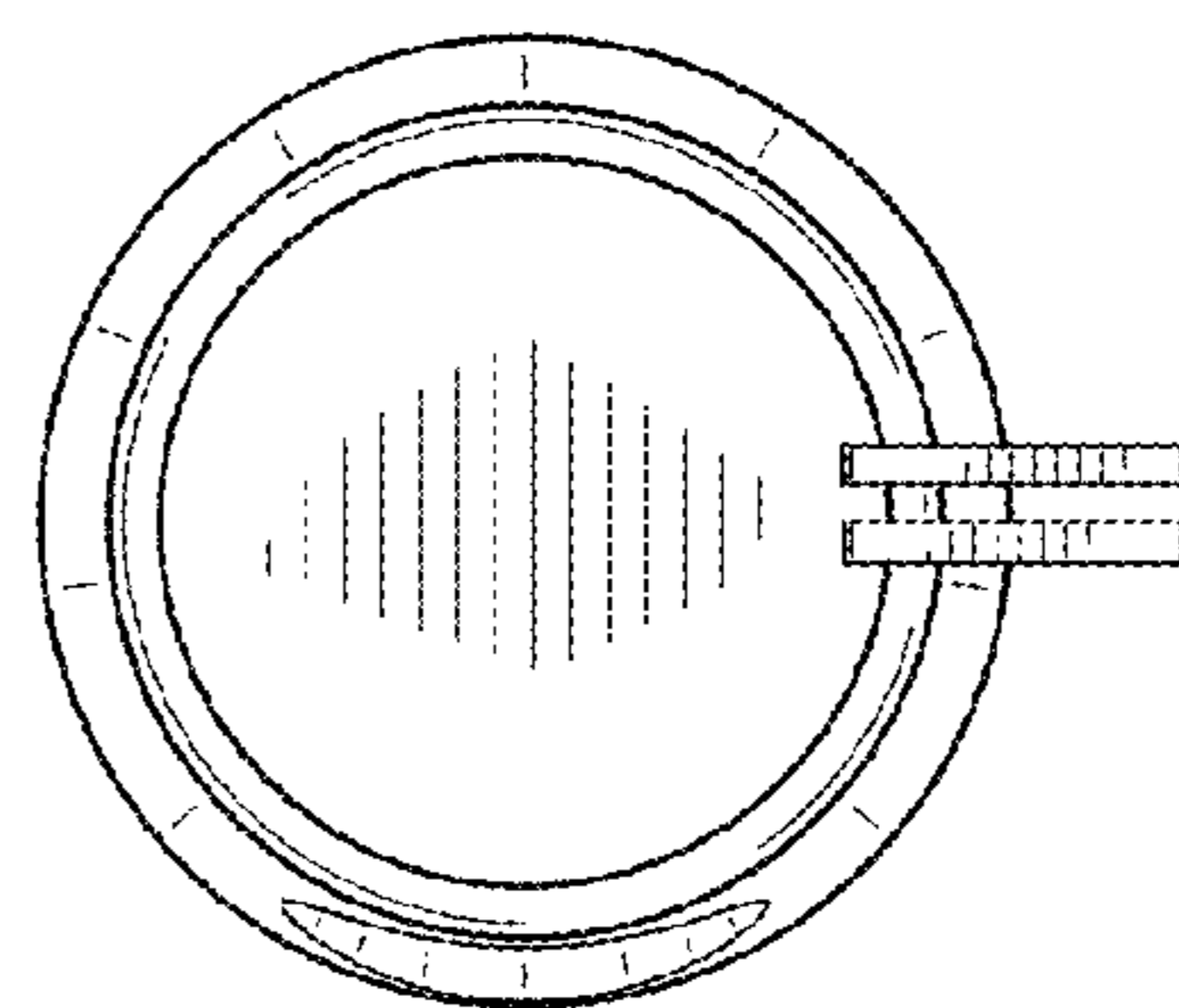


FIG. 8