



US00D728653S

(12) **United States Design Patent**
Kim et al.

(10) **Patent No.:** **US D728,653 S**

(45) **Date of Patent:** **** May 5, 2015**

(54) **DIGITAL CAMERA**

(71) Applicant: **Samsung Electronics Co., Ltd.**,
Suwon-si (KR)

(72) Inventors: **In-Shik Kim**, Seongnam-si (KR); **Kenji Yamauchi**, Seoul (KR); **Joo-Hyung Lee**, Seoul (KR); **Chang-Sin Cho**, Seoul (KR)

(73) Assignee: **Samsung Electronics Co., Ltd.**,
Suwon-si (KR)

(**) Term: **14 Years**

(21) Appl. No.: **29/473,234**

(22) Filed: **Nov. 20, 2013**

(30) **Foreign Application Priority Data**

May 21, 2013 (KR) 30-2013-0026338

(51) **LOC (10) Cl.** **16-01**

(52) **U.S. Cl.**
USPC **D16/202**

(58) **Field of Classification Search**
CPC G03B 15/03; G03B 17/02; G03B 17/04;
G03B 17/56; G03B 19/04; H04N 5/2251;
H04N 5/2252; H04N 5/2253; H04N 2/2254;
H04N 2101/00
USPC D16/200, 202–206, 208, 218, 219, 242;
348/373–376; 396/535, 539–541
See application file for complete search history.

(56) **References Cited**

U.S. PATENT DOCUMENTS

D561,799 S * 2/2008 Bai D16/202
D566,740 S * 4/2008 Nohara D16/202
D639,326 S * 6/2011 Baba et al. D16/202
D646,314 S * 10/2011 Nohara D16/202
D653,275 S * 1/2012 Sakai D16/202
D669,109 S * 10/2012 Jang D16/202
D685,834 S * 7/2013 Chai et al. D16/202

D695,328 S * 12/2013 Sul D16/202
D695,802 S * 12/2013 Kim et al. D16/200
D695,803 S * 12/2013 Kyunghan et al. D16/202
D700,229 S * 2/2014 Ham D16/202
2011/0298970 A1* 12/2011 Shinohara et al. 348/373
2014/0063336 A1* 3/2014 Choi et al. 348/374

* cited by examiner

Primary Examiner — Adir Aronovich

Assistant Examiner — Ramzi Almatrahi

(74) *Attorney, Agent, or Firm* — NSIP Law

(57) **CLAIM**

The ornamental design for a digital camera, as shown and described.

DESCRIPTION

FIG. 1 is a front perspective view of a digital camera showing our new design;

FIG. 2 is a front elevation view thereof;

FIG. 3 is a rear elevation view thereof;

FIG. 4 is a left side elevation view thereof;

FIG. 5 is a right side elevation view thereof;

FIG. 6 is a top plan view thereof;

FIG. 7 is a bottom plan view thereof;

FIG. 8 is a front perspective view of the digital camera, in which a lens in broken lines is shown to illustrate an environment;

FIG. 9 is an enlarged view of the encircled portion as shown in FIG. 2;

FIG. 10 is an enlarged view of the encircled portion as shown in FIG. 3; and,

FIG. 11 is an enlarged view of the encircled portion as shown in FIG. 7.

The broken lines depict portions of a digital camera in which the design is embodied and form no part of the claimed design.

The dot-dash broken lines encircling portions of the claimed design that are illustrated in enlargements form no part of the claimed design.

1 Claim, 6 Drawing Sheets

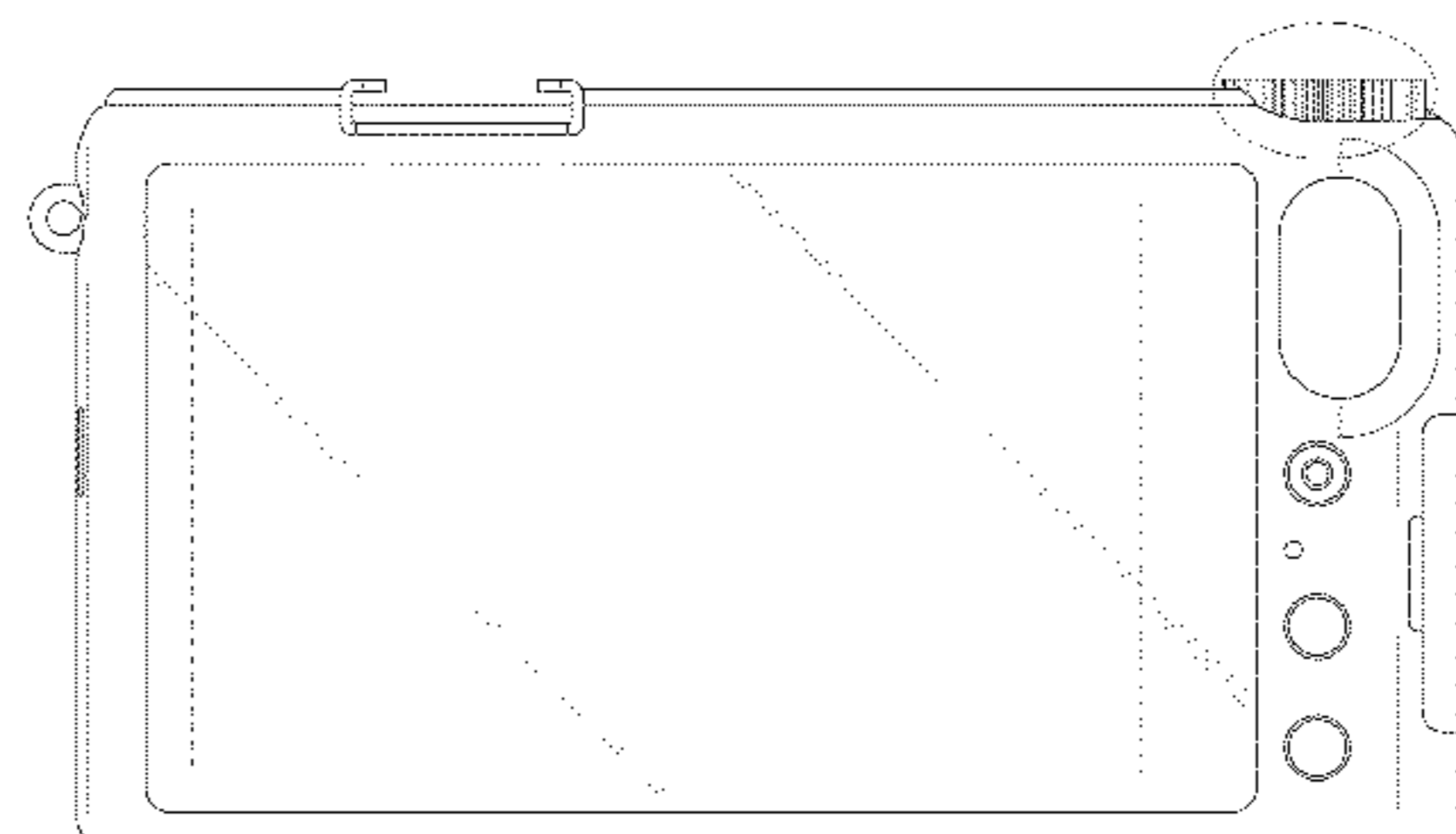
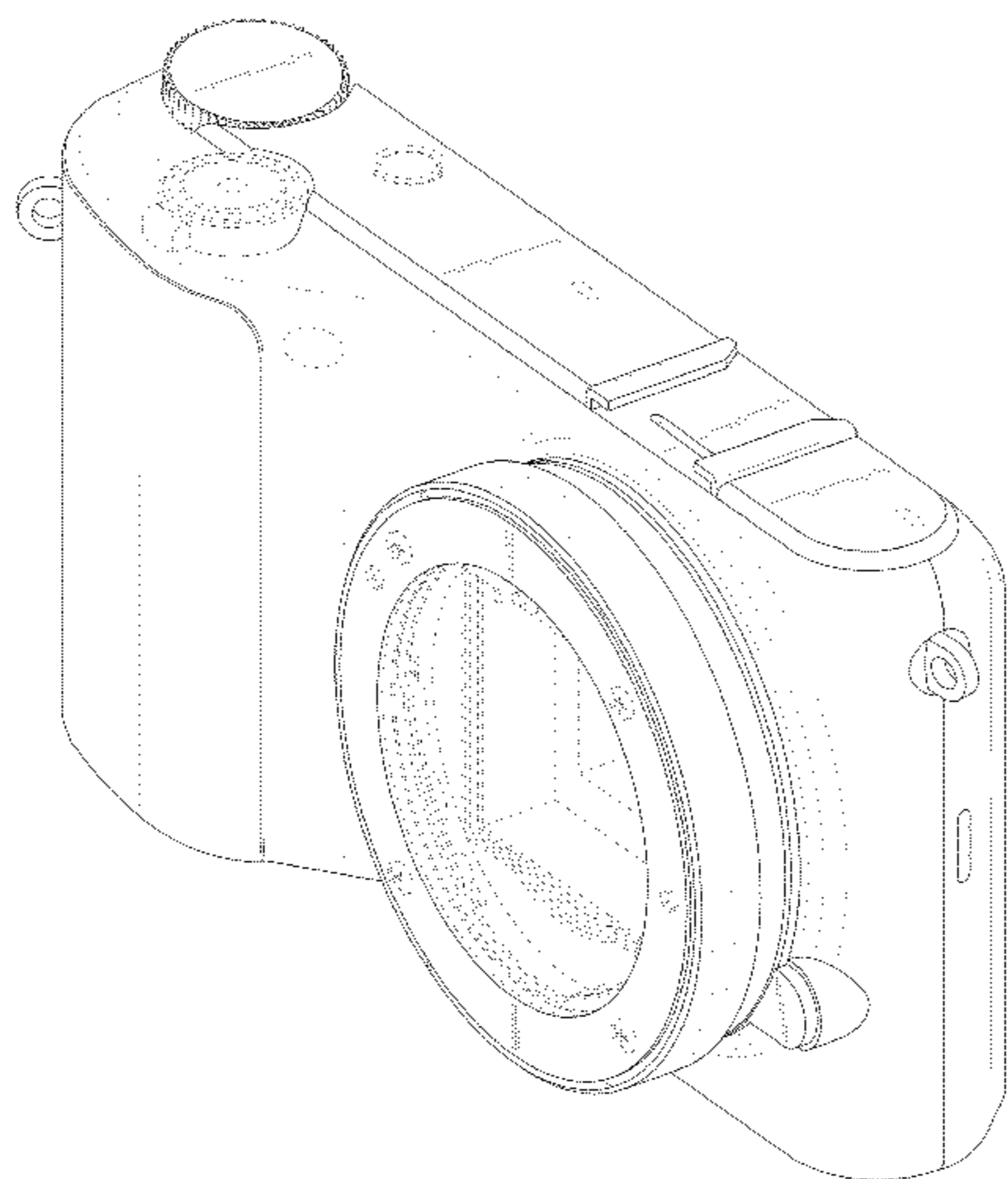


FIG.1

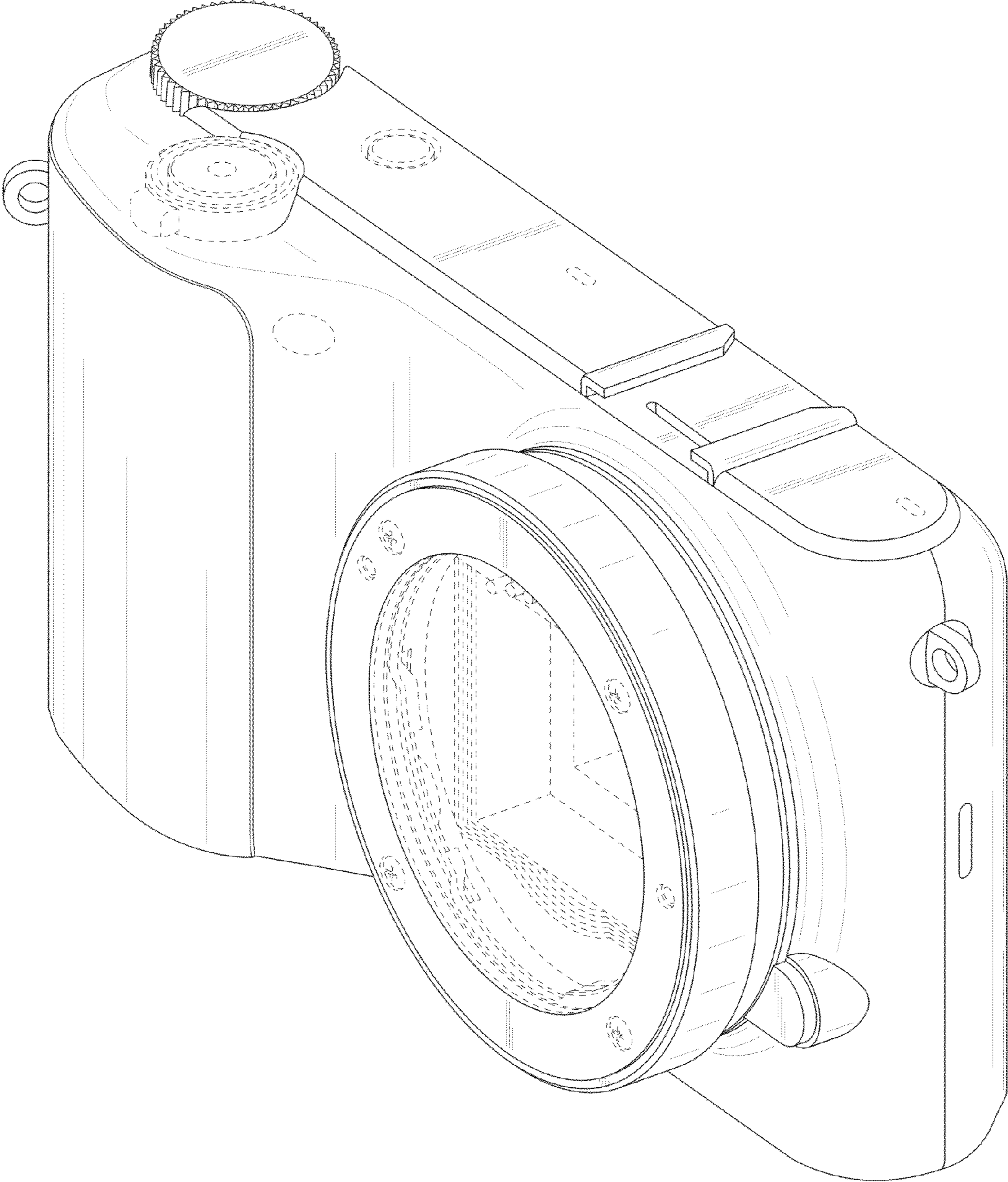


FIG.2

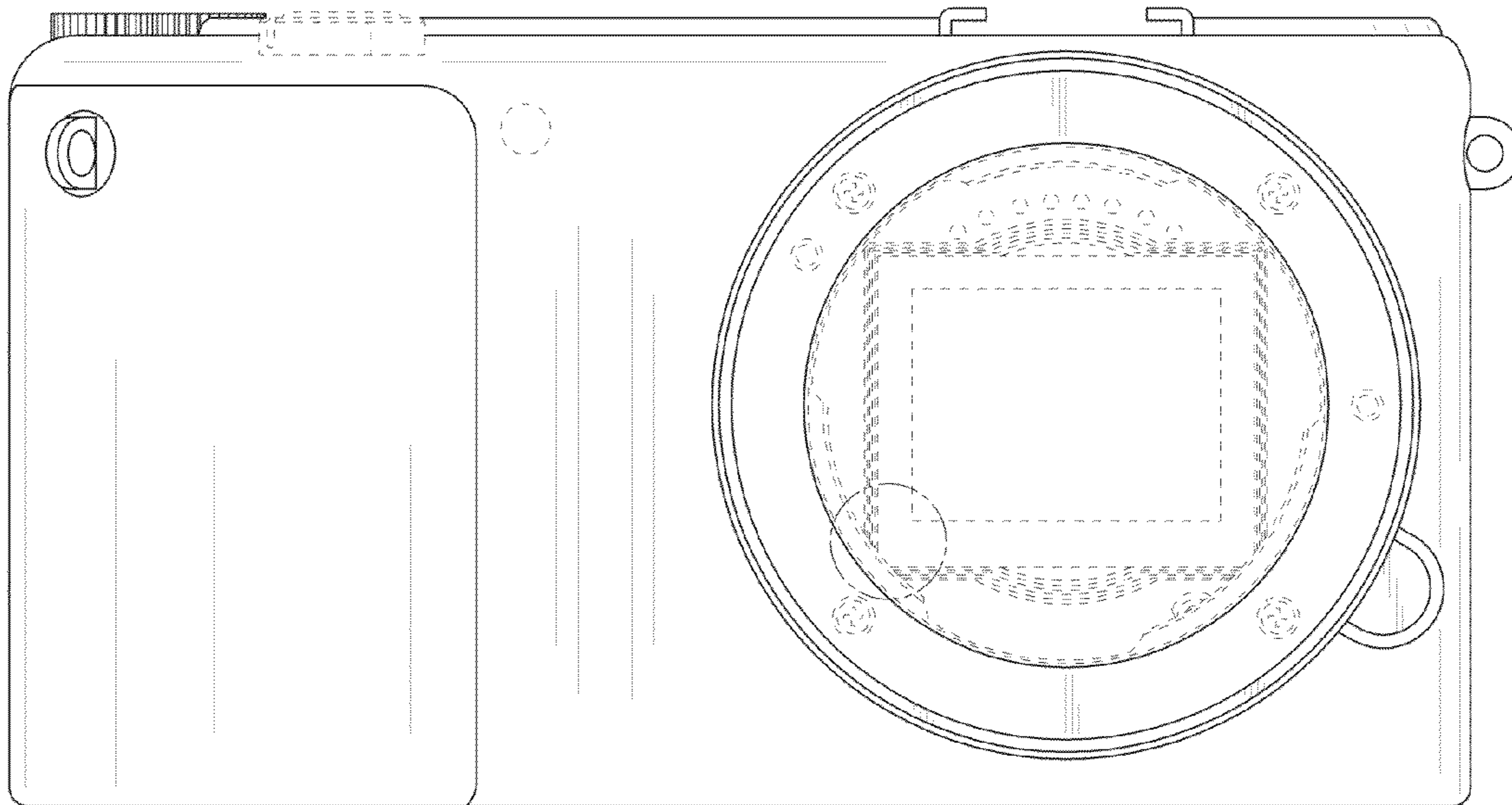


FIG.3

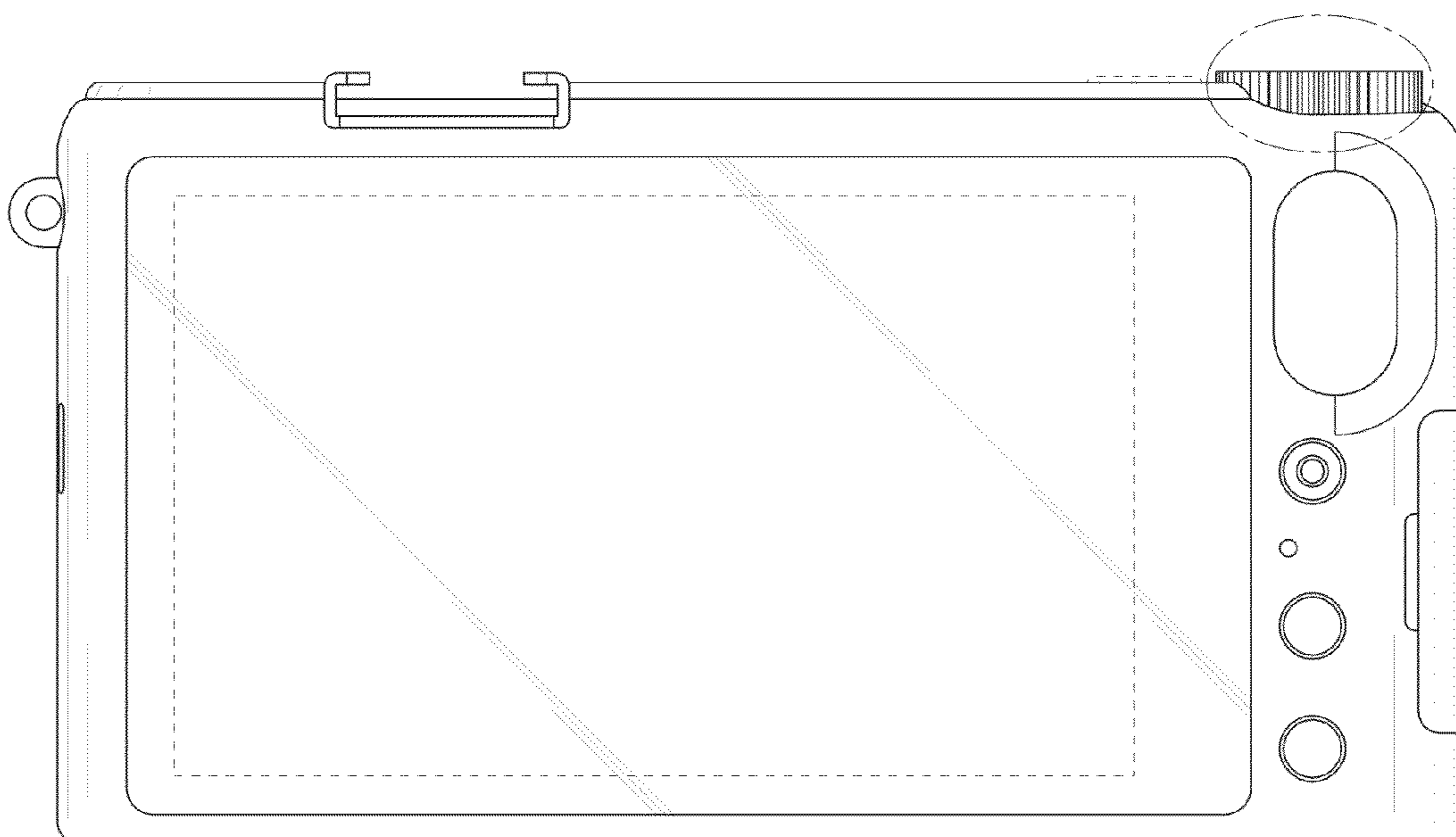


FIG.4

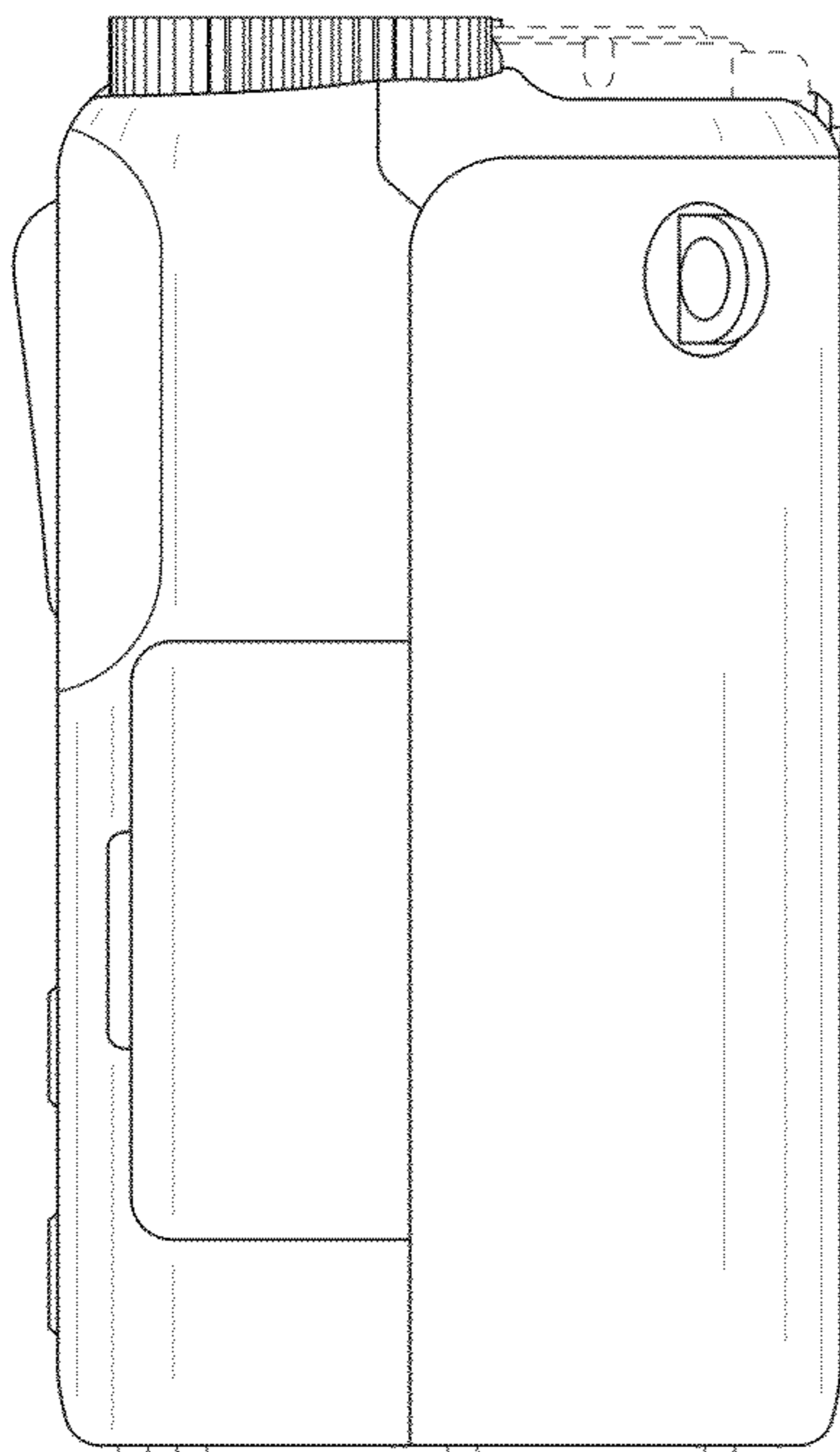


FIG.5

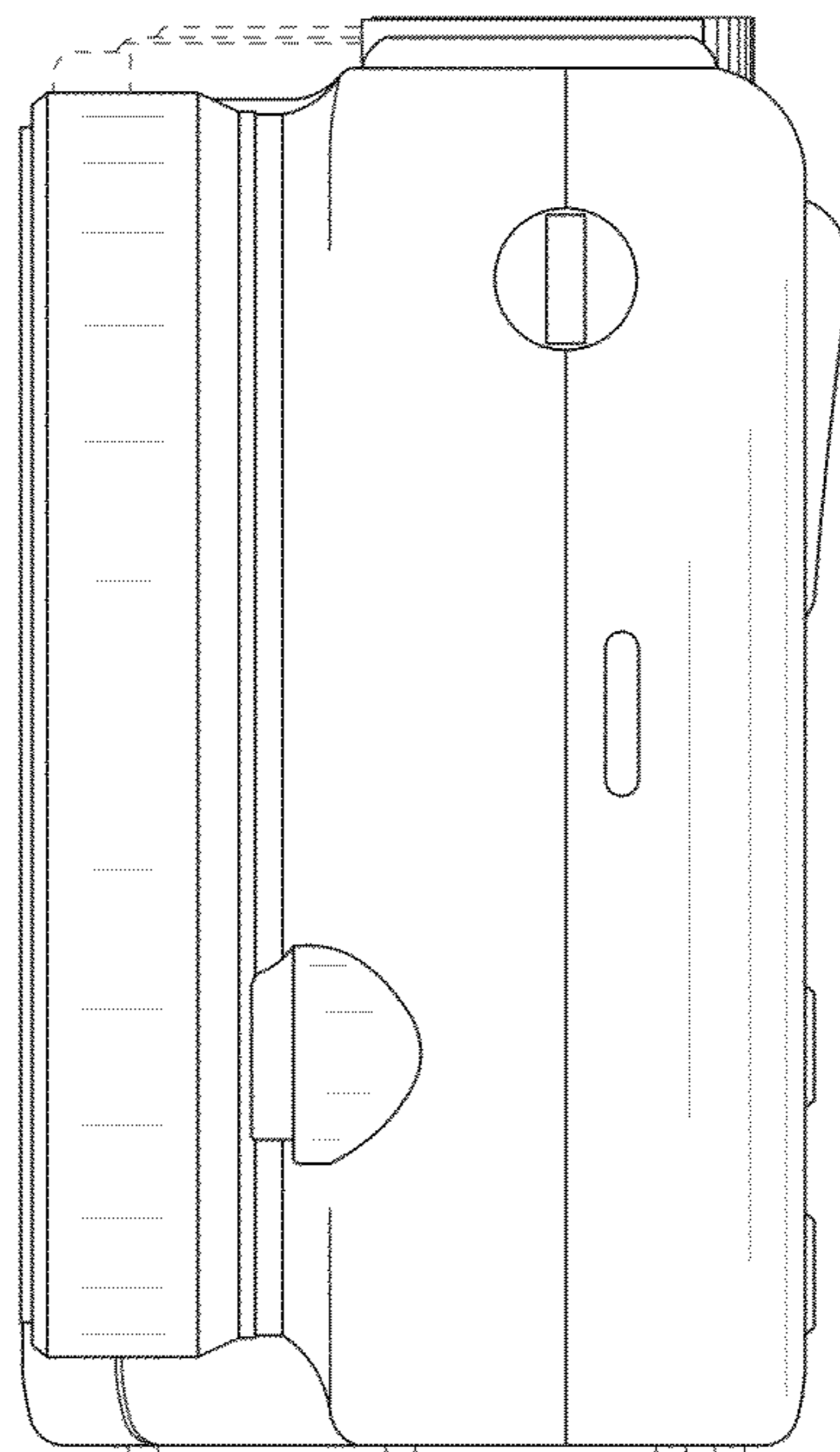


FIG.6

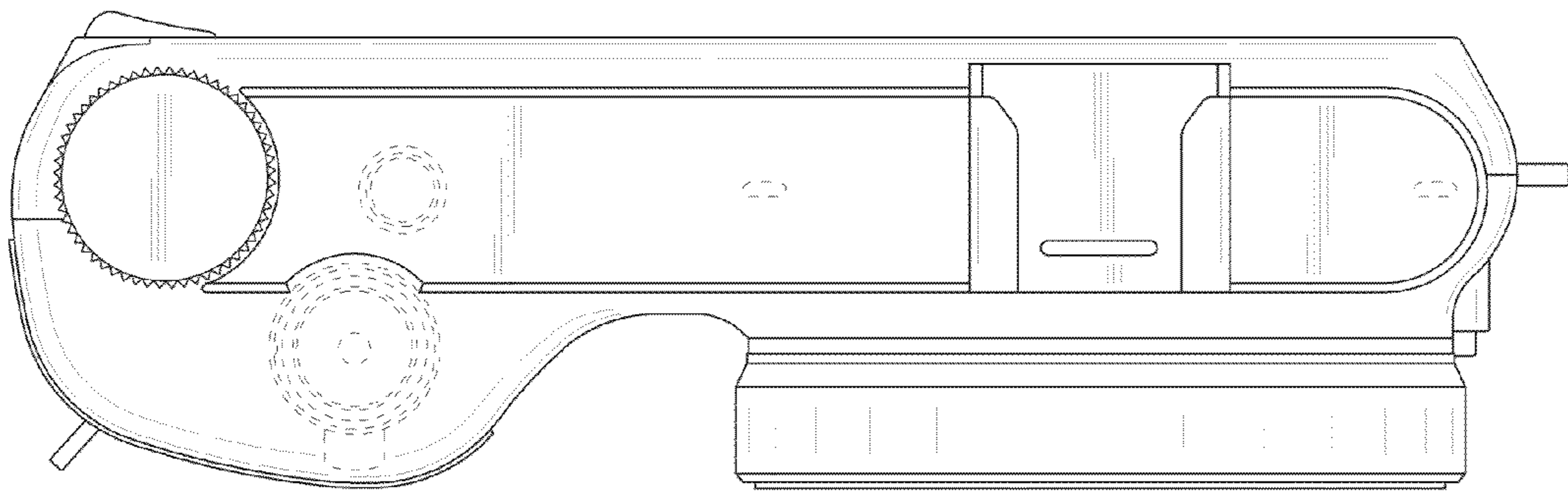


FIG.7

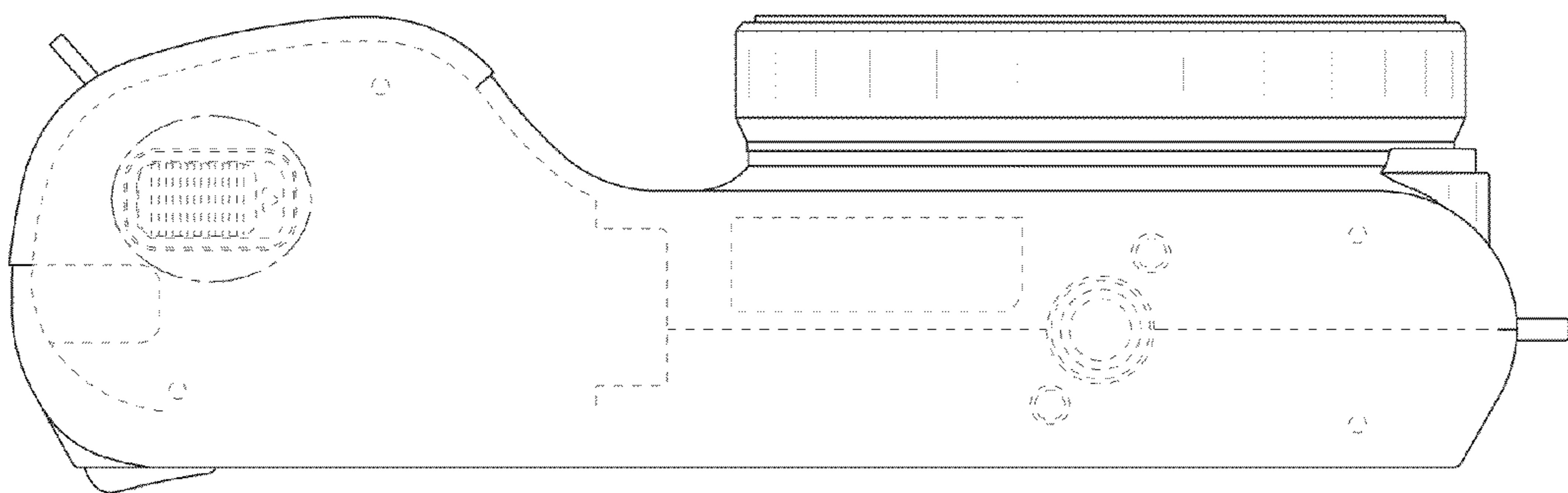


FIG.8

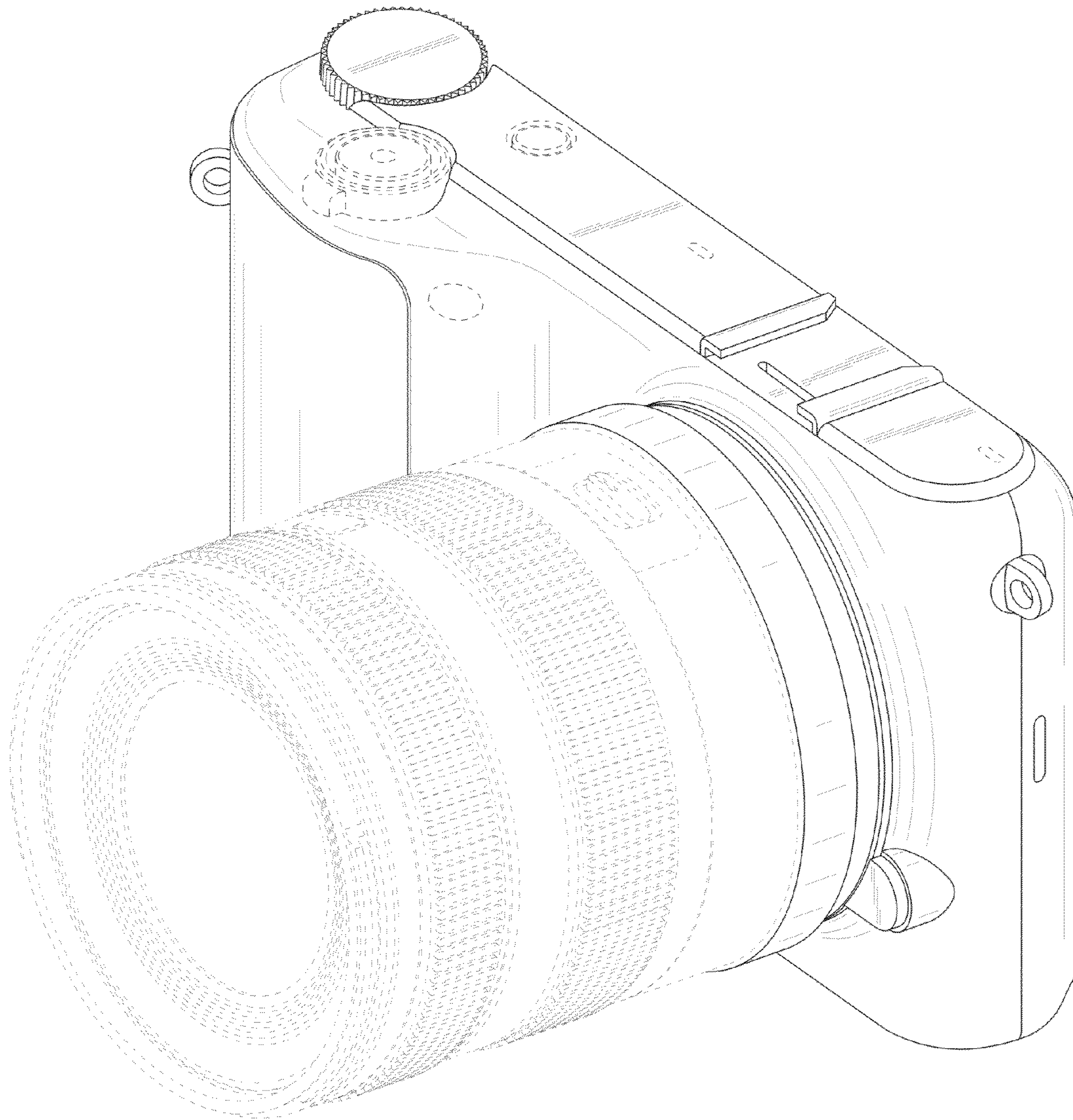


FIG.9

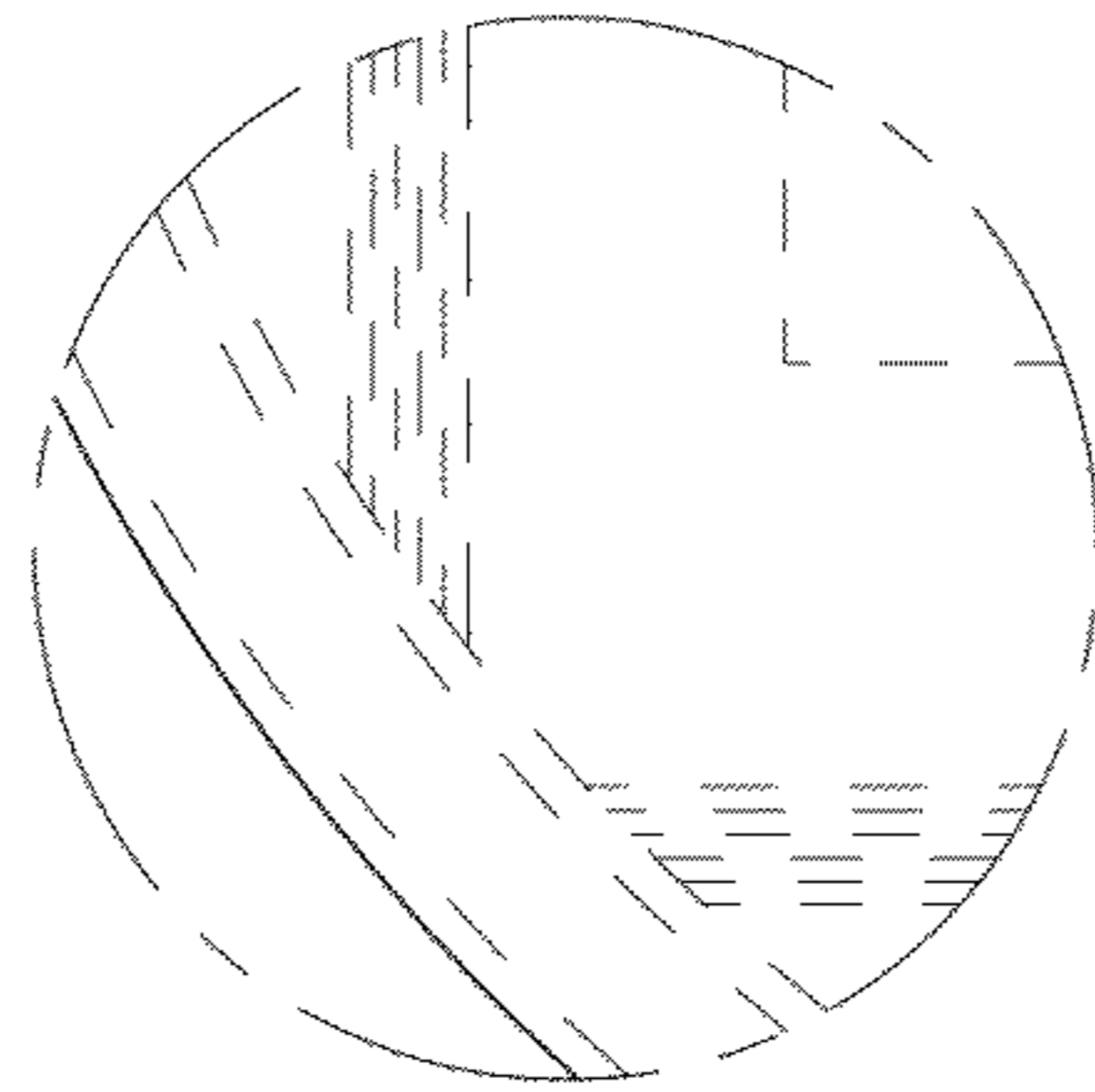


FIG.10

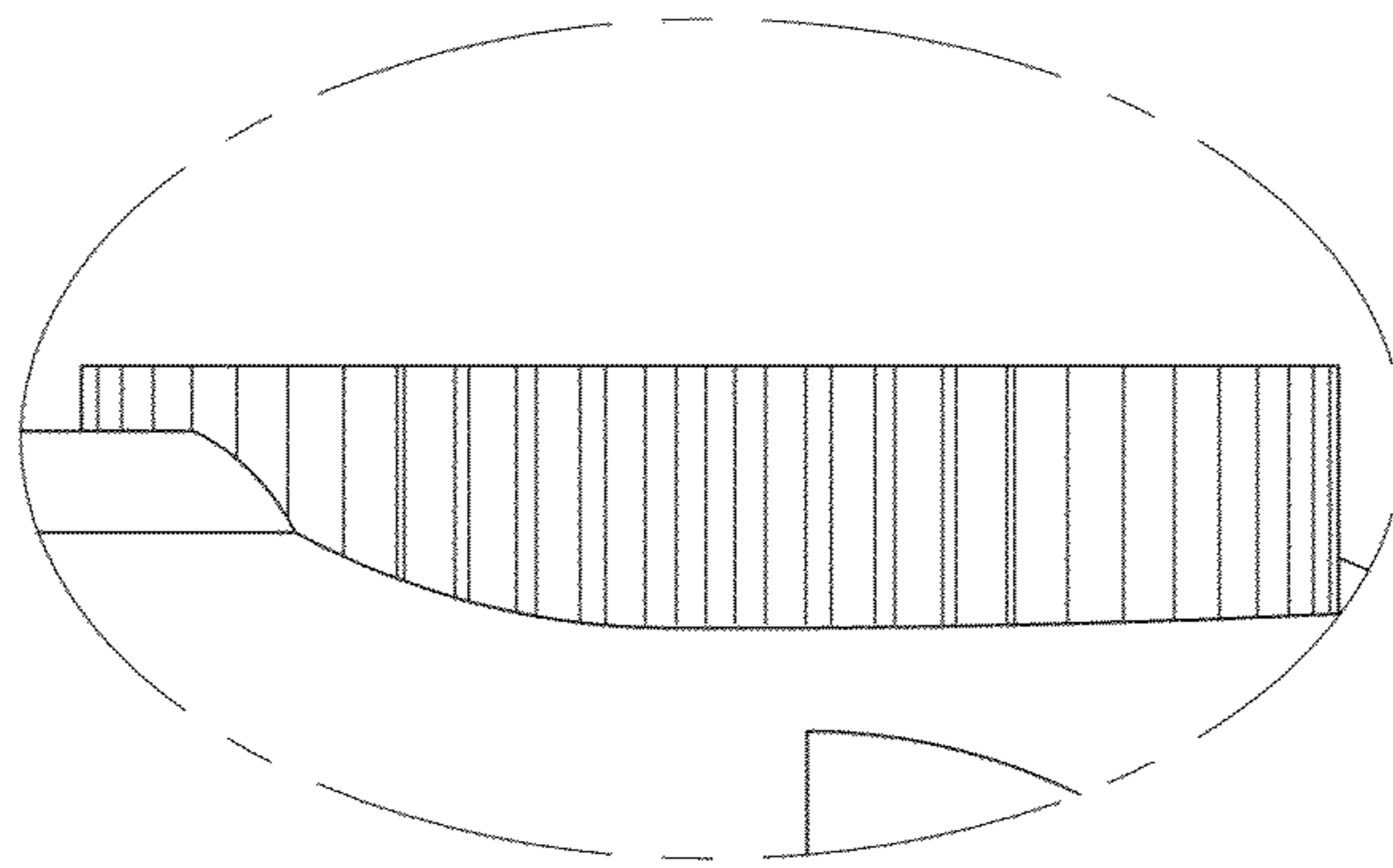


FIG.11

