



US00D728652S

(12) **United States Design Patent**
Hayashi

(10) **Patent No.:** **US D728,652 S**
(45) **Date of Patent:** **** May 5, 2015**

(54) **DIGITAL CAMERA**

(71) Applicant: **Samsung Electronics Co., Ltd.**,
Suwon-si (KR)

(72) Inventor: **Haruo Hayashi**, Seoul (KR)

(73) Assignee: **Samsung Electronics Co., Ltd.**,
Suwon-si (KR)

(**) Term: **14 Years**

(21) Appl. No.: **29/472,729**

(22) Filed: **Nov. 15, 2013**

(30) **Foreign Application Priority Data**

May 16, 2013 (KR) 30-2013-0025769

(51) **LOC (10) Cl.** **16-01**

(52) **U.S. Cl.**
USPC **D16/202**

(58) **Field of Classification Search**

CPC G03B 15/03; G03B 17/02; G03B 17/04;
G03B 17/56; G03B 19/04; H04N 5/2251;
H04N 5/2252; H04N 5/2253; H04N 5/2254;
H04N 2101/00

USPC D16/200, 202–206, 208, 218, 219, 242;
348/373–376; 396/535, 539–541

See application file for complete search history.

(56) **References Cited**

U.S. PATENT DOCUMENTS

D415,185 S *	10/1999	Matsuda	D16/218
D415,779 S *	10/1999	Matsushita	D16/218
D467,957 S *	12/2002	Senda	D16/218
D550,743 S *	9/2007	Bai	D16/218
D555,688 S *	11/2007	Yoo et al.	D16/202
D555,694 S *	11/2007	Yoo et al.	D16/219
D556,229 S *	11/2007	Bai	D16/202
D561,799 S *	2/2008	Bai	D16/202
D596,214 S *	7/2009	Kim et al.	D16/202
D596,217 S *	7/2009	Kim et al.	D16/219

D596,218 S *	7/2009	Kim et al.	D16/219
7,643,085 B2 *	1/2010	Saiki et al.	348/373
2012/0189296 A1 *	7/2012	Kim	396/535

* cited by examiner

Primary Examiner — Adir Aronovich

Assistant Examiner — Ramzi Almatrahi

(74) *Attorney, Agent, or Firm* — NSIP Law

(57) **CLAIM**

The ornamental design for a digital camera, as shown and described.

DESCRIPTION

FIG. 1 is a front perspective view of a digital camera showing my new design;

FIG. 2 is a front view thereof;

FIG. 3 is a rear view thereof;

FIG. 4 is a left-side view thereof;

FIG. 5 is a right-side view thereof;

FIG. 6 is a top view thereof;

FIG. 7 is a bottom view thereof;

FIG. 8 is a rear perspective view thereof;

FIG. 9 is an enlarged view of the encircled portion as shown in FIG. 1;

FIG. 10 is an enlarged view of the encircled portion located at the top right side of FIG. 2;

FIG. 11 is an enlarged view of the encircled portion located at the bottom center of FIG. 2.

FIG. 12 is an enlarged view of the encircled portion as shown in FIG. 3; and,

FIG. 13 is an enlarged view of the encircled portion as shown in FIG. 6.

The broken lines depict portions of a digital camera in which the design is embodied and form no part of the claimed design.

The dot-dash broken lines encircling portions of the claimed design that are illustrated in enlargements form no part of the claimed design.

1 Claim, 8 Drawing Sheets

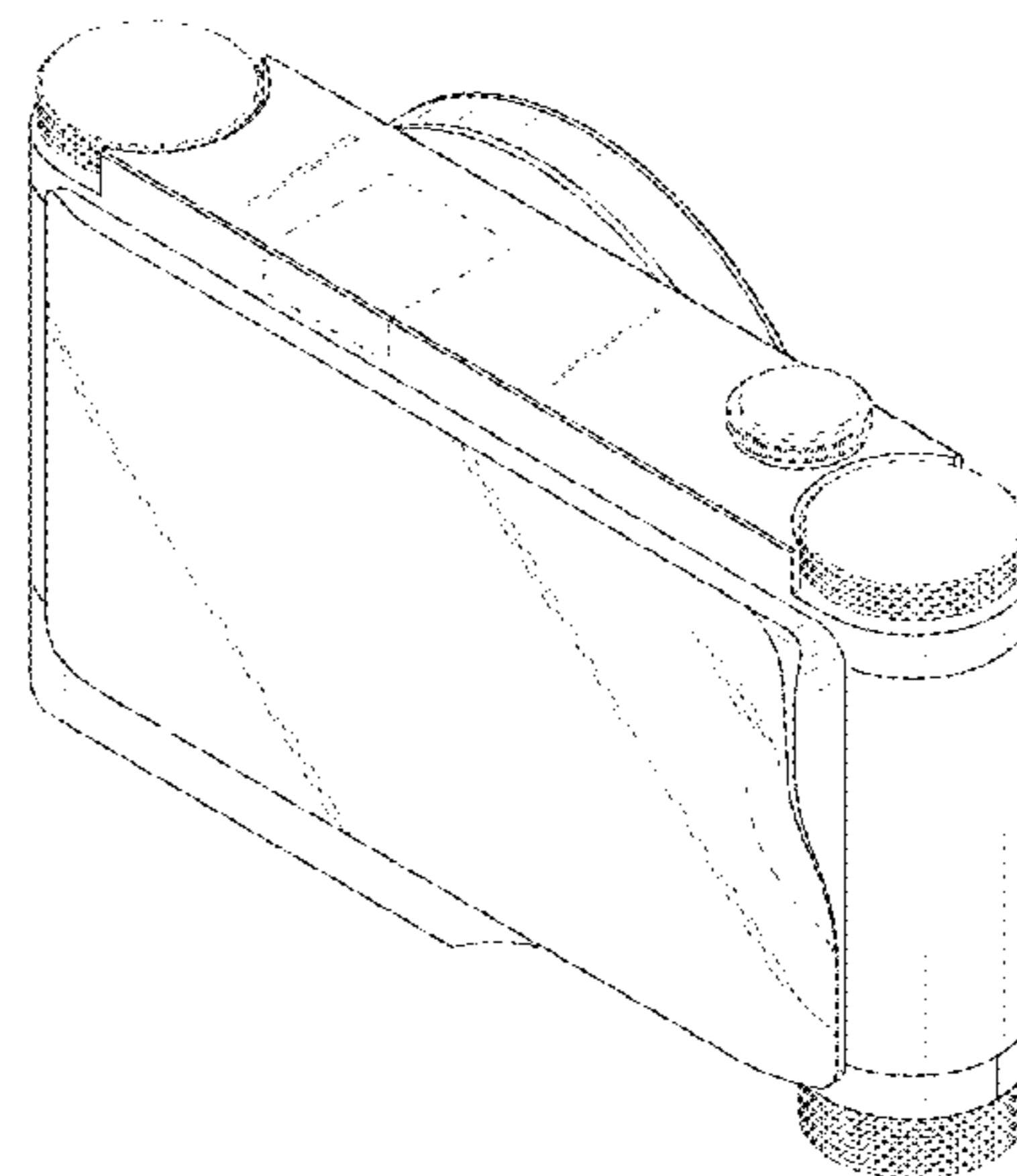
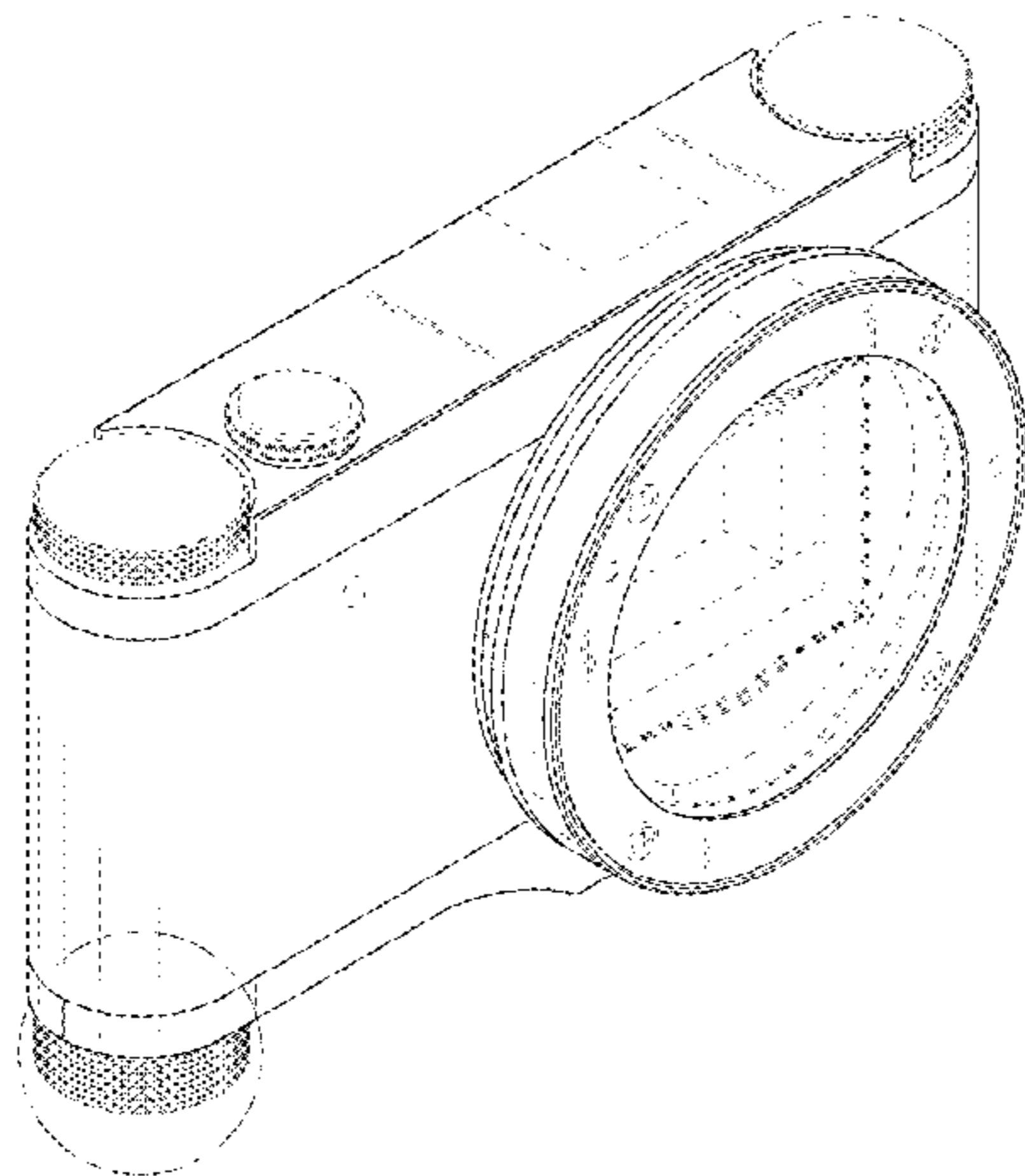


FIG. 1

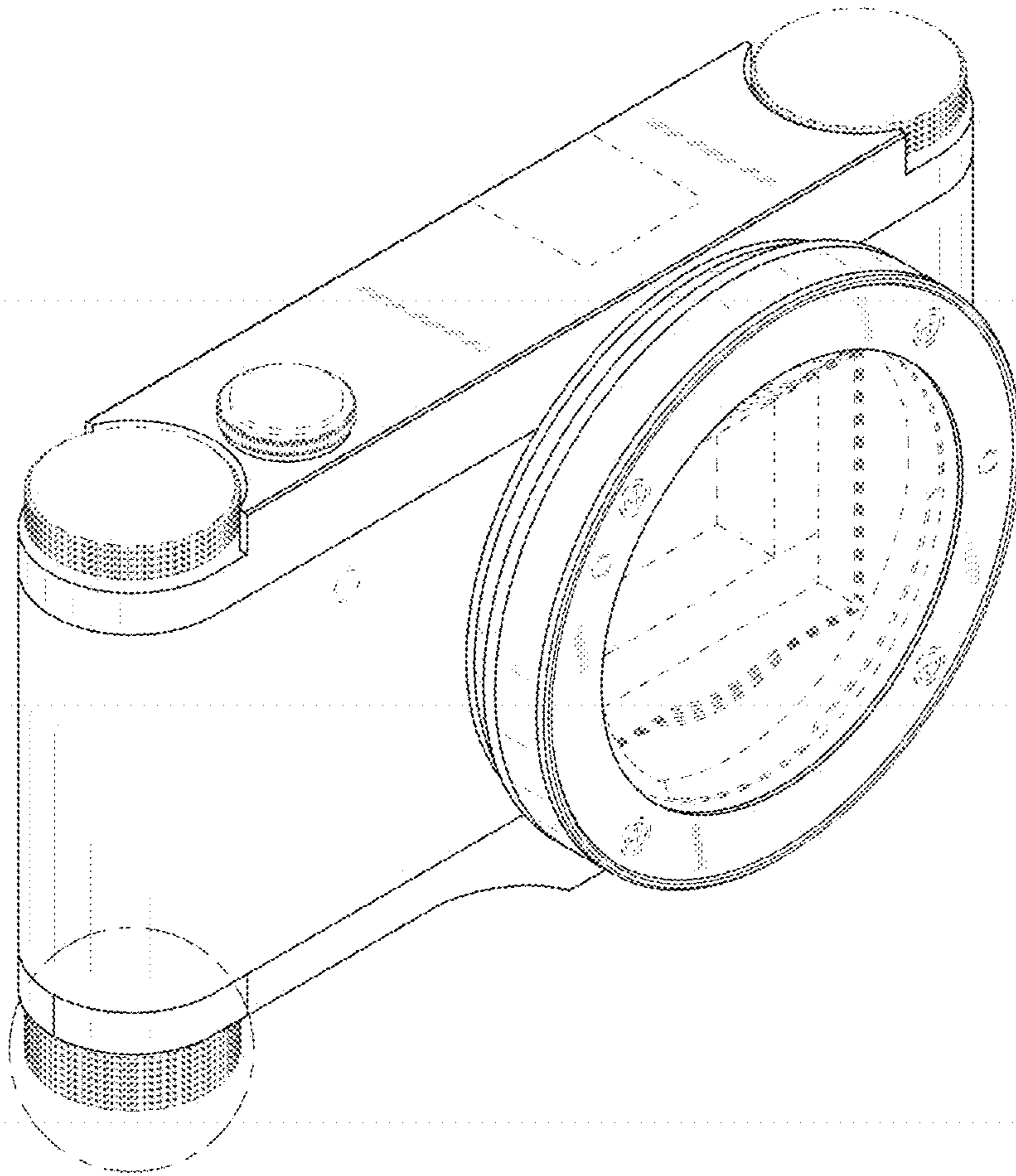


FIG. 2

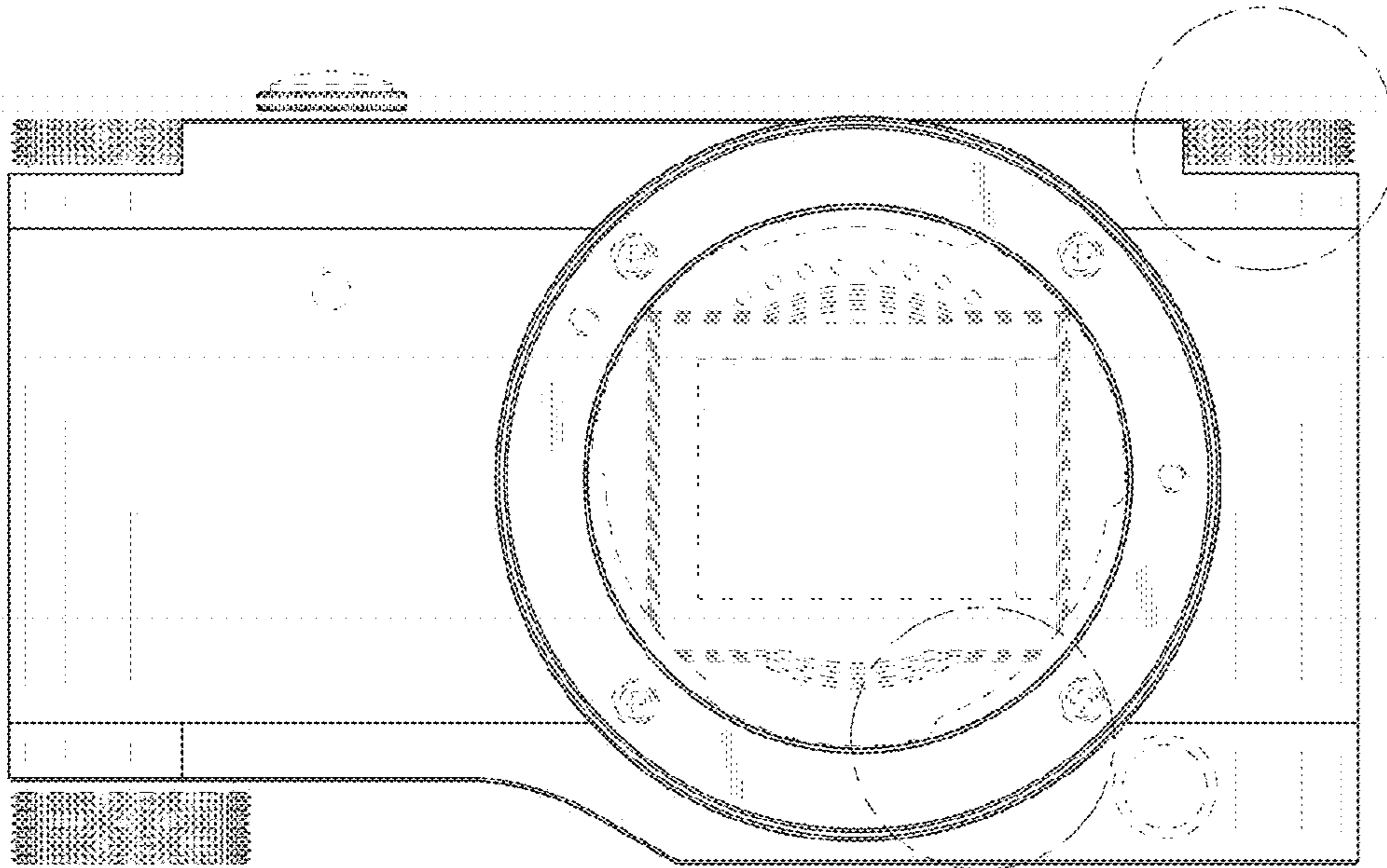


FIG. 3

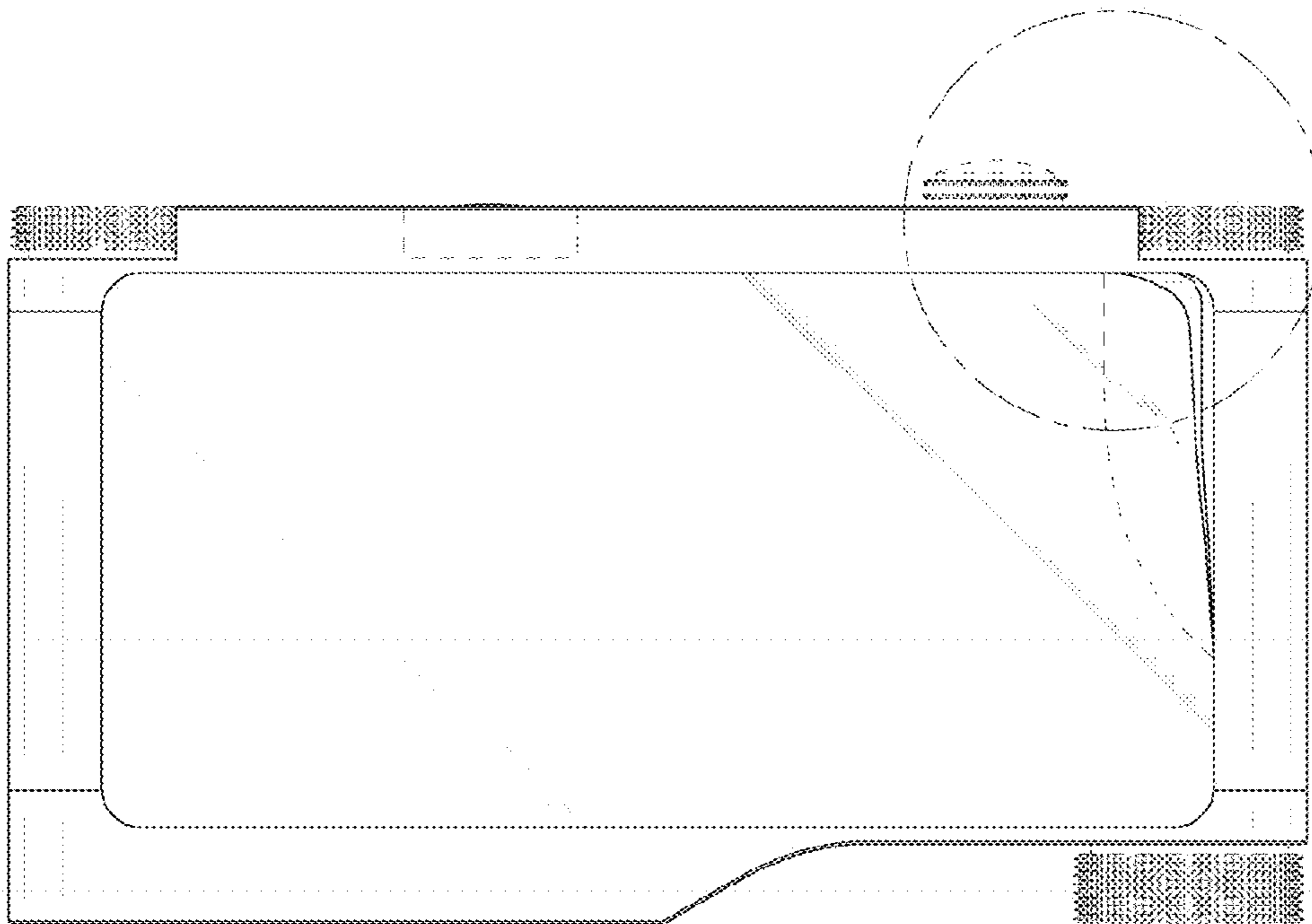


FIG. 4

FIG. 5

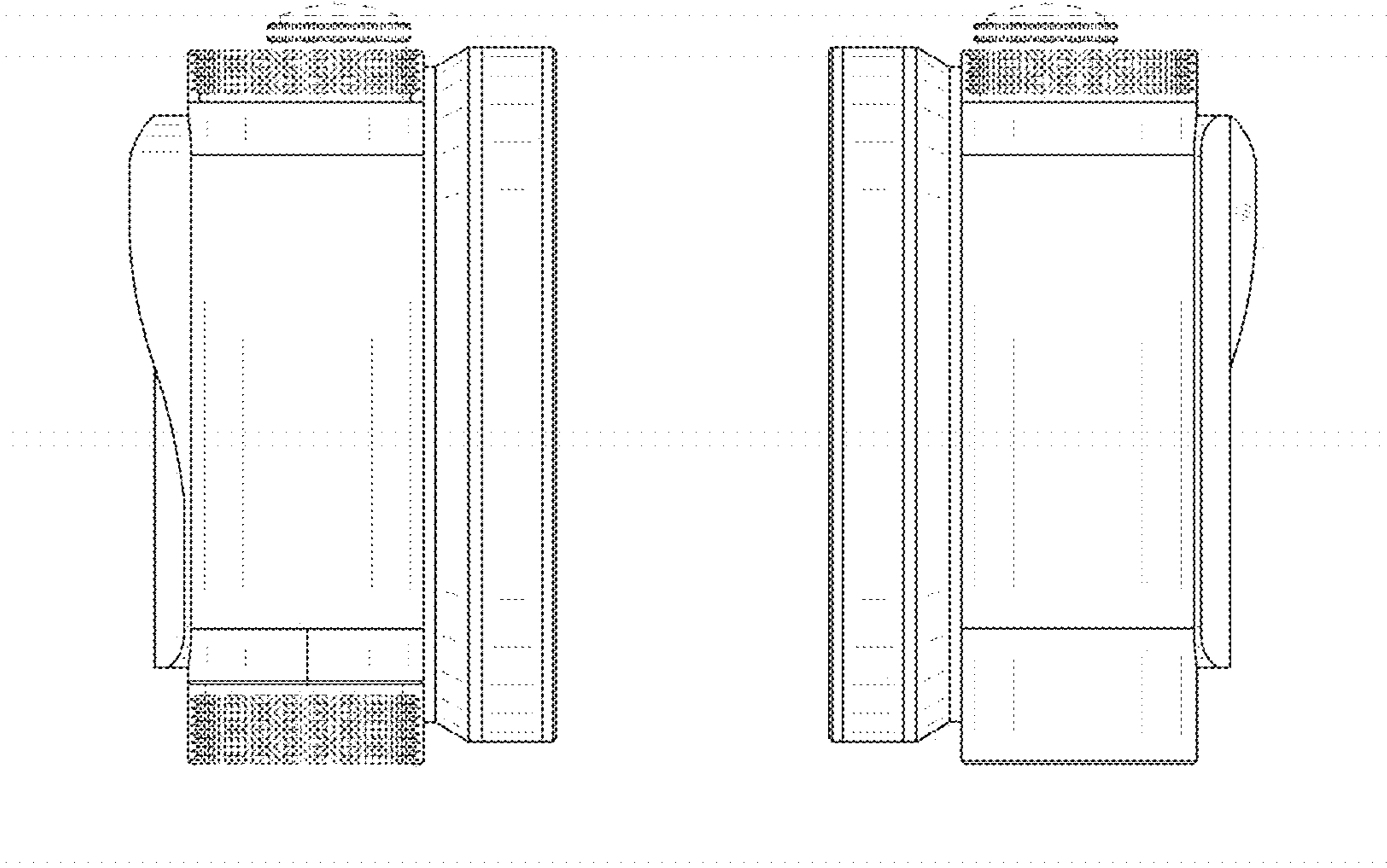


FIG. 6

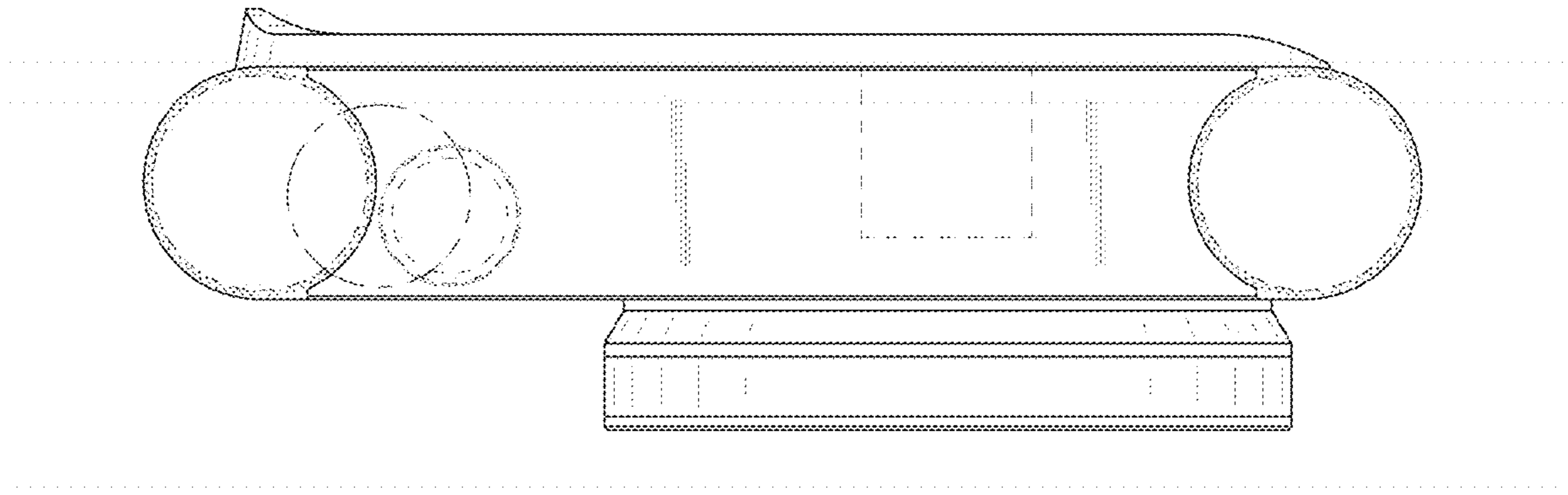


FIG. 7

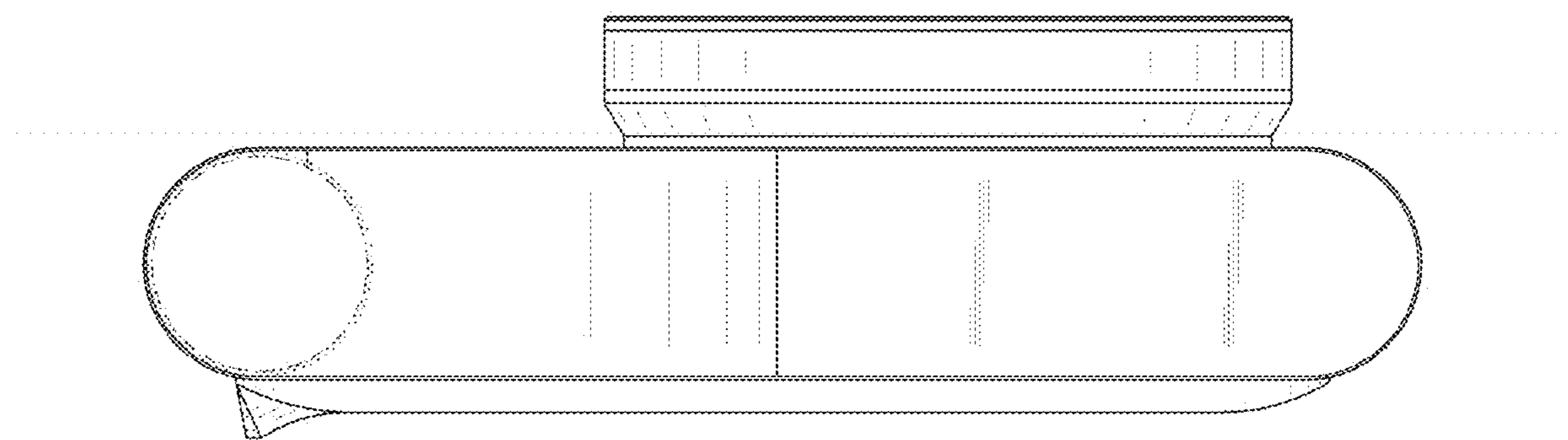


FIG. 8

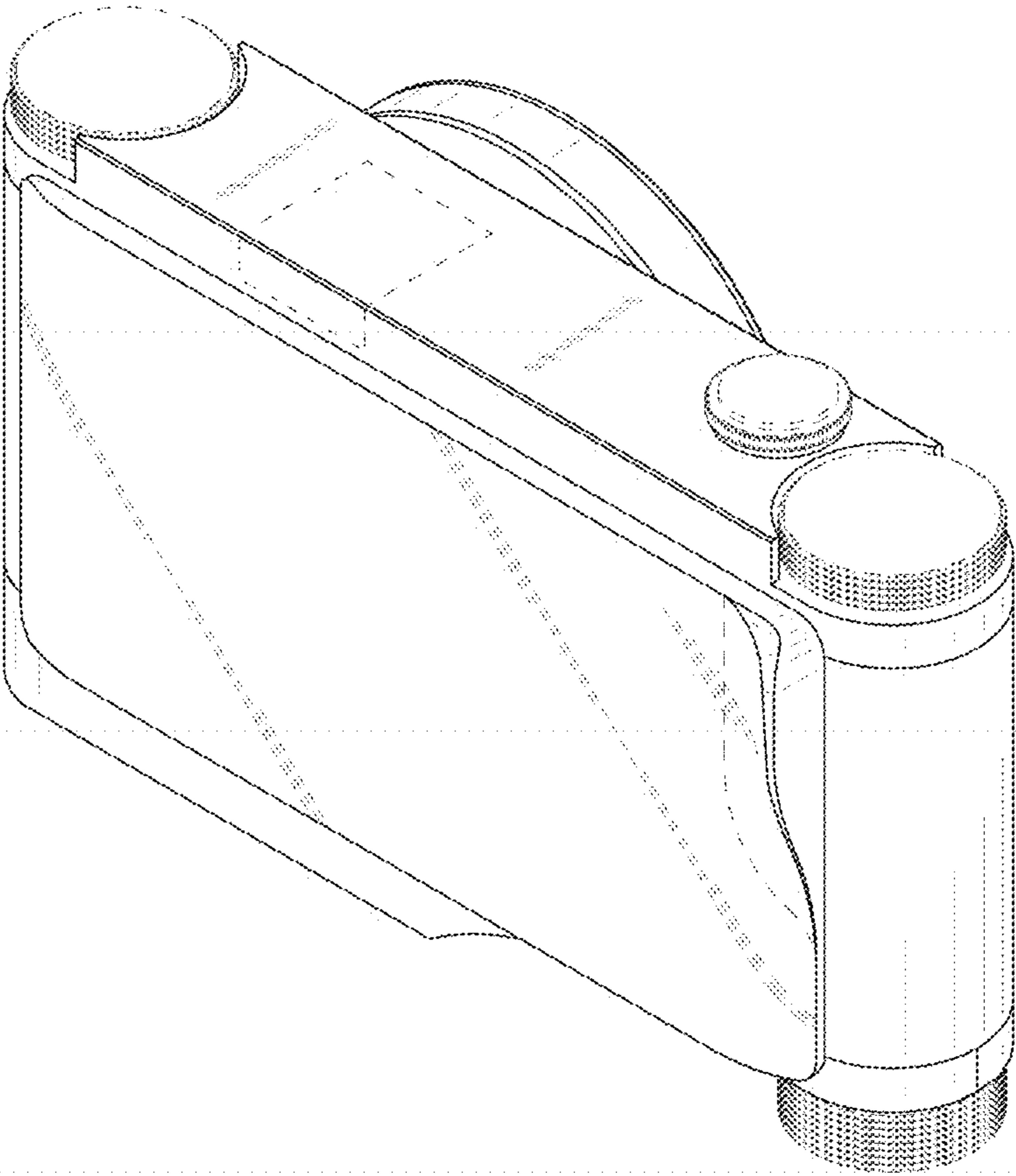


FIG. 9

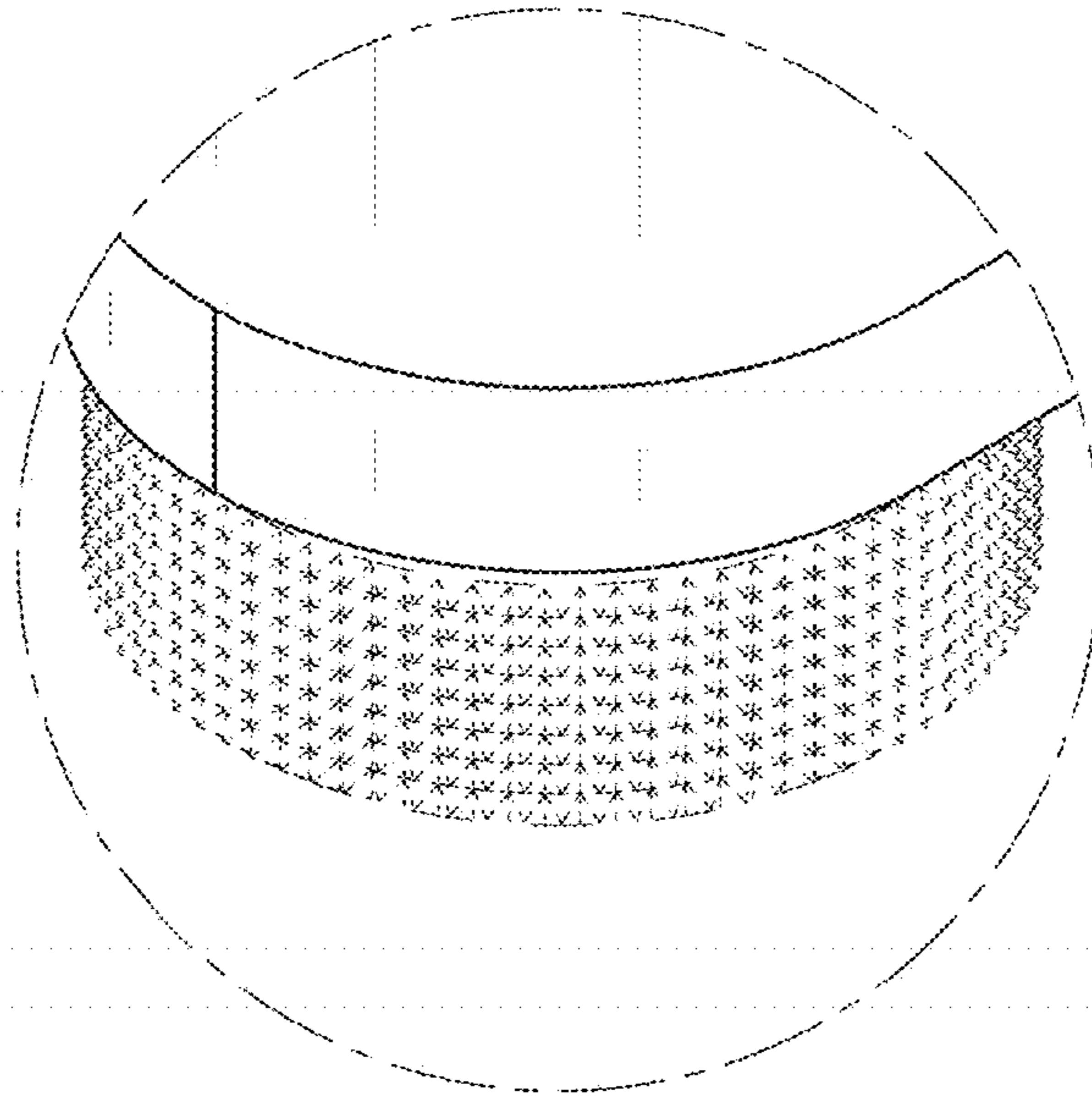


FIG. 10

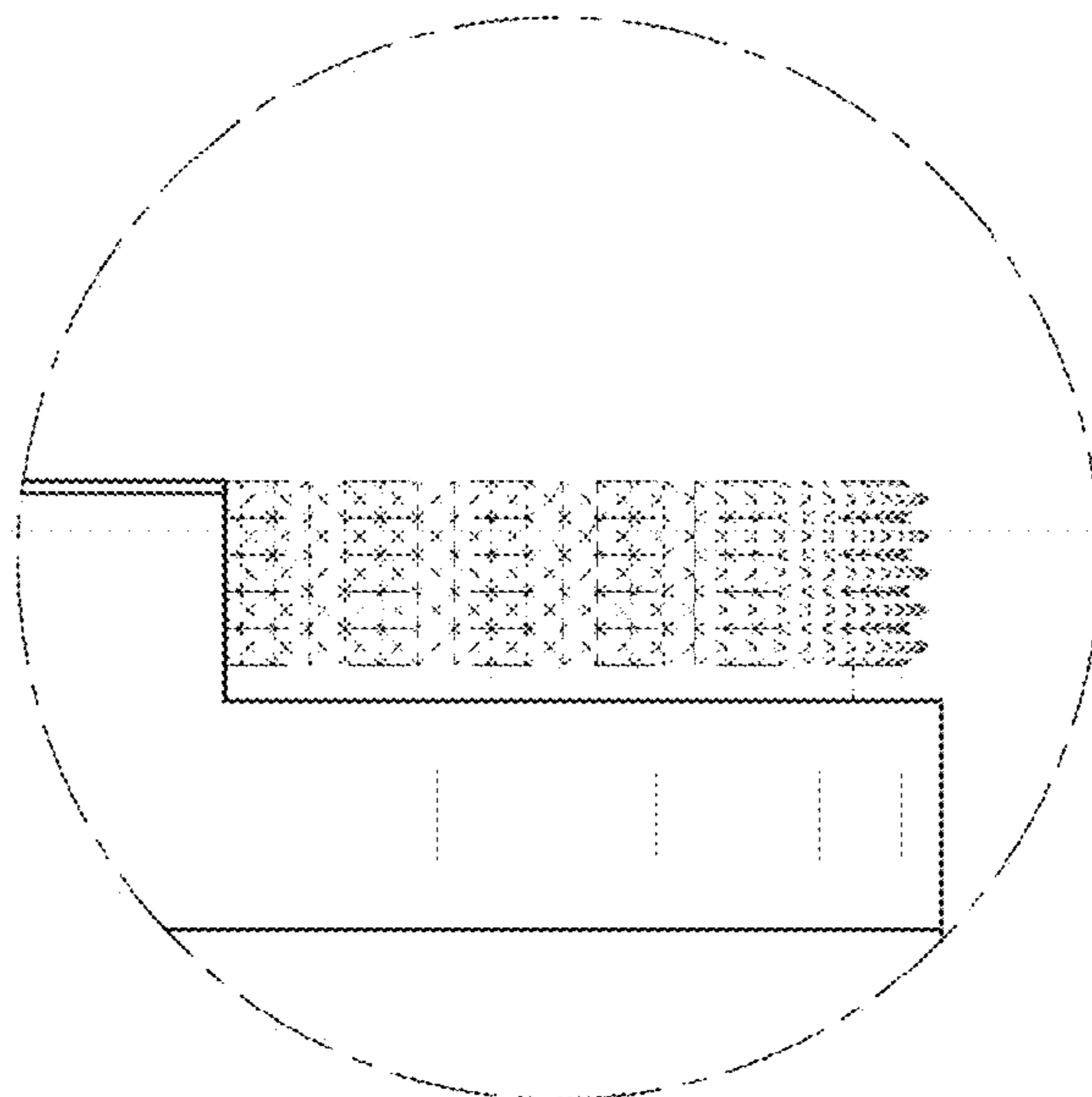


FIG. 11

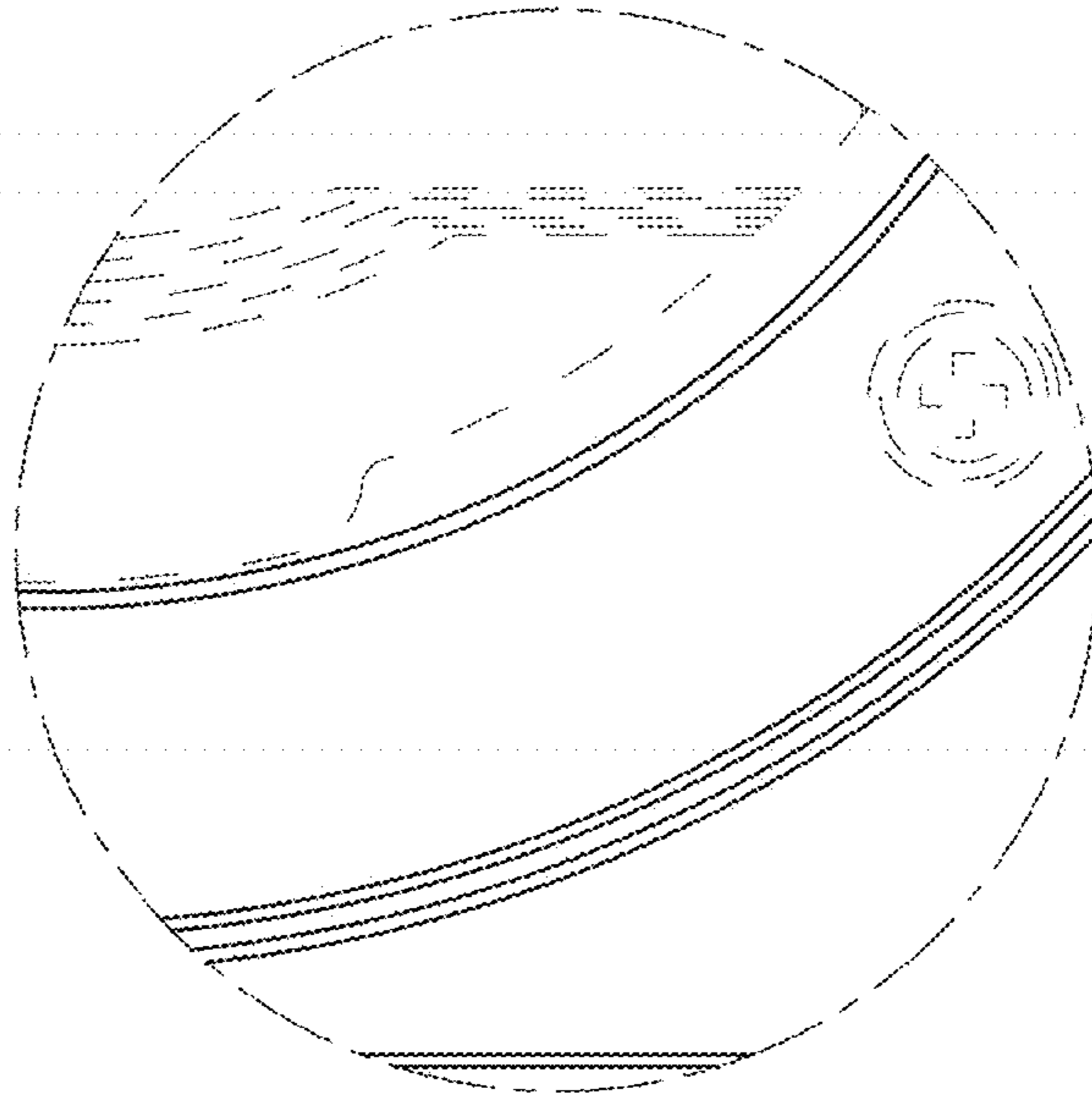


FIG. 12

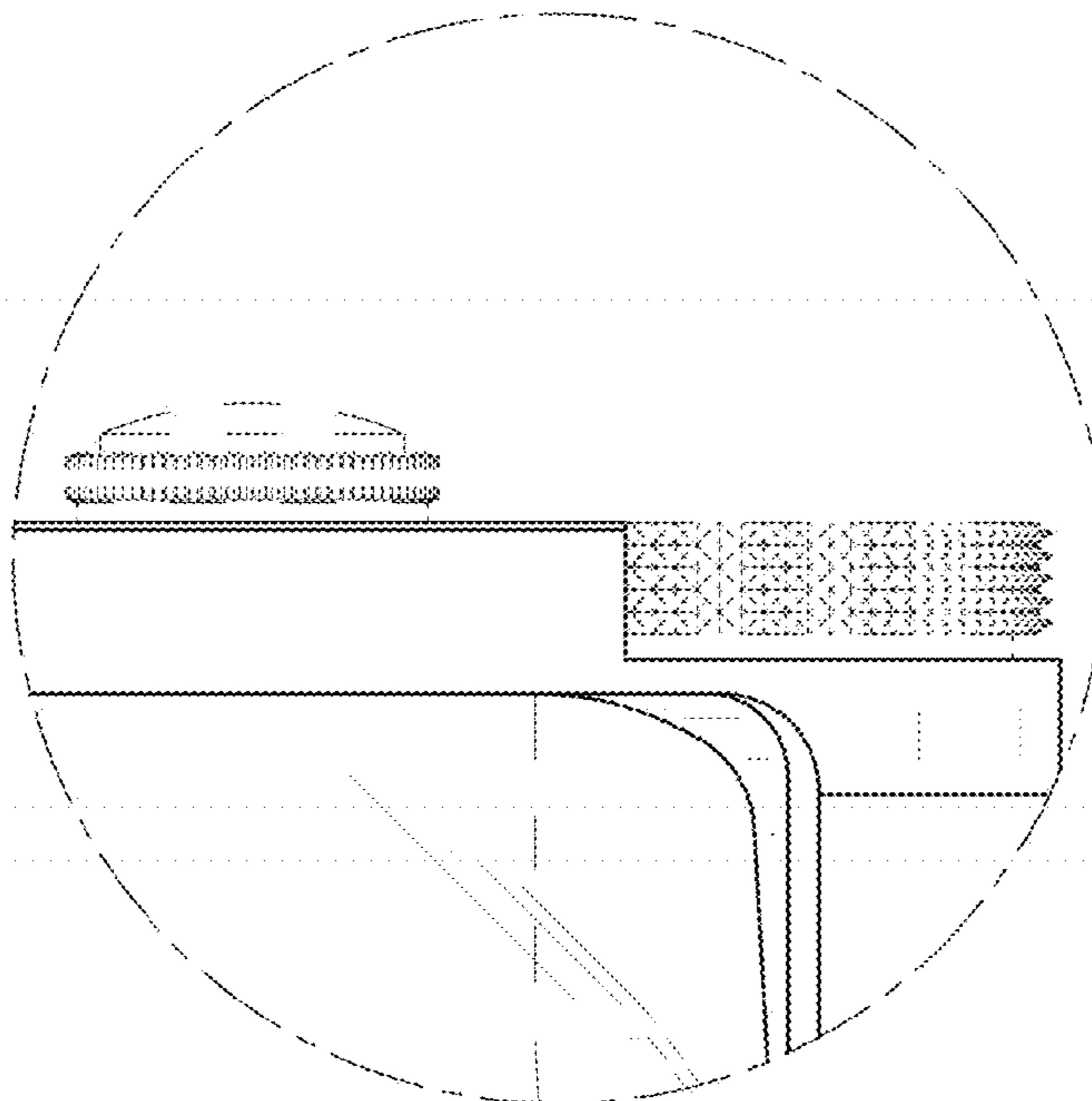


FIG.13

