



US00D728647S

(12) **United States Design Patent**  
**Savill, Jr.**

(10) **Patent No.:** **US D728,647 S**

(45) **Date of Patent:** **\*\* May 5, 2015**

(54) **ELECTRODE**

(75) Inventor: **Robert F. Savill, Jr.**, Levittown, NY  
(US)

(73) Assignee: **Oerlikon Metco (US) Inc.**, Westbury,  
NY (US)

(\*\*) Term: **14 Years**

(21) Appl. No.: **29/420,557**

(22) Filed: **May 10, 2012**

(51) **LOC (10) Cl.** ..... **15-09**

(52) **U.S. Cl.**  
USPC ..... **D15/144**

(58) **Field of Classification Search**  
USPC ..... D8/373; D15/144, 144.1, 144.2;  
D23/223, 263; 138/109, 120, 155, 177;  
219/76.16, 121.38, 121.44–121.55  
See application file for complete search history.

D582,951 S *	12/2008	Yamaguchi et al. ....	D15/144
D582,952 S *	12/2008	Yamaguchi et al. ....	D15/144
D647,548 S	10/2011	Savill, Jr.	
D653,270 S *	1/2012	Furujo et al. ....	D15/144
D654,104 S *	2/2012	Fitzpatrick et al. ....	D15/144
D670,247 S *	11/2012	Savill, Jr. ....	D13/130
D675,171 S *	1/2013	Tanaka ....	D13/182
D687,874 S *	8/2013	Furujo et al. ....	D15/144.2
2009/0057277 A1 *	3/2009	Renault et al. ....	219/121.5
2010/0237050 A1 *	9/2010	Zehavi ....	219/121.47
2010/0264120 A1 *	10/2010	Reinke et al. ....	219/121.5

\* cited by examiner

*Primary Examiner* — Patricia Palasik

(74) *Attorney, Agent, or Firm* — Greenblum & Bernstein,  
P.L.C.

(57) **CLAIM**

I claim the ornamental design for an electrode, as shown and described.

(56) **References Cited**

U.S. PATENT DOCUMENTS

D231,834 S *	6/1974	Gulrich ....	D15/144
D446,530 S *	8/2001	Kuraoka et al. ....	D15/144
6,559,407 B2 *	5/2003	Chancey et al. ....	219/121.47
D505,963 S *	6/2005	Conway et al. ....	D15/139
D517,577 S *	3/2006	Conway et al. ....	D15/144
D527,401 S *	8/2006	Mizuno et al. ....	D15/144
D535,672 S *	1/2007	MacKenzie et al. ....	D15/144
7,176,404 B2 *	2/2007	Herres ....	219/121.5
D551,182 S *	9/2007	Furukawa et al. ....	D10/101
D582,950 S *	12/2008	Yamaguchi et al. ....	D15/144

**DESCRIPTION**

FIG. 1 is a side view of one embodiment of the electrode;  
FIG. 2 is a front side view of FIG. 1;  
FIG. 3 shows a back side view of FIG. 1;  
FIG. 4 shows a top side view of FIG. 3; and,  
FIG. 5 shows a front side perspective view of FIG. 1.  
Any surfaces of the design not shown, including interior  
surfaces and any surfaces shown in broken lines, form no part  
of the claimed invention.

**1 Claim, 2 Drawing Sheets**

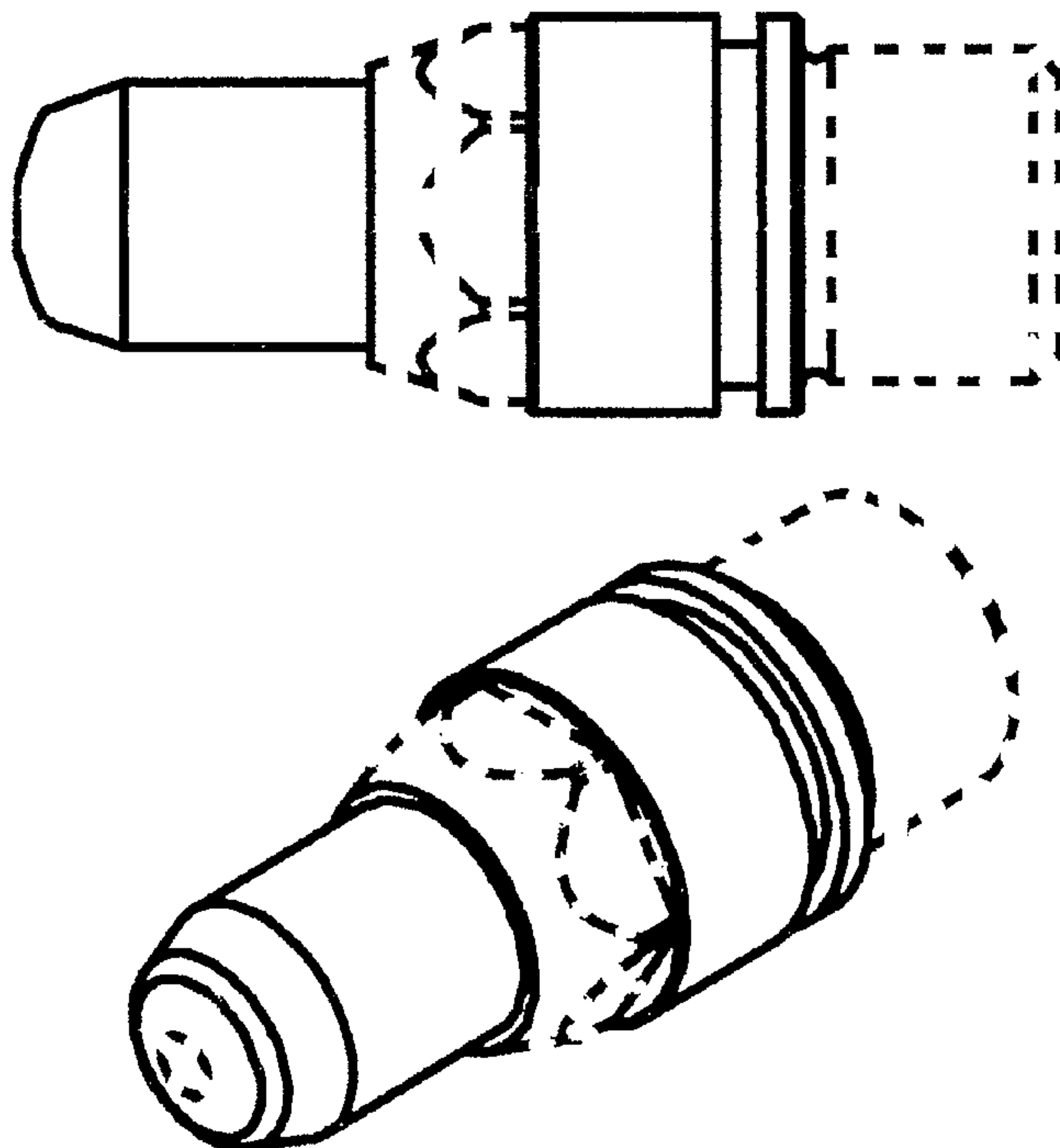


FIG. 1

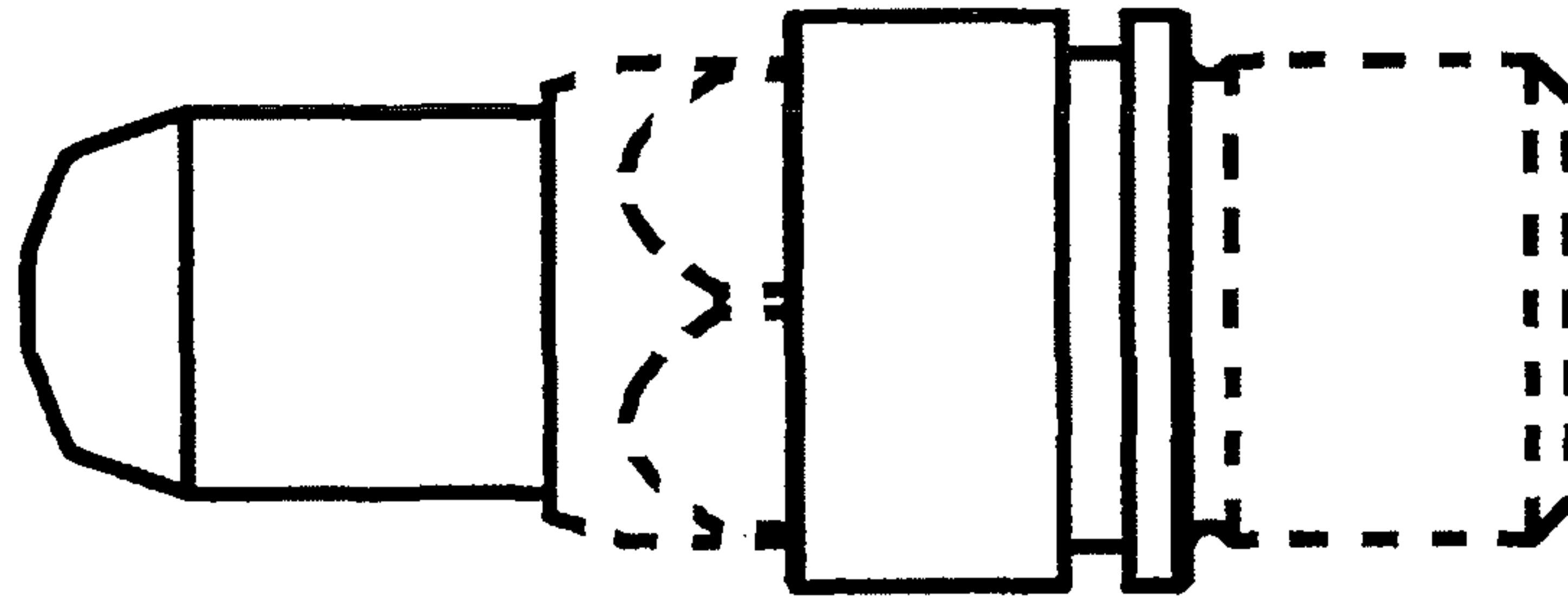


FIG. 2

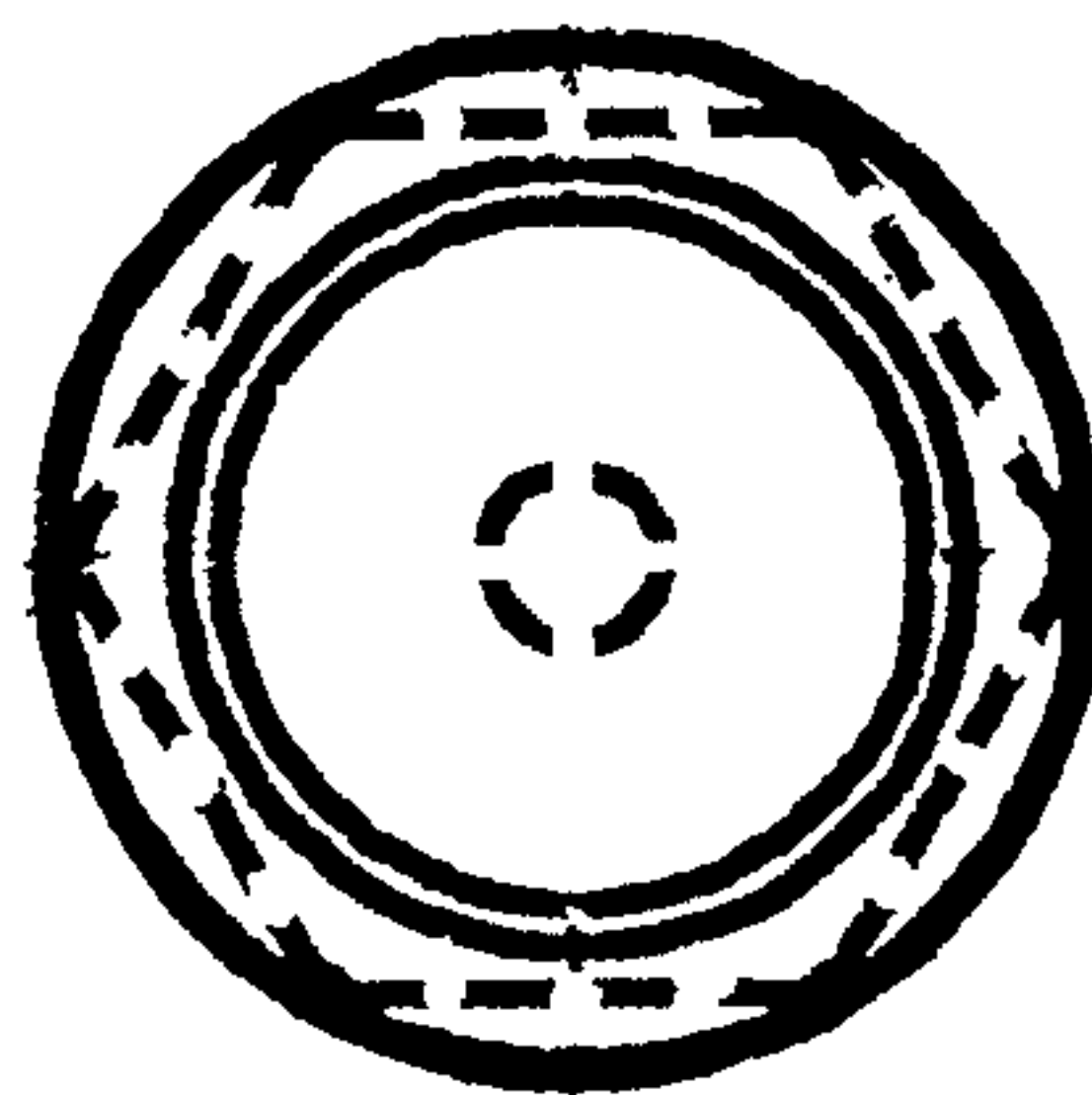


FIG. 3

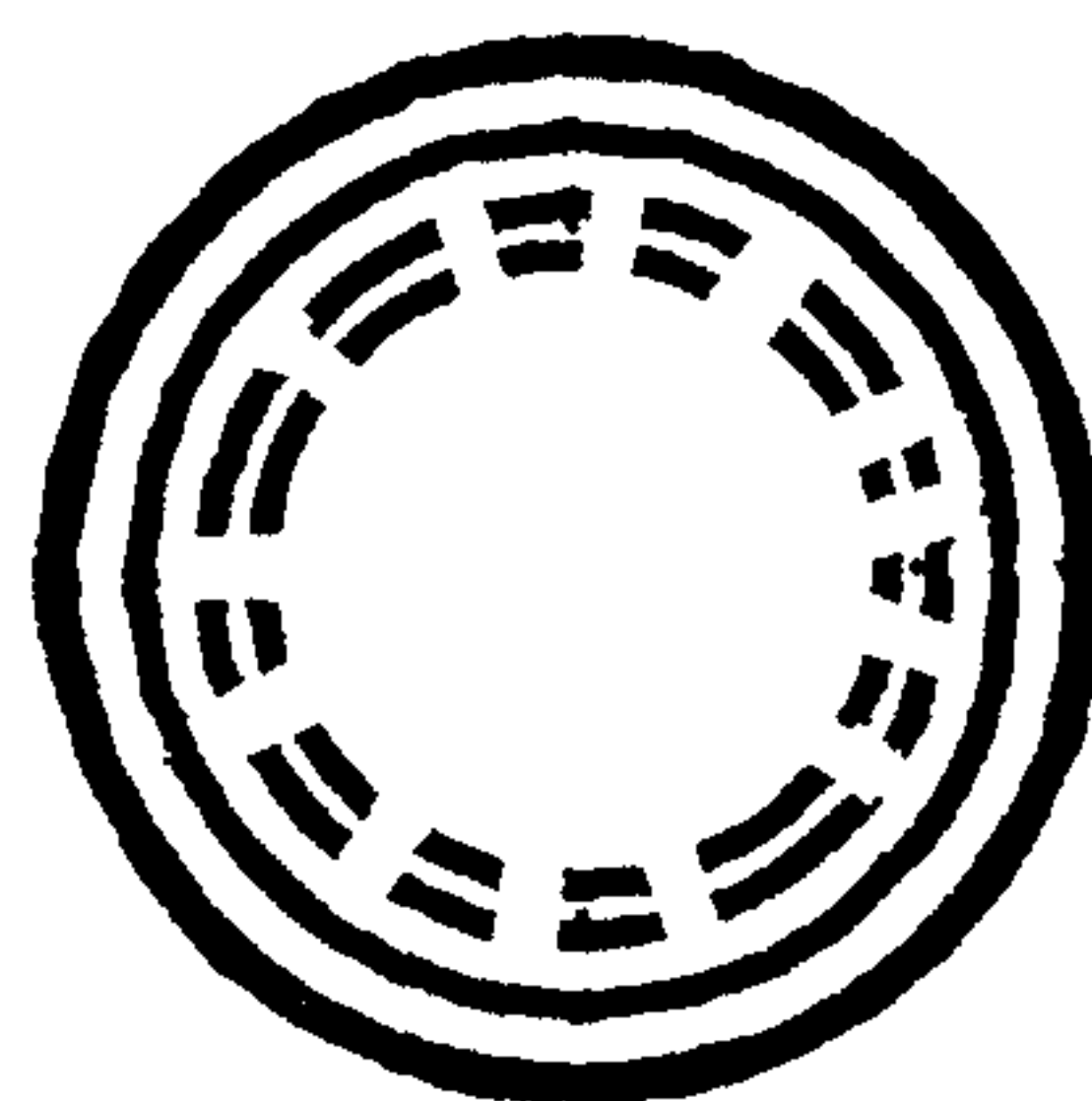


FIG. 4

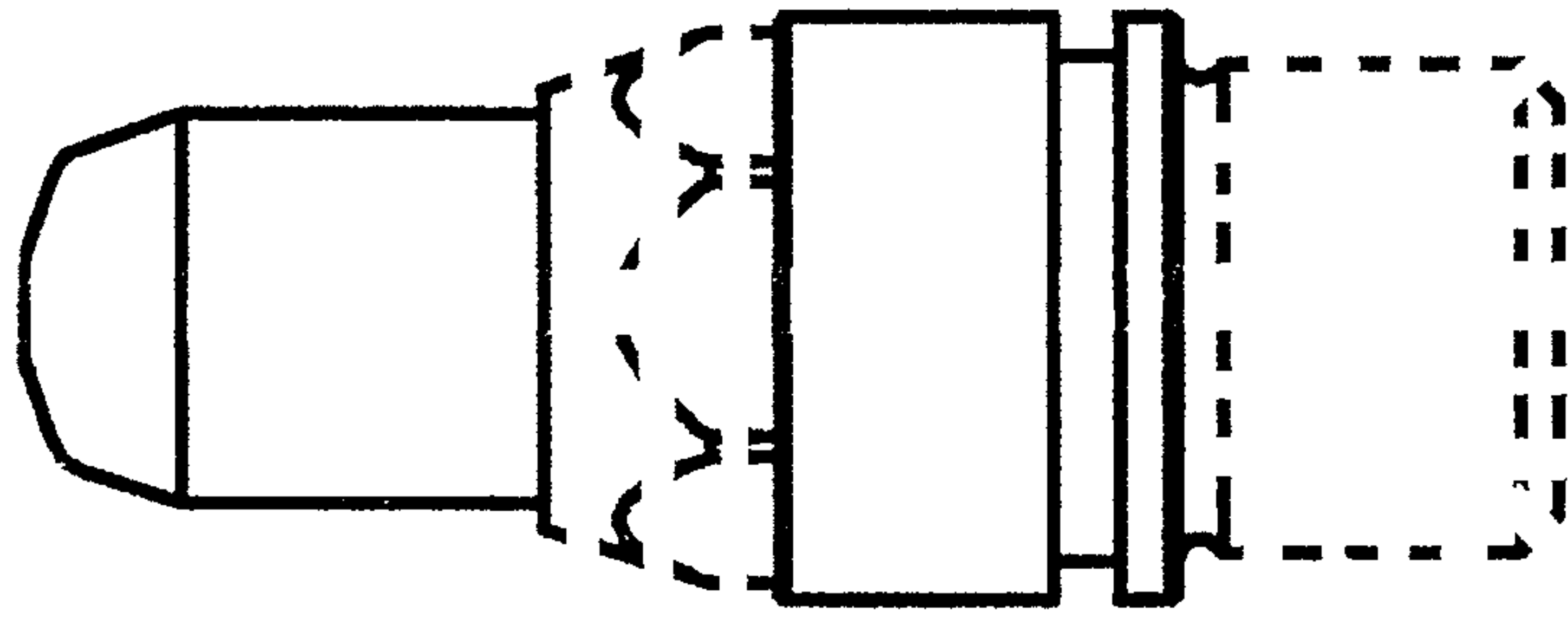


FIG. 5

