



US00D728642S

(12) **United States Design Patent**
Hattori et al.

(10) **Patent No.:** **US D728,642 S**

(45) **Date of Patent:** **** May 5, 2015**

(54) **SEWING MACHINE**

(71) Applicants: **Mitsuharu Hattori**, Nagoya (JP); **Kayo Hasui**, Nagoya (JP)

(72) Inventors: **Mitsuharu Hattori**, Nagoya (JP); **Kayo Hasui**, Nagoya (JP)

(73) Assignee: **Brother Industries, Ltd.**, Nagoya (JP)

(**) Term: **14 Years**

(21) Appl. No.: **29/484,856**

(22) Filed: **Mar. 13, 2014**

(51) **LOC (10) Cl.** **15-06**

(52) **U.S. Cl.**
USPC **D15/72**

(58) **Field of Classification Search**
USPC D15/66-76; 112/258-261,
112/217.1-217.4, 63, 444, 475.01, 78, 154,
112/2

See application file for complete search history.

(56) **References Cited**

U.S. PATENT DOCUMENTS

D515,109 S * 2/2006 Iwai D15/70
D578,553 S * 10/2008 Inada D15/69

D594,481 S * 6/2009 Inada D15/69
D603,882 S * 11/2009 Inada D15/72
D648,758 S * 11/2011 Muto D15/69
D687,869 S * 8/2013 Hattori D15/69
D687,870 S * 8/2013 Hattori D15/69
D720,372 S * 12/2014 Kanai D15/69

* cited by examiner

Primary Examiner — Mitchell Siegel

(74) *Attorney, Agent, or Firm* — Oliff PLC

(57) **CLAIM**

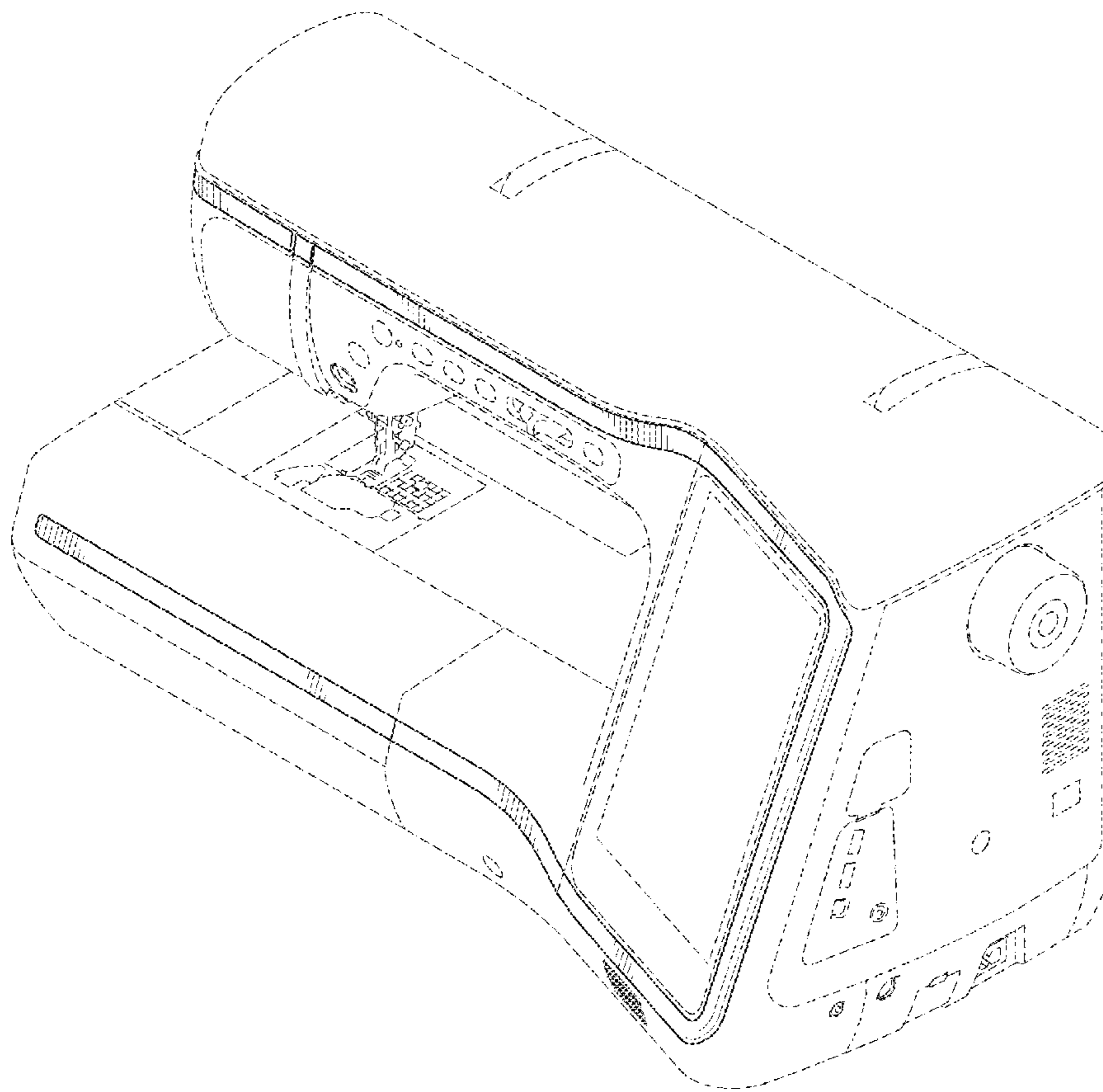
The ornamental design for a sewing machine, as shown and described.

DESCRIPTION

FIG. 1 is a perspective view of a sewing machine;
FIG. 2 is a front view thereof;
FIG. 3 is a top view thereof;
FIG. 4 is a right-side view thereof;
FIG. 5 is a left-side view thereof; and,
FIG. 6 is a rear view thereof.

The broken lines depict environmental subject matter only and form no part of the claimed design. The bottom view depicts unclaimed subject matter only and thus is not shown.

1 Claim, 5 Drawing Sheets



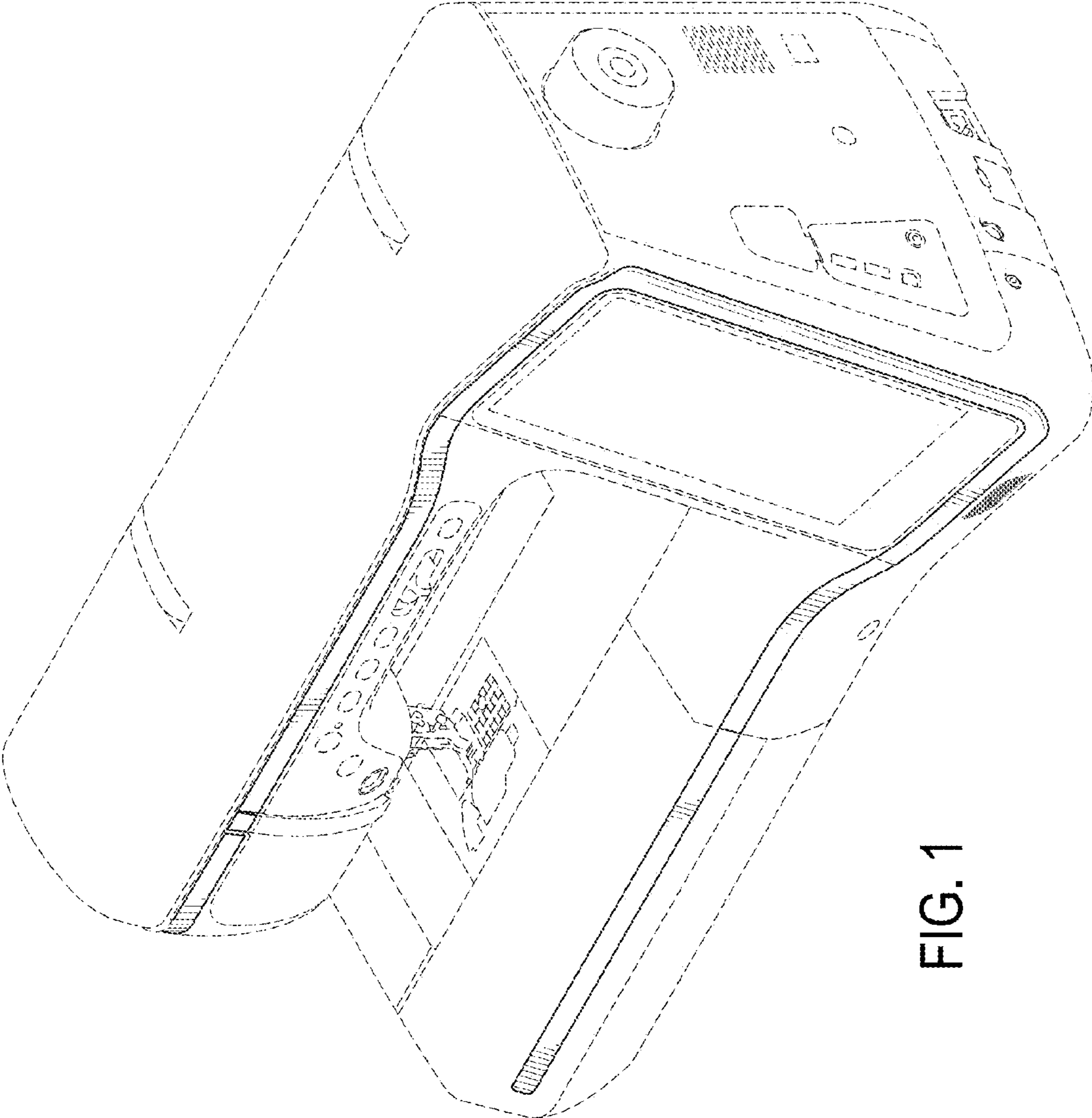


FIG. 1

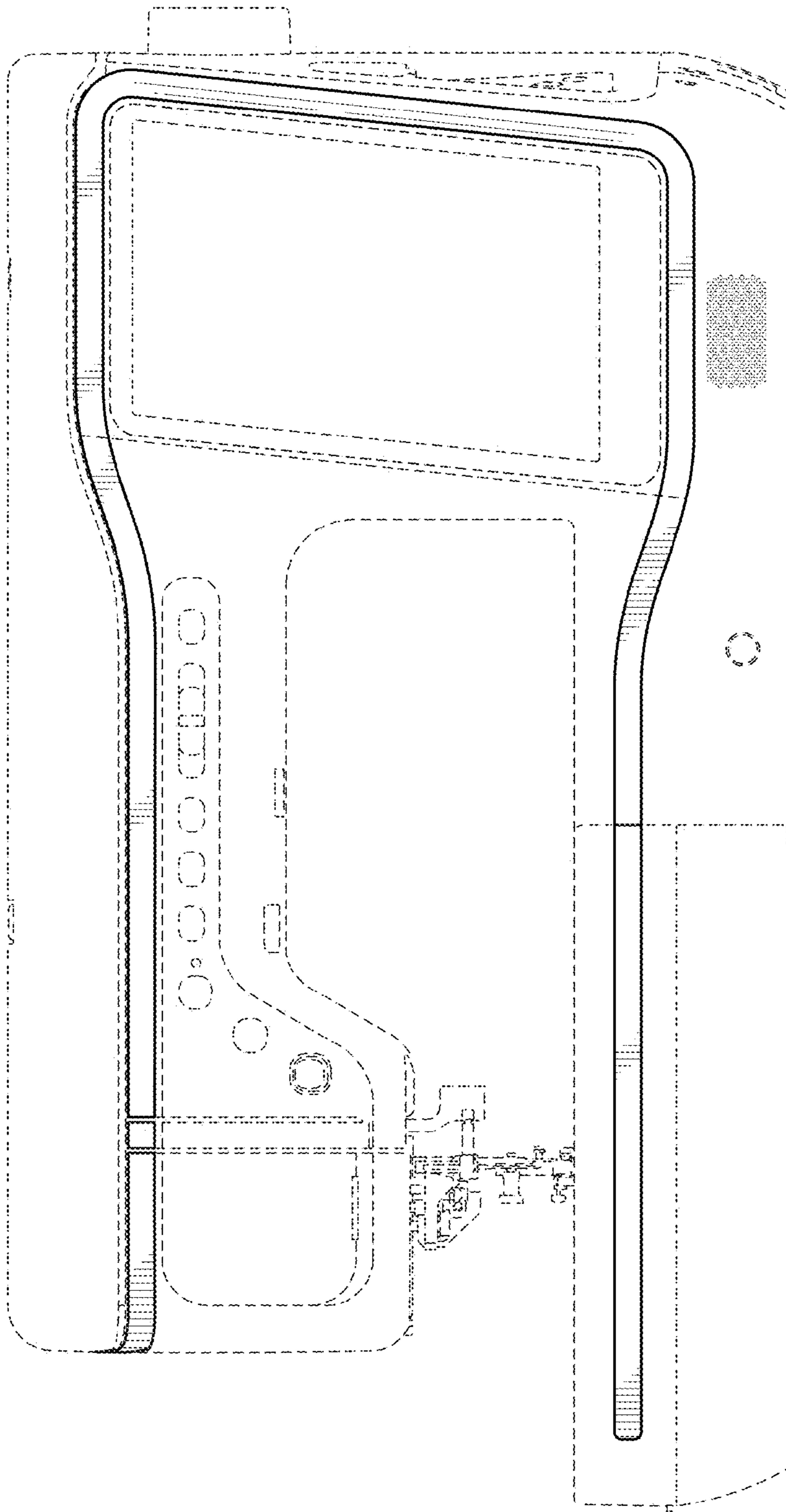


FIG. 2

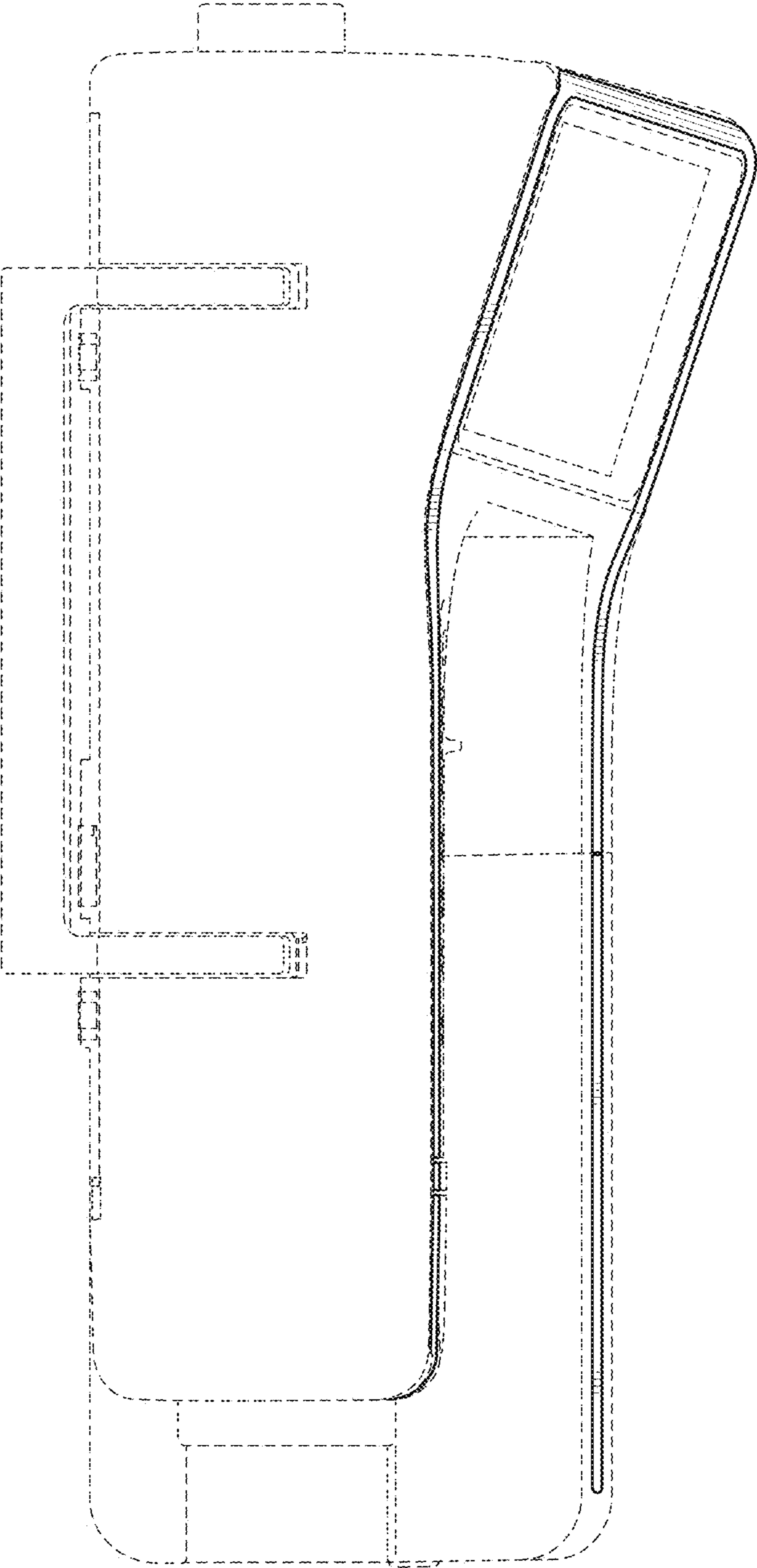


FIG. 3

FIG. 4

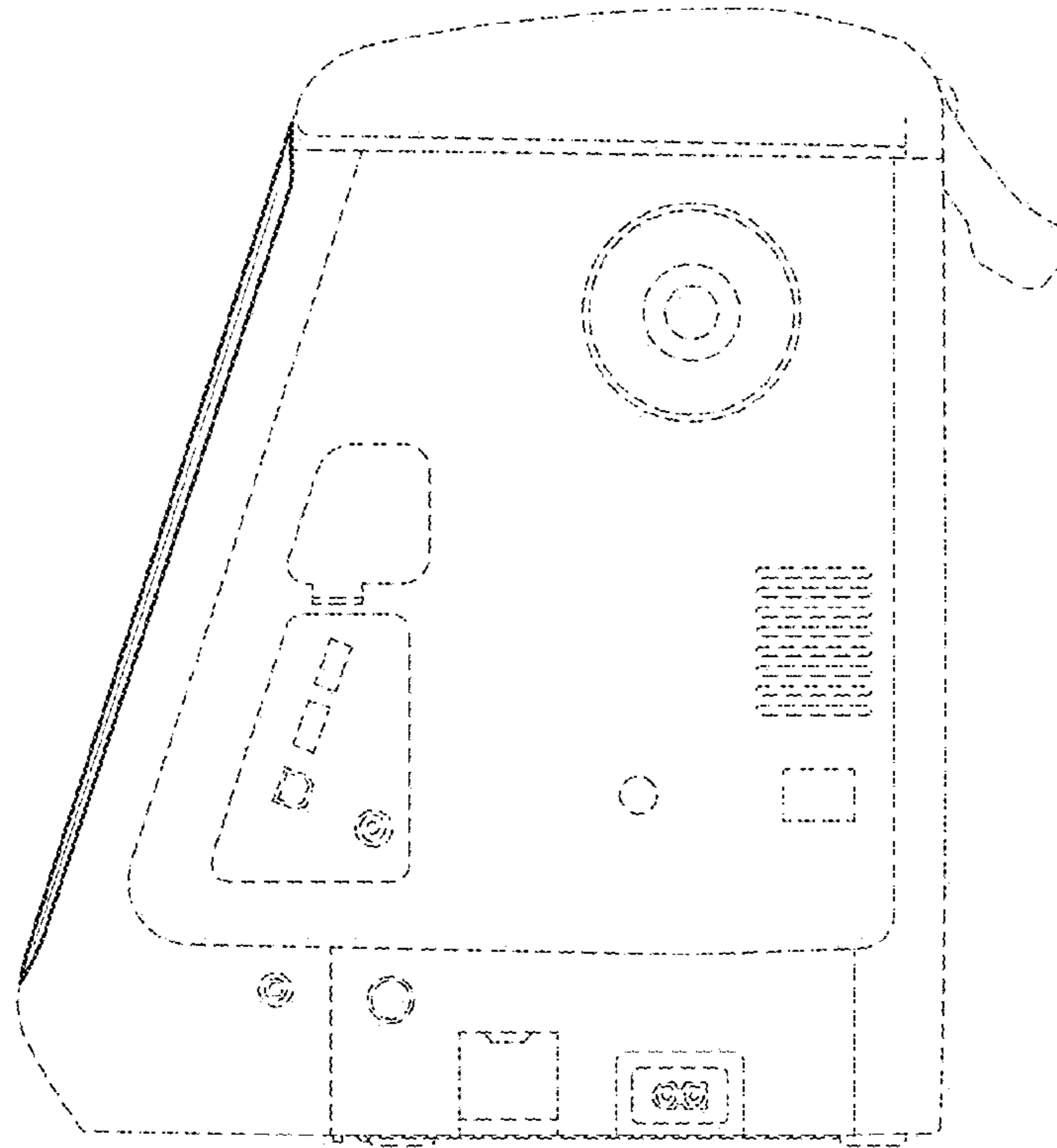
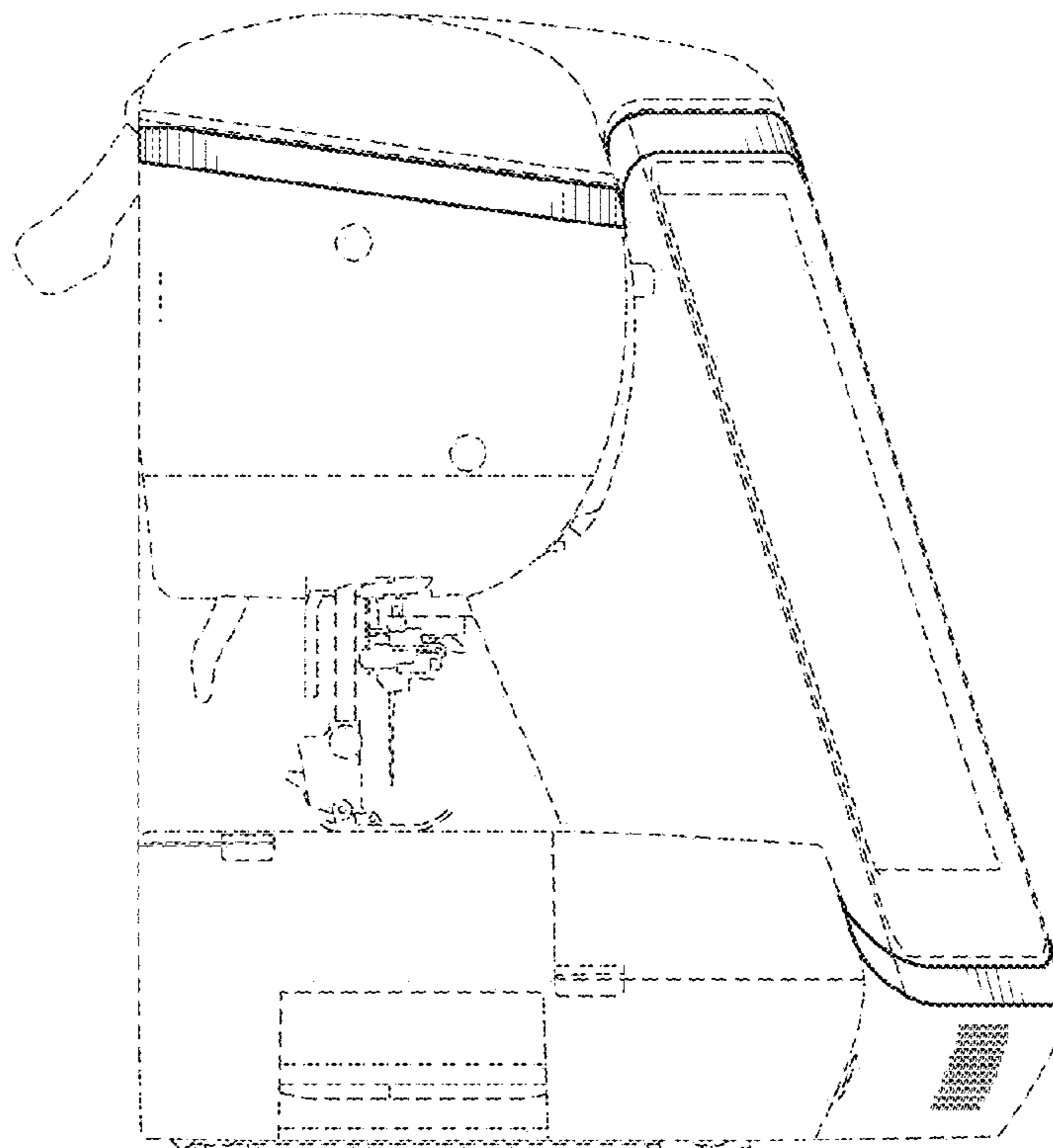


FIG. 5



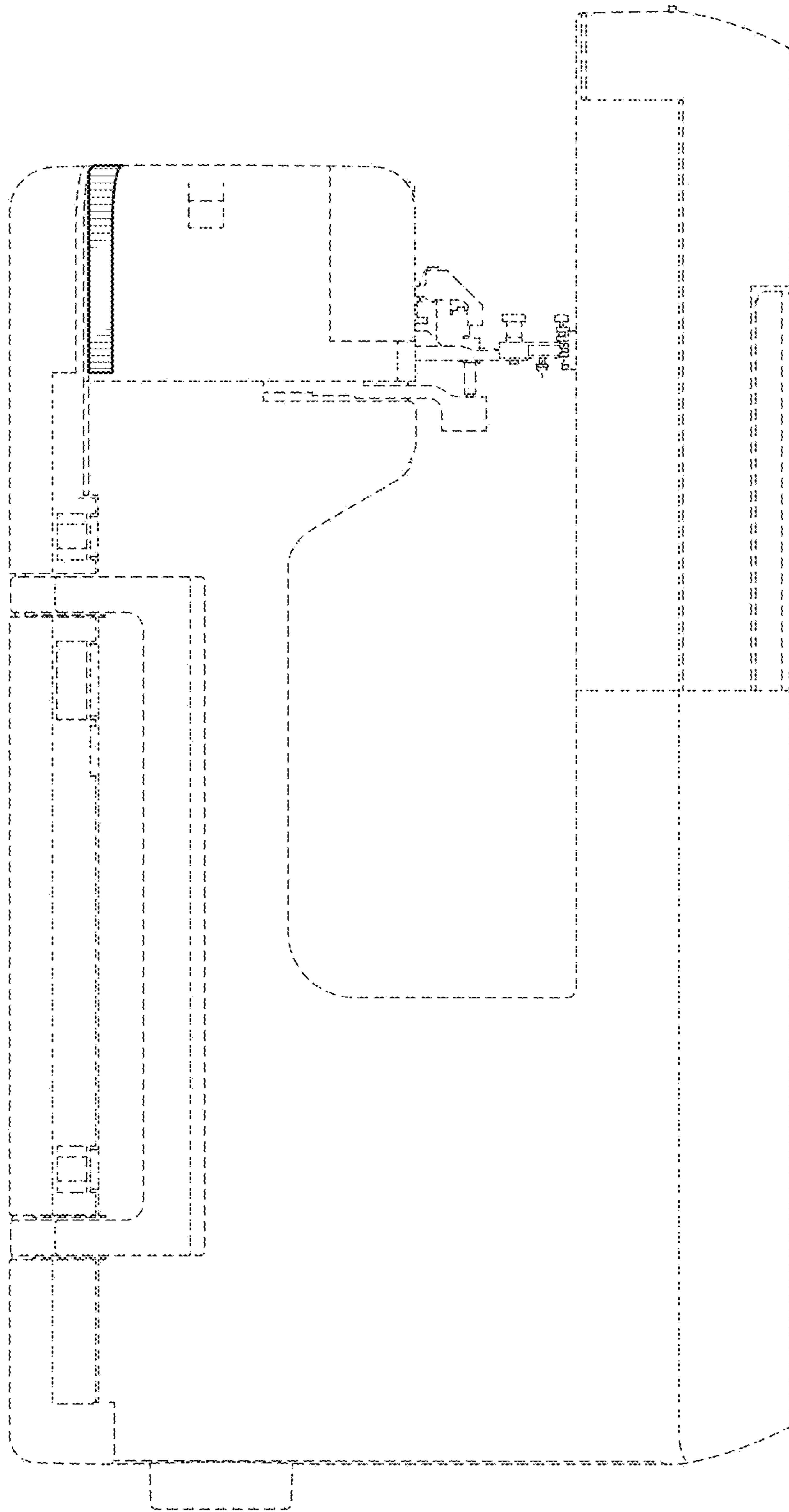


FIG. 6