



US00D728641S

(12) **United States Design Patent**  
**Hattori et al.**

(10) **Patent No.:** **US D728,641 S**  
(45) **Date of Patent:** **\*\* May 5, 2015**

(54) **SEWING MACHINE**

(71) Applicants: **Mitsuharu Hattori**, Nagoya (JP); **Kayo Hasui**, Nagoya (JP)

(72) Inventors: **Mitsuharu Hattori**, Nagoya (JP); **Kayo Hasui**, Nagoya (JP)

(73) Assignee: **Brother Industries, Ltd.**, Nagoya (JP)

(\*\*) Term: **14 Years**

(21) Appl. No.: **29/484,855**

(22) Filed: **Mar. 13, 2014**

(51) **LOC (10) Cl.** ..... **15-06**

(52) **U.S. Cl.**  
USPC ..... **D15/69**

(58) **Field of Classification Search**  
USPC ..... D15/66-76; 112/258-261,  
112/217.1-217.4, 63, 444, 475.01, 78, 154,  
112/2

See application file for complete search history.

(56) **References Cited**

**U.S. PATENT DOCUMENTS**

D515,109 S \* 2/2006 Iwai ..... D15/70  
D578,553 S \* 10/2008 Inada ..... D15/69

D594,481 S \* 6/2009 Inada ..... D15/69  
D603,882 S \* 11/2009 Inada ..... D15/72  
D648,758 S \* 11/2011 Muto ..... D15/69  
D687,869 S \* 8/2013 Hattori ..... D15/69  
D687,870 S \* 8/2013 Hattori ..... D15/69  
D720,372 S \* 12/2014 Kanai ..... D15/69

\* cited by examiner

*Primary Examiner* — Mitchell Siegel

(74) *Attorney, Agent, or Firm* — Oliff PLC

(57) **CLAIM**

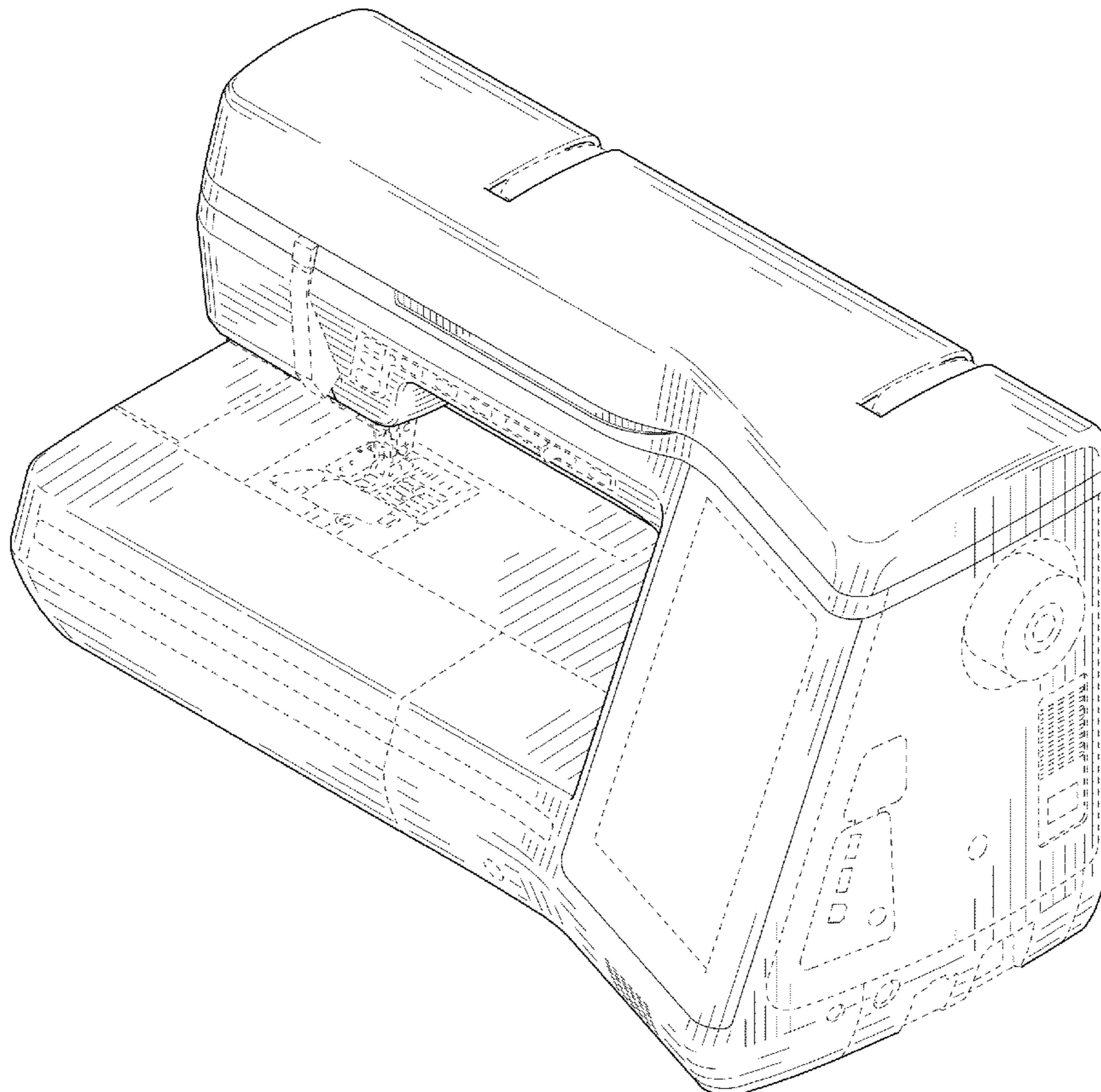
The ornamental design for a sewing machine, as shown and described.

**DESCRIPTION**

FIG. 1 is a perspective view of a sewing machine;  
FIG. 2 is a front view thereof;  
FIG. 3 is a top view thereof;  
FIG. 4 is a right-side view thereof;  
FIG. 5 is a left-side view thereof;  
FIG. 6 is a rear view thereof; and,  
FIG. 7 is a bottom view thereof.

The broken lines depict environmental subject matter only and form no part of the claimed design.

**1 Claim, 6 Drawing Sheets**



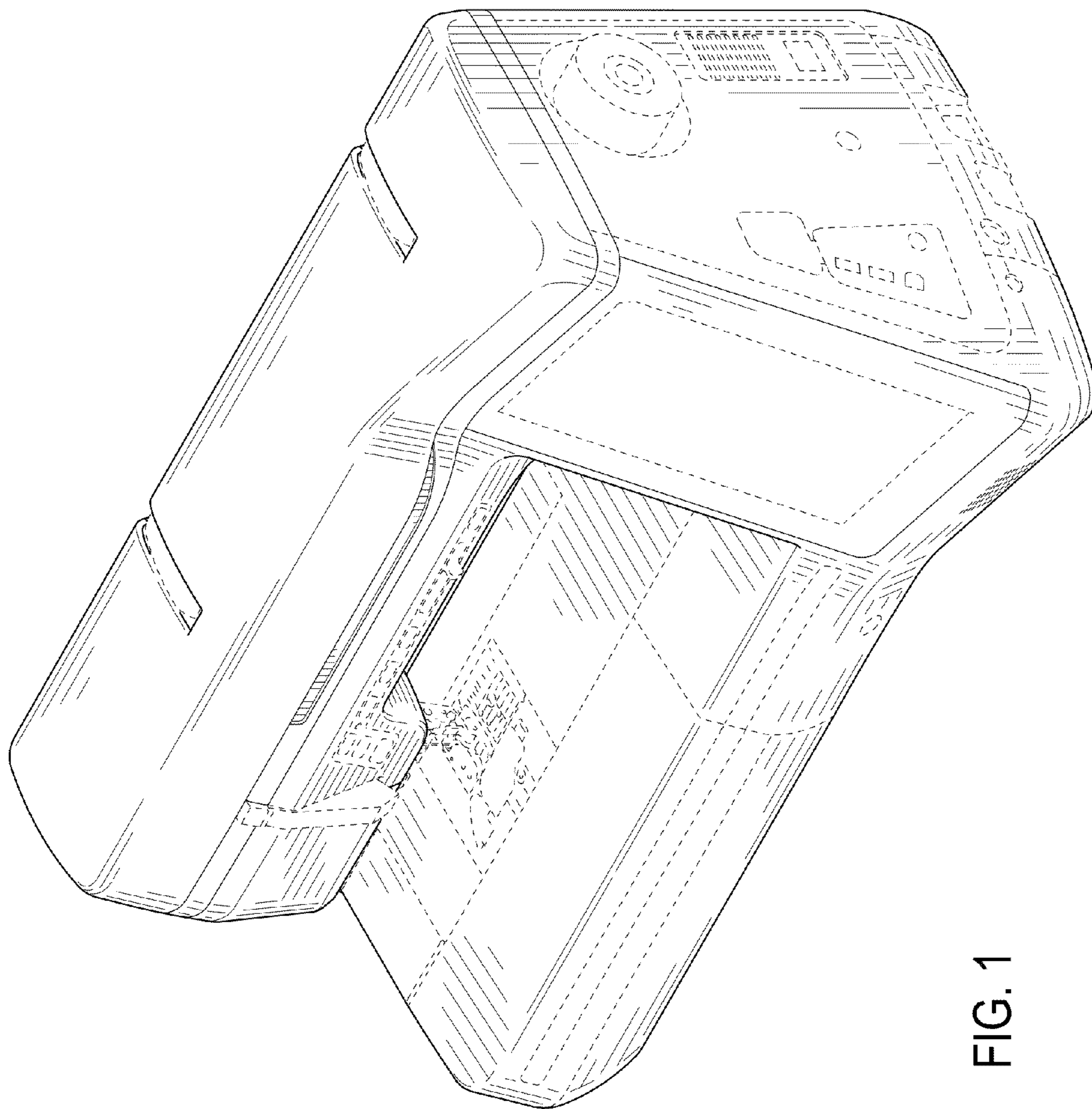


FIG. 1

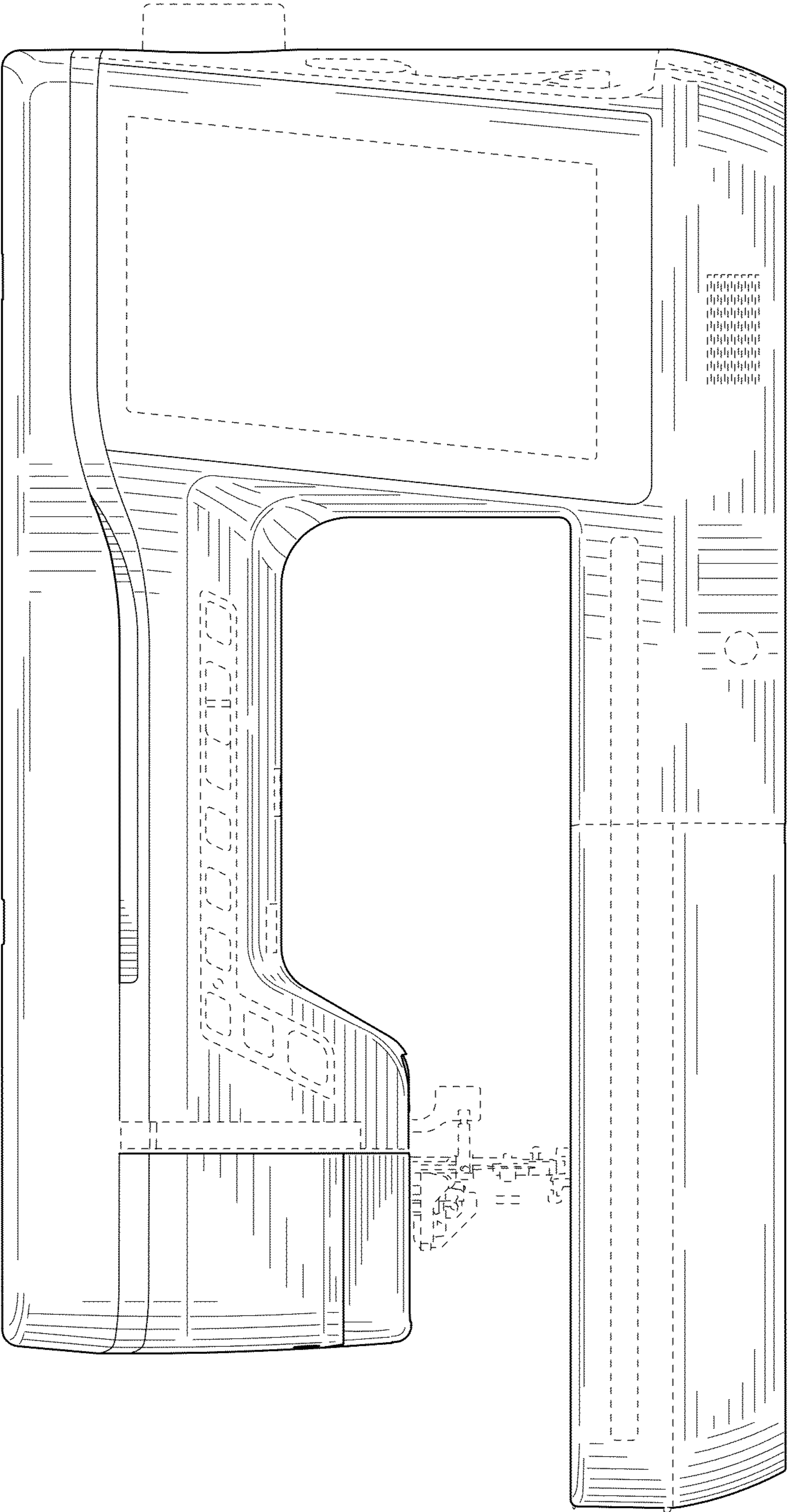


FIG. 2

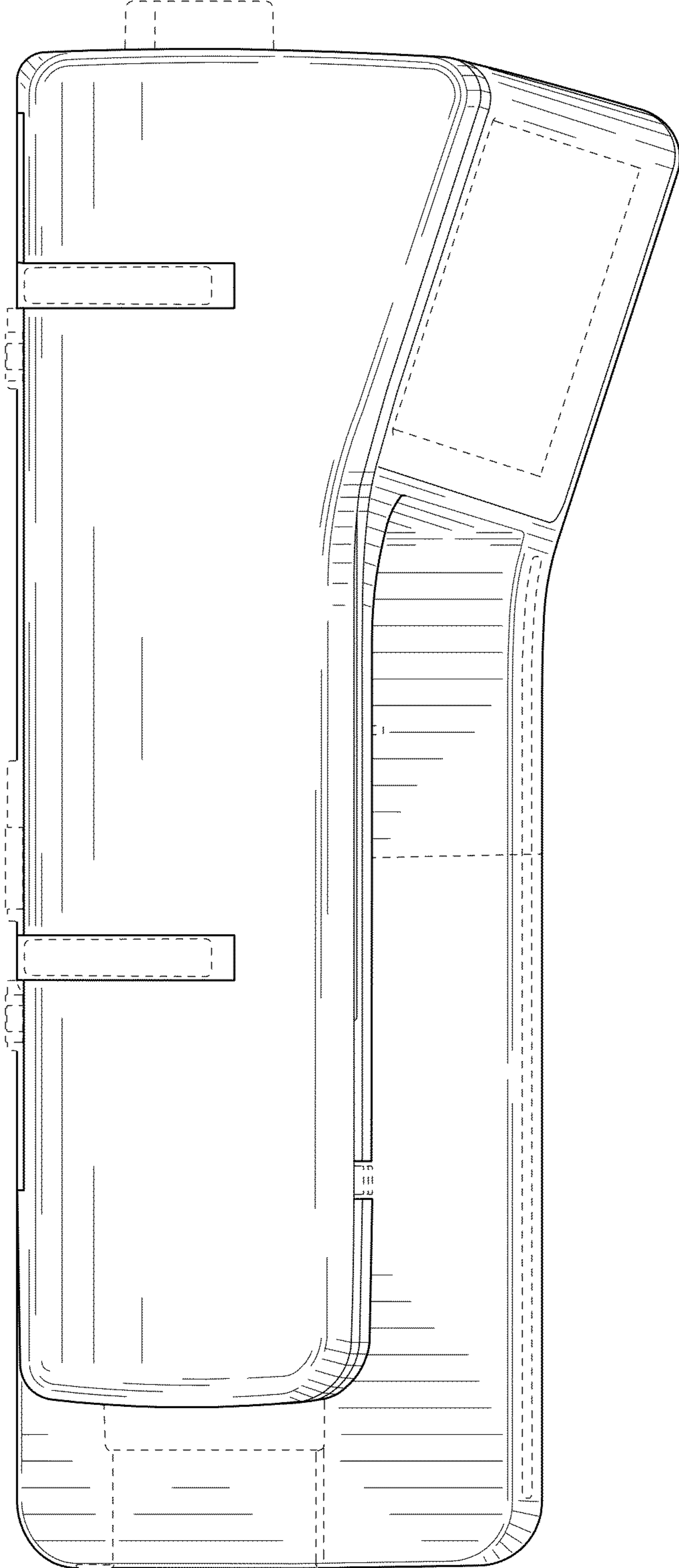


FIG. 3

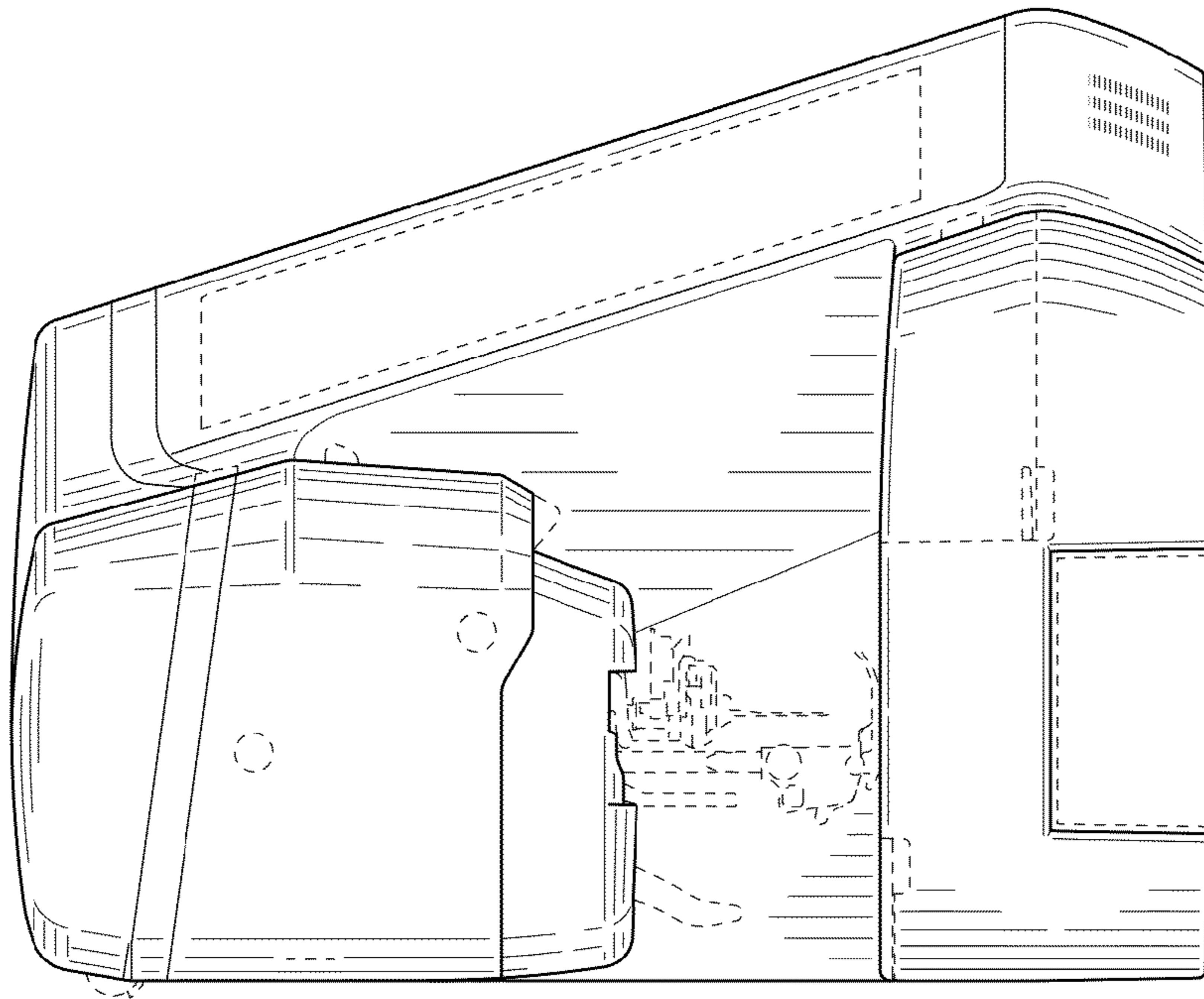


FIG. 5

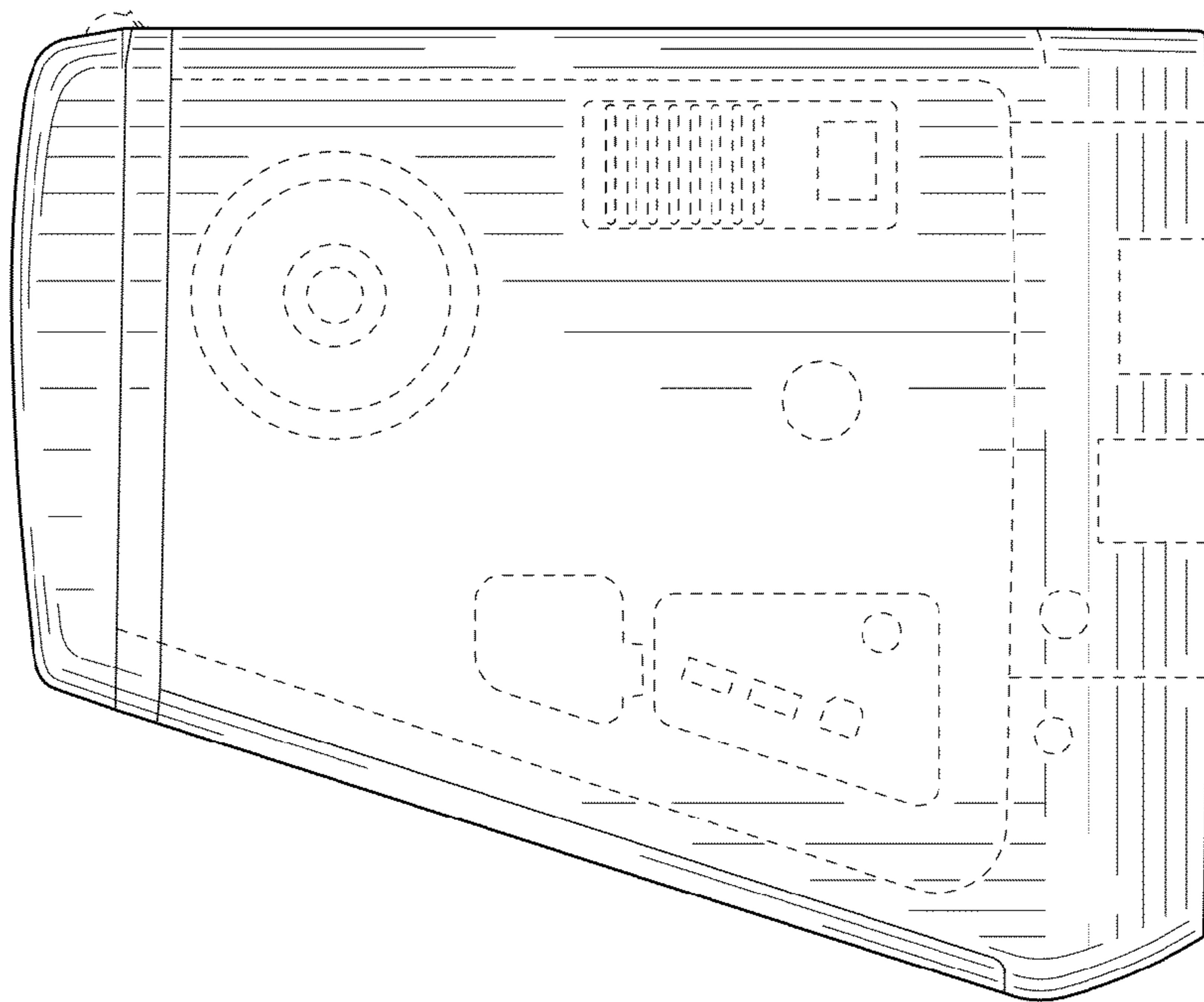


FIG. 4

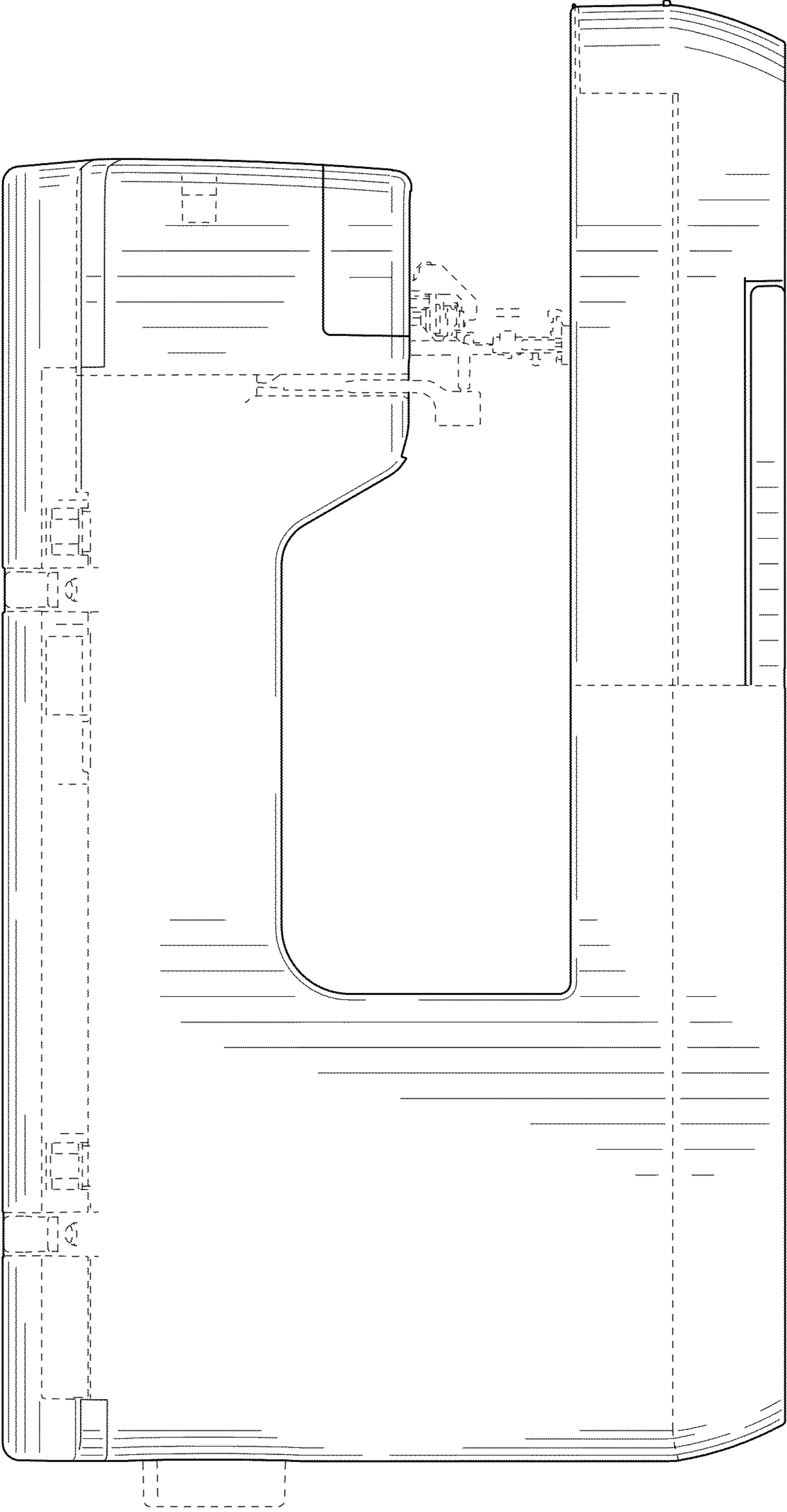


FIG. 6

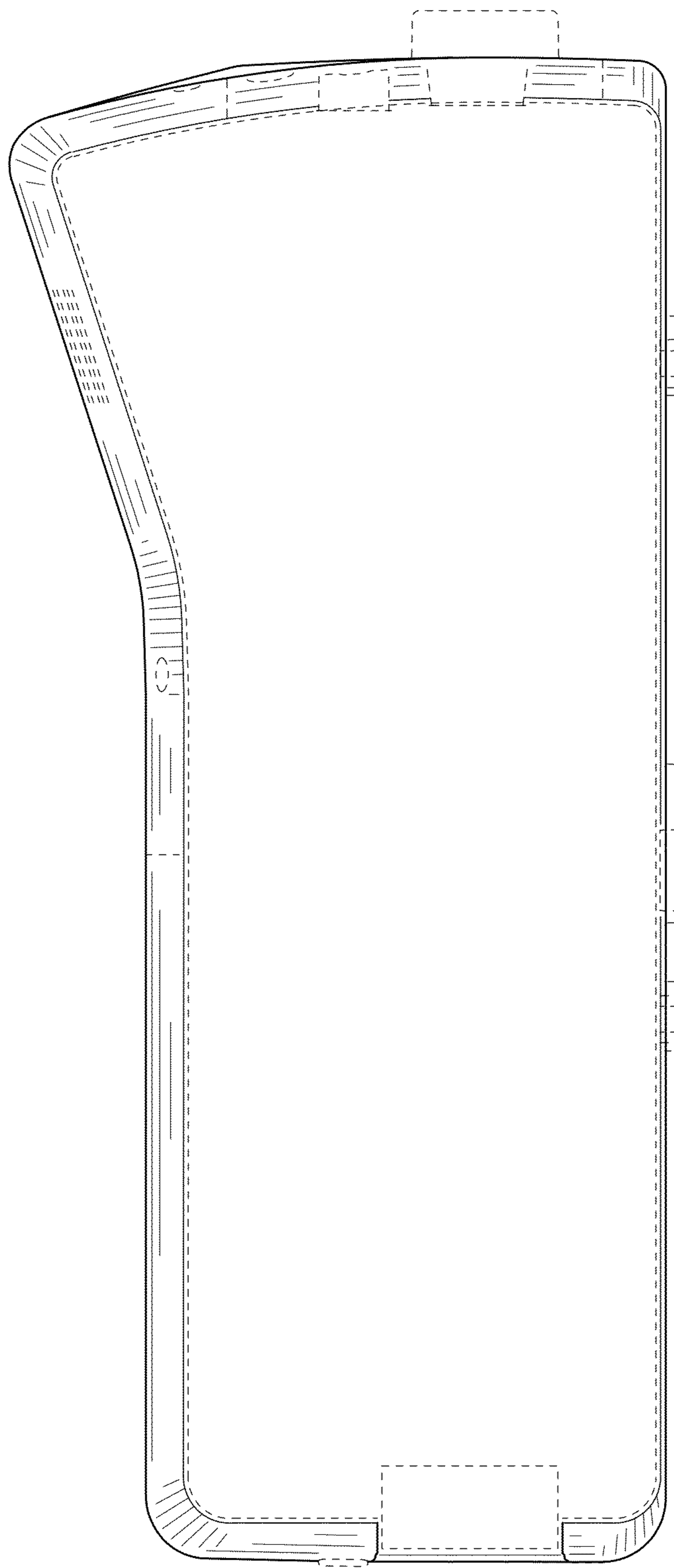


FIG. 7