



US00D728639S

(12) **United States Design Patent**  
**Payne et al.**

(10) **Patent No.:** **US D728,639 S**  
(45) **Date of Patent:** **\*\* May 5, 2015**

- (54) **EXCAVATOR COWLING**
- (71) Applicant: **J.C. Bamford Excavators Limited**,  
Uttoxeter (GB)
- (72) Inventors: **Samuel Payne**, Uttoxeter (GB); **Michael Turner**, Uttoxeter (GB); **Paul Colclough**, Uttoxeter (GB); **David Morris**, Uttoxeter (GB)
- (73) Assignee: **J.C. Bamford Excavators Limited**,  
Uttoxeter (GB)
- (\*\*) Term: **14 Years**
- (21) Appl. No.: **29/488,911**
- (22) Filed: **Apr. 24, 2014**
- (30) **Foreign Application Priority Data**

- Oct. 24, 2013 (EM) ..... 001388086
- (51) **LOC (10) Cl.** ..... **15-03**
- (52) **U.S. Cl.**  
USPC ..... **D15/31**
- (58) **Field of Classification Search**  
USPC ..... D15/10, 22-26, 28, 30, 31, 33;  
180/89.1, 89.12, 89.13, 900, 9.1, 9.2,  
180/9.62; 37/379; 414/694, 699, 722-724,  
414/660, 685, 698, 719, 743  
See application file for complete search history.

- (56) **References Cited**  
U.S. PATENT DOCUMENTS
- D433,689 S \* 11/2000 Kraft et al. .... D15/30
- D440,235 S \* 4/2001 Kuwae et al. .... D15/25
- D440,236 S \* 4/2001 Kraft et al. .... D15/28
- D450,717 S \* 11/2001 Muraro ..... D15/25
- D460,462 S \* 7/2002 Miyanishi et al. .... D15/25

- D460,974 S \* 7/2002 Murakami et al. .... D15/25
- D462,973 S \* 9/2002 Tamaru et al. .... D15/25
- D487,100 S \* 2/2004 Tokach et al. .... D15/30
- D487,575 S \* 3/2004 Wetzel et al. .... D15/33
- D506,211 S \* 6/2005 Kuwae et al. .... D15/33
- D509,514 S \* 9/2005 Shimokakiuchi et al. .... D15/24
- D510,366 S \* 10/2005 Kuwae et al. .... D15/28
- D528,568 S \* 9/2006 Kuwae et al. .... D15/28
- D534,552 S \* 1/2007 Yanagida ..... D15/25
- D576,182 S \* 9/2008 Murakami et al. .... D15/28
- D579,465 S \* 10/2008 Ochi et al. .... D15/28
- D582,947 S \* 12/2008 Ueta et al. .... D15/28
- D587,285 S \* 2/2009 Murakami et al. .... D15/28
- D633,926 S \* 3/2011 Shimada et al. .... D15/25
- D678,358 S \* 3/2013 Hiraoka et al. .... D15/28
- D678,359 S \* 3/2013 Hagura et al. .... D15/28
- D679,734 S \* 4/2013 Tsukamoto et al. .... D15/28
- D684,598 S \* 6/2013 Hagura et al. .... D15/24
- D684,600 S \* 6/2013 Saito et al. .... D15/24
- D684,605 S \* 6/2013 Hagura et al. .... D15/28
- D687,865 S \* 8/2013 Hatanaka et al. .... D15/24
- D688,713 S \* 8/2013 Seino et al. .... D15/33

\* cited by examiner

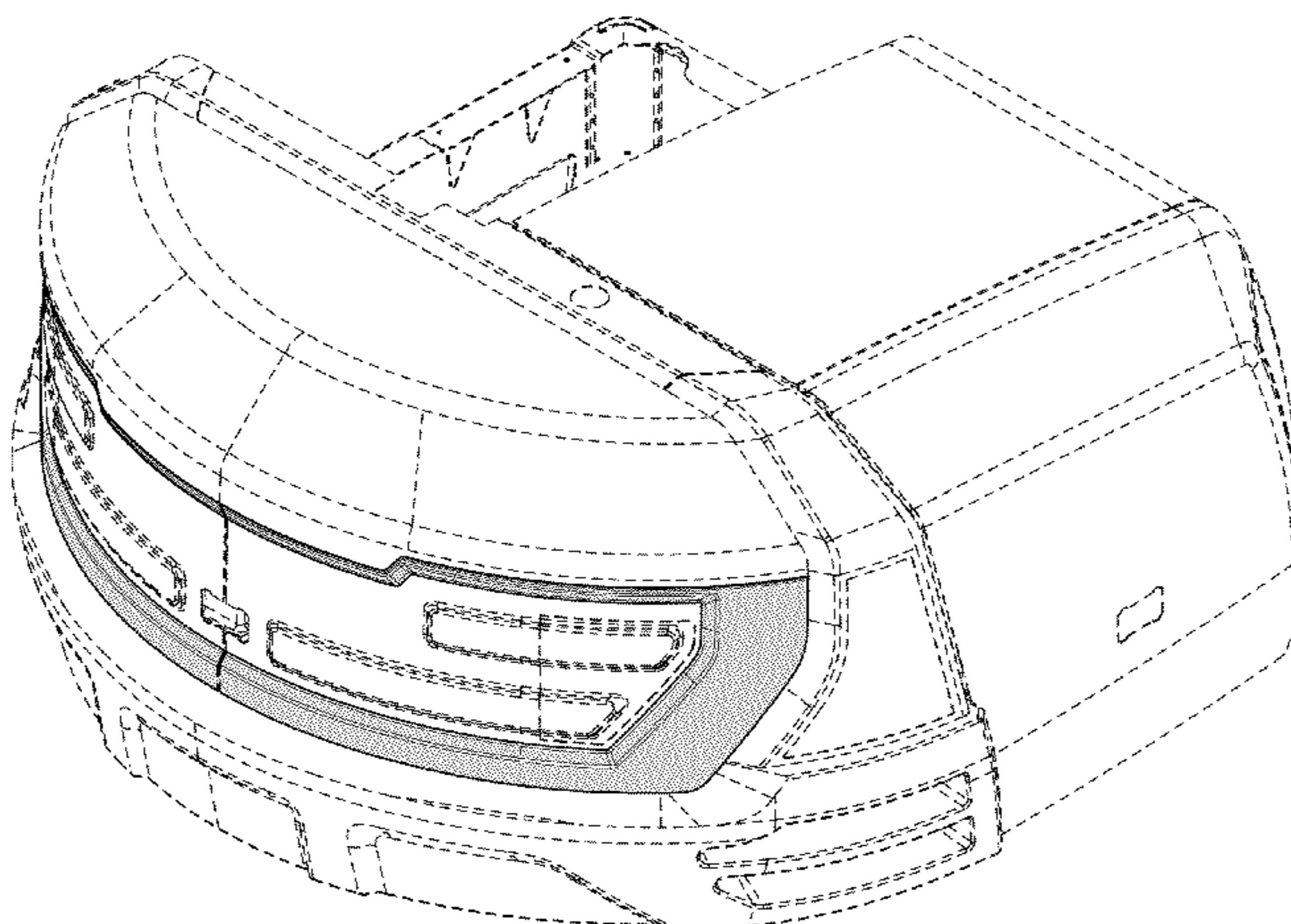
*Primary Examiner* — Mark Goodwin  
(74) *Attorney, Agent, or Firm* — Marshall Gerstein & Borun LLP

(57) **CLAIM**  
The ornamental design for an excavator cowling, as shown and described.

**DESCRIPTION**

FIG. 1 is a back elevation view of an excavator cowling showing the new design; and, FIG. 2 is a back, right-side, and top isometric view of the excavator cowling. The claimed portion of the excavator cowling is symmetrical about its vertical centerline. The broken lines show elements of the excavator cowling that form no part of the claimed design.

**1 Claim, 2 Drawing Sheets**





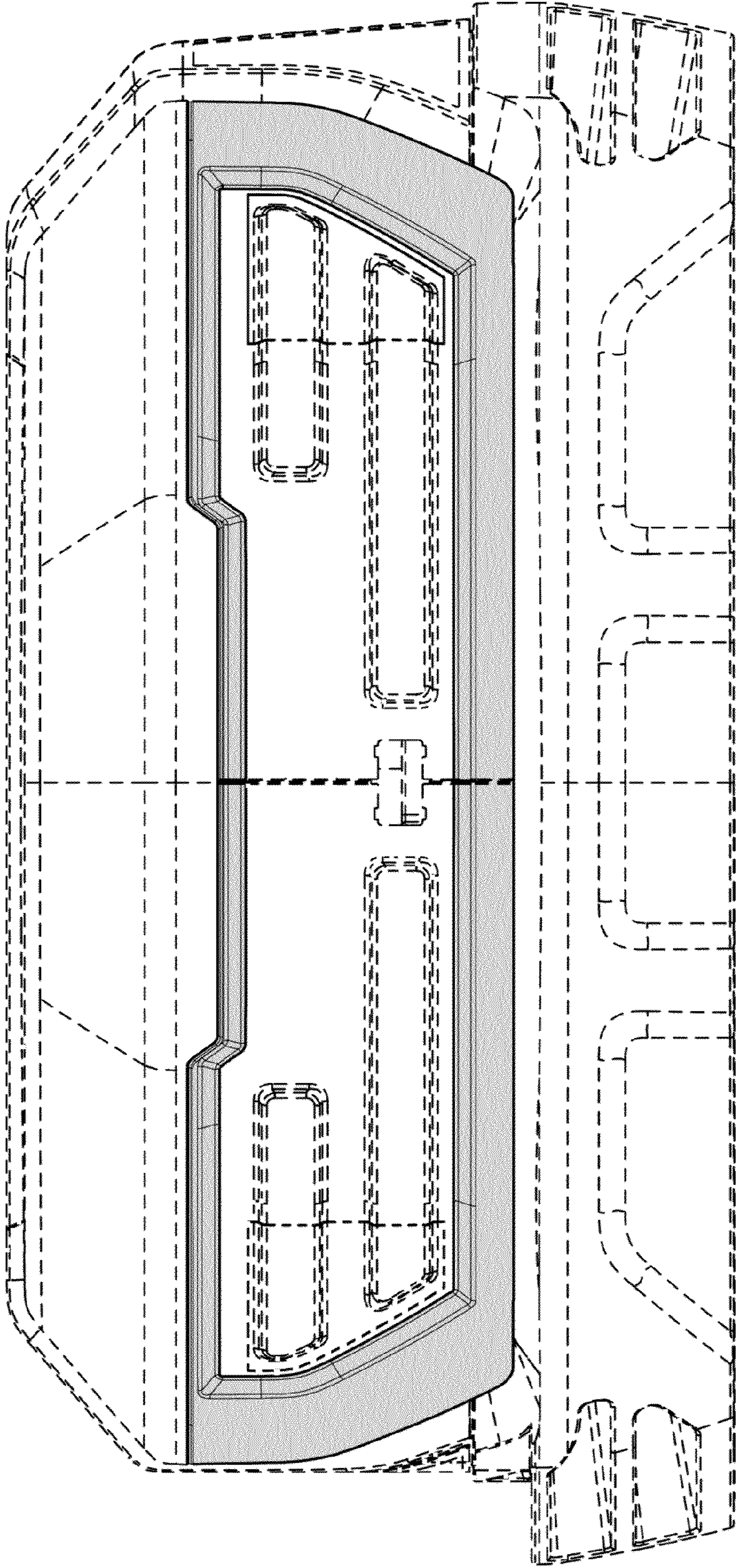


Fig. 1



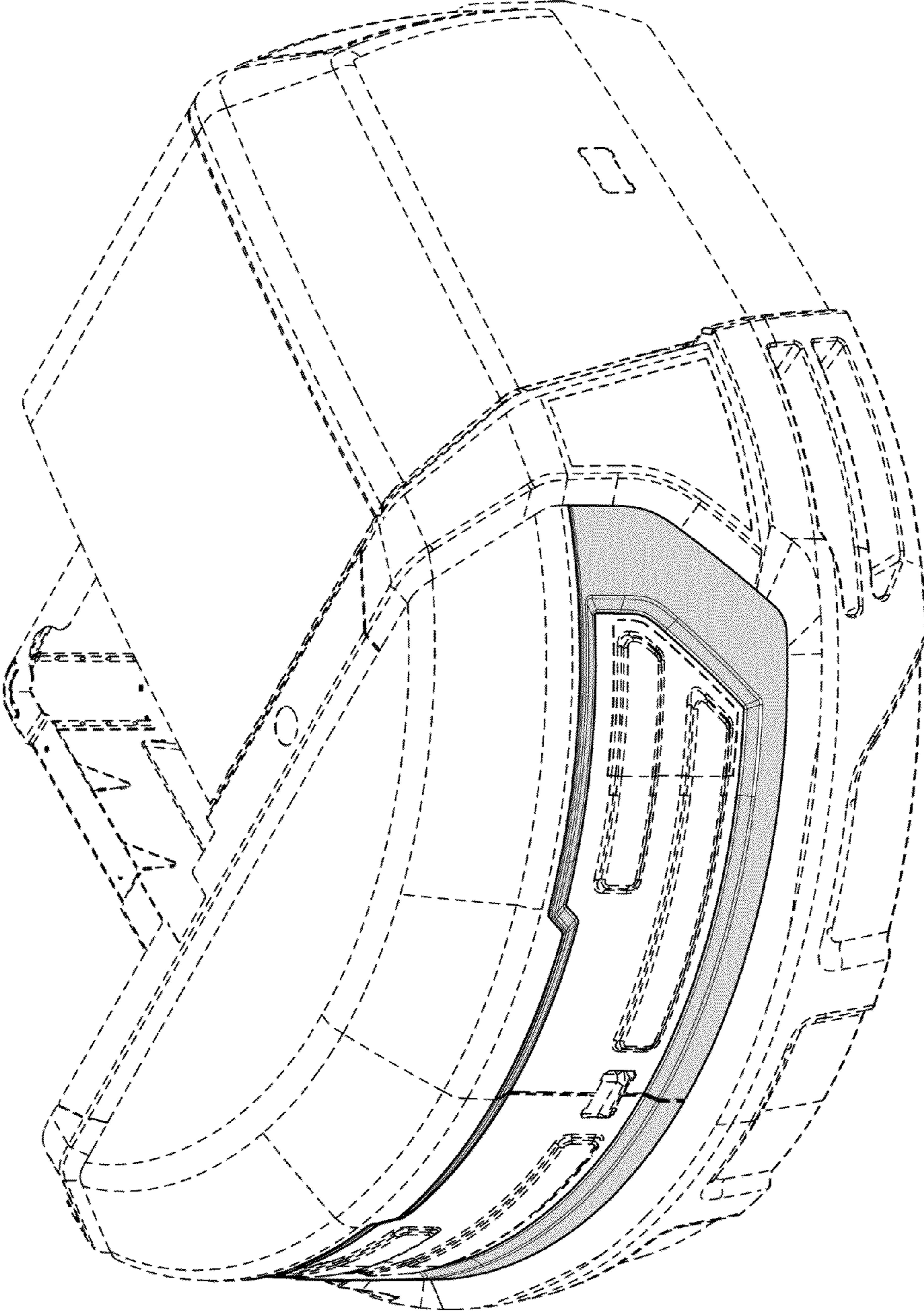


Fig. 2