



US00D728638S

(12) **United States Design Patent**
Payne et al.

(10) **Patent No.:** **US D728,638 S**
(45) **Date of Patent:** **** May 5, 2015**

- (54) **EXCAVATOR COWLING**
- (71) Applicant: **J.C. Bamford Excavators Limited**,
Uttoxeter (GB)
- (72) Inventors: **Samuel Payne**, Uttoxeter (GB); **Michael Turner**, Uttoxeter (GB); **Paul Colclough**, Uttoxeter (GB); **David Morris**, Uttoxeter (GB)
- (73) Assignee: **J.C. Bamford Excavators Limited**,
Uttoxeter (GB)
- (**) Term: **14 Years**
- (21) Appl. No.: **29/488,890**
- (22) Filed: **Apr. 24, 2014**

D462,973 S *	9/2002	Tamaru et al.	D15/25
D487,100 S *	2/2004	Tokach et al.	D15/30
D487,575 S *	3/2004	Wetzel et al.	D15/33
D506,211 S *	6/2005	Kuwae et al.	D15/33
D509,514 S *	9/2005	Shimokakiuchi et al.	D15/24
D510,366 S *	10/2005	Kuwae et al.	D15/28
D528,568 S *	9/2006	Kuwae et al.	D15/28
D534,552 S *	1/2007	Yanagida	D15/25
D576,182 S *	9/2008	Murakami et al.	D15/28
D579,465 S *	10/2008	Ochi et al.	D15/28
D582,947 S *	12/2008	Ueta et al.	D15/28
D587,285 S *	2/2009	Murakami et al.	D15/28
D633,926 S *	3/2011	Shimada et al.	D15/25
D678,358 S *	3/2013	Hiraoka et al.	D15/28
D678,359 S *	3/2013	Hagura et al.	D15/28
D679,734 S *	4/2013	Tsukamoto et al.	D15/28
D684,598 S *	6/2013	Hagura et al.	D15/24
D684,600 S *	6/2013	Saito et al.	D15/24
D684,605 S *	6/2013	Hagura et al.	D15/28
D687,865 S *	8/2013	Hatanaka et al.	D15/24
D688,713 S *	8/2013	Seino et al.	D15/33

- (30) **Foreign Application Priority Data**
- Oct. 24, 2013 (EM) 001388086
- (51) **LOC (10) Cl.** **15-03**
- (52) **U.S. Cl.**
USPC **D15/31**
- (58) **Field of Classification Search**
USPC D15/10, 22-26, 28, 30, 31, 33;
180/89.1, 89.12, 89.13, 900, 9.1, 9.2,
180/9.62; 37/379; 414/694, 699, 722-724,
414/660, 685, 698, 719, 743
See application file for complete search history.

* cited by examiner

Primary Examiner — Mark Goodwin
(74) *Attorney, Agent, or Firm* — Marshall, Gerstein & Borun LLP

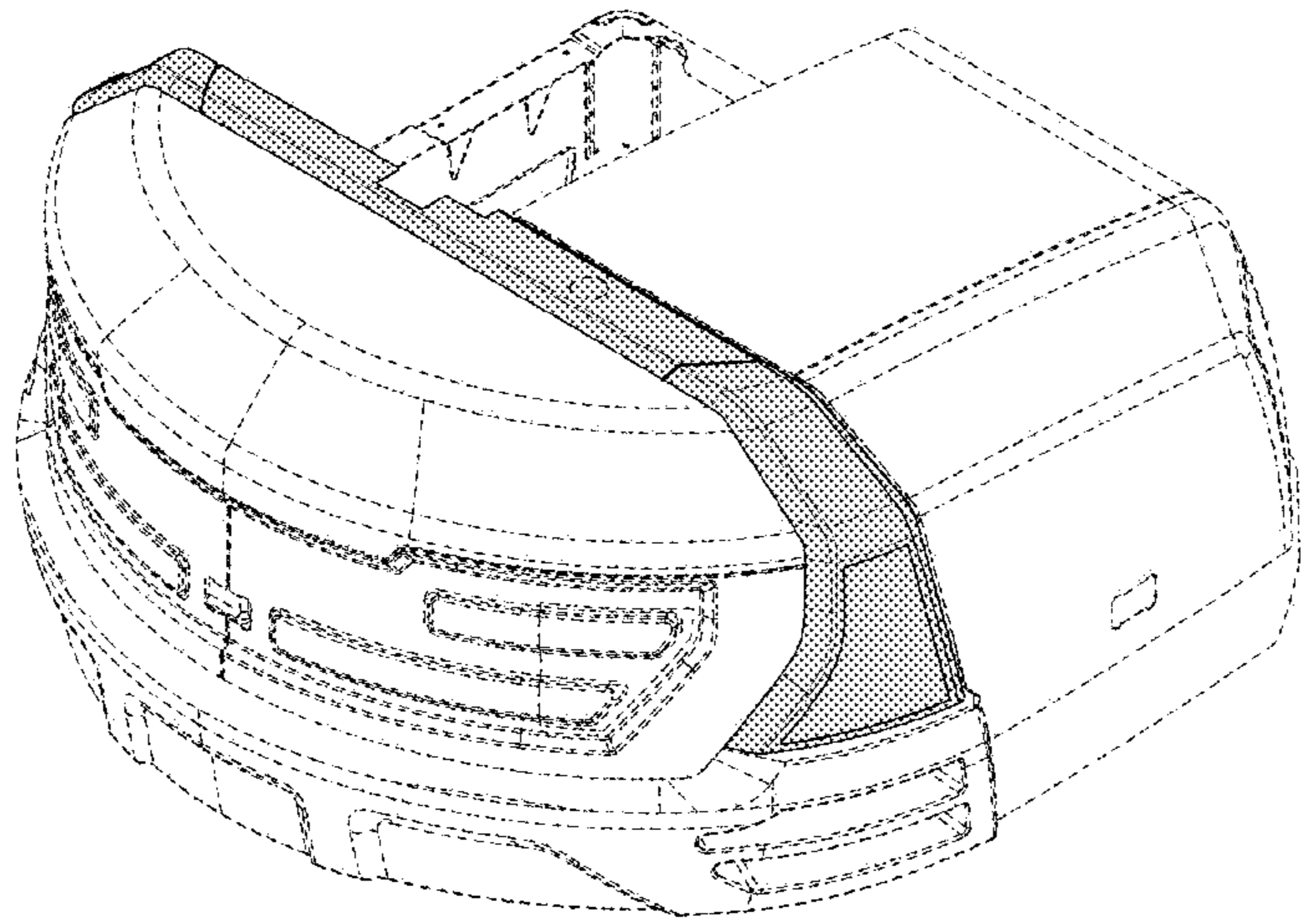
- (56) **References Cited**
- U.S. PATENT DOCUMENTS
- D433,689 S * 11/2000 Kraft et al. D15/30
- D440,235 S * 4/2001 Kuwae et al. D15/25
- D440,236 S * 4/2001 Kraft et al. D15/28
- D450,717 S * 11/2001 Muraro D15/25
- D460,462 S * 7/2002 Miyanishi et al. D15/25
- D460,974 S * 7/2002 Murakami et al. D15/25

(57) **CLAIM**
The ornamental design for an excavator cowling, as shown and described.

DESCRIPTION

FIG. 1 is a back, right-side, and top isometric view of an excavator cowling showing the new design.
FIG. 2 is a right-side elevation view of the excavator cowling; and,
FIG. 3 is a back, right-side, and top isometric view.
The left side forms no part of the claimed design.
The broken lines show elements of the excavator cowling that form no part of the claimed design.

1 Claim, 3 Drawing Sheets



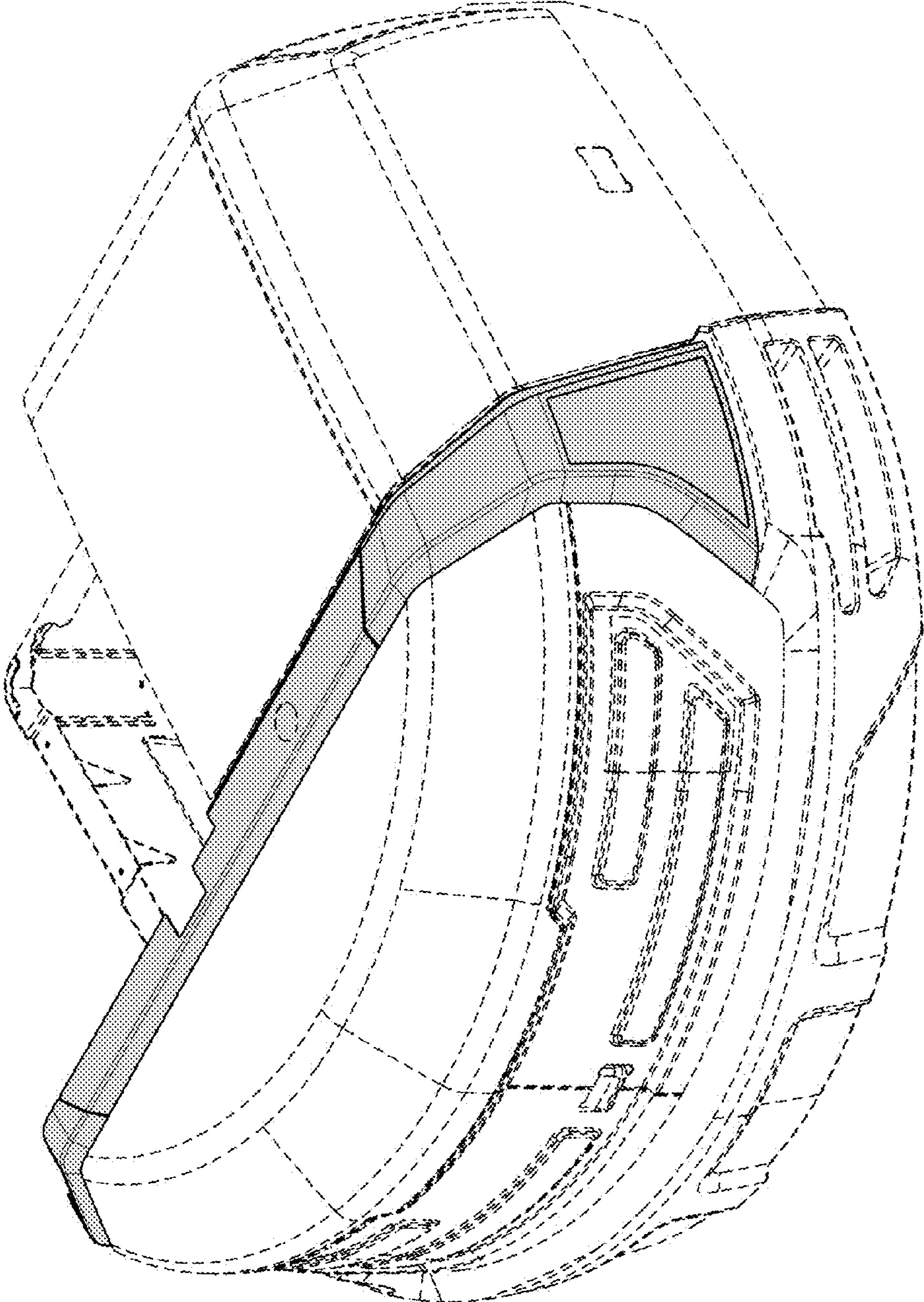


Fig. 1

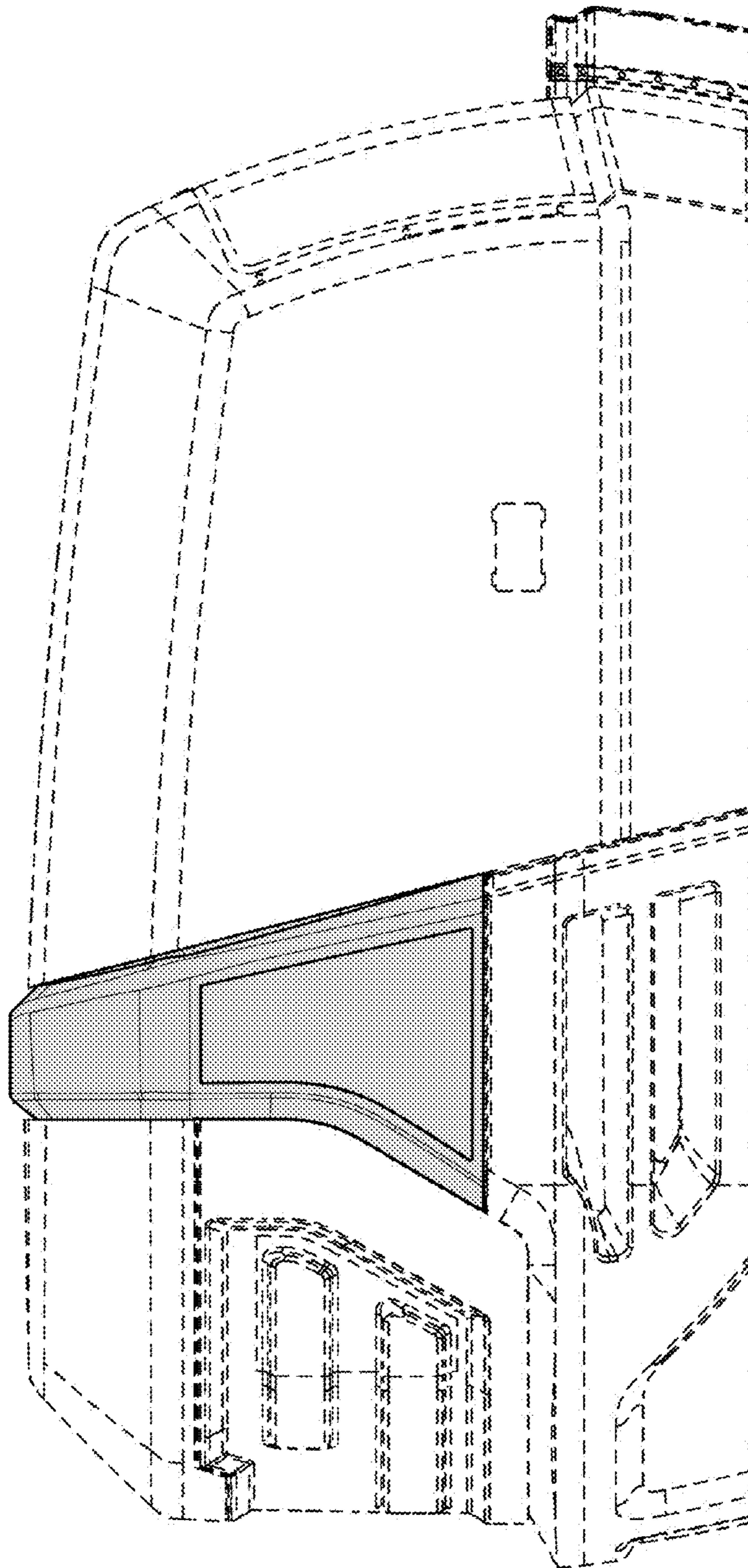


Fig. 2

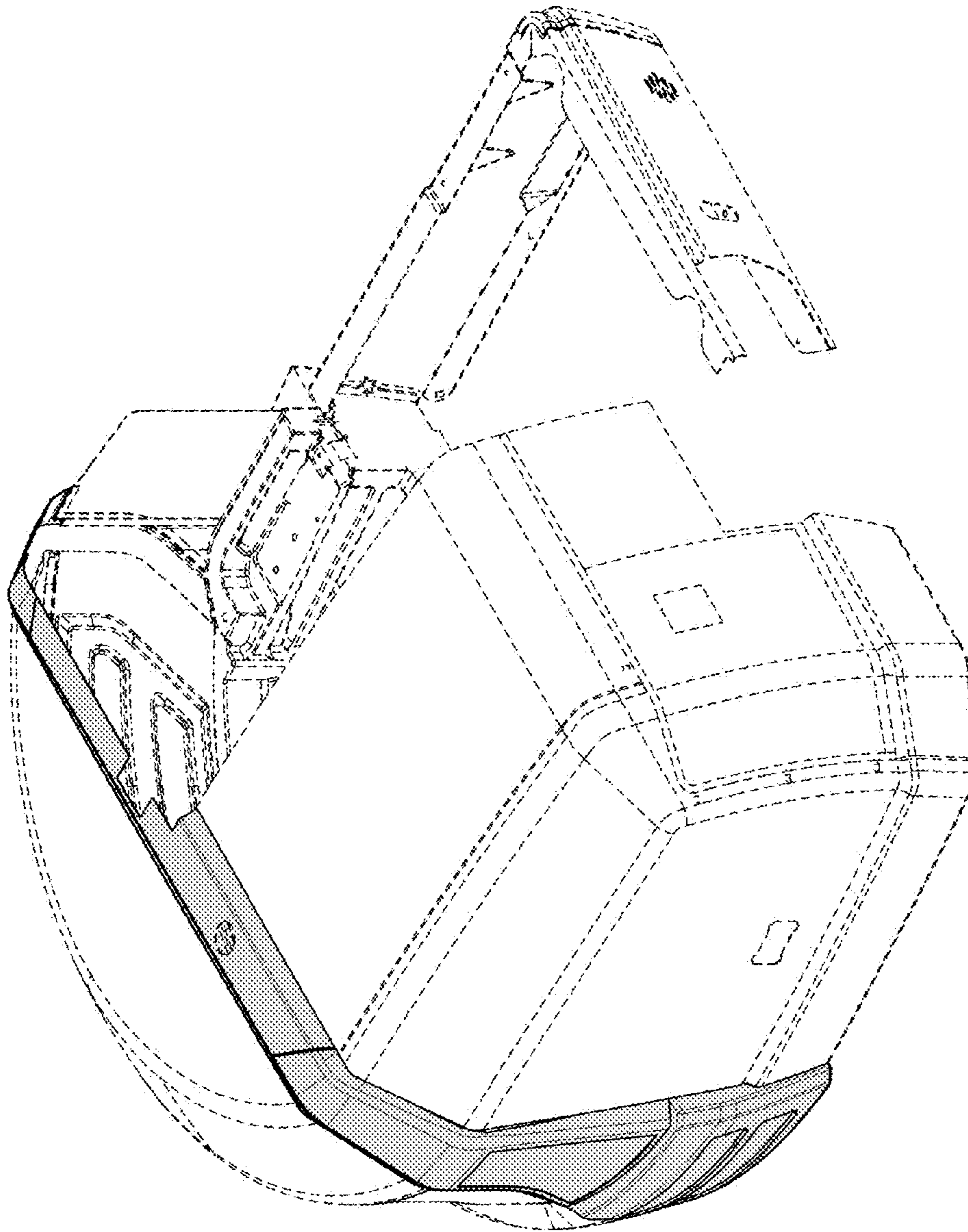


Fig. 3