



US00D728635S

(12) **United States Design Patent**  
**Kunz**

(10) **Patent No.:** **US D728,635 S**

(45) **Date of Patent:** **\*\* May 5, 2015**

(54) **COUPLER FOR A GROUND ENGAGING MACHINE IMPLEMENT**

4,231,173 A	11/1980	Davis
4,516,340 A	5/1985	Lauder
4,761,900 A	8/1988	Emrich
4,776,113 A	10/1988	Bedford et al.
4,848,013 A	7/1989	Bowman et al.

(71) Applicant: **Caterpillar Inc.**, Peoria, IL (US)

(Continued)

(72) Inventor: **Phillip J. Kunz**, Morton, IL (US)

(73) Assignee: **Caterpillar Inc.**, Peoria, IL (US)

FOREIGN PATENT DOCUMENTS

(\*\*) Term: **14 Years**

CL	2068-1995	10/1996
CL	391-1998	11/1998

(21) Appl. No.: **29/462,274**

(Continued)

(22) Filed: **Aug. 1, 2013**

OTHER PUBLICATIONS

(51) **LOC (10) Cl.** ..... **15-03**

Caterpillar, Inc., Cat® K Series™ Tooth Systems, brochure (4 pages), 2006.

(52) **U.S. Cl.**

USPC ..... **D15/29**; D15/28

(Continued)

(58) **Field of Classification Search**

USPC ..... D15/11, 28, 29; 37/456, 452, 450, 446, 37/454, 449, 453, 455, 903; 403/379.5, 403/DIG. 1; 111/152; 172/724, 730, 766, 172/770, 771, 721, 713, 699, 772

*Primary Examiner* — Mark Goodwin

(74) *Attorney, Agent, or Firm* — Saidman DesignLaw Group, LLC

See application file for complete search history.

(57) **CLAIM**

The ornamental design for a coupler for a ground engaging machine implement, as shown and described.

(56) **References Cited**

U.S. PATENT DOCUMENTS

1,220,186 A	3/1917	Chambers
1,384,701 A	7/1921	McMonegal
1,571,782 A	2/1926	Andrews
1,856,930 A	5/1932	Robin
2,427,651 A	9/1947	Baer
D182,143 S	2/1958	Petersen
2,982,035 A	5/1961	Stephenson
3,019,537 A	2/1962	Stephenson
3,312,004 A	4/1967	Johnson
3,623,247 A	11/1971	Steppe
3,774,324 A	11/1973	Lafond
3,823,496 A	7/1974	Querci et al.
3,832,077 A	8/1974	Von Mehren
3,967,399 A	7/1976	Heinold et al.
4,052,802 A	10/1977	Moen et al.
4,086,966 A	5/1978	Lanz et al.
4,128,132 A	12/1978	Moen et al.
4,182,057 A	1/1980	Klett et al.

**DESCRIPTION**

FIG. 1 is an upper, right-side perspective view of a coupler for a ground engaging machine implement showing my new design;

FIG. 2 is a front view thereof;

FIG. 3 is a rear view thereof;

FIG. 4 is a right side view thereof, the left side view being a mirror image thereof;

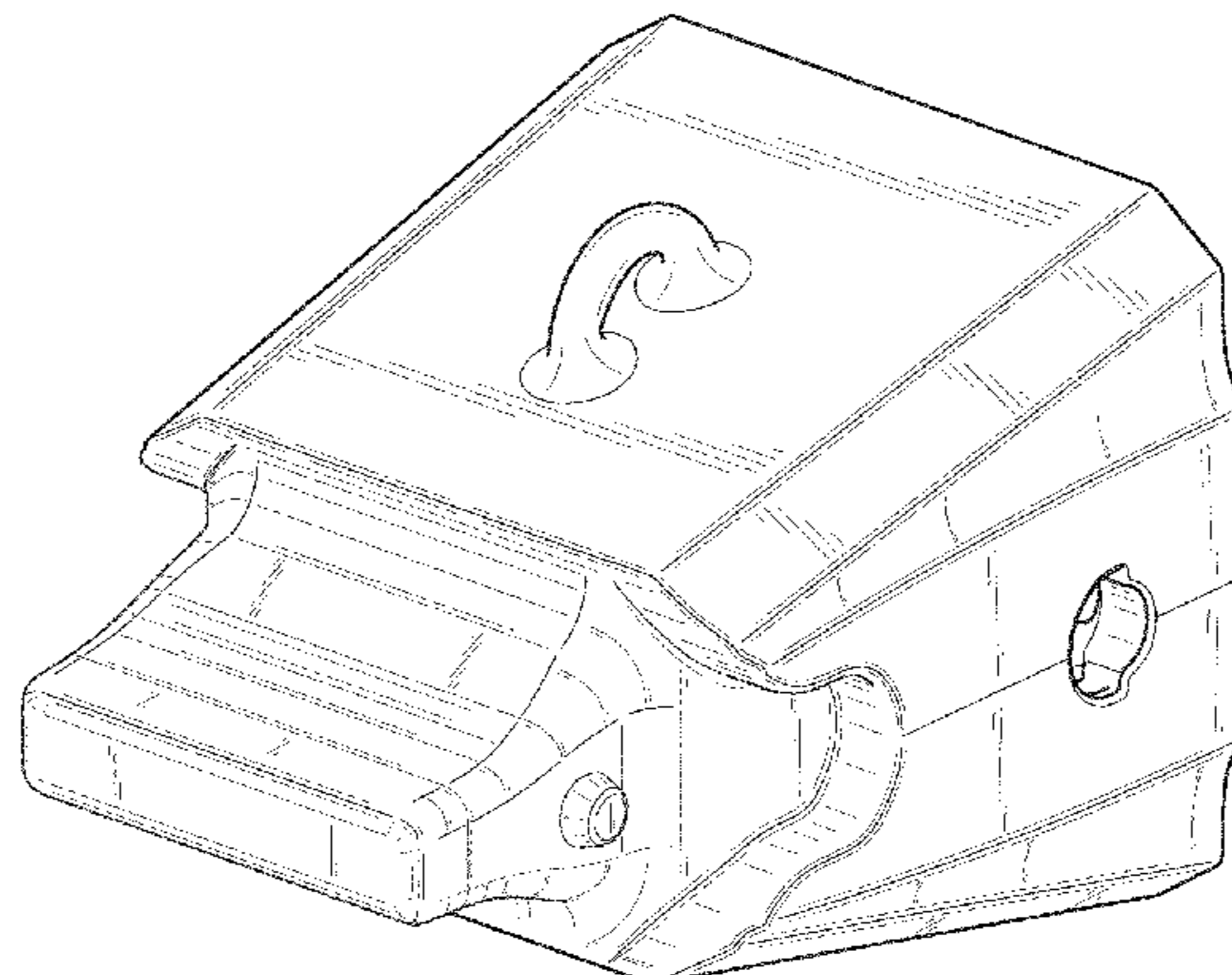
FIG. 5 is a top view thereof;

FIG. 6 is a bottom view thereof; and,

FIG. 7 is a bottom, right side perspective view thereof.

The relatively light and dark shade lines indicate contour and not surface decoration.

**1 Claim, 5 Drawing Sheets**



(56)

References Cited

U.S. PATENT DOCUMENTS

4,918,843	A	4/1990	Kiesewetter et al.	
4,965,945	A	10/1990	Emrich	
5,205,057	A	4/1993	Garman	
D336,476	S	6/1993	Garman	
D339,592	S	9/1993	Johansson	
5,272,824	A *	12/1993	Cornelius .....	37/458
5,386,653	A	2/1995	Cornelius	
5,423,138	A	6/1995	Livesay et al.	
D365,577	S	12/1995	Ruvang	
5,561,925	A	10/1996	Livesay	
5,634,285	A	6/1997	Renski	
5,709,043	A	1/1998	Jones et al.	
5,743,033	A	4/1998	Gegel	
5,806,216	A	9/1998	Renski	
5,896,911	A	4/1999	Gegel	
D413,338	S	8/1999	Pueyo Molina	
D414,193	S	9/1999	Launder et al.	
5,983,534	A	11/1999	Robinson et al.	
5,992,063	A	11/1999	Mack	
6,085,448	A	7/2000	Gale et al.	
6,092,958	A	7/2000	Gale	
6,145,224	A	11/2000	Stickling	
6,321,471	B2	11/2001	Fernandez Muñoz et al.	
D454,891	S	3/2002	Ketting et al.	
D458,614	S	6/2002	Esterhuyse et al.	
D460,464	S	7/2002	Ketting et al.	
D461,832	S	8/2002	Ketting et al.	
6,457,269	B1	10/2002	Esterhuyse et al.	
6,477,796	B1	11/2002	Cornelius	
6,766,602	B2	7/2004	Cox et al.	
6,865,828	B1	3/2005	Molino et al.	
6,871,426	B2 *	3/2005	Keech et al. ....	37/456
7,100,315	B2	9/2006	Carpenter et al.	
7,219,454	B2 *	5/2007	Maher .....	37/456
D552,632	S	10/2007	De Martiis	
D560,232	S	1/2008	De Martiis	
7,762,015	B2	7/2010	Smith et al.	
D624,943	S	10/2010	Gibbon	
8,117,772	B2	2/2012	Harder et al.	
8,122,622	B2	2/2012	Smith et al.	
8,127,475	B2	3/2012	Harder et al.	
8,170,756	B2	5/2012	Morey et al.	
8,229,631	B2	7/2012	Morey et al.	
8,393,097	B2	3/2013	Harder et al.	
2002/0195259	A1	12/2002	Satzler	
2004/0010949	A1	1/2004	Laguarda et al.	
2007/0204490	A1 *	9/2007	Jones et al. ....	37/452
2008/0148608	A1	6/2008	Harder et al.	
2008/0201997	A1 *	8/2008	Armstrong .....	37/457
2009/0282711	A1 *	11/2009	Naher et al. ....	37/455
2011/0035970	A1	2/2011	Smith et al.	
2011/0035971	A1	2/2011	Smith et al.	
2011/0035972	A1	2/2011	Harder et al.	
2012/0186113	A1	7/2012	Harder et al.	
2012/0210612	A1	8/2012	Harder et al.	
2012/0297649	A1	11/2012	Gomar	

FOREIGN PATENT DOCUMENTS

CL	1193-1999	9/1999
CL	223-1999	11/1999
CL	1457-1999	11/1999

CL	1583-1999	6/2000
CL	2671-2005	7/2006
CL	3115-2005	9/2006
CL	3116-2005	9/2006
CL	173-2008	8/2008
CL	174-2008	8/2008
CL	2524-2008	1/2009
CL	1764-2008	7/2009
CL	618-2010	11/2010
CL	739-2010	12/2010
CL	291-2012	11/2012
EM	000089099-0001-0003	10/2003
EM	000877477-0001-0009	1/2008
EM	000895396-0001-0015	3/2008
GB	1049195	3/1988
GB	1050103	4/1988
GB	2010025	4/1990
GB	2010026	4/1990
GB	2057051	12/1995
GB	2057052	12/1995
GB	2057053	12/1995
GB	2060104	4/1996
GB	2060105	4/1996
GB	2057055	5/1996
GB	2091441	10/1999
GB	2091502	10/1999
GB	2095654	3/2000
GB	2097590	3/2000
GB	2097591	4/2000
GB	2097592	4/2000
GB	2097593	5/2000
GB	2104929	3/2001
GB	2106421	4/2001

OTHER PUBLICATIONS

Hensley Industries, Inc., Extreme Service™, Specification Guide, Mining Teeth and Adapters, (XS85-XS342 Series, TS922-TS1222 Series, XSC12 and XSC127, Mar. 2011, (31 pages).

ESCO® Corp., Nemisys®, Mining Lip System, © 2013 (5 pages).

ESCO® Corp., ESCO Posilok® Plus Mining Tooth System, © 2009 (4 pages).

Utility U.S. Appl. No. 13/956,538, filed Aug. 1, 2013.

Design U.S. Appl. No. 29/403,594 of William J. Renski et al., entitled "Adapter for a Ground Engaging Machine Implement" filed Oct. 7, 2011, and Preliminary Amendment filed Jan. 17, 2013.

Design U.S. Appl. No. 29/403,592 of William J. Renski et al., entitled "Tip for a Ground Engaging Machine Implement" filed Oct. 7, 2011, and Preliminary Amendment filed Jan. 25, 2013.

Design U.S. Appl. No. 29/403,595 of William J. Renski et al., entitled "Tip for a Ground Engaging Machine Implement" filed Oct. 7, 2011, and Preliminary Amendment filed Jan. 15, 2013.

Design U.S. Appl. No. 29/403,598 of William J. Renski et al., entitled "Tip for a Ground Engaging Machine Implement" filed Oct. 7, 2011, and Preliminary Amendment filed Jan. 17, 2013.

Design U.S. Appl. No. 29/403,600 of William J. Renski et al., entitled "Tip for a Ground Engaging Machine Implement" filed Oct. 7, 2011, and Preliminary Amendment filed Jan. 17, 2013.

Design U.S. Appl. No. 29/462,281 of Phillip J. Kunz entitled "Coupler and Tip for a Ground Engaging Machine Implement" filed Aug. 1, 2013.

Design U.S. Appl. No. 29/462,285 of Phillip J. Kunz entitled "Tip for a Ground Engaging Machine Implement" filed Aug. 1, 2013.

\* cited by examiner

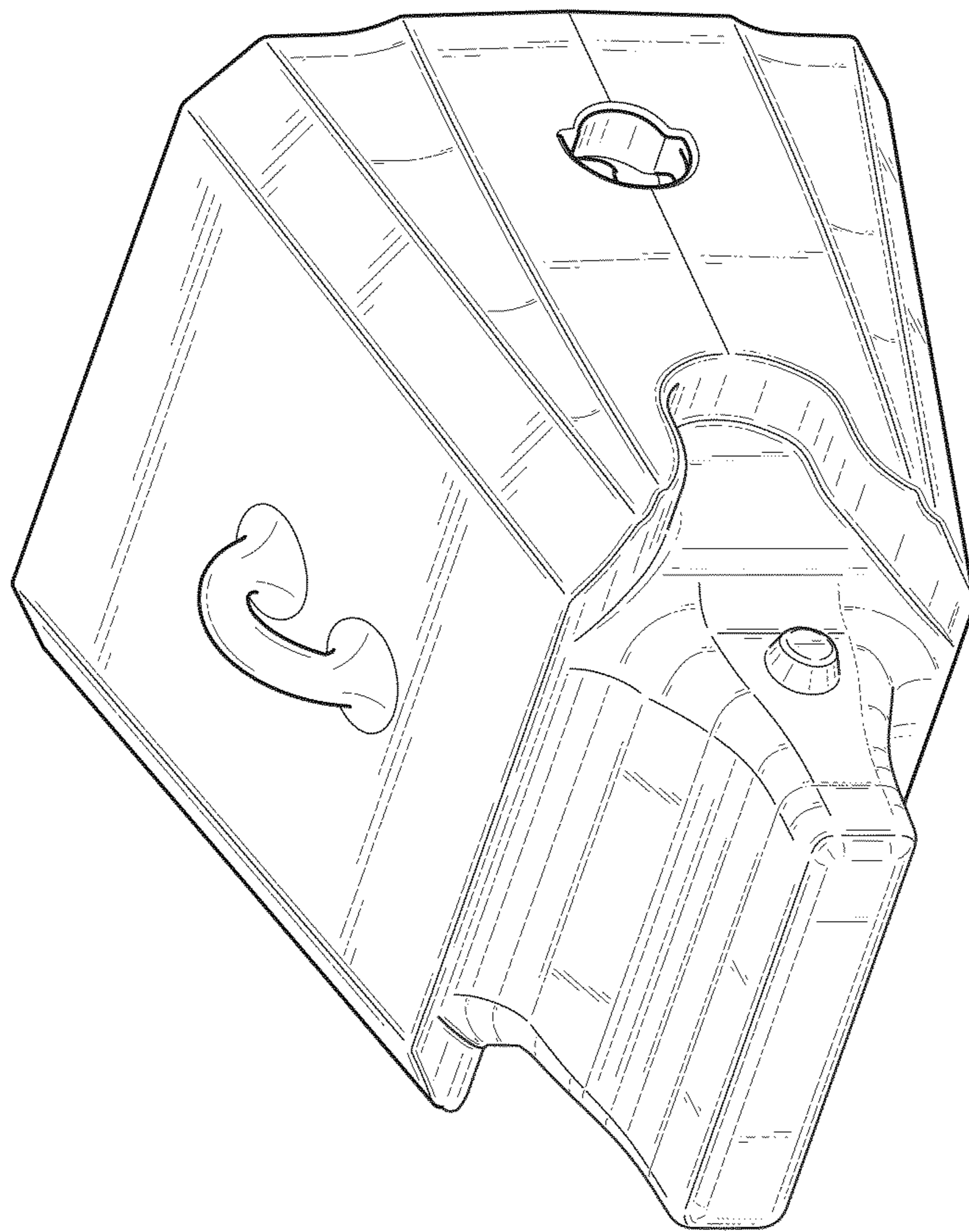


Fig. 1

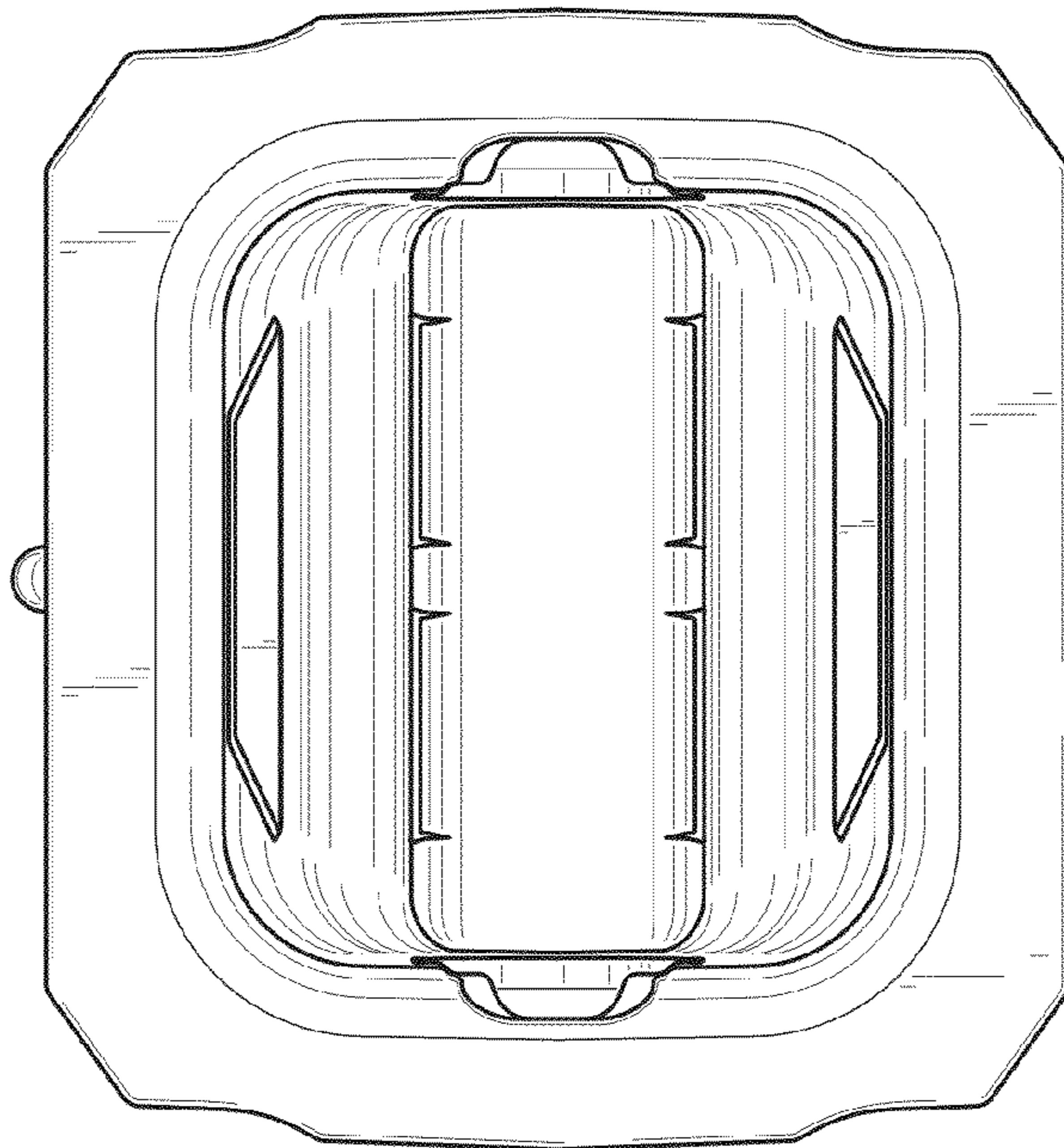


Fig. 3

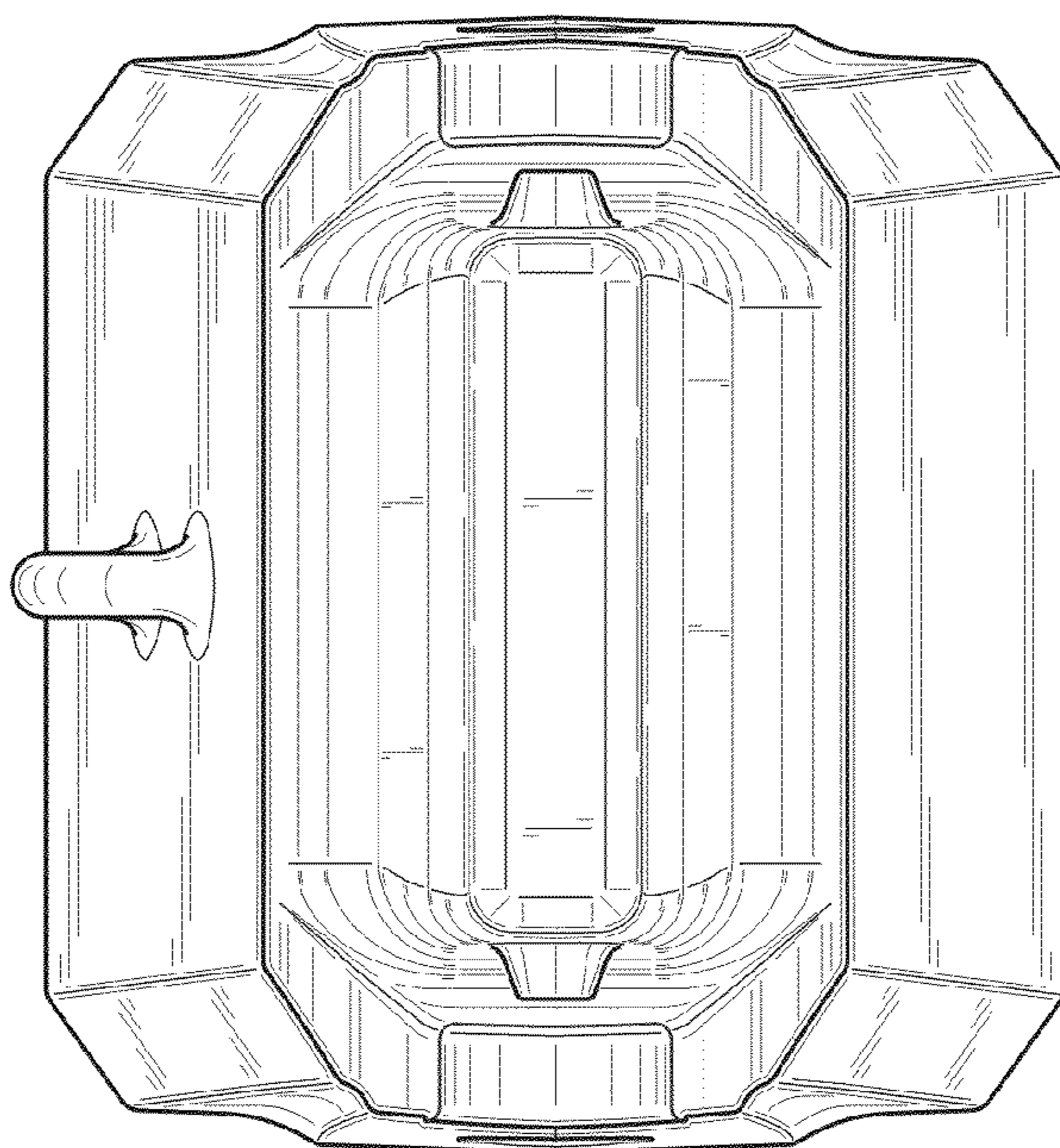


Fig. 2

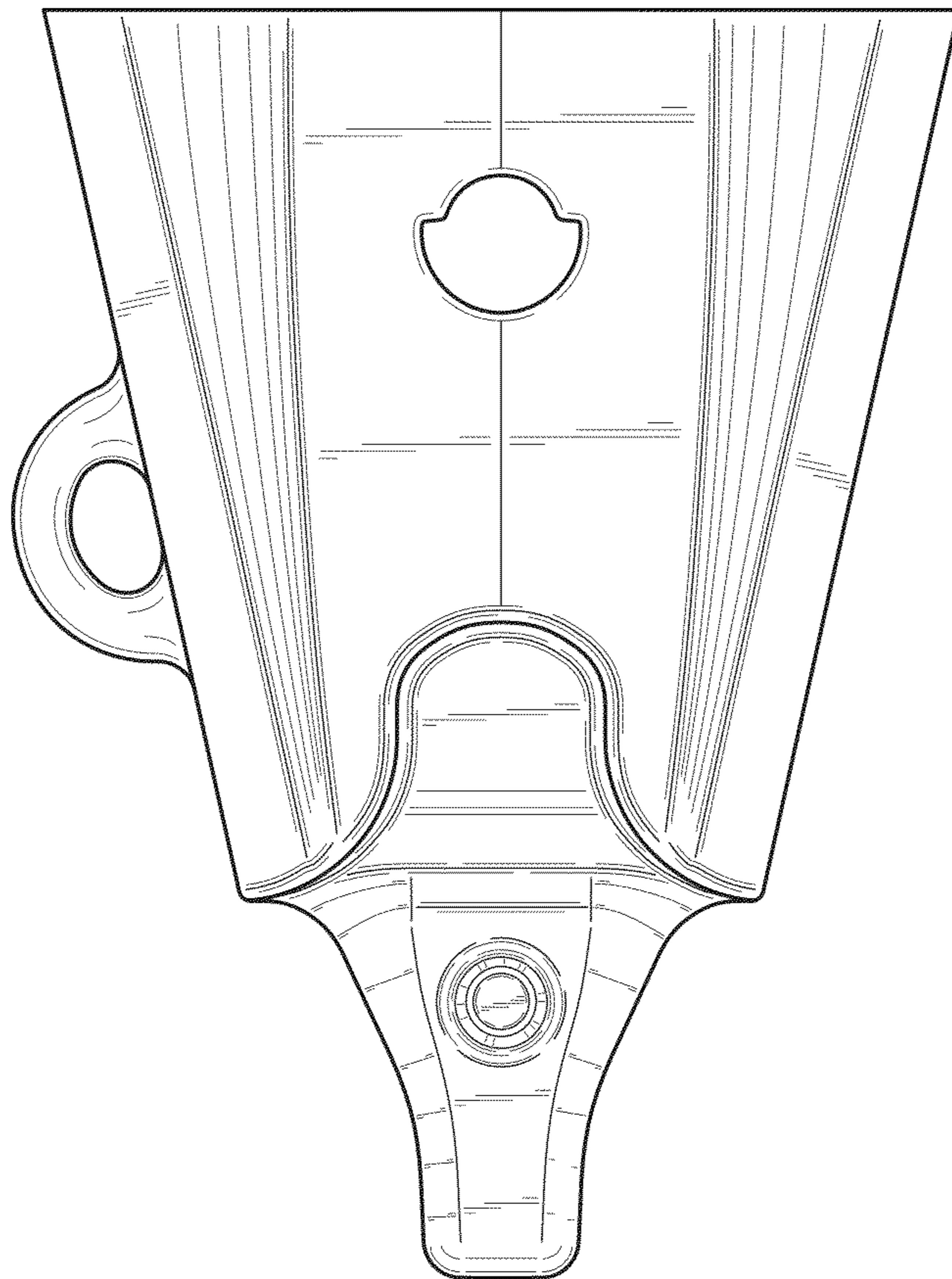


Fig. 4

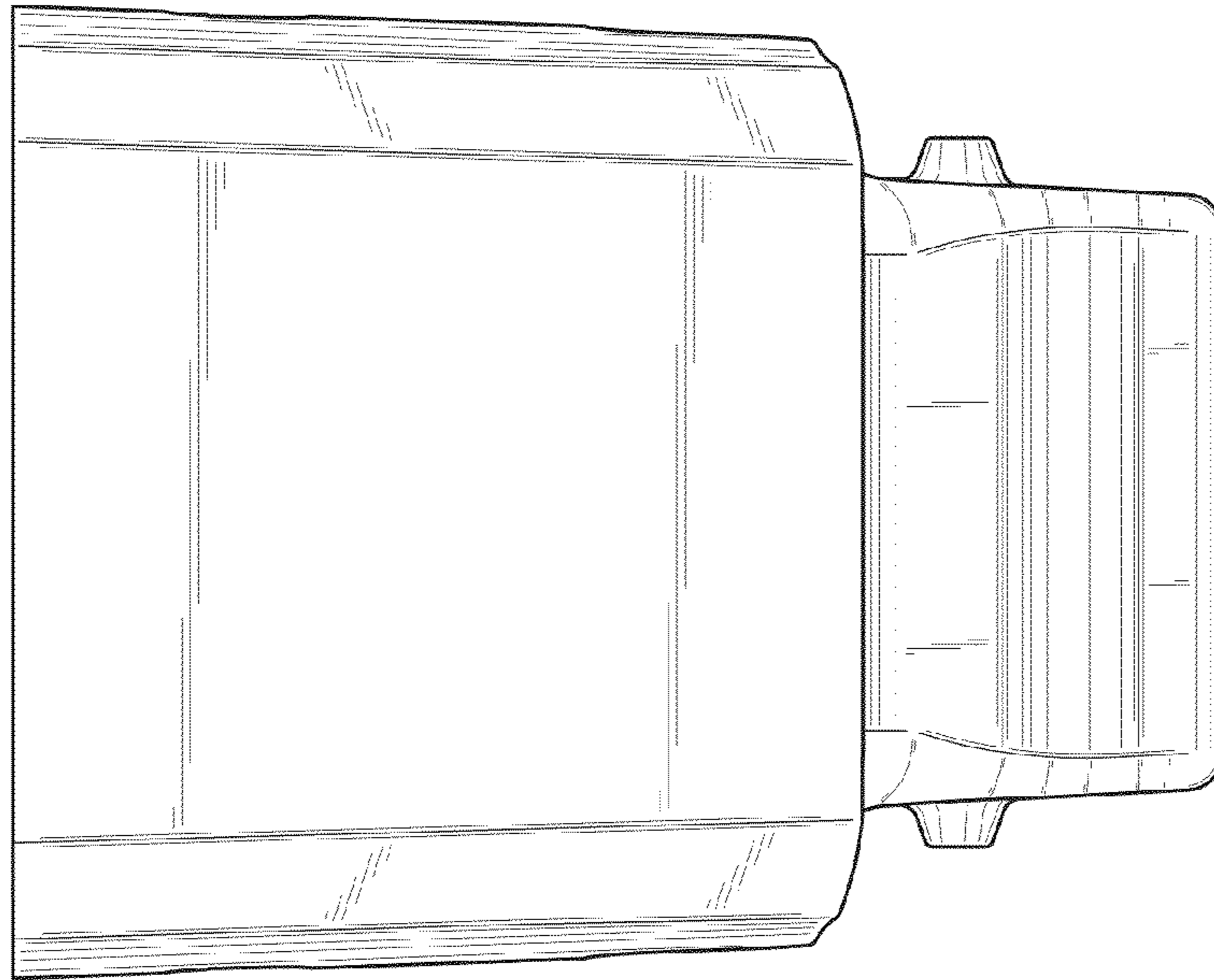


Fig. 6

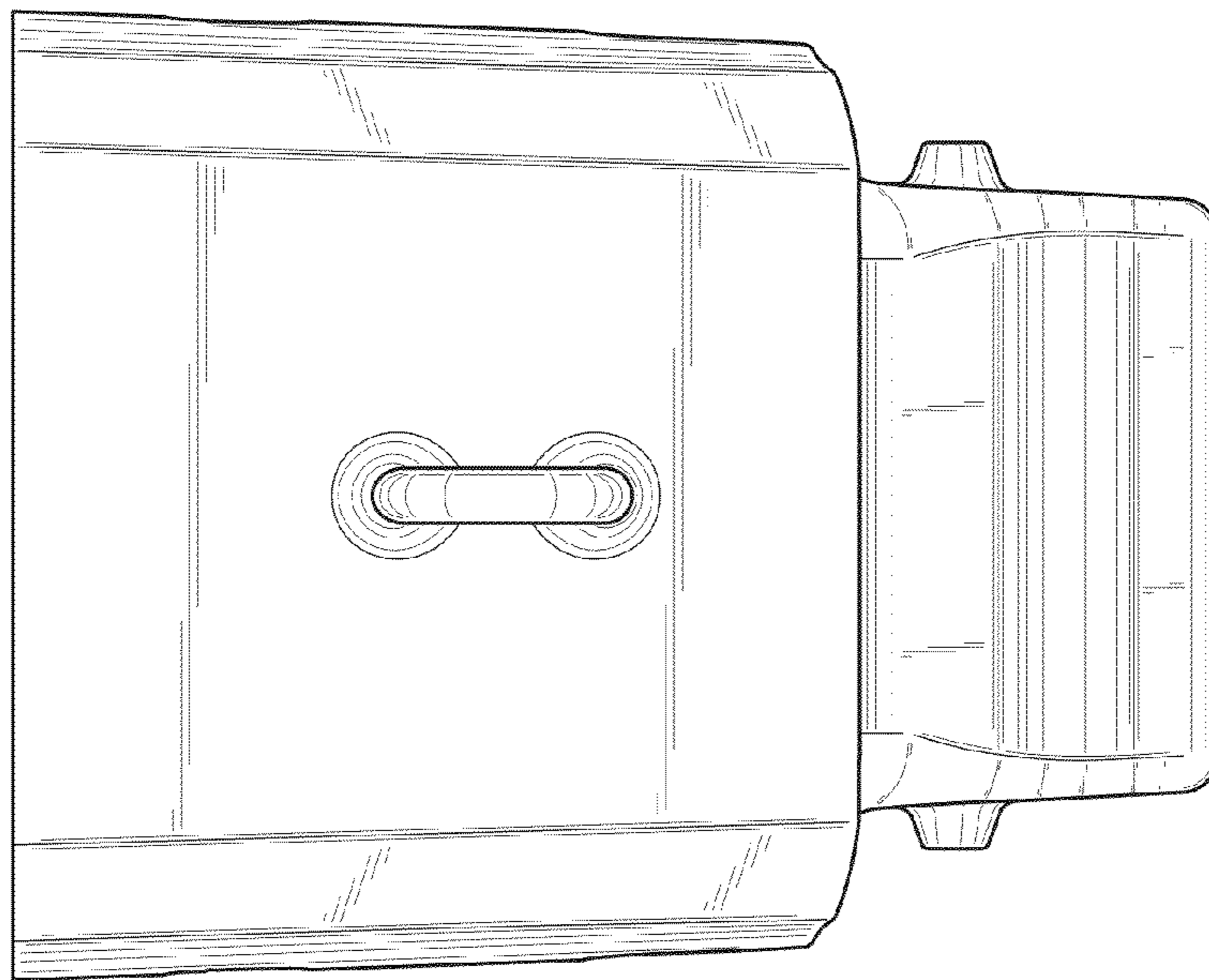


Fig. 5

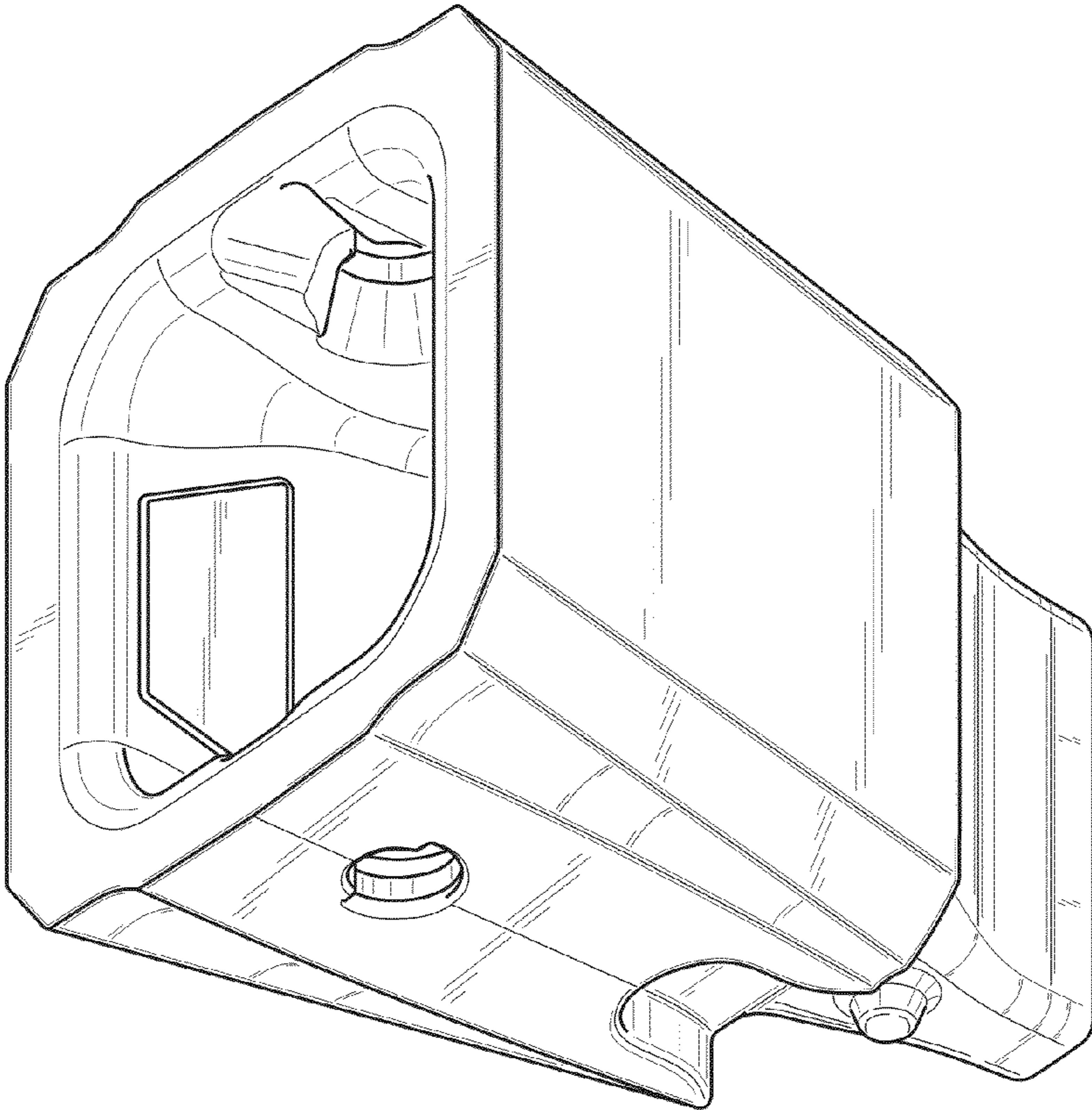


Fig. 7