



US00D728633S

(12) **United States Design Patent**  
**Klassen et al.**

(10) **Patent No.:** **US D728,633 S**  
(45) **Date of Patent:** **\*\* May 5, 2015**

(54) **FUEL TANK AND RELATED ASSEMBLY**

D484,893 S \* 1/2004 Hsiao ..... D15/9  
D488,757 S \* 4/2004 Gough ..... D12/196  
D537,450 S \* 2/2007 Fretwell ..... D15/4

(71) Applicant: **CNH America LLC**, New Holland, PA (US)

(Continued)

(72) Inventors: **Mark Klassen**, Lockport, IL (US);  
**Larry Wilson**, Racine, WI (US);  
**Thomas Chlystek**, Darien, IL (US);  
**Phetsamone Siriphong**, South Elgin, IL (US);  
**Michael Bunnell**, Clarendon Hills, IL (US);  
**Carl Fletcher**, Naperville, IL (US);  
**John Schrepferman**, South Elgin, IL (US);  
**Neil Zimmerman**, Kenosha, WI (US)

*Primary Examiner* — Mark Goodwin

(74) *Attorney, Agent, or Firm* — Sue C. Watson

(57)

**CLAIM**

The ornamental design for a fuel tank and related assembly, as shown and described.

**DESCRIPTION**

(73) Assignee: **CNH Industrial America LLC**, New Holland, PA (US)

FIG. 1 is a perspective view of the fuel tank according to one aspect of the present invention.

FIG. 2 is a front view of the fuel tank illustrated in FIG. 1.

FIG. 3 is a rear view of the fuel tank illustrated in FIG. 1.

FIG. 4 is a side view of the fuel tank illustrated in FIG. 1.

FIG. 5 is another side view of the fuel tank illustrated in FIG. 1.

(\*\*) Term: **14 Years**

FIG. 6 is a top view of the fuel tank illustrated in FIG. 1.

FIG. 7 is a bottom view of the fuel tank illustrated in FIG. 1.

(21) Appl. No.: **29/460,638**

FIG. 8 is a perspective view of a fuel tank assembly according to another aspect of the present invention, the fuel tank assembly including the fuel tank illustrated in FIGS. 1-8.

(22) Filed: **Jul. 12, 2013**

FIG. 9 is a front view of the fuel tank assembly illustrated in FIG. 8.

(51) **LOC (10) Cl.** ..... **15-03**

FIG. 10 is a rear view of the fuel tank assembly illustrated in FIG. 8.

(52) **U.S. Cl.**

USPC ..... **D15/28**; D12/218

FIG. 11 is a side view of the fuel tank assembly illustrated in FIG. 8.

(58) **Field of Classification Search**

USPC ..... D15/1, 3, 5, 17, 28; D12/218; D23/202;

220/564, 524, 555, 567.2; 280/830,

280/833-835; 180/314, 69.4, 69.5, 900,

180/225; 123/518-520

FIG. 12 is another side view of the fuel tank assembly illustrated in FIG. 8.

See application file for complete search history.

FIG. 13 is a top view of the fuel tank assembly illustrated in FIG. 8; and,

(56) **References Cited**

**U.S. PATENT DOCUMENTS**

4,480,845 A \* 11/1984 Hansen ..... 280/834

D433,425 S \* 11/2000 Surridge et al. .... D15/17

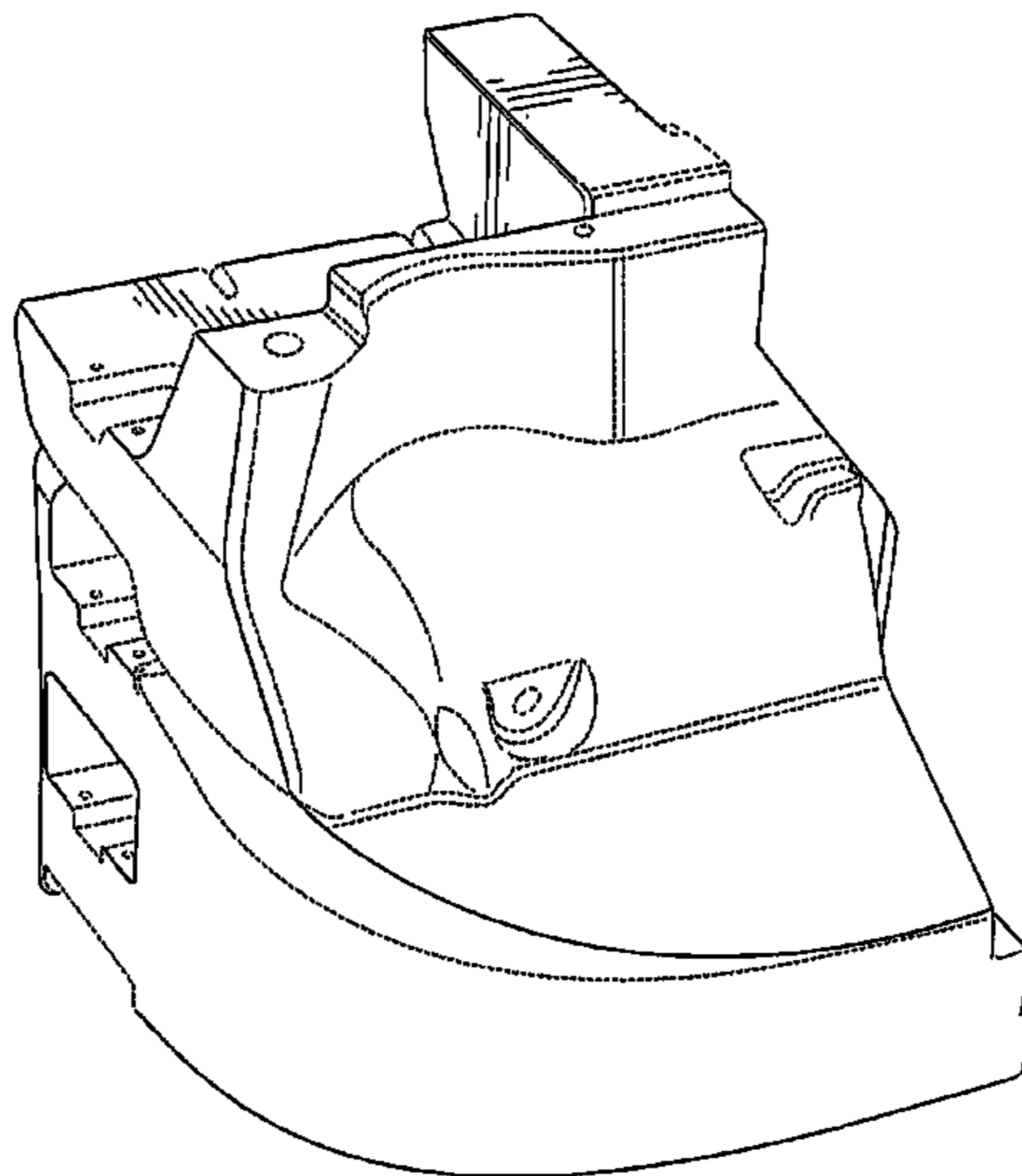
D435,503 S \* 12/2000 Gukeisen et al. .... D12/218

D441,710 S \* 5/2001 Moehle et al. .... D12/218

FIG. 14 is a bottom view of the fuel tank assembly illustrated in FIG. 8.

The surface shading and broken lines shown in FIGS. 1-14 represent portions of the fuel tank and related assembly that form no part of the claimed design.

**1 Claim, 14 Drawing Sheets**



(56)

**References Cited**

U.S. PATENT DOCUMENTS

D551,153 S *	9/2007	Oury	.....	D12/218	D644,161 S *	8/2011	Fries et al.	.....	D12/218
D556,094 S *	11/2007	May	.....	D12/126	D647,166 S *	10/2011	Kimball et al.	.....	D23/202
D556,214 S *	11/2007	Fretwell	.....	D15/5	D655,372 S *	3/2012	Kimball et al.	.....	D23/202
D643,796 S *	8/2011	Heinemann et al.	.....	D12/218	D663,325 S *	7/2012	Thunstrom et al.	.....	D15/28
D644,160 S *	8/2011	Fries et al.	.....	D12/218	D669,099 S *	10/2012	Ringer et al.	.....	D15/28
					D669,100 S *	10/2012	Ringer et al.	.....	D15/28
					D673,587 S *	1/2013	Truan et al.	.....	D15/28

\* cited by examiner

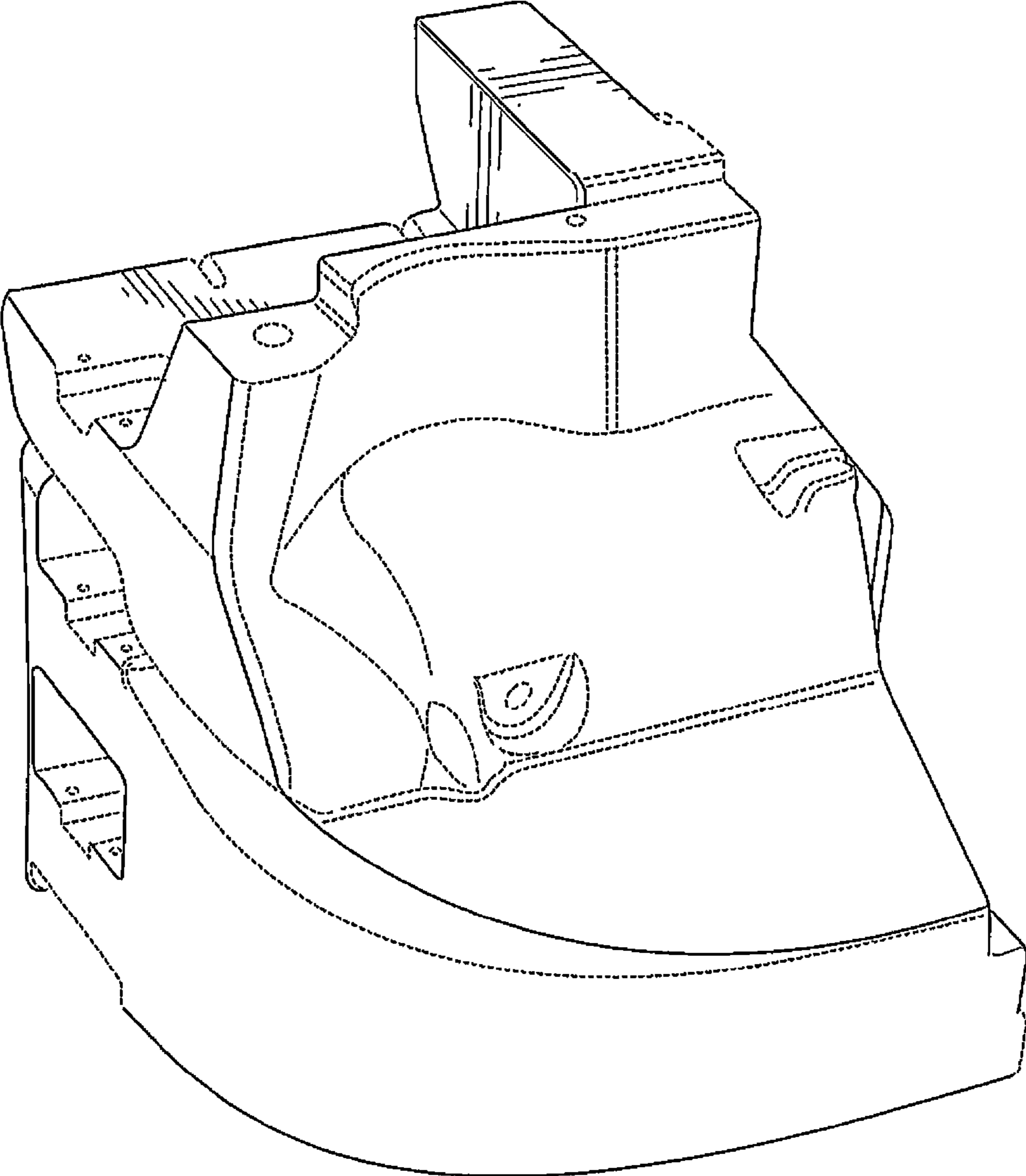


FIG. 1

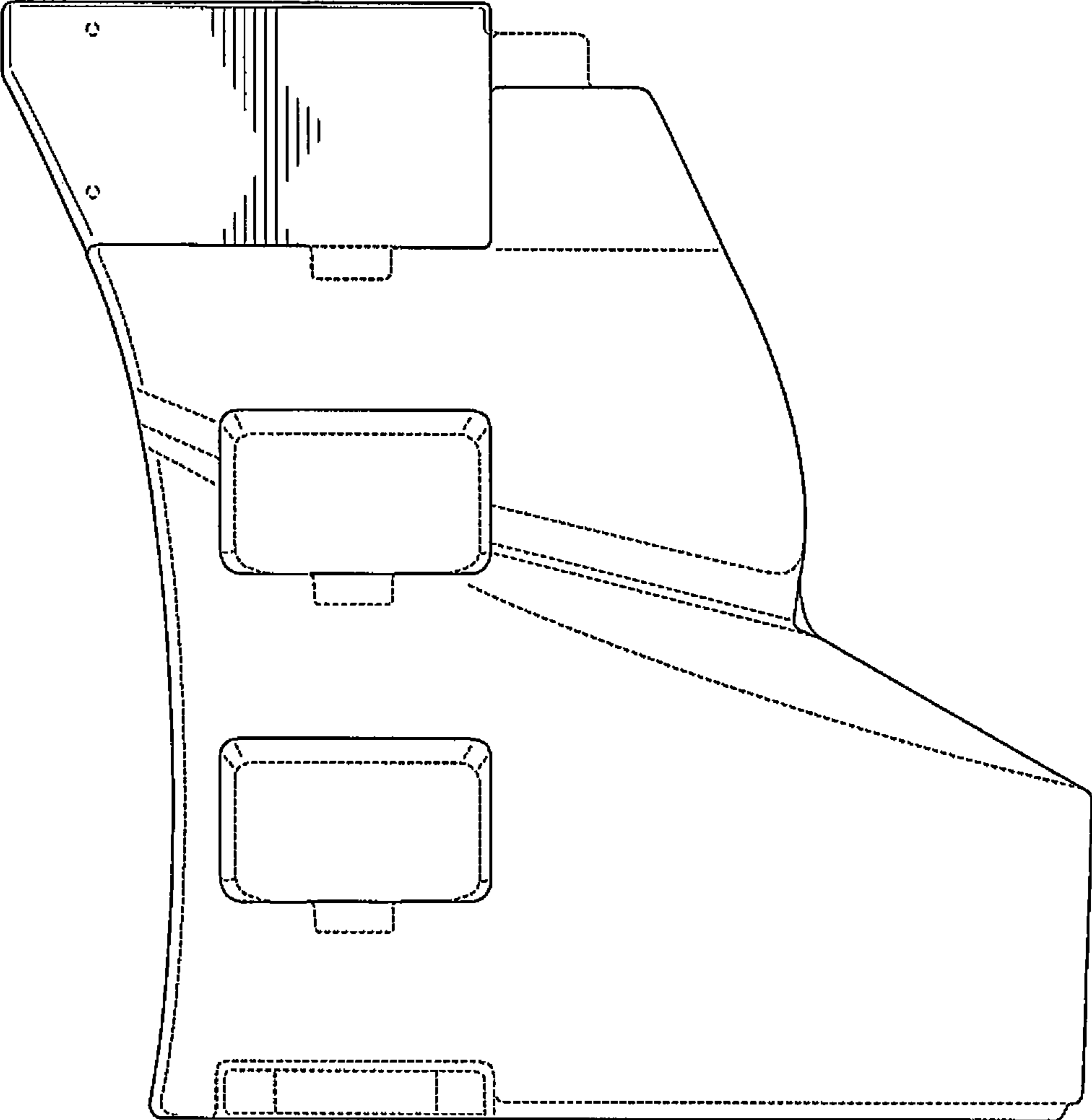


FIG. 2

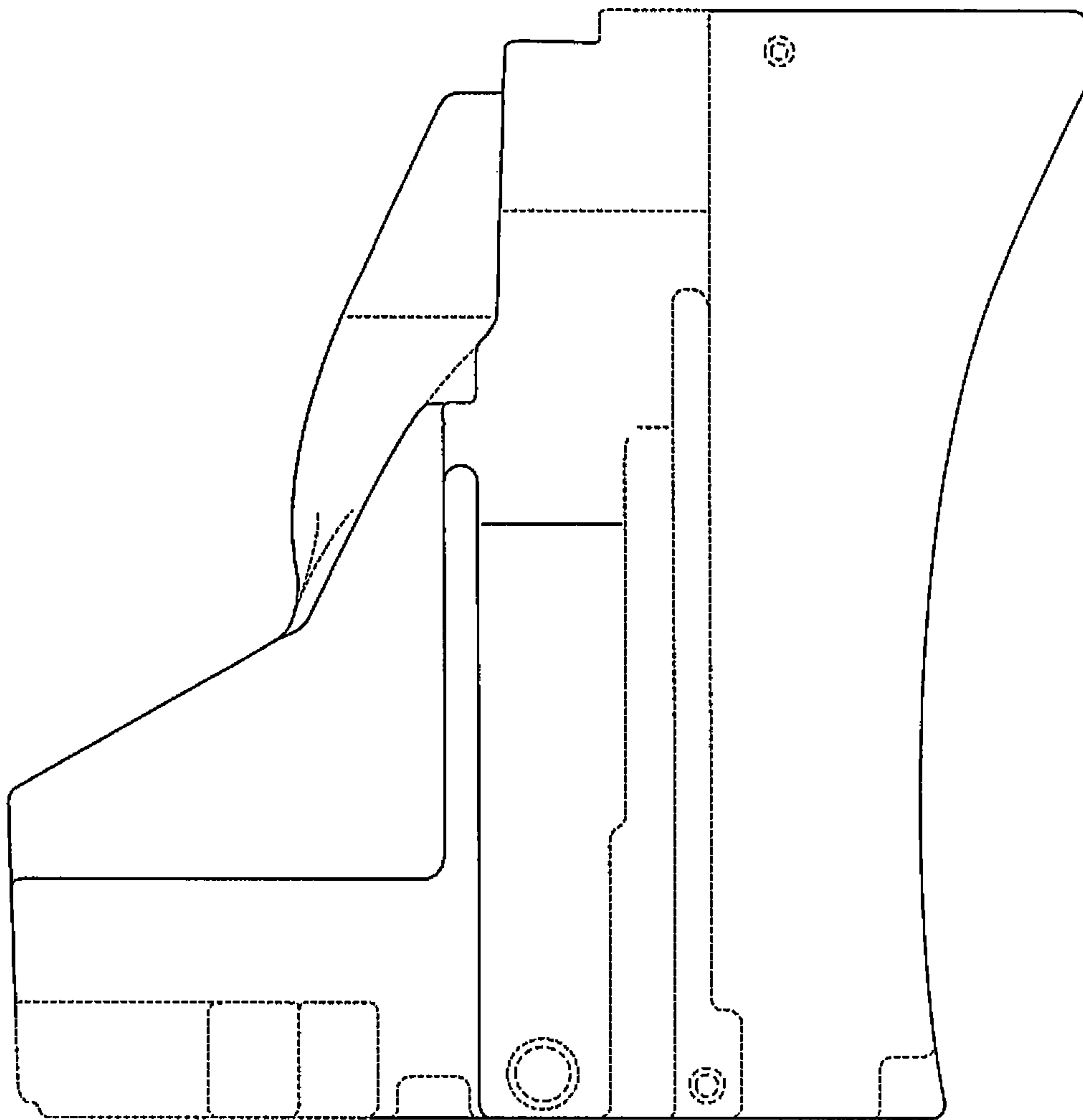
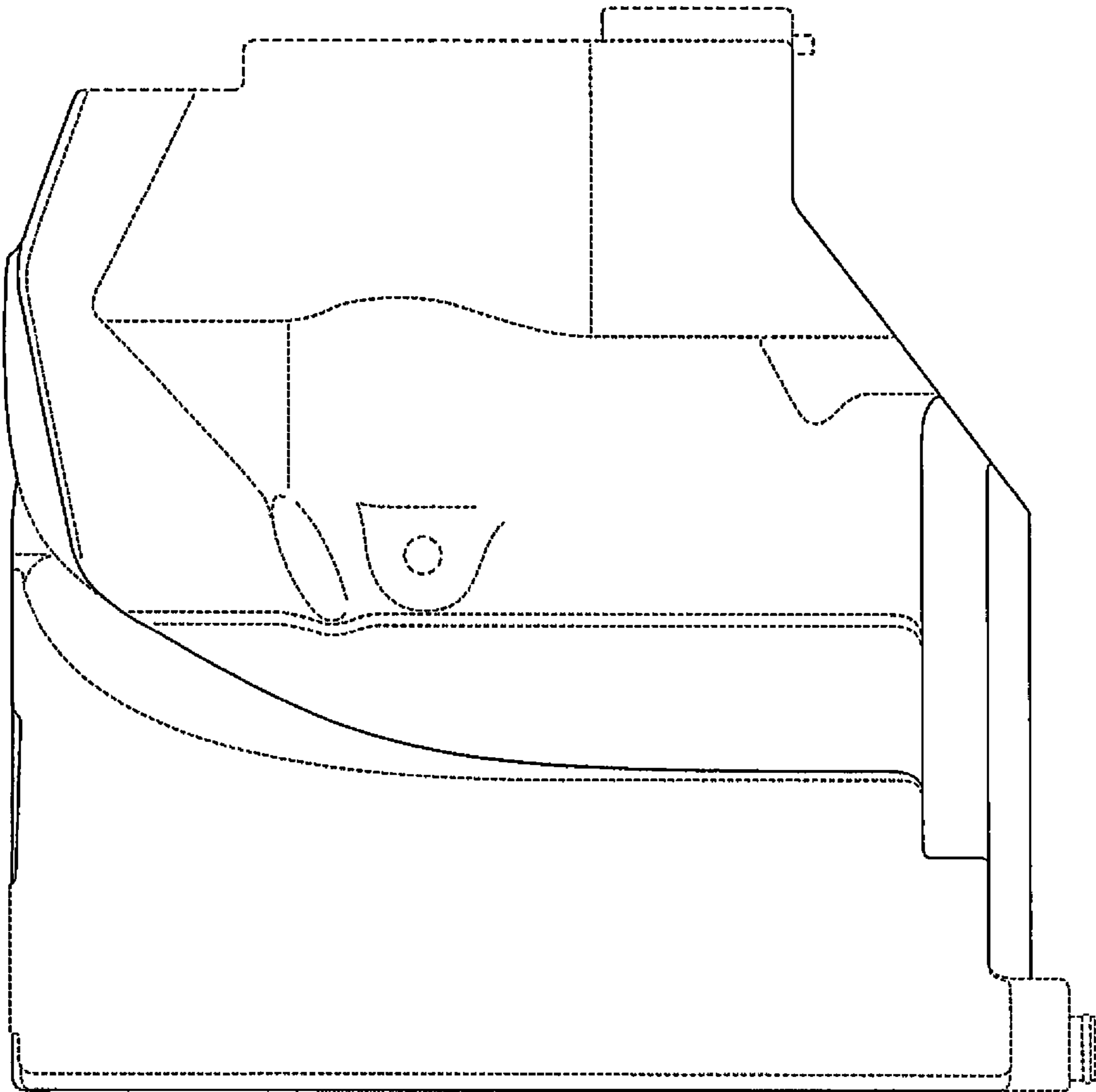


FIG. 3



**FIG. 4**

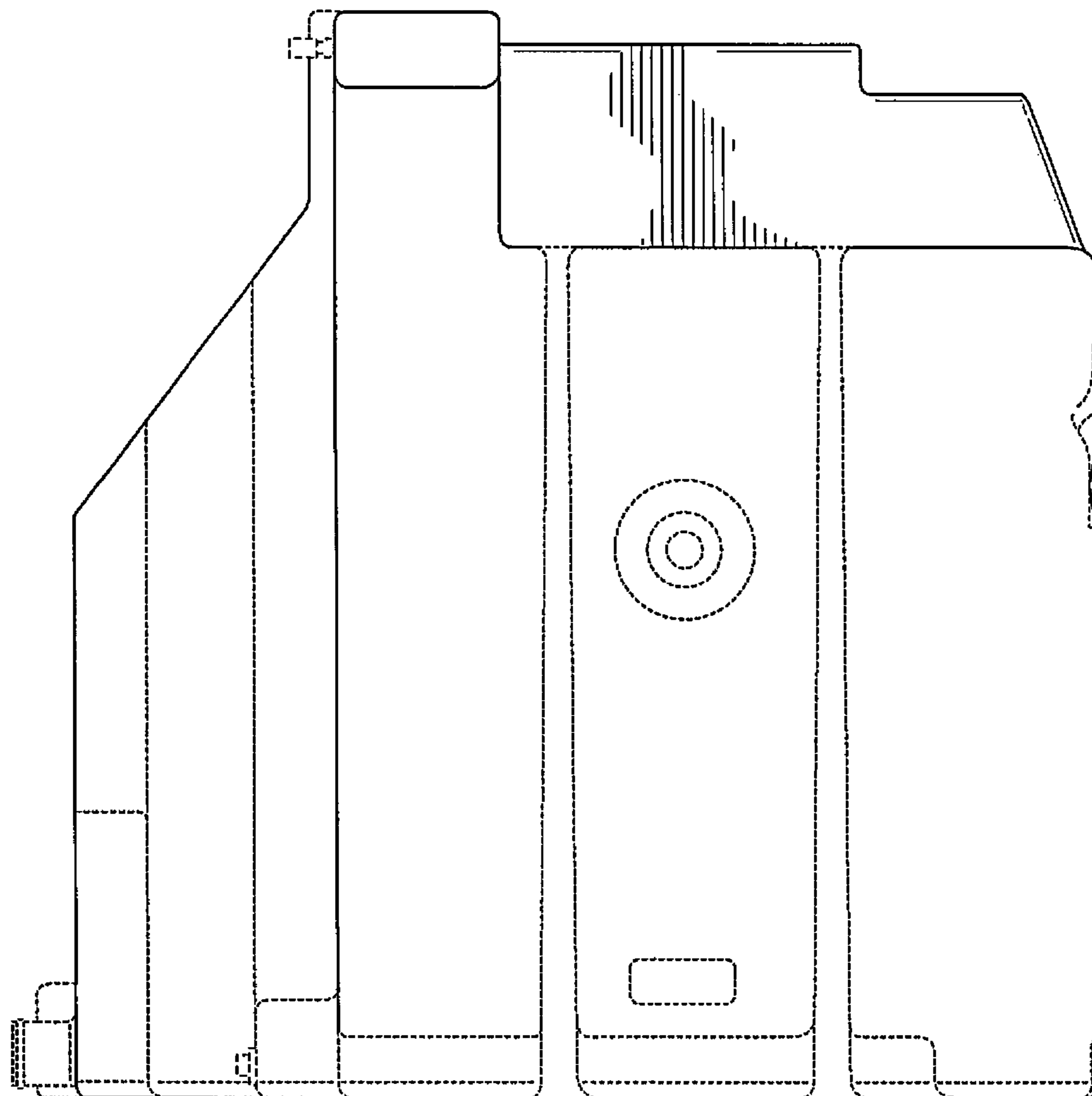


FIG. 5

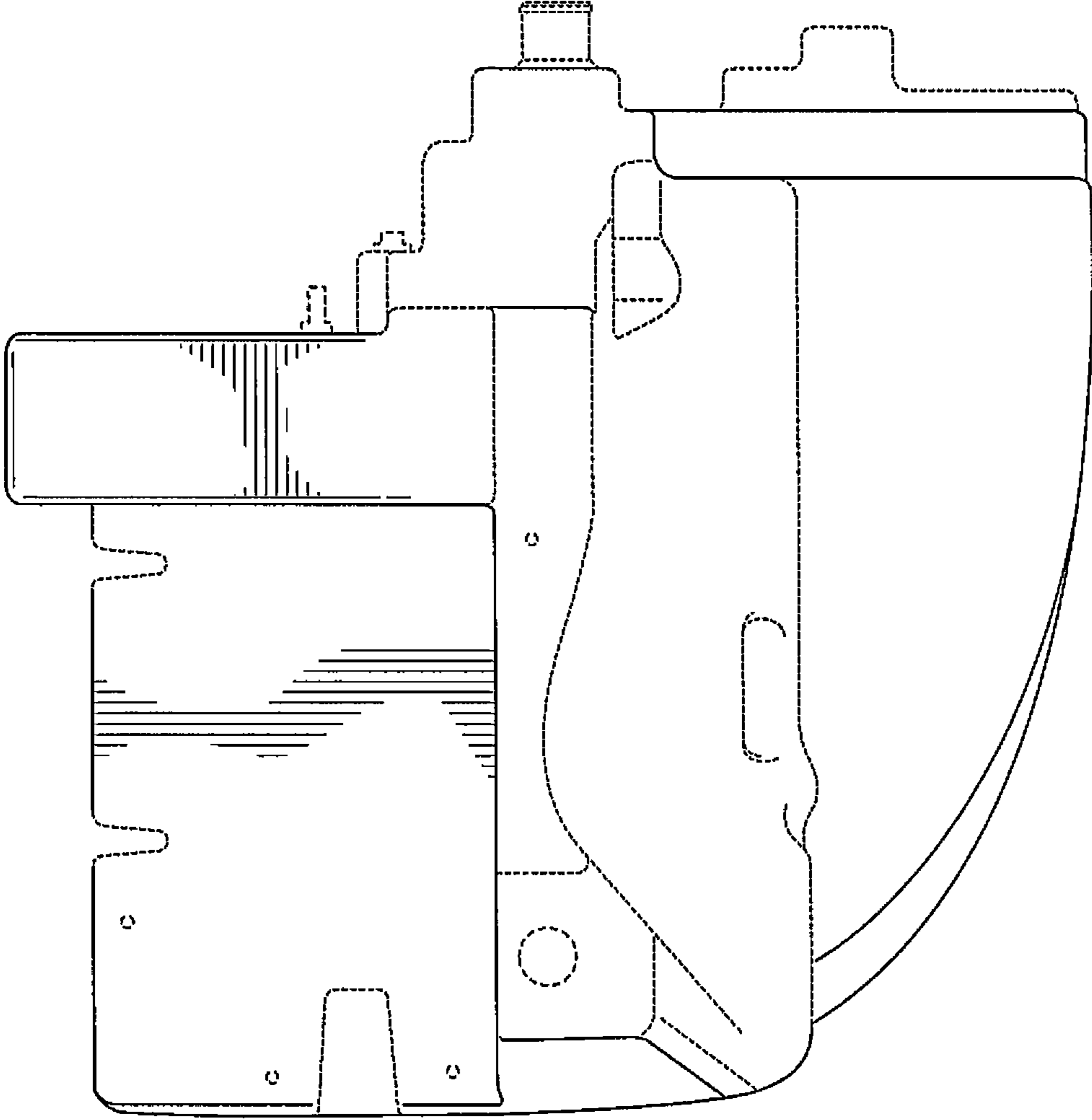


FIG. 6



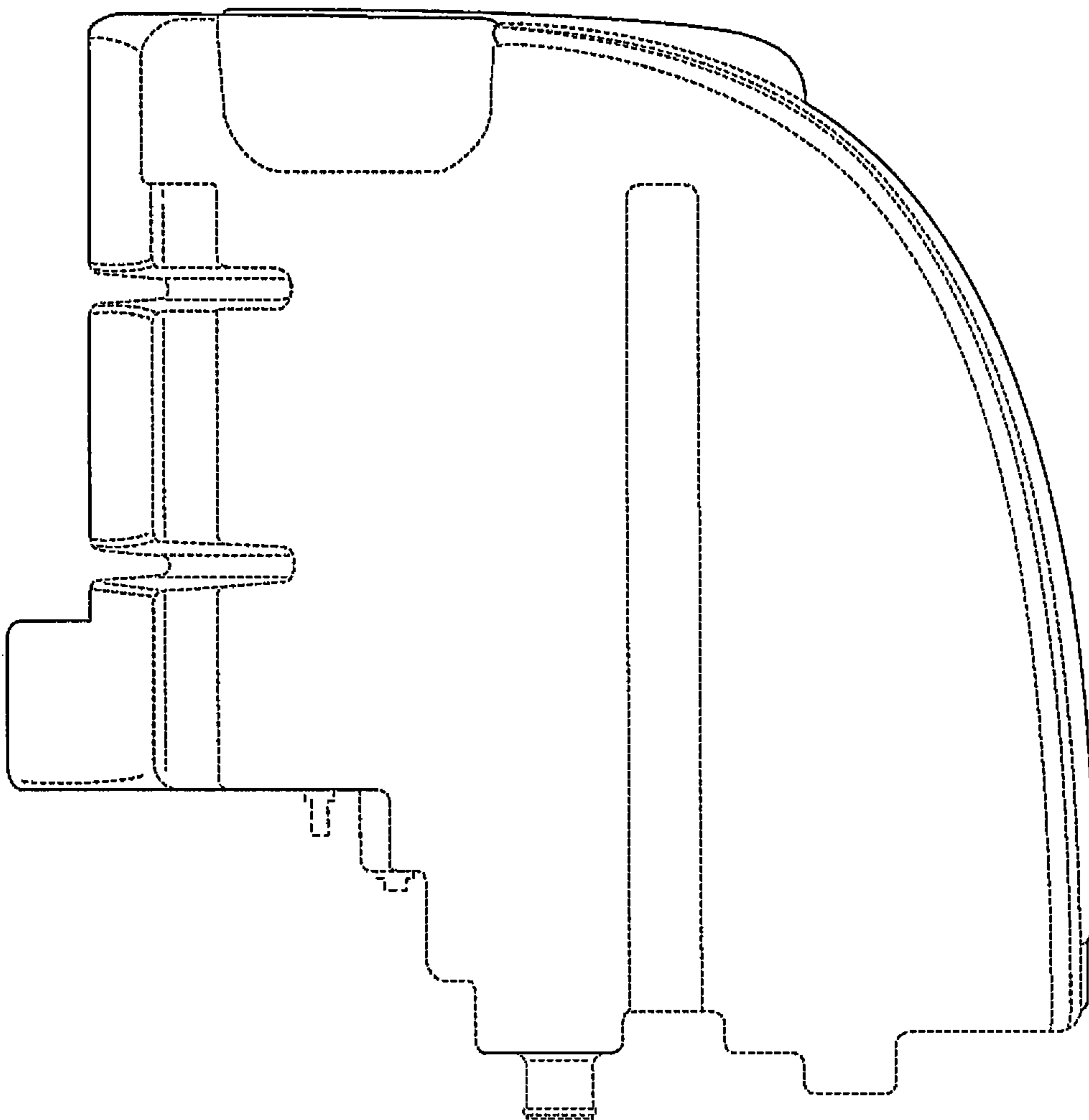


FIG. 7

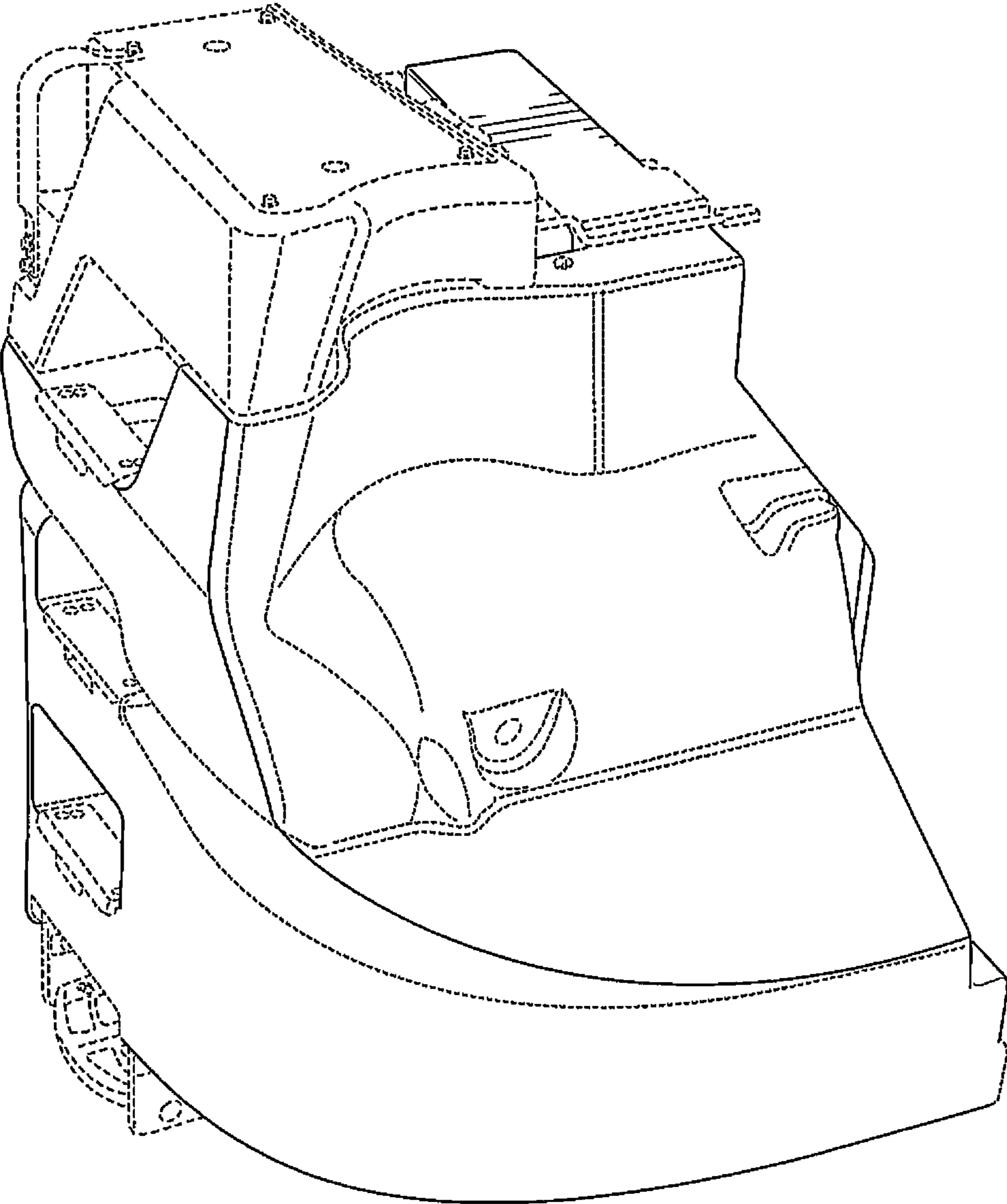


FIG. 8

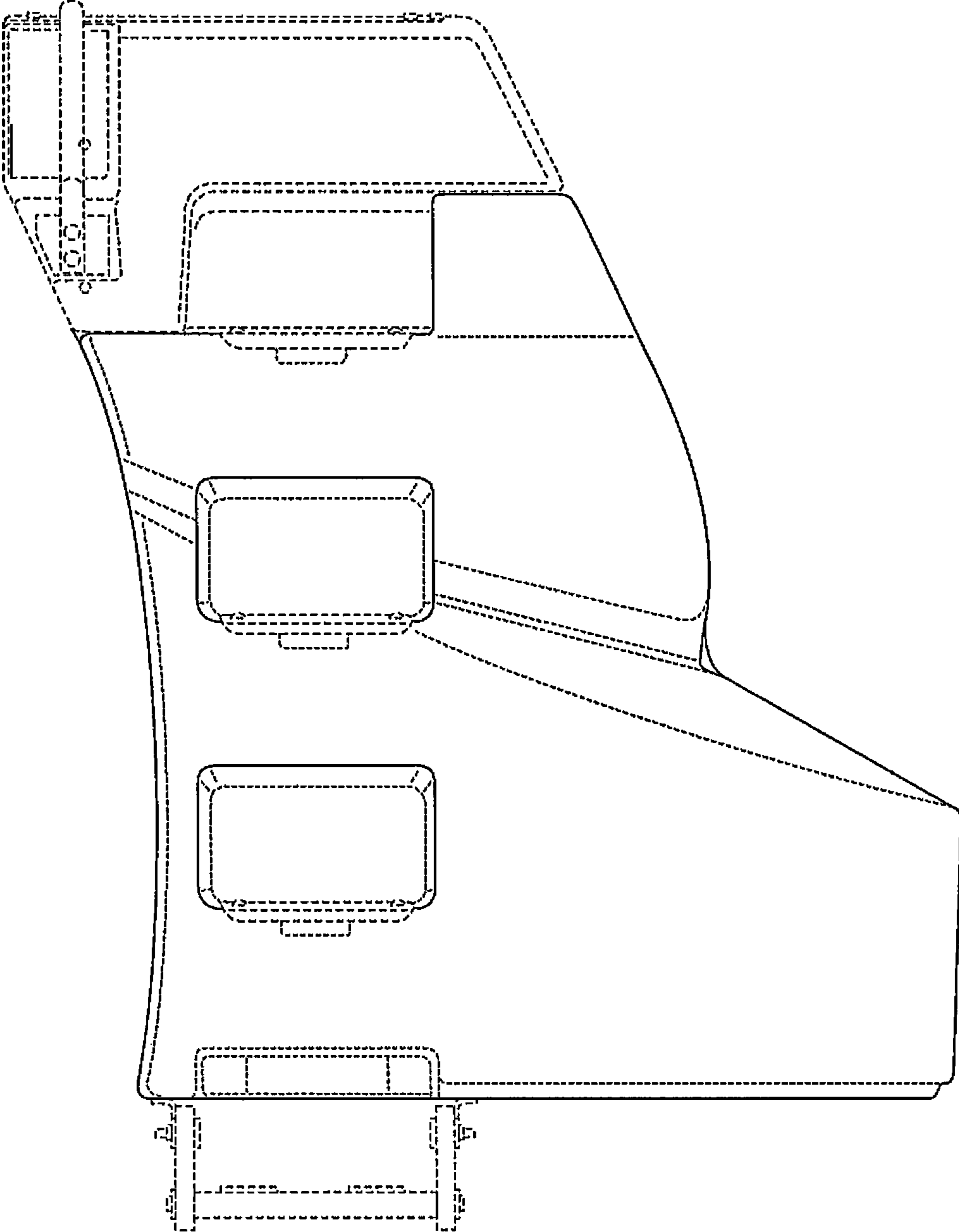


FIG. 9

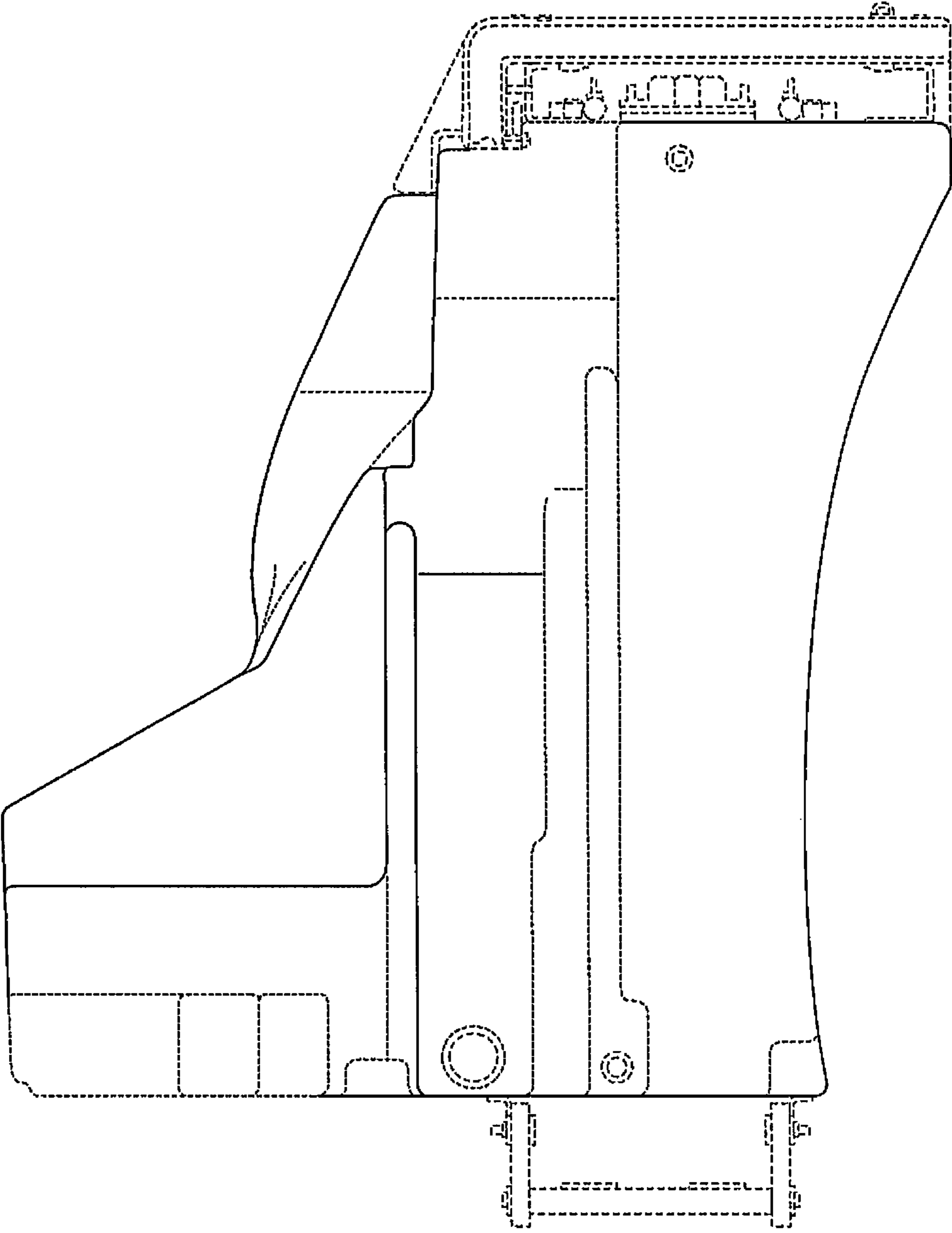


FIG. 10

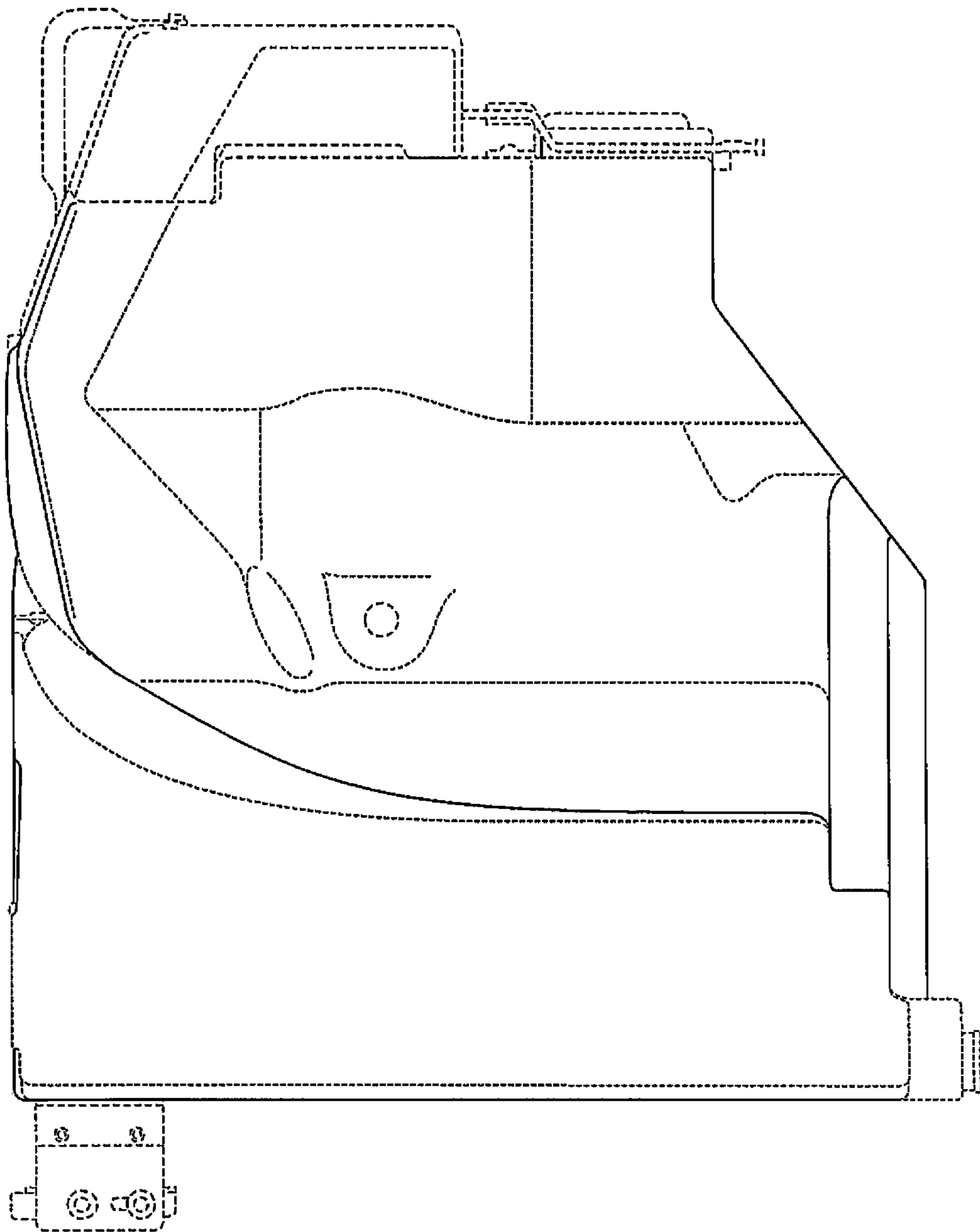


FIG. 11

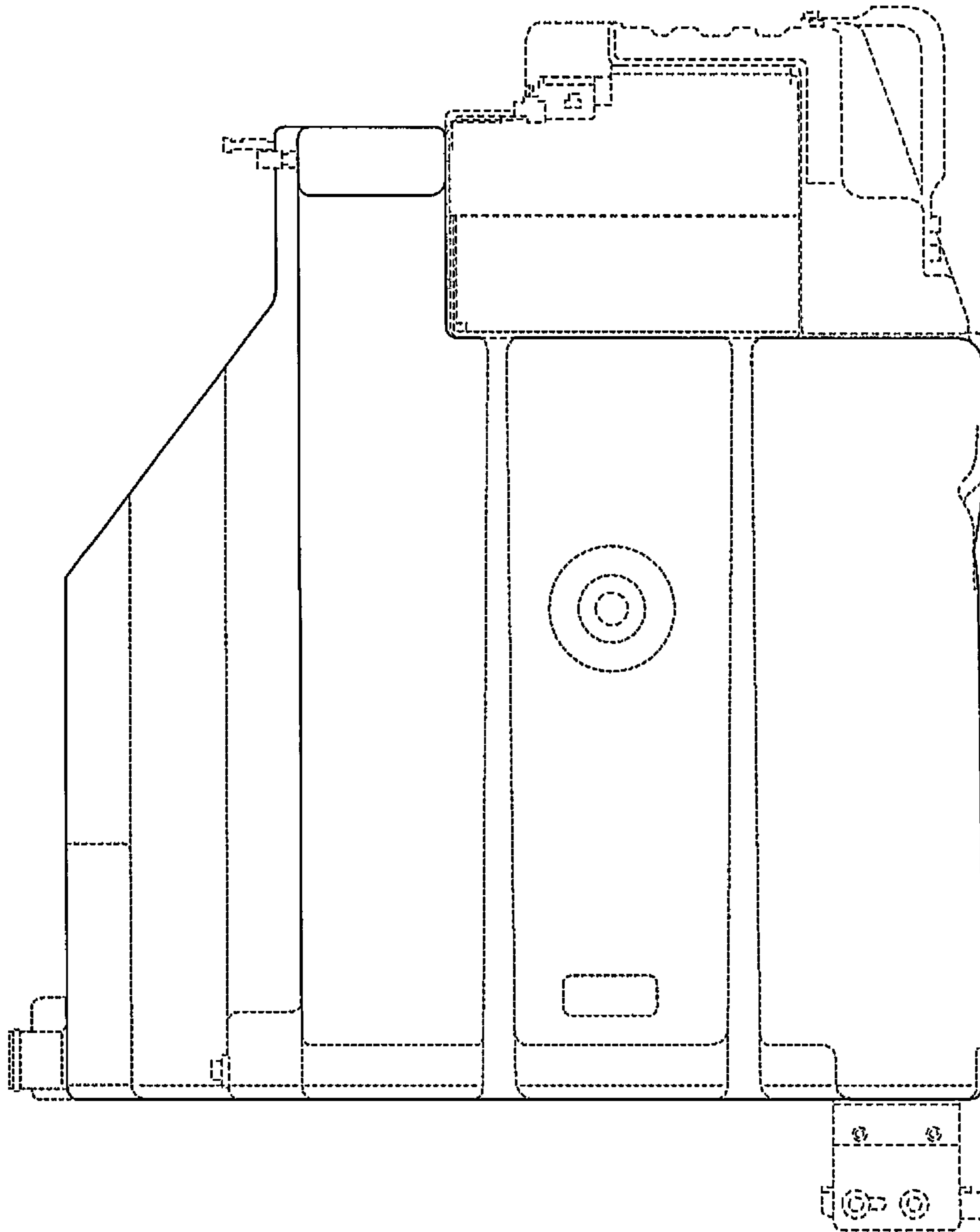


FIG. 12

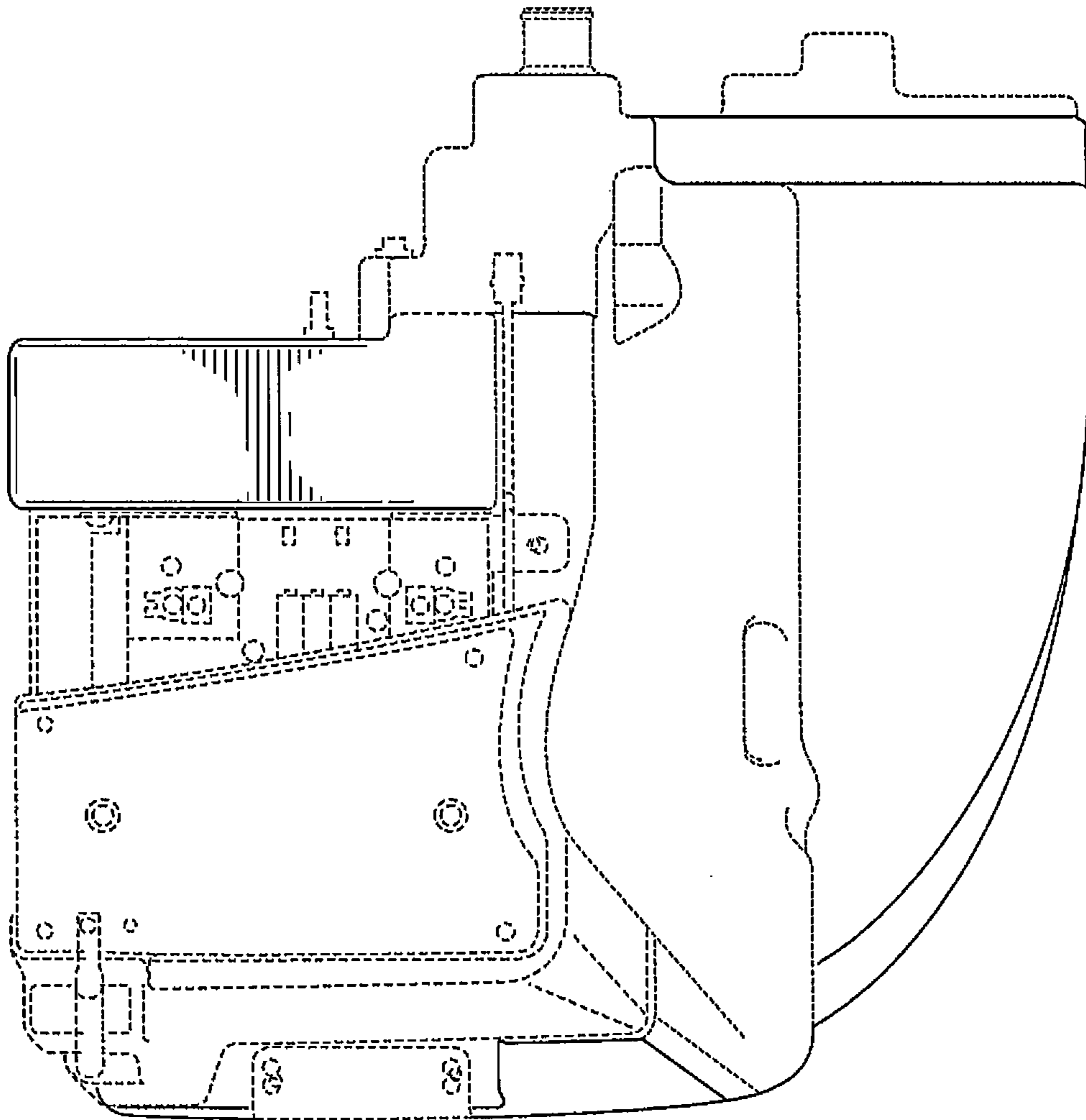


FIG. 13

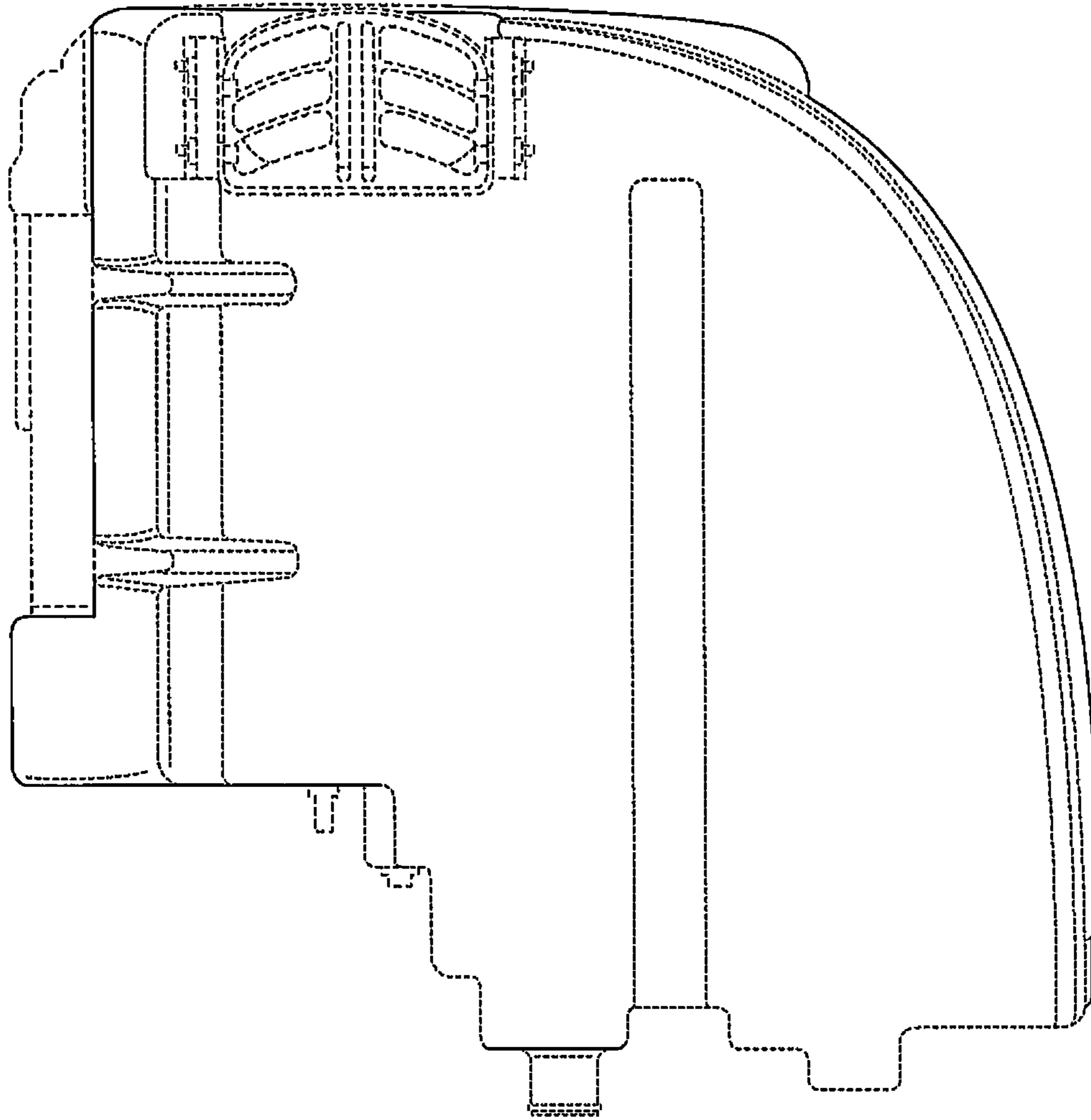


FIG. 14