



US00D728632S

(12) **United States Design Patent**
Klassen et al.

(10) **Patent No.:** **US D728,632 S**

(45) **Date of Patent:** **** May 5, 2015**

(54) **FUEL TANK AND RELATED ASSEMBLY**

D484,893 S * 1/2004 Hsiao D15/9
D488,757 S * 4/2004 Gough D12/196
D537,450 S * 2/2007 Fretwell D15/4

(71) Applicant: **CNH America LLC**, New Holland, PA (US)

(Continued)

(72) Inventors: **Mark Klassen**, Lockport, IL (US);
Larry Wilson, Racine, WI (US);
Thomas Chlystek, Darien, IL (US);
Phetsamone Siriphong, South Elgin, IL (US);
Michael Bunnell, Clarendon Hills, IL (US);
Carl Fletcher, Naperville, IL (US);
John Schrepferman, South Elgin, IL (US);
Neil Zimmerman, Kenosha, WI (US)

Primary Examiner — Mark Goodwin

(74) *Attorney, Agent, or Firm* — Sue C. Watson

(57) **CLAIM**

The ornamental design for a fuel tank and related assembly, as shown and described.

DESCRIPTION

(73) Assignee: **CNH Industrial America LLC**, New Holland, PA (US)

FIG. 1 is a perspective view of the fuel tank according to one aspect of the present invention.

FIG. 2 is a front view of the fuel tank illustrated in FIG. 1.

FIG. 3 is a rear view of the fuel tank illustrated in FIG. 1.

FIG. 4 is a side view of the fuel tank illustrated in FIG. 1.

FIG. 5 is another side view of the fuel tank illustrated in FIG. 1.

(**) Term: **14 Years**

FIG. 6 is a top view of the fuel tank illustrated in FIG. 1.

FIG. 7 is a bottom view of the fuel tank illustrated in FIG. 1.

(21) Appl. No.: **29/460,598**

FIG. 8 is a perspective view of a fuel tank assembly according to another aspect of the present invention, the fuel tank assembly including the fuel tank illustrated in FIGS. 1-8.

(22) Filed: **Jul. 12, 2013**

FIG. 9 is a front view of the fuel tank assembly illustrated in FIG. 8.

(51) **LOC (10) Cl.** **15-03**

FIG. 10 is a rear view of the fuel tank assembly illustrated in FIG. 8.

(52) **U.S. Cl.**

USPC **D15/28**; D12/218

FIG. 11 is a side view of the fuel tank assembly illustrated in FIG. 8.

(58) **Field of Classification Search**

USPC D15/1, 3, 5, 17, 28; D12/218; D23/202; 220/564, 524, 555, 567.2; 280/830, 280/833-835; 180/314, 69.4, 69.5, 900, 180/225; 123/518-520

FIG. 12 is another side view of the fuel tank assembly illustrated in FIG. 8.

See application file for complete search history.

FIG. 13 is a top view of the fuel tank assembly illustrated in FIG. 8; and,

(56) **References Cited**

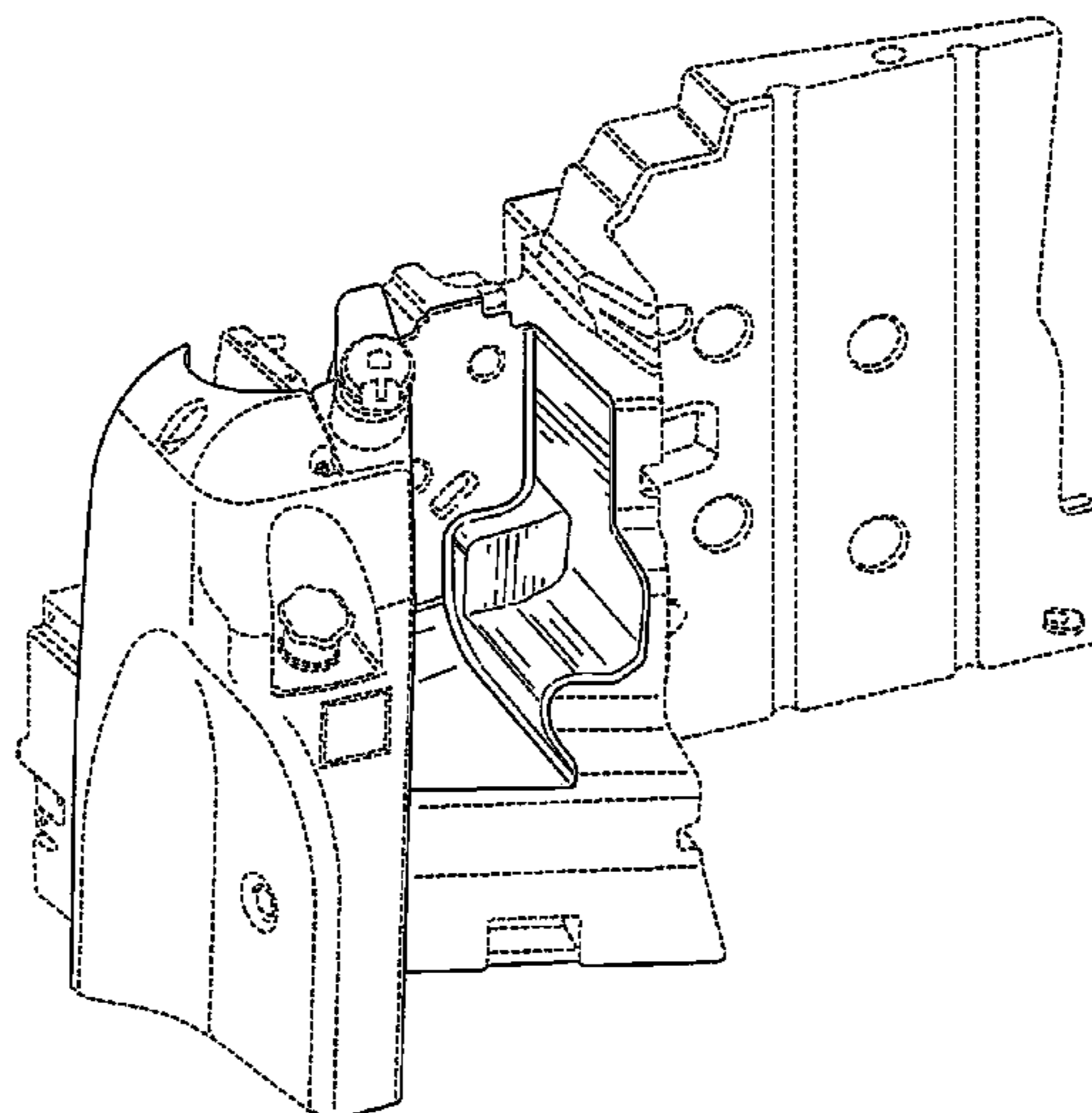
U.S. PATENT DOCUMENTS

4,480,845 A * 11/1984 Hansen 280/834
D433,425 S * 11/2000 Surridge et al. D15/17
D435,503 S * 12/2000 Gukeisen et al. D12/218
D441,710 S * 5/2001 Moehle et al. D12/218

FIG. 14 is a bottom view of the fuel tank assembly illustrated in FIG. 8.

The surface shading and broken lines shown in FIGS. 1-14 represent portions of the fuel tank and related assembly that form no part of the claimed design.

1 Claim, 14 Drawing Sheets



(56)

References Cited

U.S. PATENT DOCUMENTS

D551,153 S * 9/2007 Oury D12/218
D556,094 S * 11/2007 May D12/126
D556,214 S * 11/2007 Fretwell D15/5
D643,796 S * 8/2011 Heinemann et al. D12/218
D644,160 S * 8/2011 Fries et al. D12/218

D644,161 S * 8/2011 Fries et al. D12/218
D647,166 S * 10/2011 Kimball et al. D23/202
D655,372 S * 3/2012 Kimball et al. D23/202
D663,325 S * 7/2012 Thunstrom et al. D15/28
D669,099 S * 10/2012 Ringer et al. D15/28
D669,100 S * 10/2012 Ringer et al. D15/28
D673,587 S * 1/2013 Truan et al. D15/28

* cited by examiner

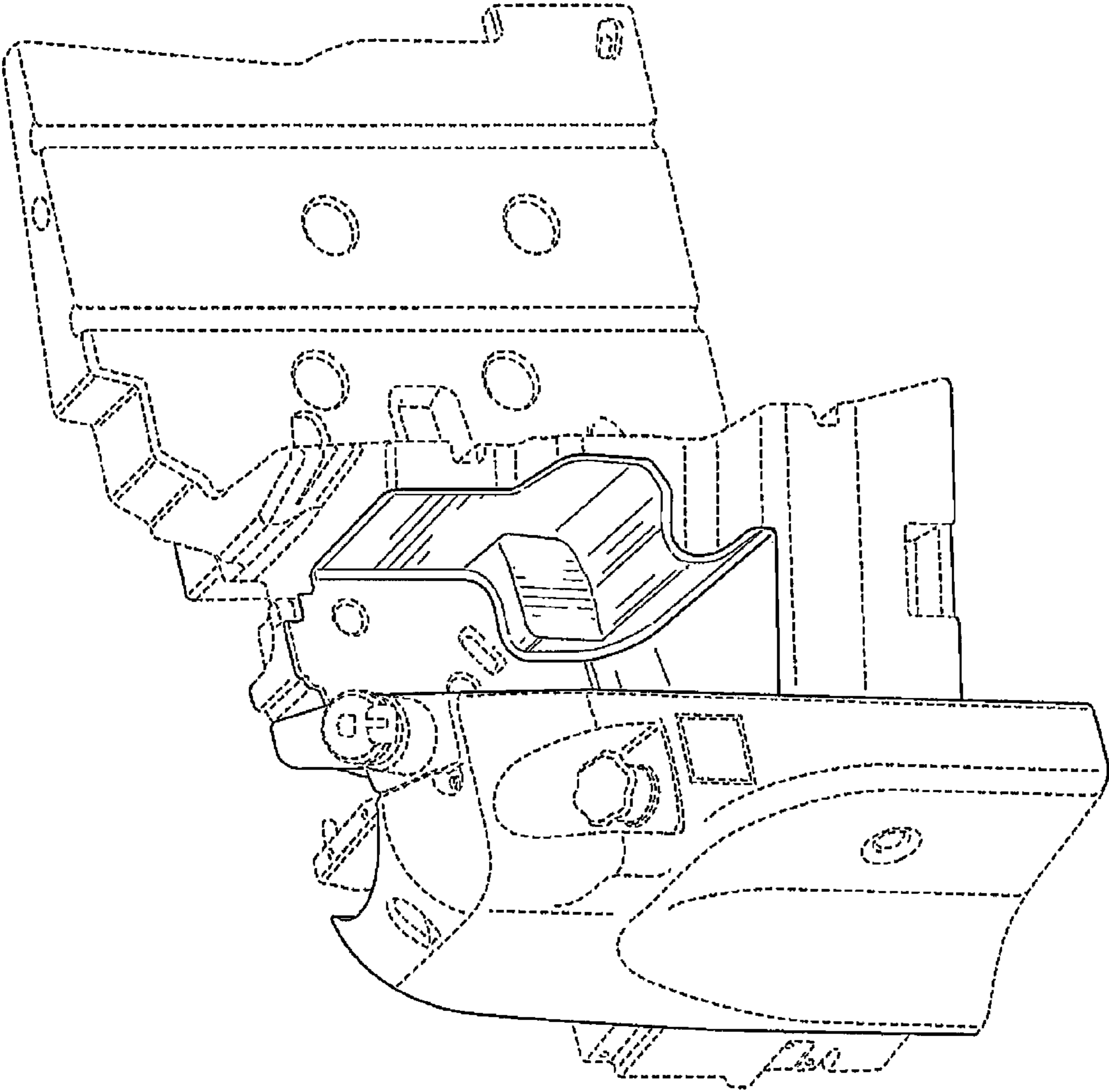


FIG. 1

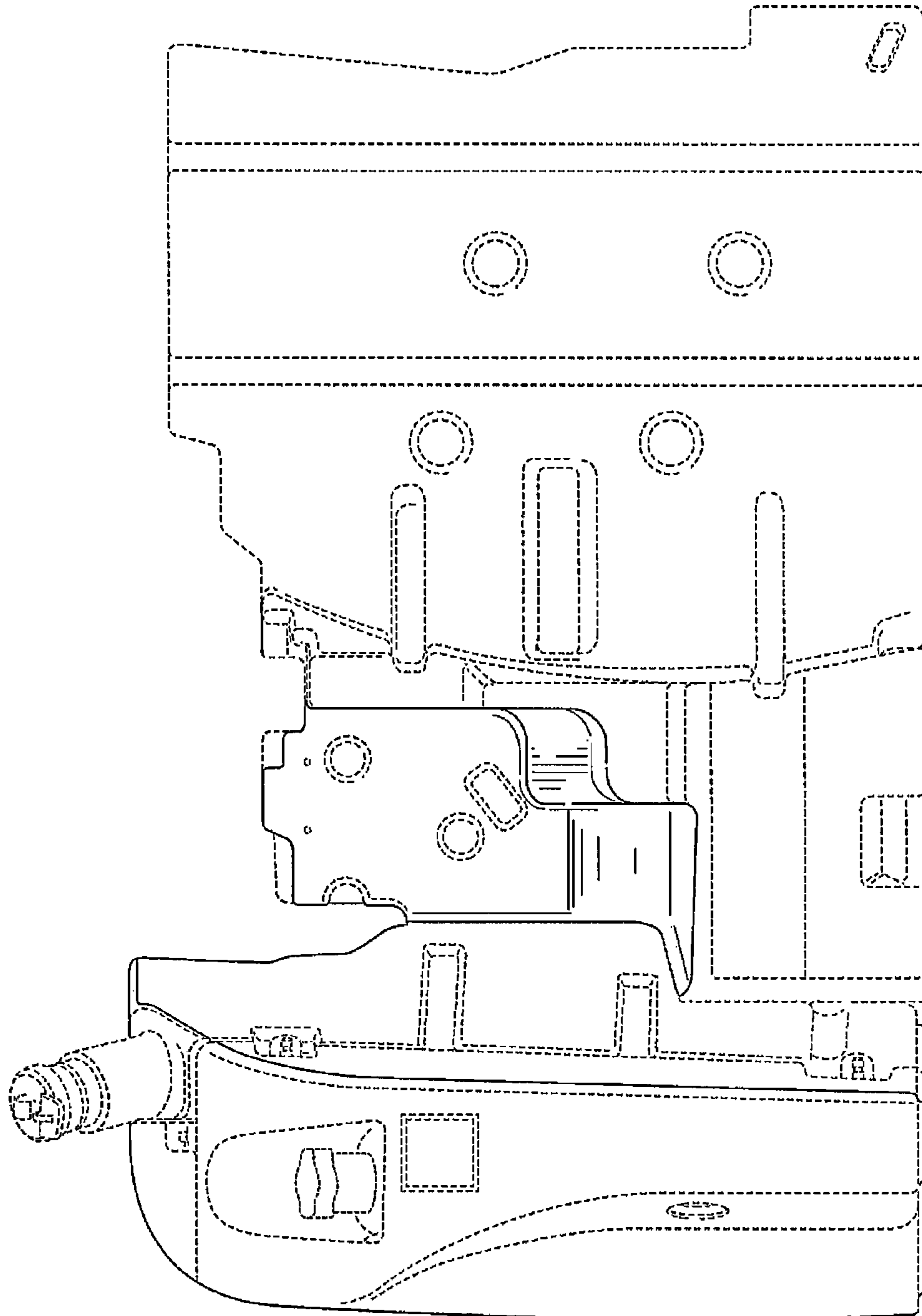


FIG. 2

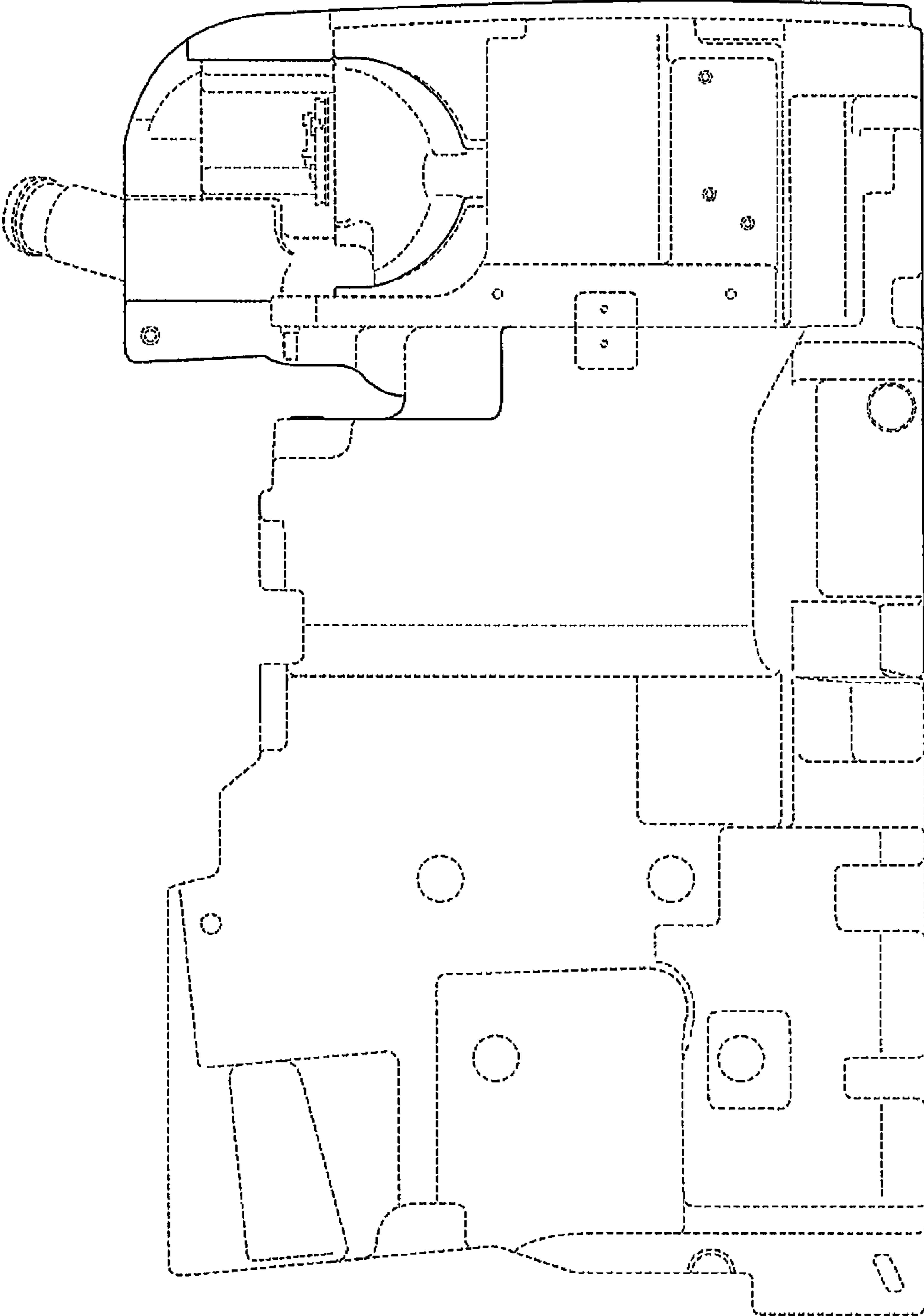


FIG. 3

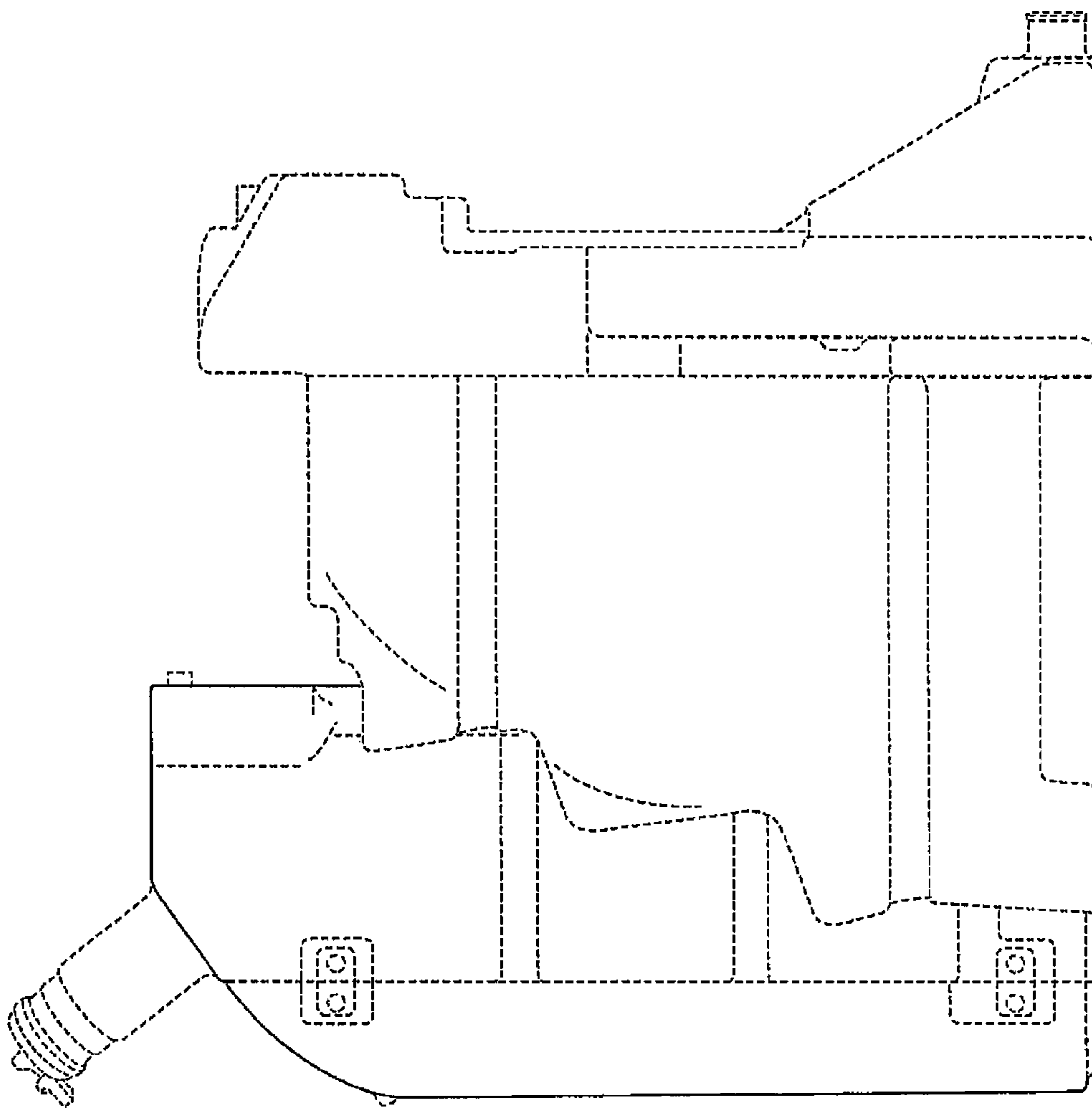


FIG. 4

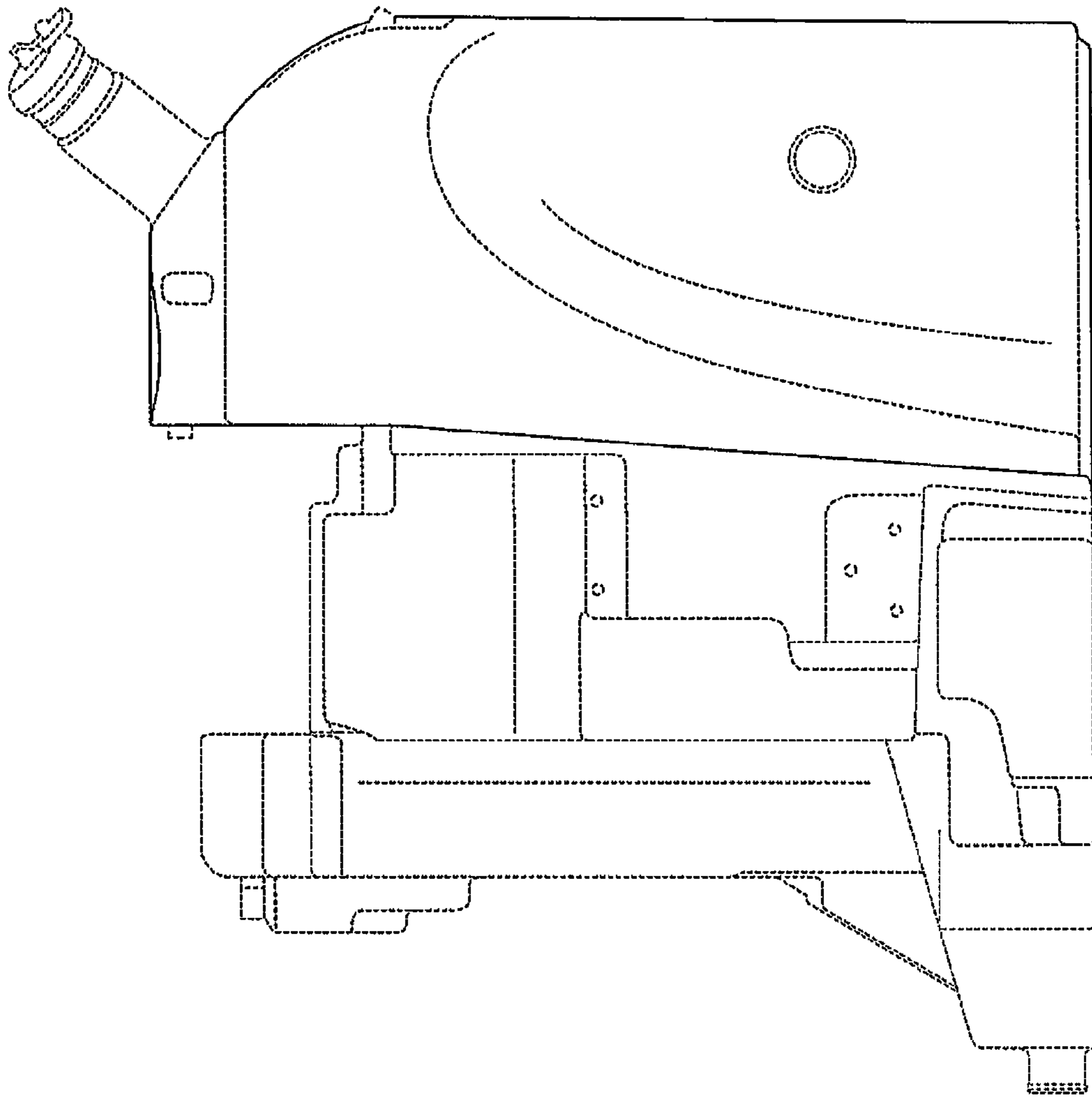
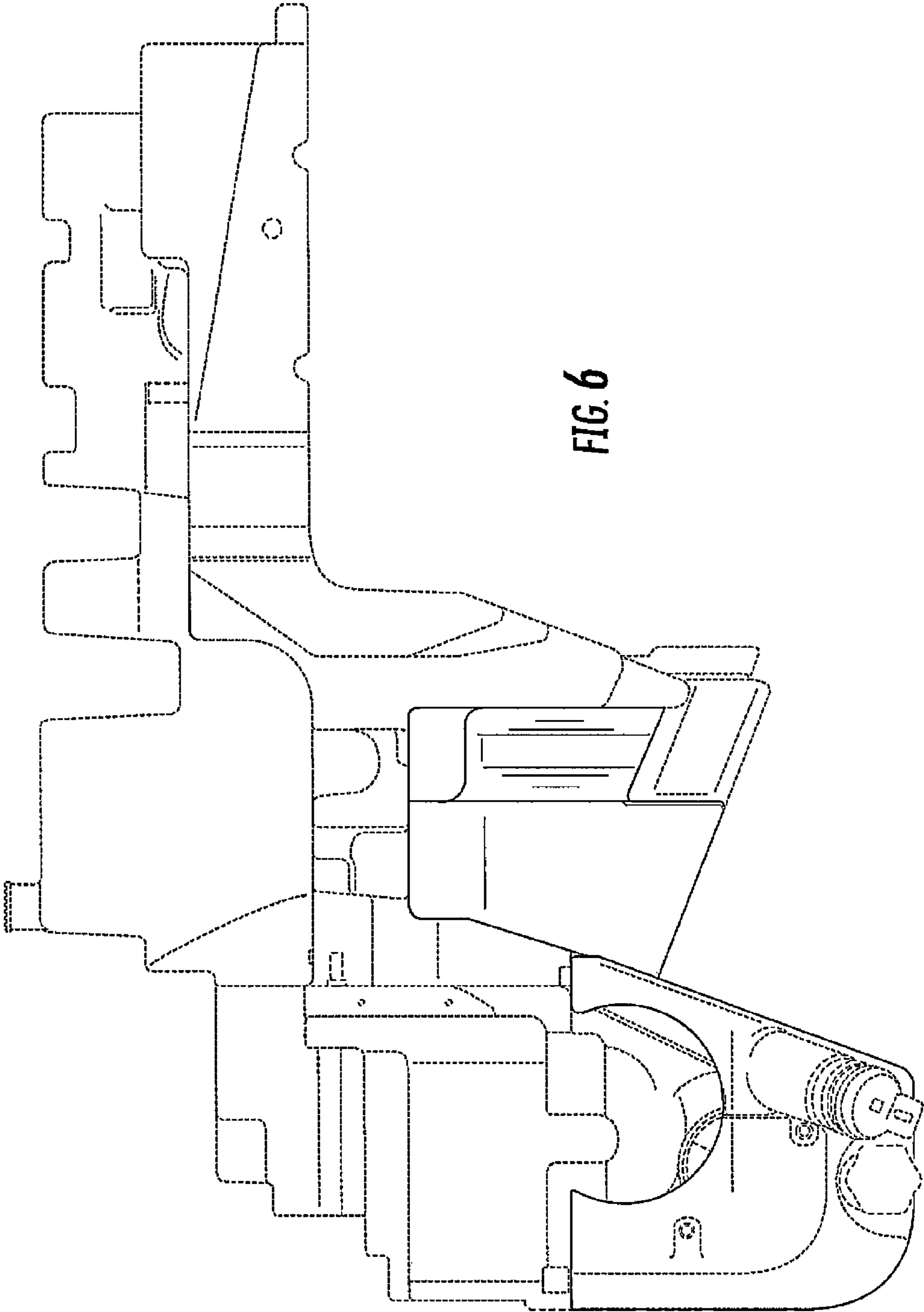


FIG. 5



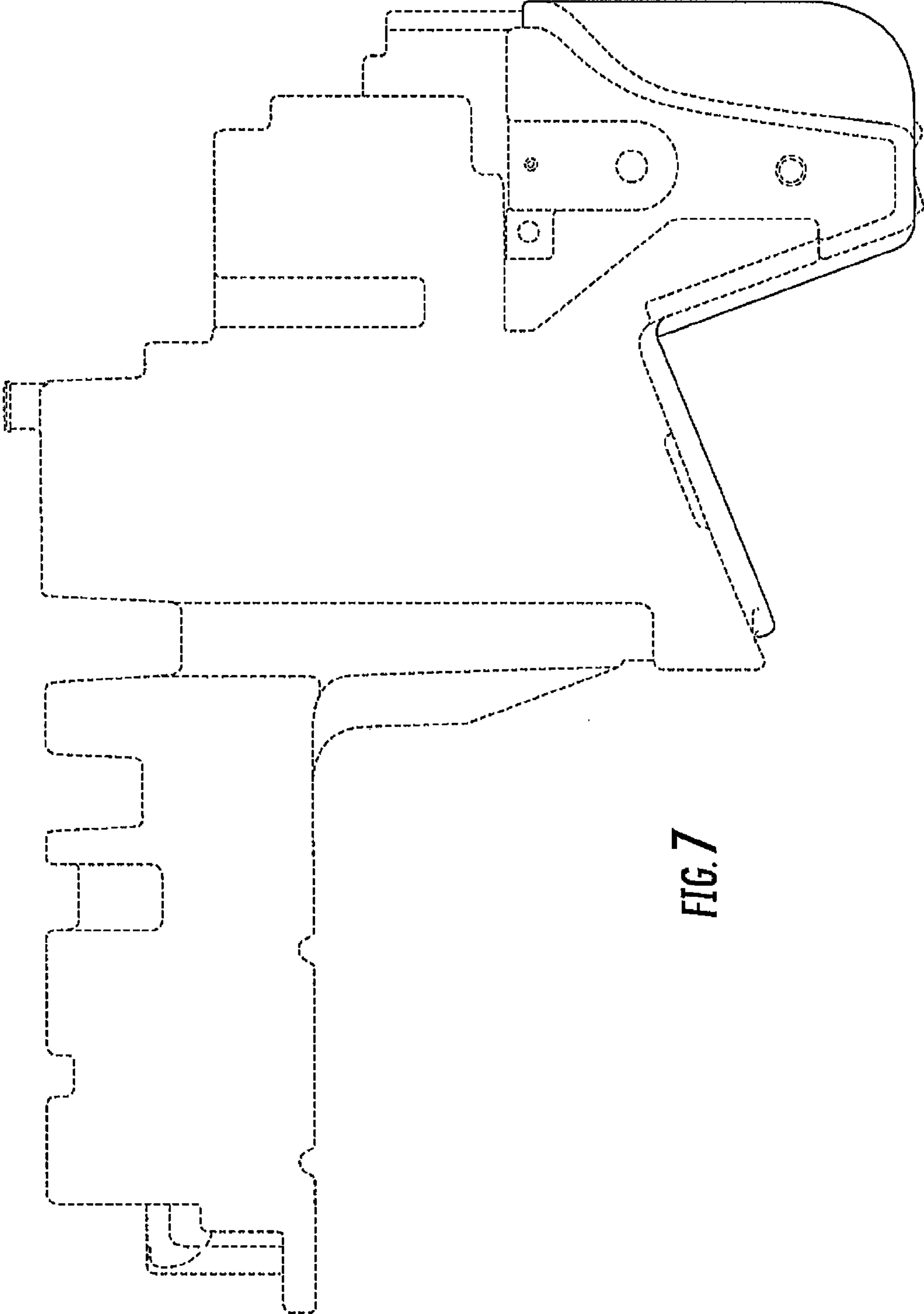


FIG. 7

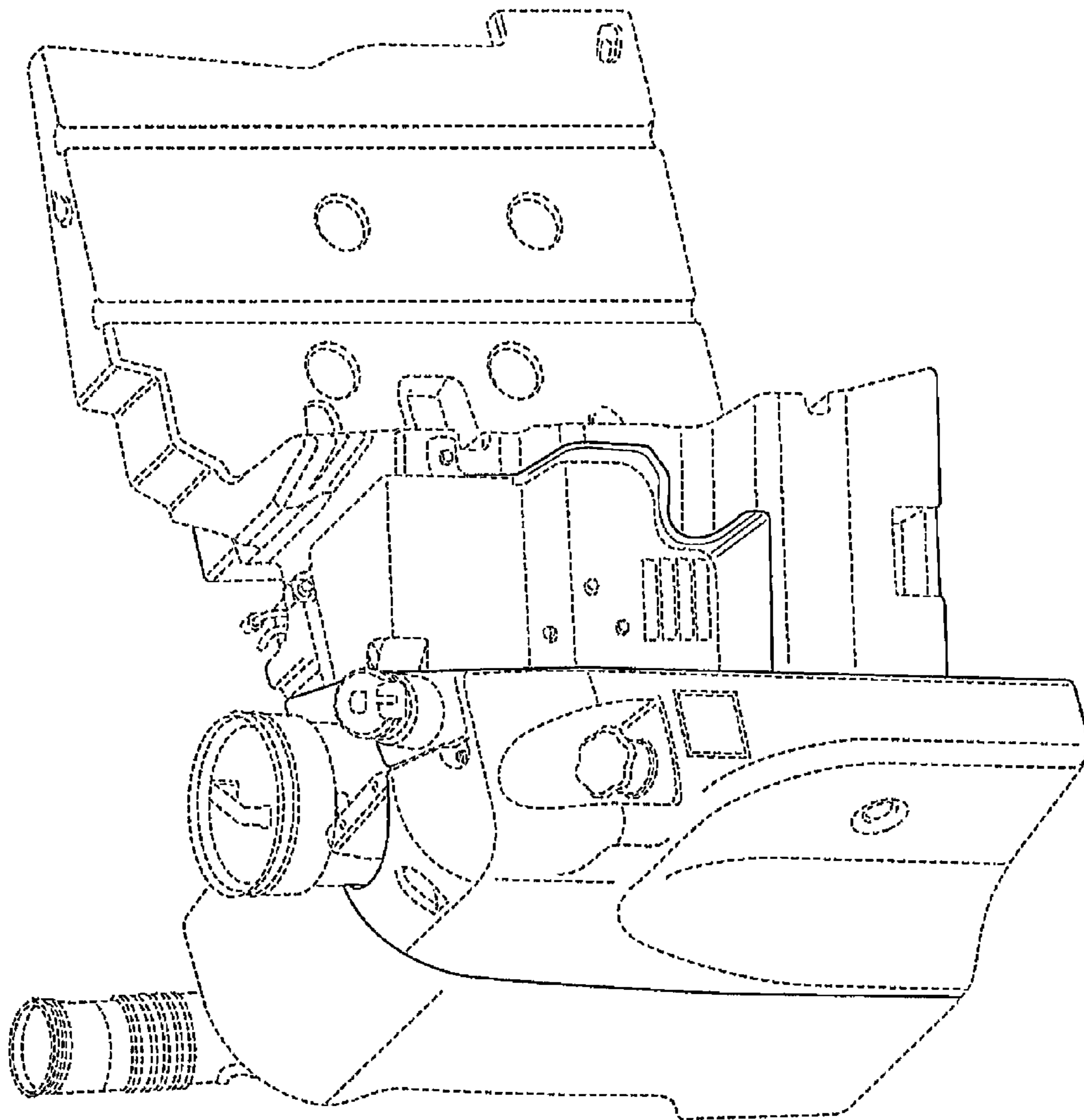


FIG. 8

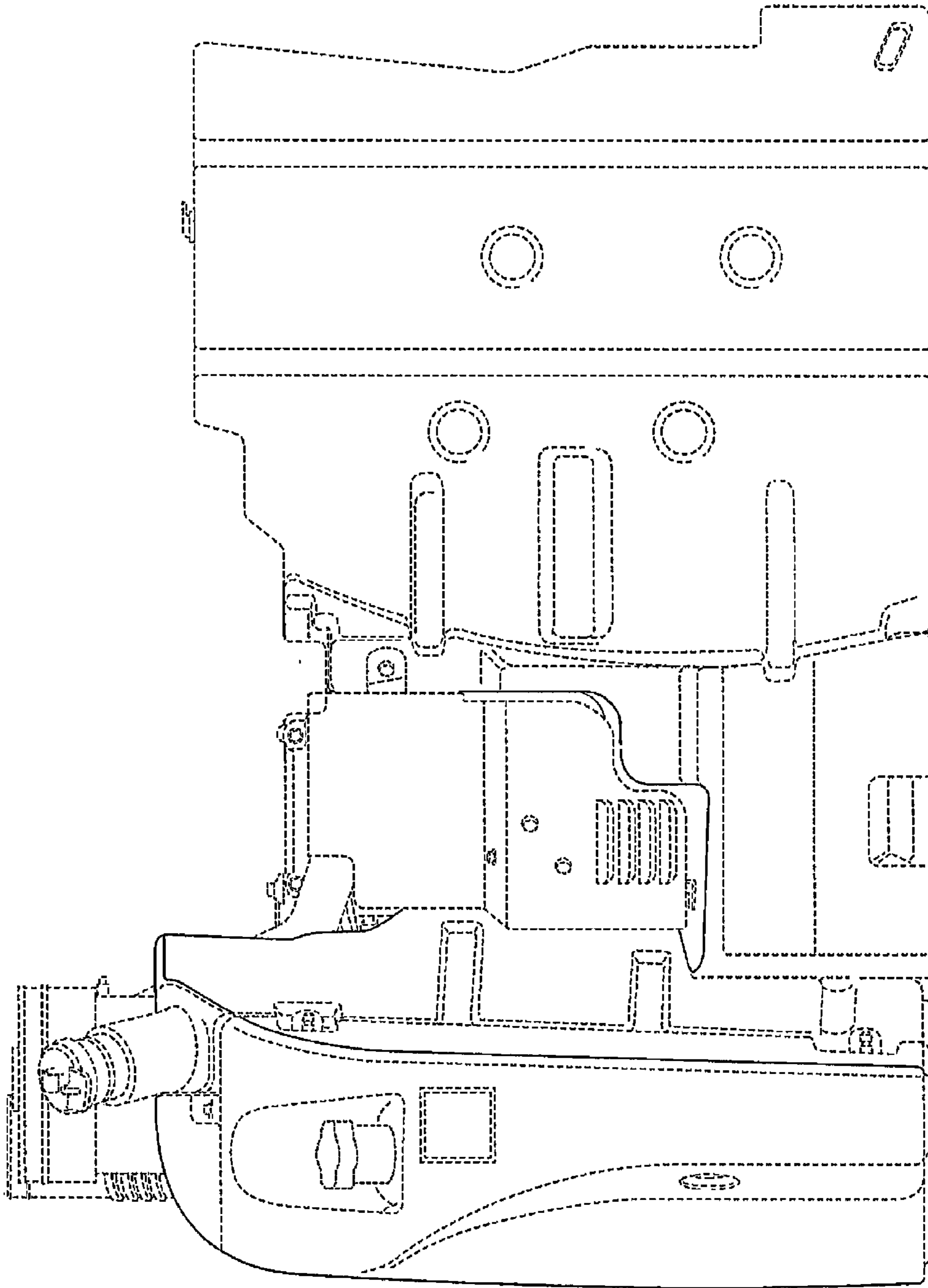


FIG. 9

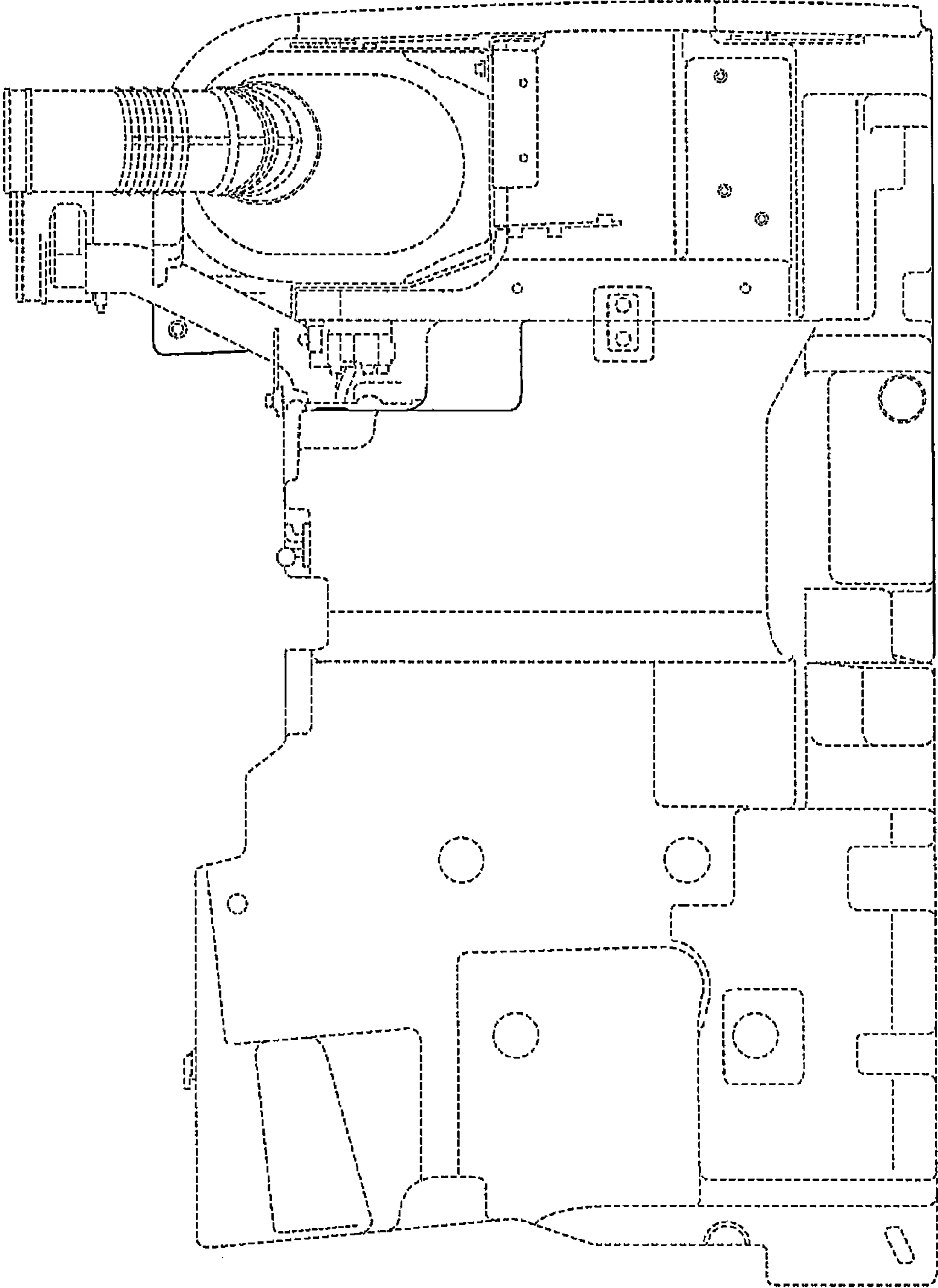


FIG. 10

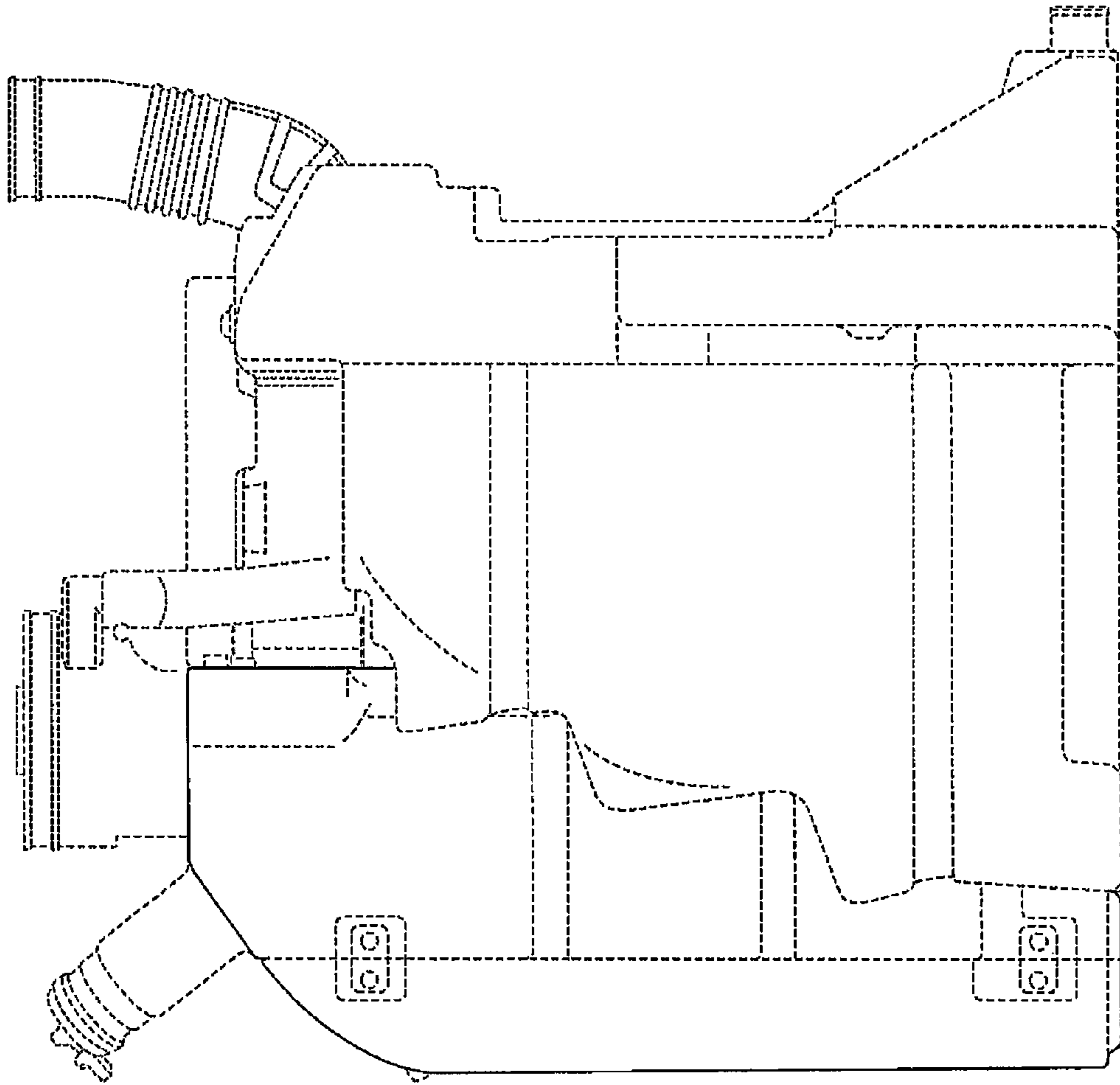


FIG. 11

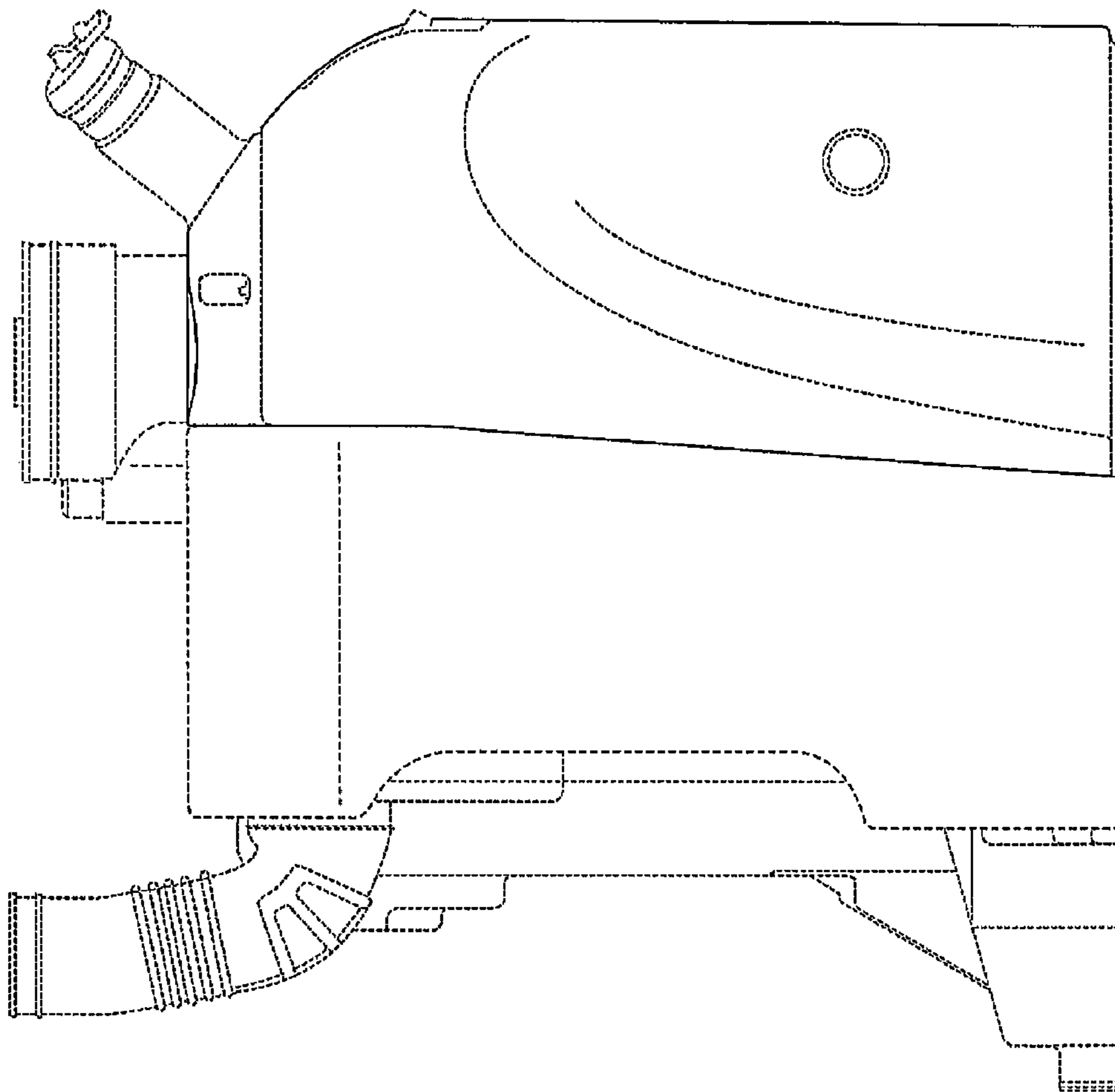
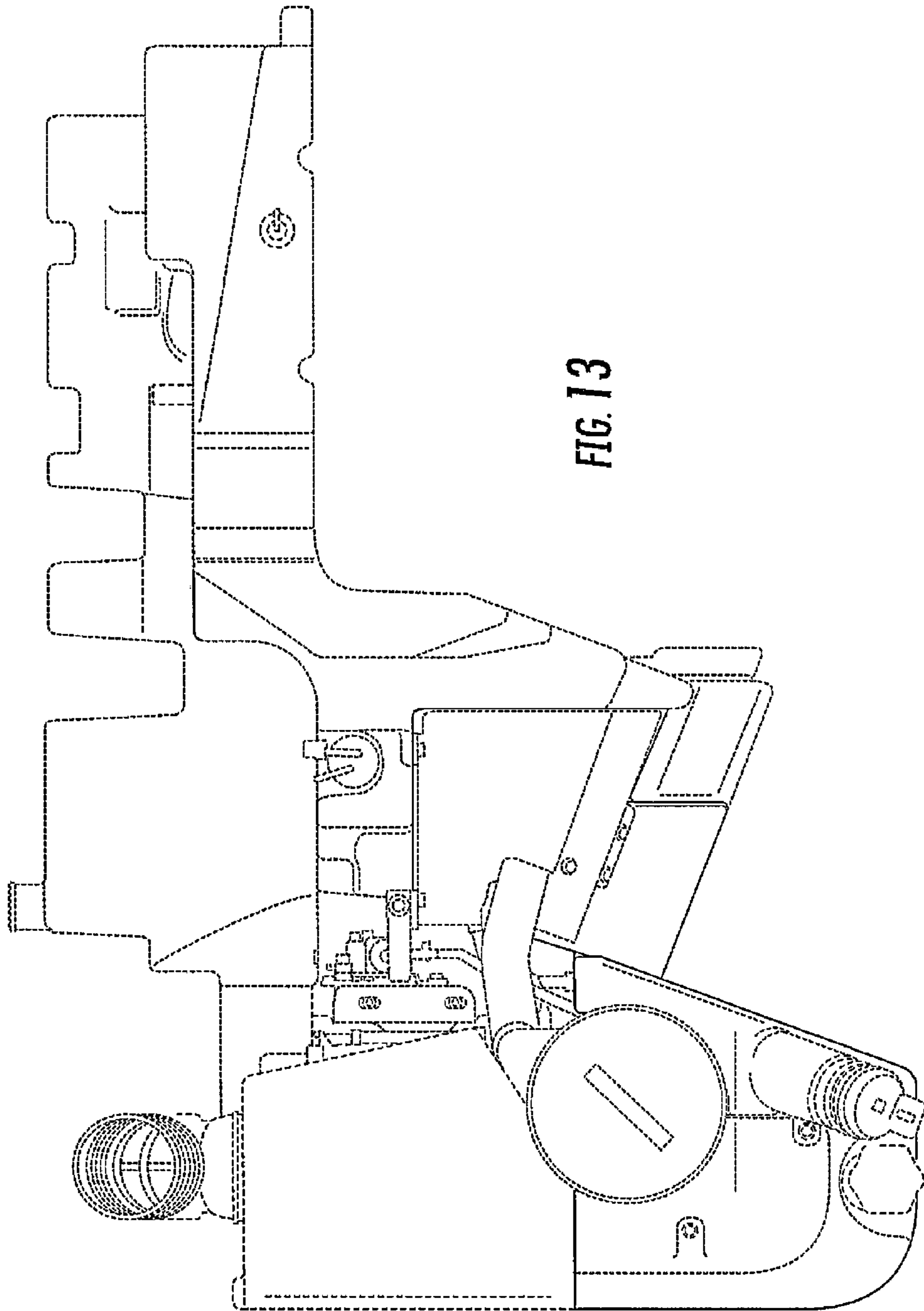


FIG. 12



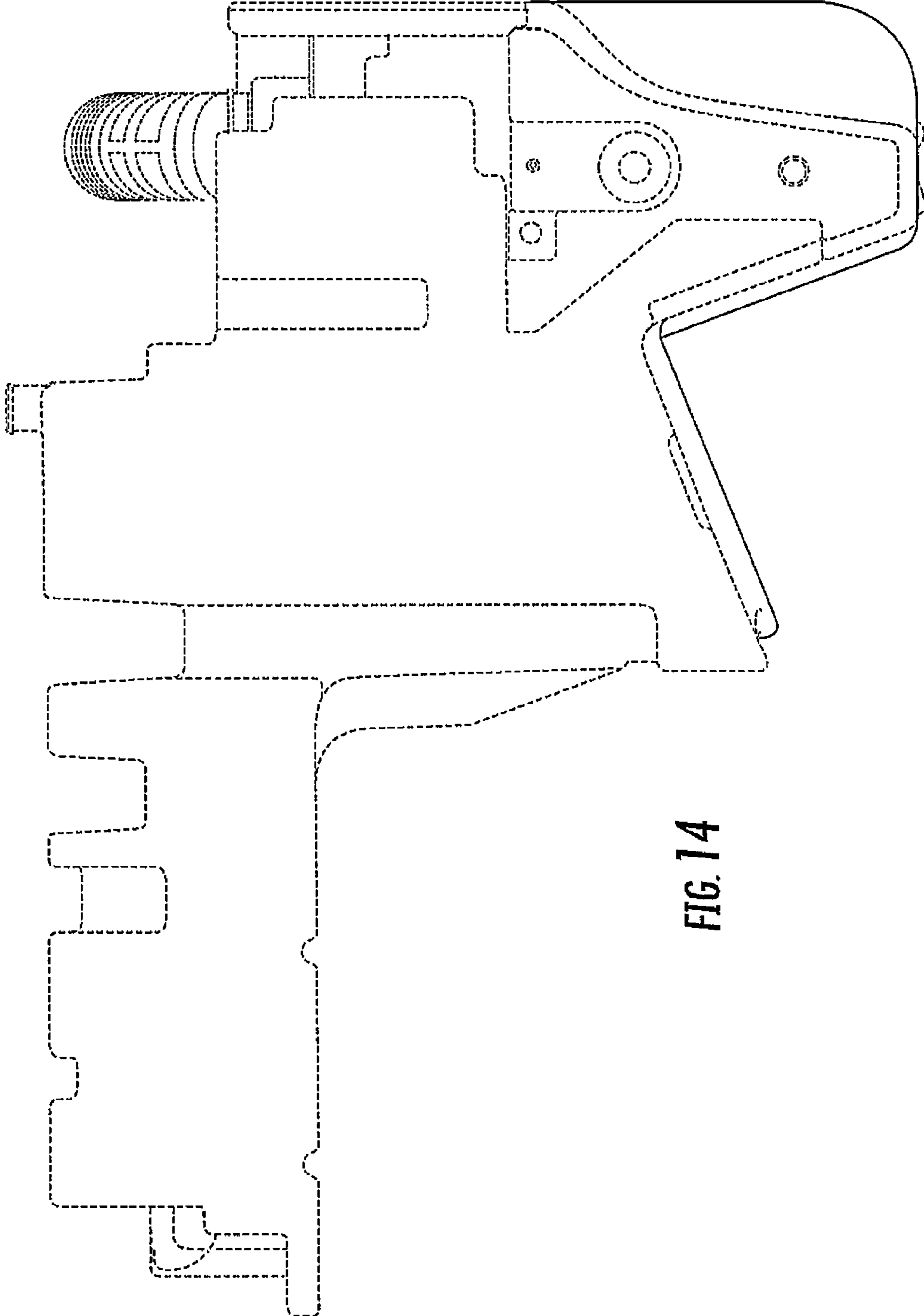


FIG. 14