

US00D728631S

(12) **United States Design Patent**  
**Richard et al.**

(10) **Patent No.:** **US D728,631 S**

(45) **Date of Patent:** **\*\* May 5, 2015**

(54) **WORK VEHICLE**

(71) Applicant: **CNH America LLC**, New Holland, PA (US)

(72) Inventors: **Aaron Richard**, Berwyn, IL (US);  
**Marcus J. Rachowicz**, Burlington, IA (US); **Eric Zieser**, Burlington, IA (US);  
**Robert J. Van der Linde**, Aurora, IL (US); **Russell Meyer**, Crystal Lake, IL (US); **Carl J. Hagele**, The Villages, FL (US)

(73) Assignee: **CNH Industrial America LLC**, New Holland, PA (US)

(\*\*) Term: **14 Years**

(21) Appl. No.: **29/461,565**

(22) Filed: **Jul. 24, 2013**

(51) **LOC (10) Cl.** ..... **12-09**

(52) **U.S. Cl.**  
USPC ..... **D15/25**

(58) **Field of Classification Search**  
USPC ..... D15/10, 22-26, 33; 37/403, 409, 442,  
37/443; 180/89.1, 89.12, 89.13; 414/685,  
414/694, 722, 724; 296/190.03  
See application file for complete search history.

(56) **References Cited**

U.S. PATENT DOCUMENTS

D251,845 S	5/1979	Joupperi et al.	
4,182,456 A *	1/1980	Paul	414/685
D273,384 S	4/1984	Nasu et al.	
D312,468 S	11/1990	Masumoto et al.	
D339,813 S	9/1993	Houkom	
5,265,995 A *	11/1993	Beck	414/694
D387,360 S	12/1997	Ishizaki et al.	
D406,151 S *	2/1999	Cunningham et al.	D15/25
D410,240 S	5/1999	Sasaki	
D416,266 S *	11/1999	Del Torchio	D15/25
D419,618 S	1/2000	Park	

D431,575 S	10/2000	Park	
D458,941 S	6/2002	Miyanishi et al.	
D473,571 S	4/2003	Kuwae et al.	
D518,071 S	3/2006	Gwak et al.	
D523,027 S *	6/2006	Yamashita et al.	D15/23
D527,027 S	8/2006	Smith et al.	
D529,932 S	10/2006	Yamashita	
D538,304 S	3/2007	Uemura	
D540,828 S *	4/2007	Johnson et al.	D15/25
D540,829 S	4/2007	Johnson et al.	
D590,422 S	4/2009	Joos et al.	
7,549,242 B2	6/2009	Schmeling et al.	
7,681,686 B1	3/2010	Klas et al.	
D614,205 S	4/2010	Kuwae et al.	
D628,599 S	12/2010	Major	
D629,017 S	12/2010	Major	
7,873,455 B2	1/2011	Arshad et al.	
D646,302 S	10/2011	Lanting et al.	
D646,306 S	10/2011	Bradley et al.	

\* cited by examiner

*Primary Examiner* — Mark Goodwin

(74) *Attorney, Agent, or Firm* — Patrick M. Sheldrake; Seyed V. Sharifi T.

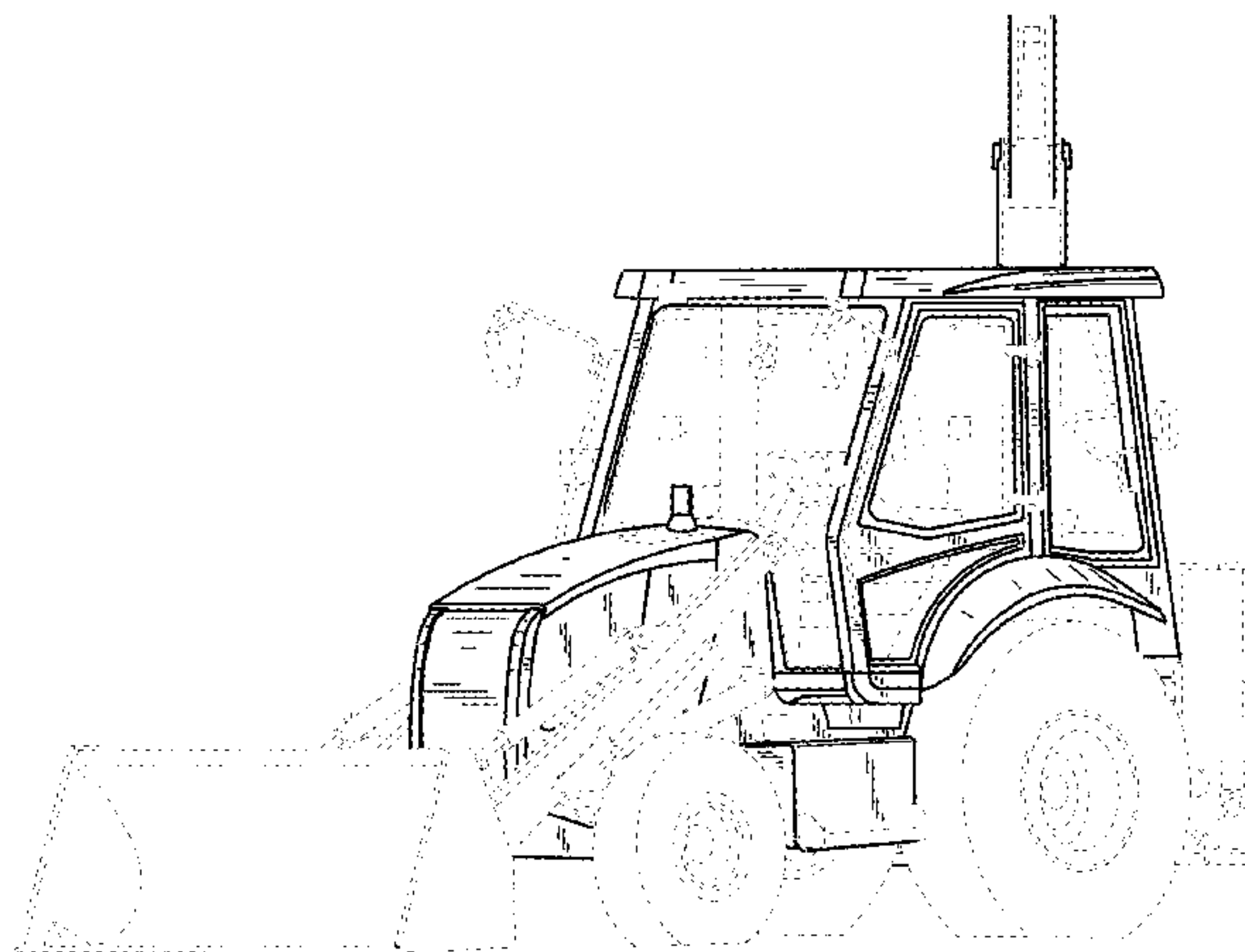
(57) **CLAIM**

We claim the ornamental design for the work vehicle, as shown and described.

**DESCRIPTION**

FIG. 1 is a front perspective view of a work vehicle showing our new design;  
FIG. 2 is another front perspective view thereof;  
FIG. 3 is a side perspective view thereof;  
FIG. 4 is a side view thereof;  
FIG. 5 is an opposite side view thereof;  
FIG. 6 is a rear view thereof;  
FIG. 7 is a top plan view thereof; and,  
FIG. 8 is a bottom plan view thereof.  
Only the shapes and portions bounded by solid lines form the claimed design. The elements depicted in dashed lines are shown for illustrative purpose of environment and form no part of the ornamental design.

**1 Claim, 8 Drawing Sheets**



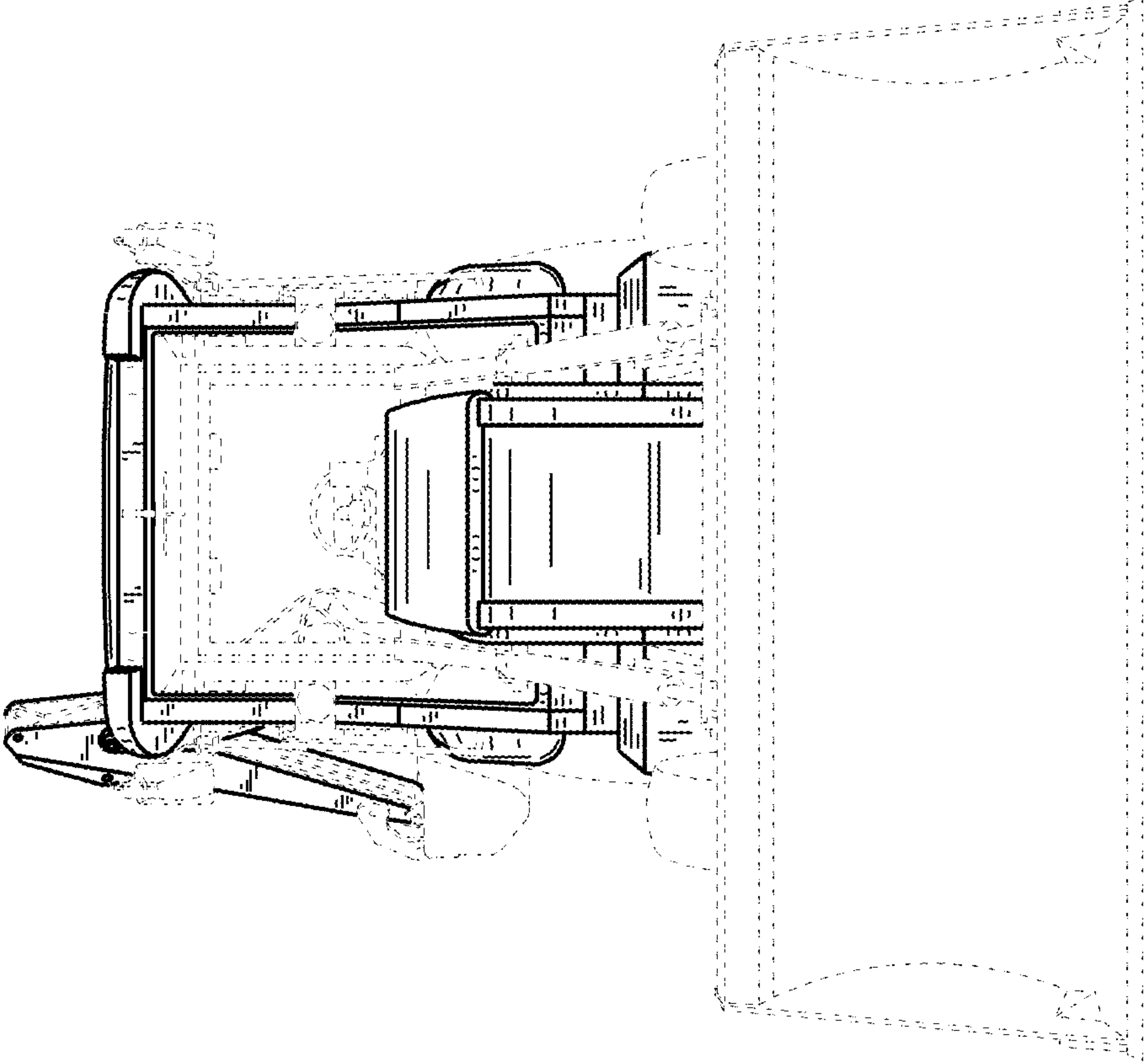


FIG. 1

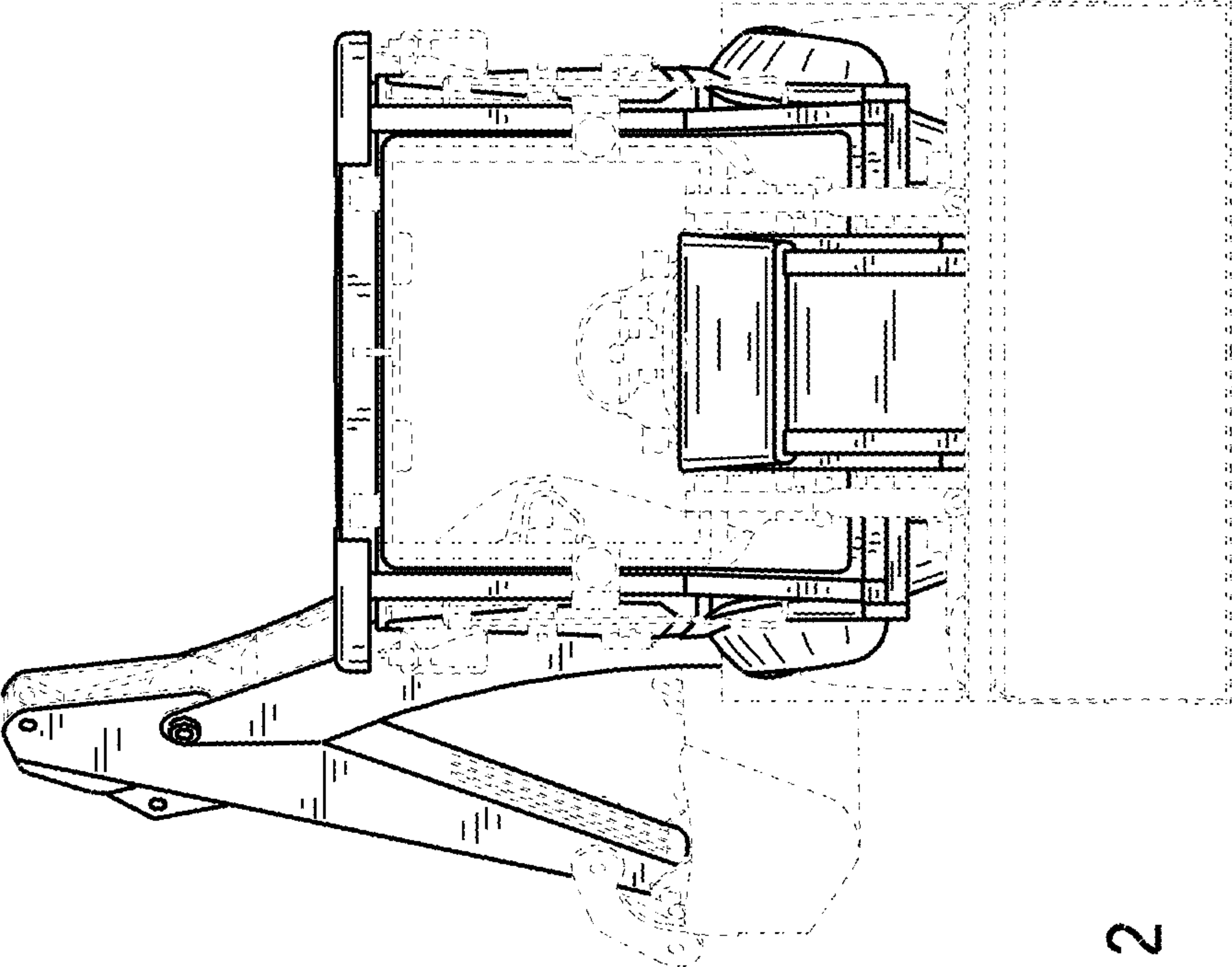


FIG. 2

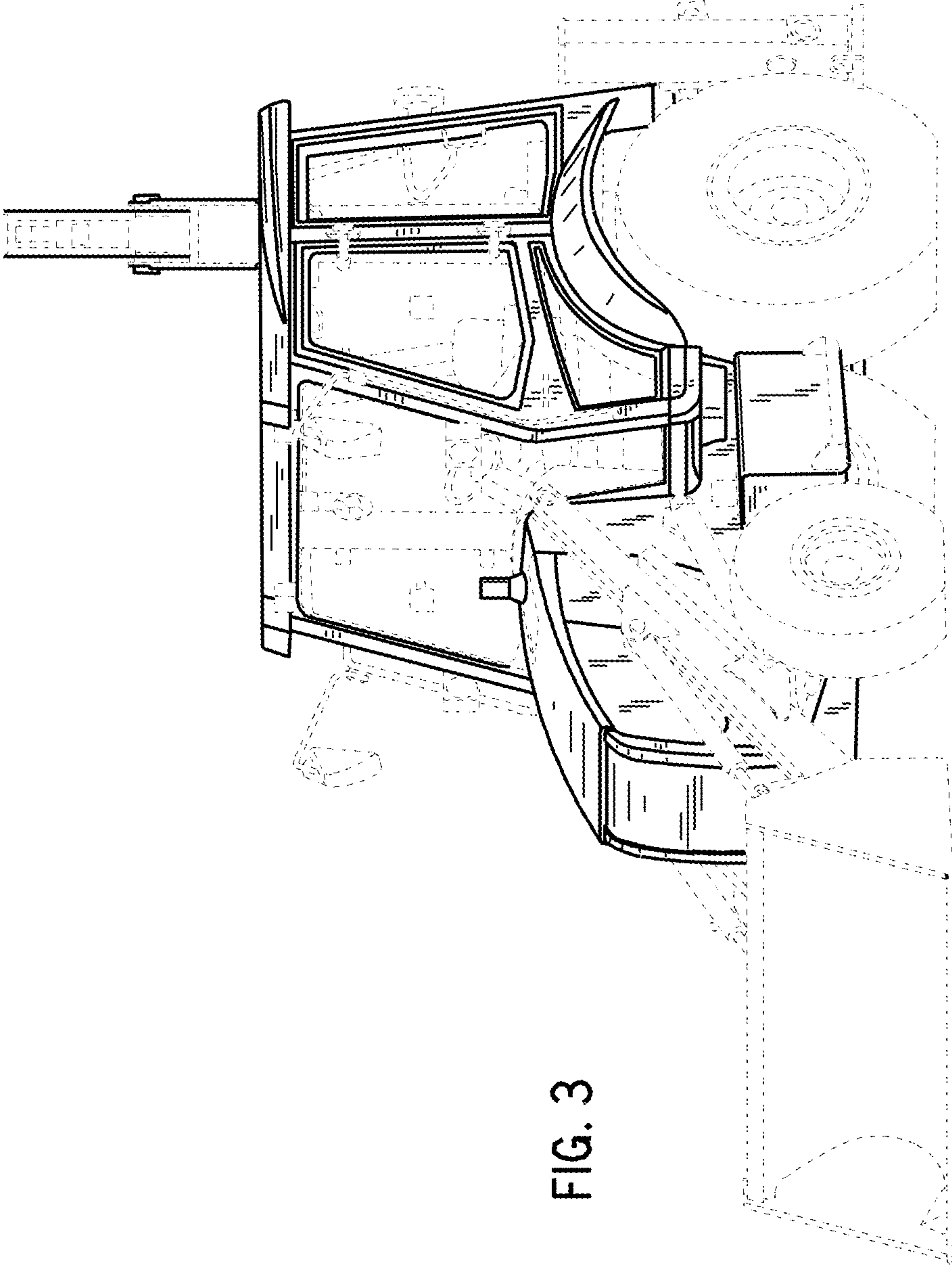


FIG. 3

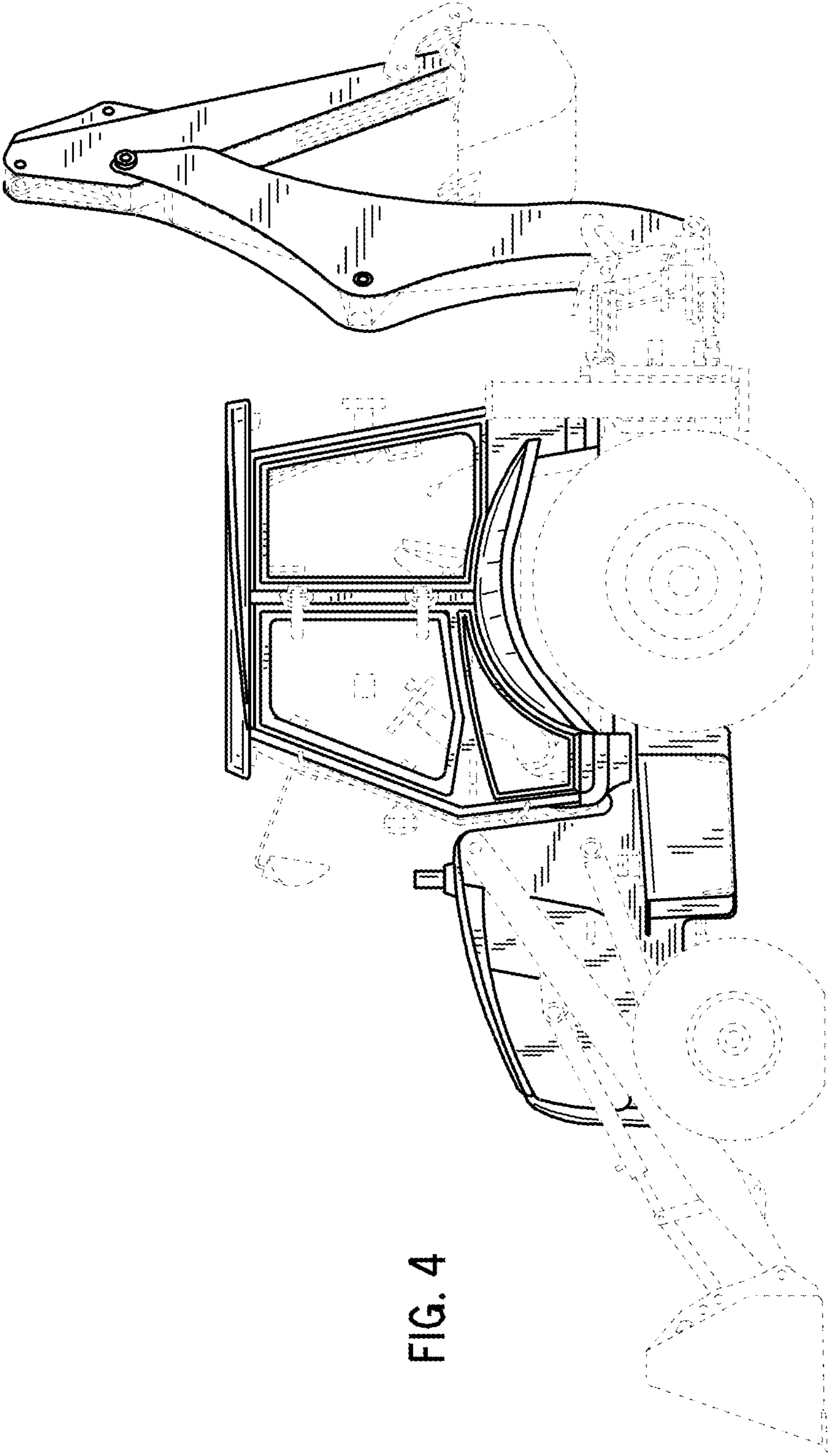
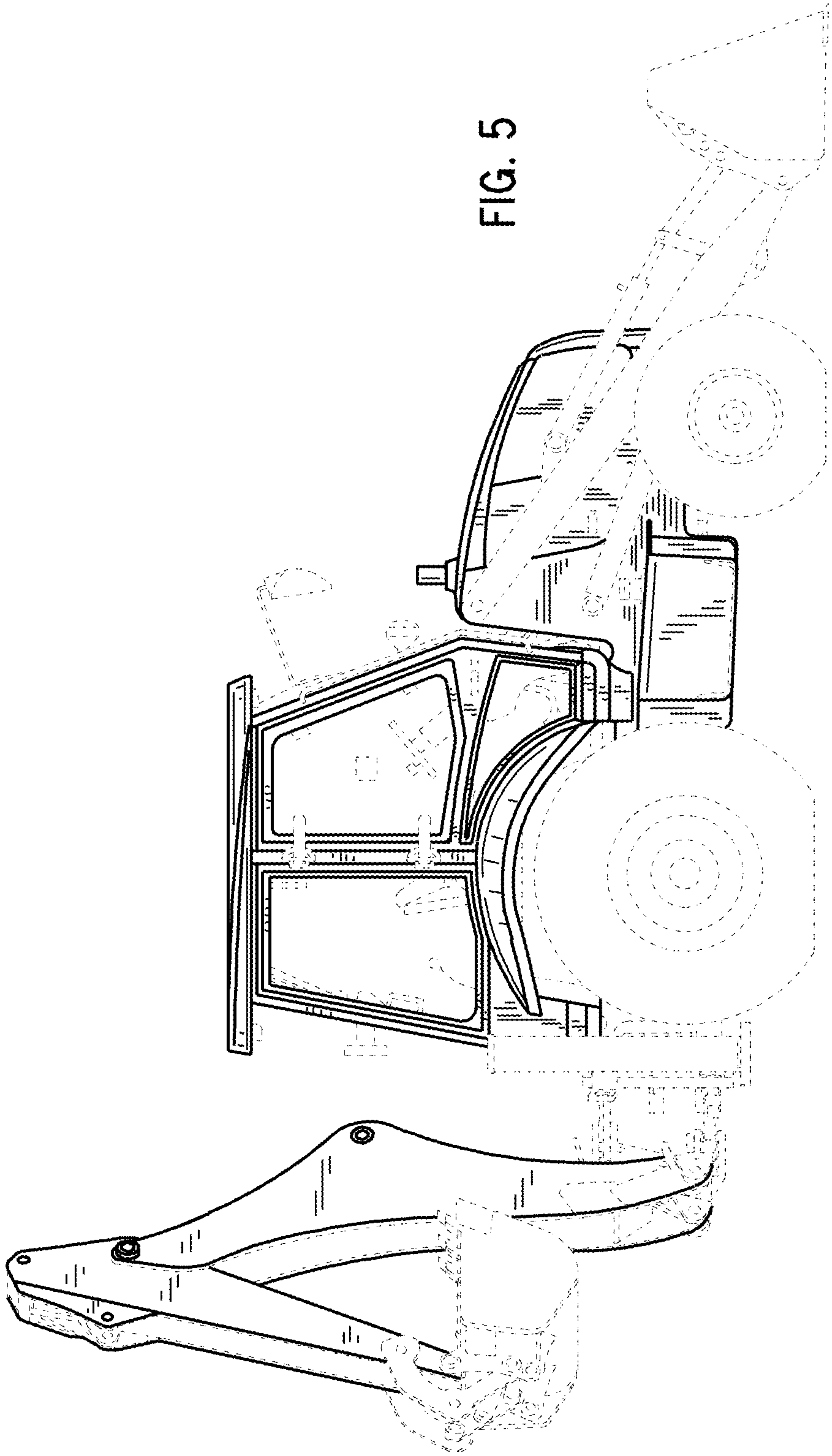


FIG. 4





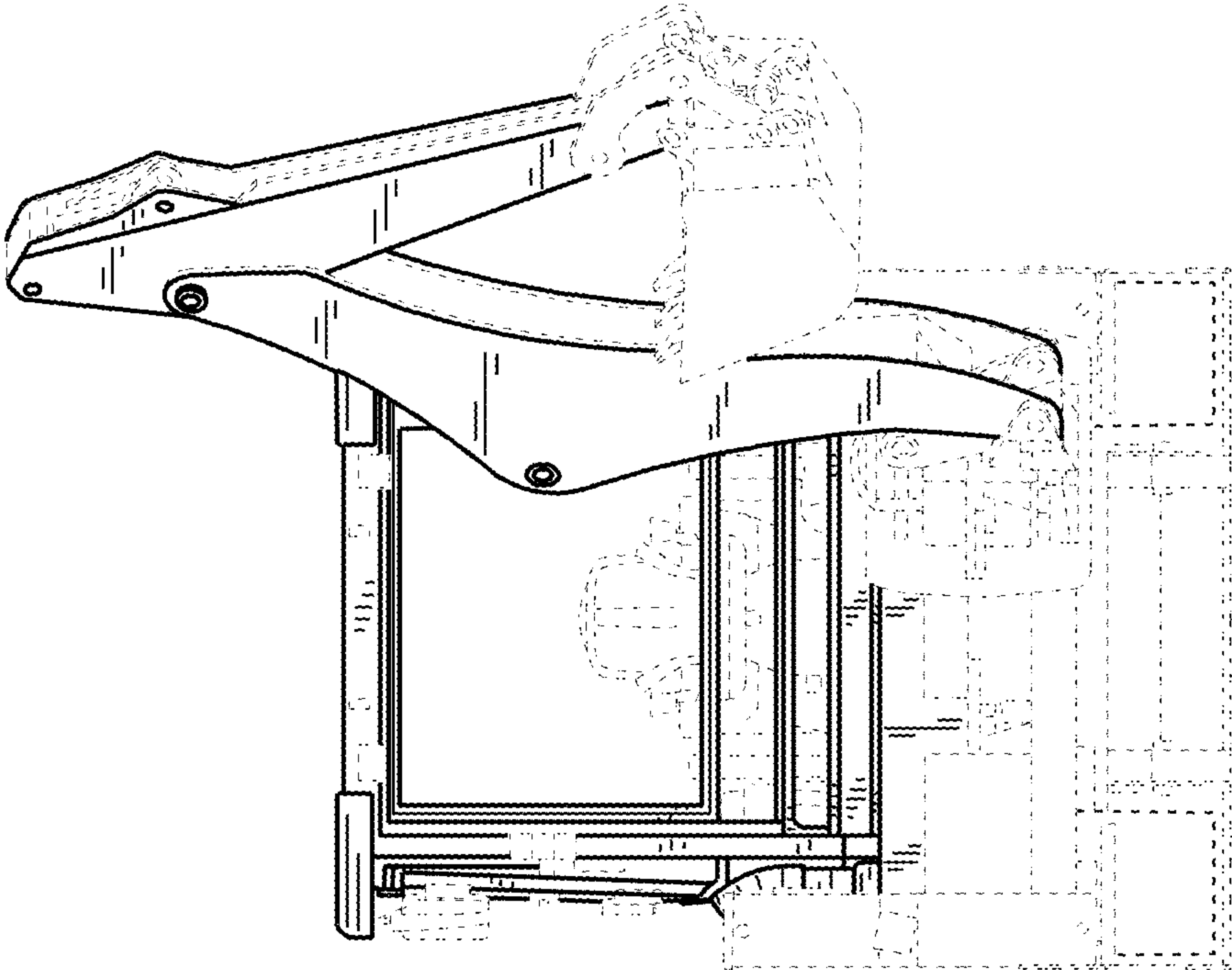


FIG. 6

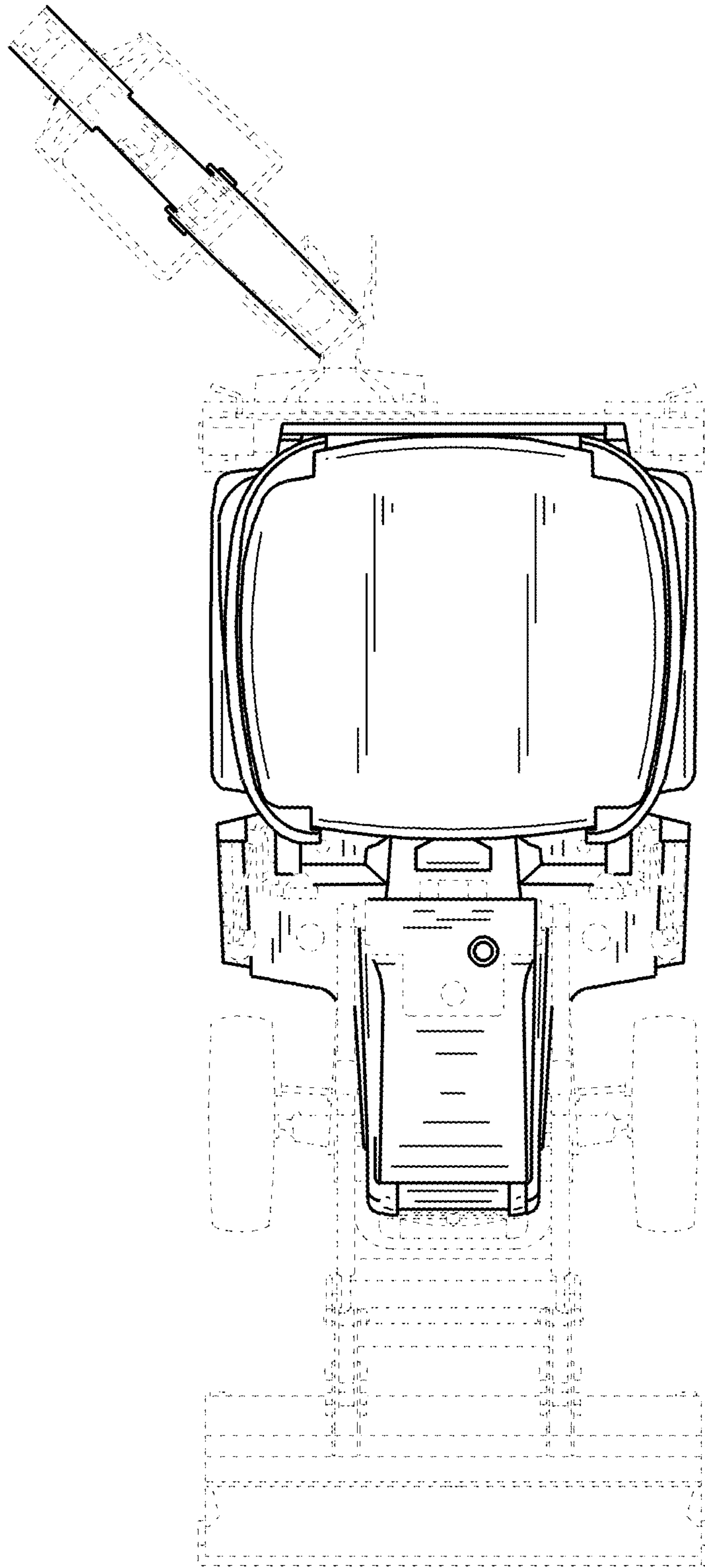


FIG. 7



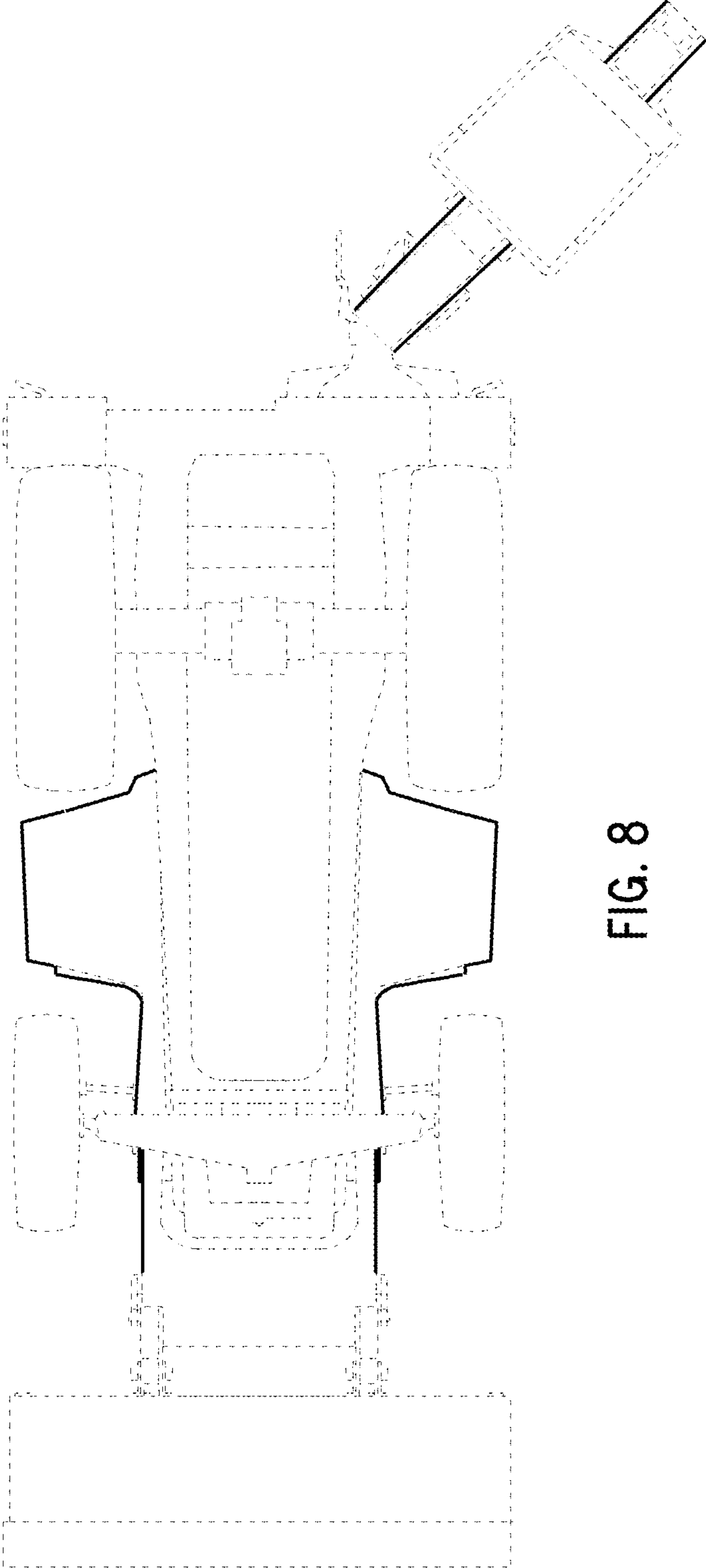


FIG. 8