



US00D728629S

(12) **United States Design Patent**  
**Loew**

(10) **Patent No.:** **US D728,629 S**  
(45) **Date of Patent:** **\*\* May 5, 2015**

(54) **REFUSE COMPACTOR**

D607,473 S 1/2010 Haubrich et al.  
D676,463 S \* 2/2013 Ewringmann et al. .... D15/20  
2006/0070533 A1\* 4/2006 Silcock et al. .... 100/100

(71) Applicant: **BOMAG GmbH**, Boppard (DE)

FOREIGN PATENT DOCUMENTS

(72) Inventor: **Roland Loew**, Klein-Winternheim (DE)

DE 94 13 270 U1 10/1994

(73) Assignee: **BOMAG GmbH**, Boppard (DE)

OTHER PUBLICATIONS

(\*\*) Term: **14 Years**

BOMAG GmbH, English Machine Translation of Brochure, Easy Maintenance, retrieved from <http://pdf.directindustry.com/pdf/bomag/bomag-bc-572-bc-672-bc-7...>, retrieved on Sep. 17, 2014 (2 pages).

(21) Appl. No.: **29/485,667**

Espacenet, English Machine Translation of Application No. DE9413270U1, Published on Oct. 6, 1994 retrieved from <http://worldwide.espacenet.com> on Sep. 19, 2014 (10 pages).

(22) Filed: **Mar. 21, 2014**

German Patent Office, English Machine Translation of Claim 1 for Application No. DE9413270U1, published on Oct. 6, 1994 (1 page).

(30) **Foreign Application Priority Data**

Sep. 26, 2013 (EM) ..... 002316125-0001

(Continued)

(51) **LOC (10) Cl.** ..... **15-03**

(52) **U.S. Cl.**  
USPC ..... **D15/20**

(58) **Field of Classification Search**  
USPC ..... D15/10, 22-28, 33, 20; 180/12, 20,  
180/89.12; 172/115; 404/121, 122, 124,  
404/125, 128, 129; 296/190.1, 190.01,  
296/190.08; 405/271  
See application file for complete search history.

*Primary Examiner* — Mark Goodwin

(74) *Attorney, Agent, or Firm* — Wood, Herron & Evans, LLP

(57) **CLAIM**

The ornamental design for a refuse compactor, as shown and described.

**DESCRIPTION**

(56) **References Cited**

U.S. PATENT DOCUMENTS

2,510,817 A \* 6/1950 Greiner et al. .... 404/125  
3,183,804 A \* 5/1965 Letourneau ..... 404/121  
3,450,013 A \* 6/1969 Peterson ..... 404/128  
3,866,781 A \* 2/1975 Stedman et al. .... 414/715  
D326,858 S \* 6/1992 Skeel et al. .... D15/25  
D516,094 S \* 2/2006 Dotsch et al. .... D15/20  
D540,352 S \* 4/2007 Sato et al. .... D15/25  
D549,738 S \* 8/2007 Hiraoka et al. .... D15/25  
D592,682 S 5/2009 Haubrich et al.

FIG. 1 is a left front perspective view of a refuse compactor showing my new design;

FIG. 2 is a front perspective view thereof;

FIG. 3 is a right side perspective view thereof;

FIG. 4 is a right rear perspective view thereof;

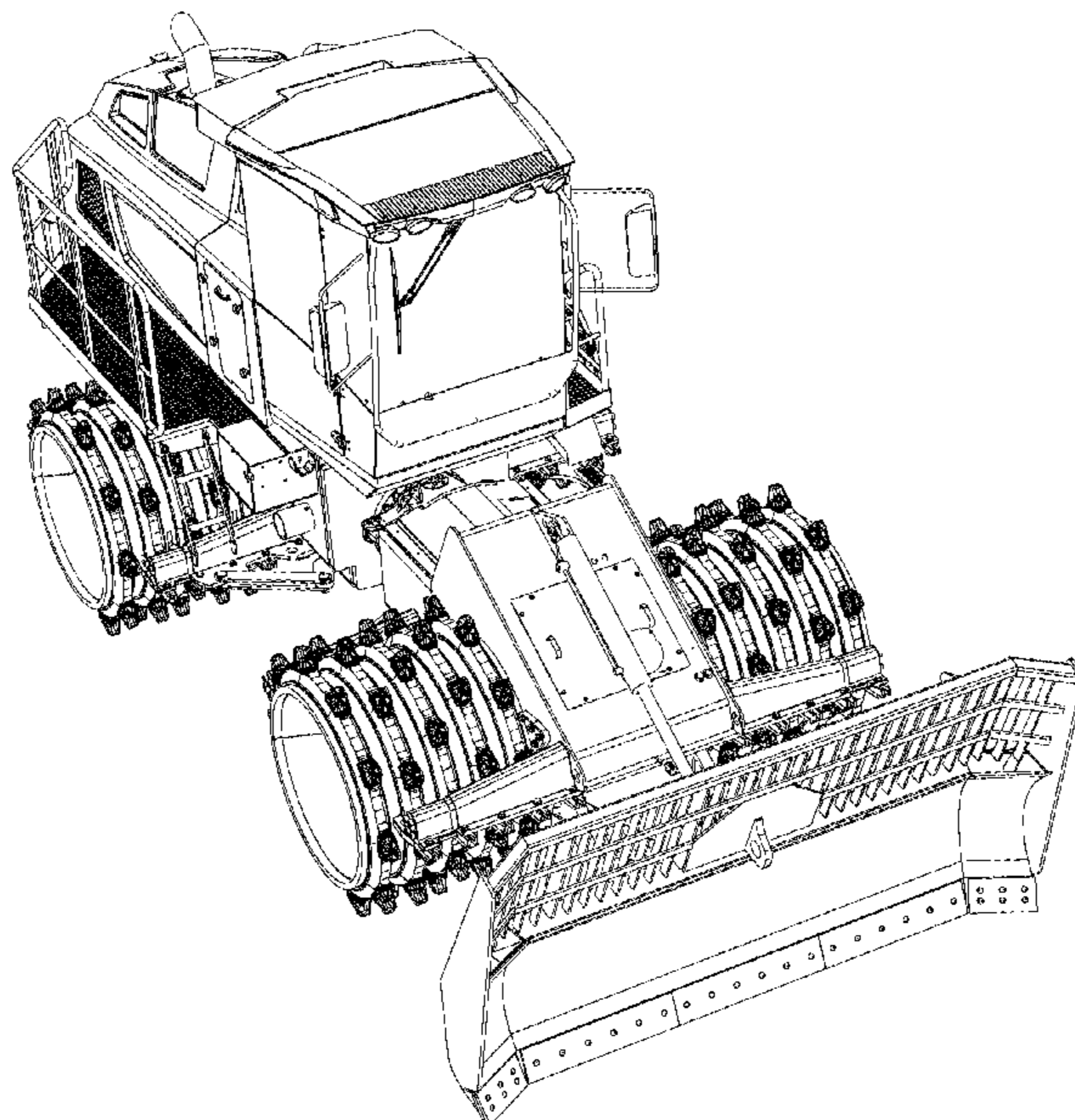
FIG. 5 is a rear perspective view thereof;

FIG. 6 is a left side perspective view thereof; and,

FIG. 7 is a top perspective view thereof.

The bottom view forms no part of the claimed design.

**1 Claim, 7 Drawing Sheets**



(56)

**References Cited**

OTHER PUBLICATIONS

OHIM—Office for Harmonization in the Internal Market Trade-marks and Designs, Certificate of Registration issued for European Community Design No. 000638317-0001, dated Dec. 15, 2006 (5 pages).

OHIM—Office for Harmonization in the Internal Market Trade-marks and Designs, Certificate of Registration issued for European Community Design No. 000638317-0002, dated Dec. 15, 2006 (5 pages).

\* cited by examiner

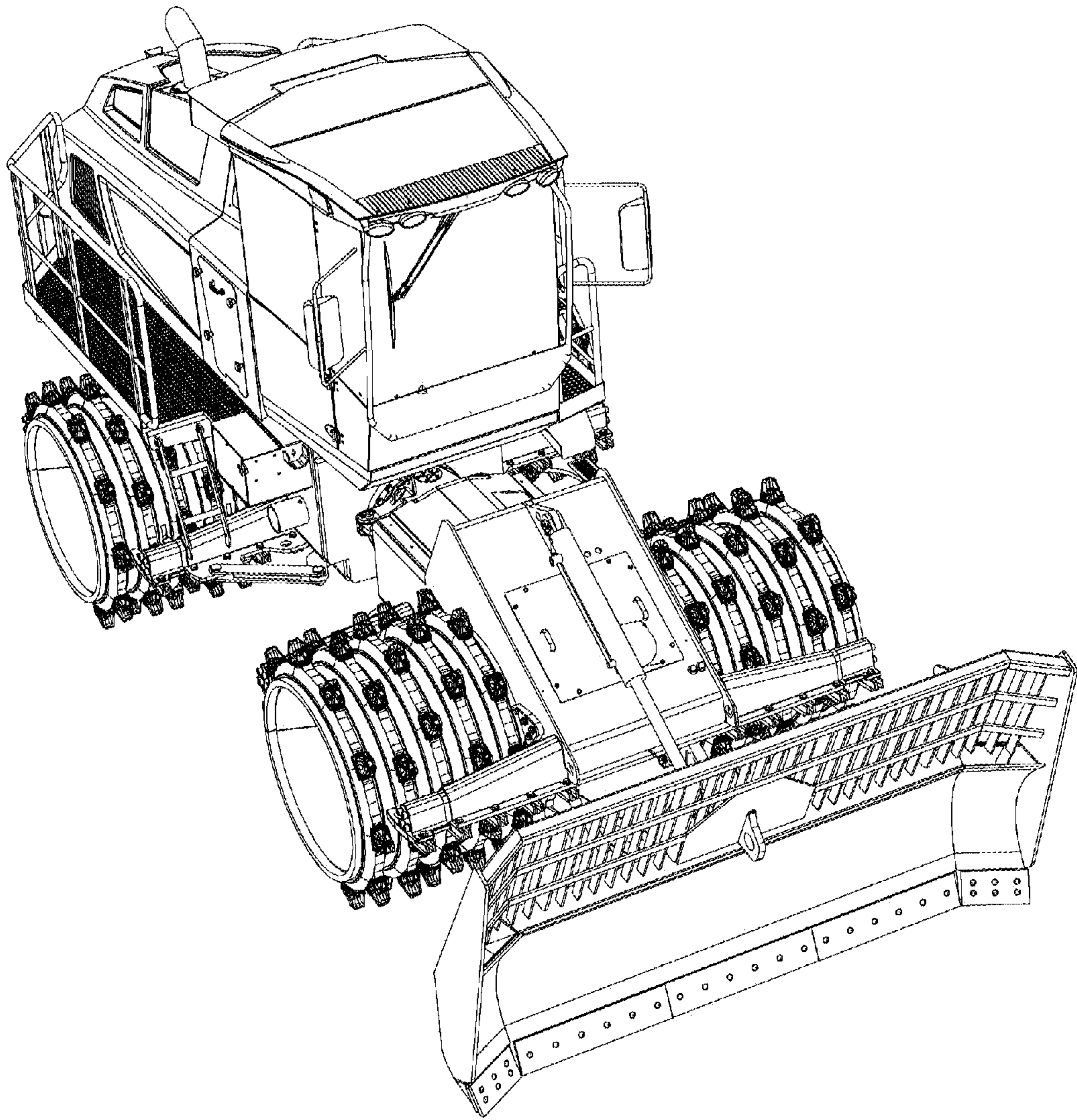


FIG. 1



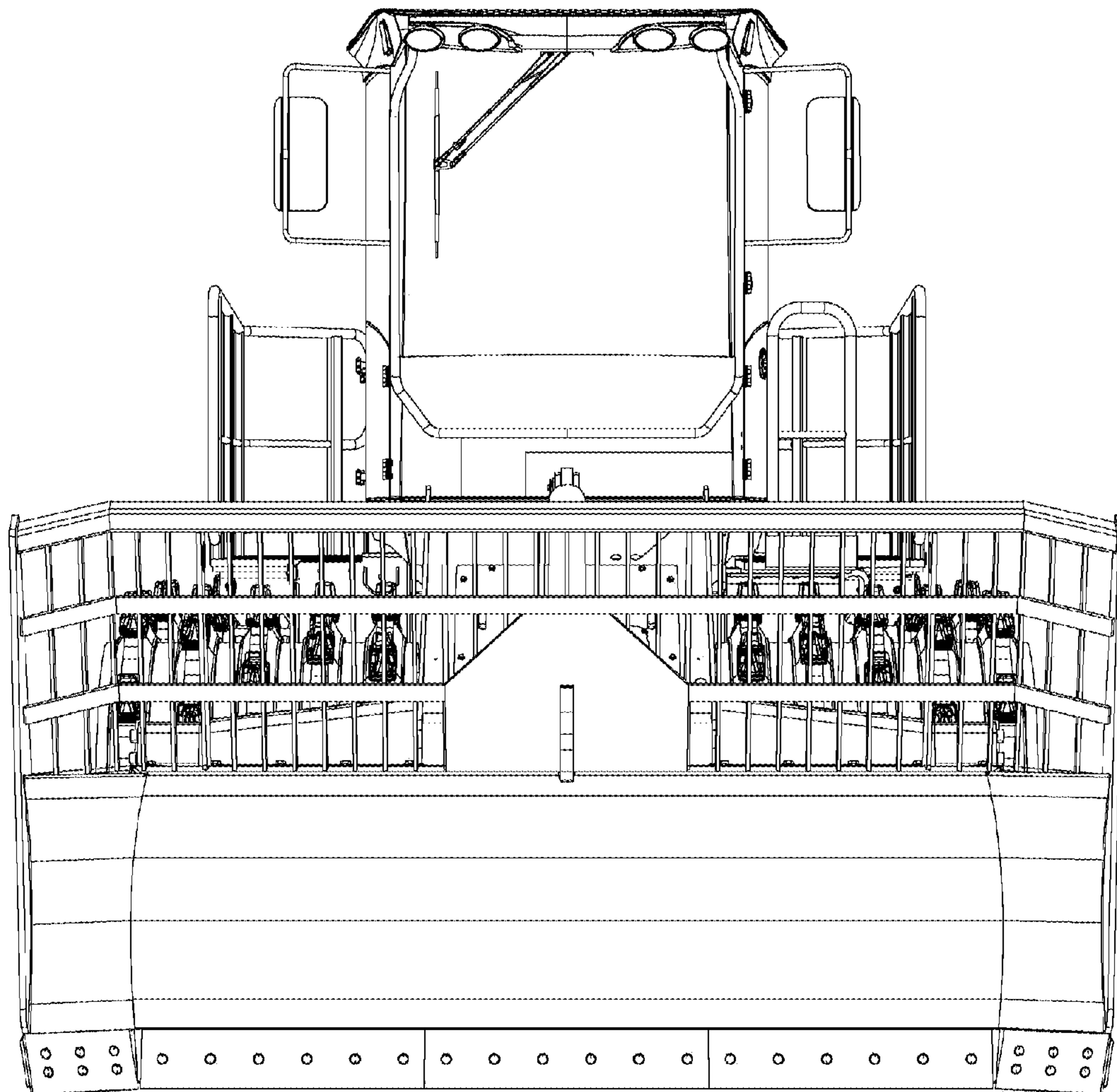


FIG. 2

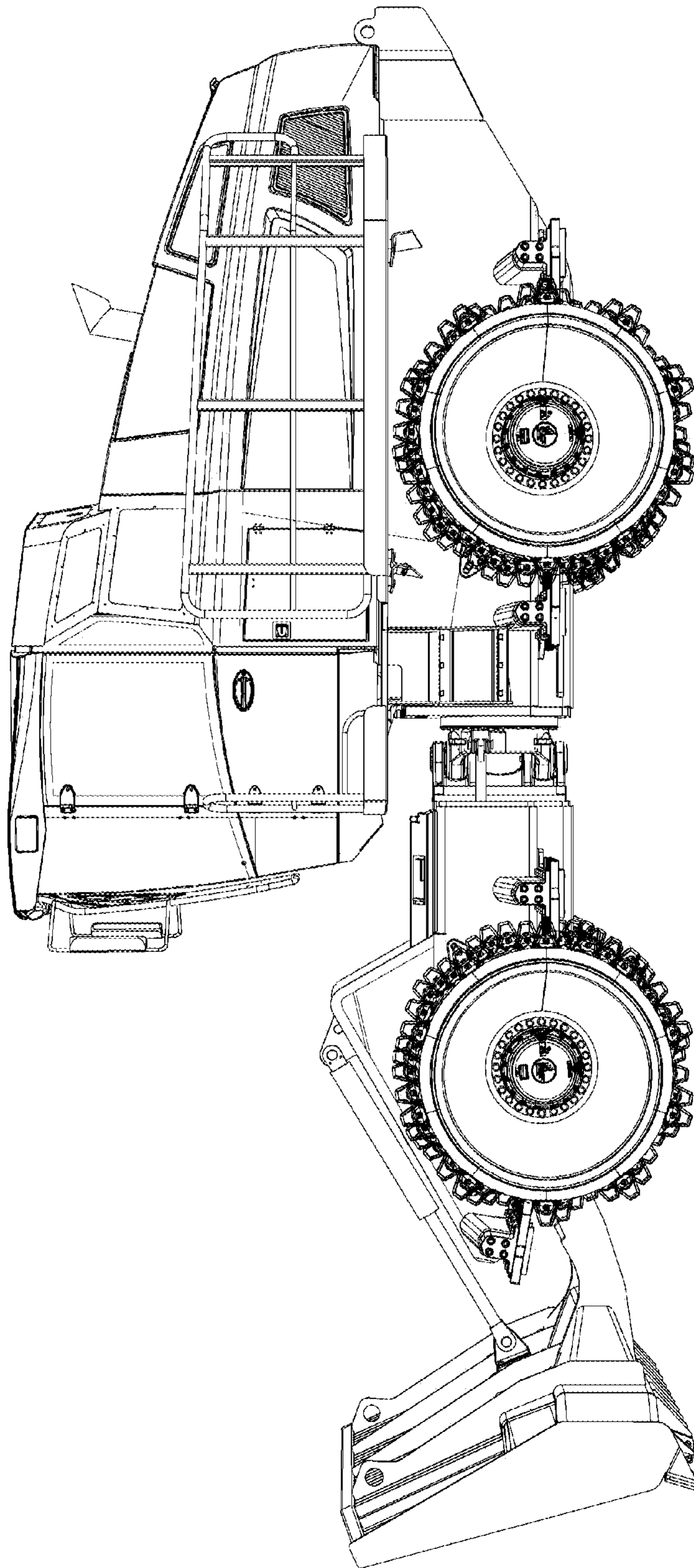


FIG. 3



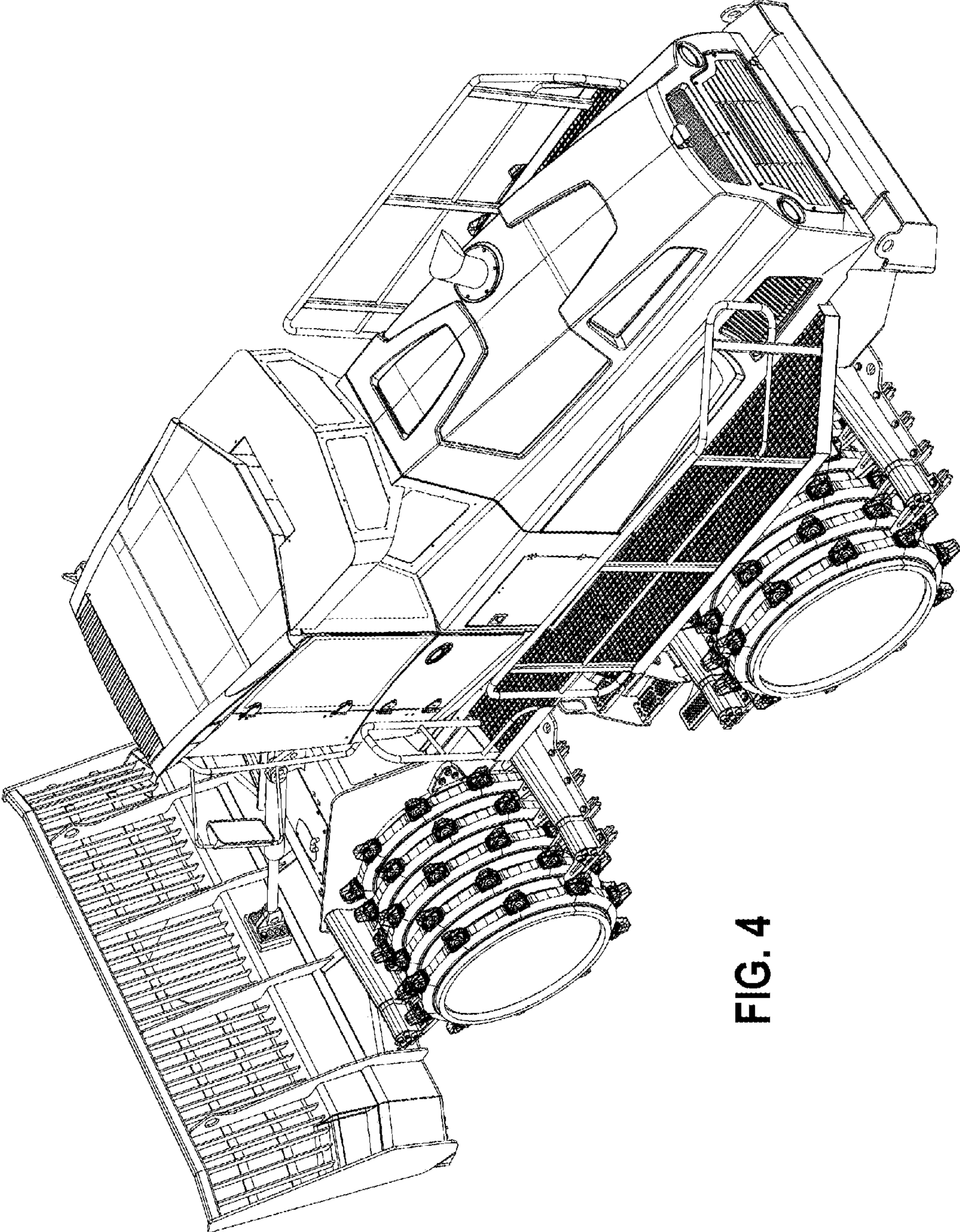


FIG. 4

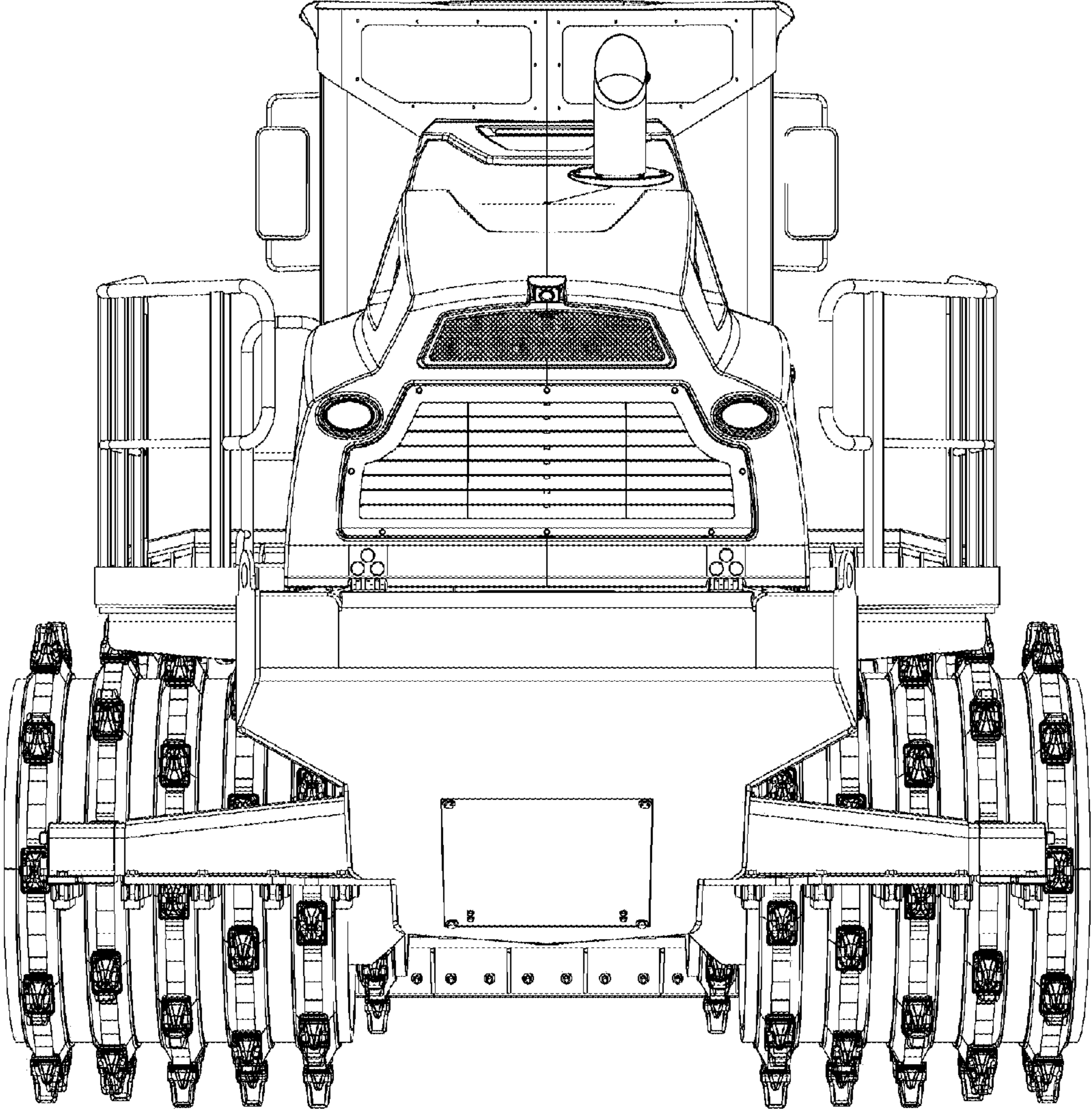


FIG. 5



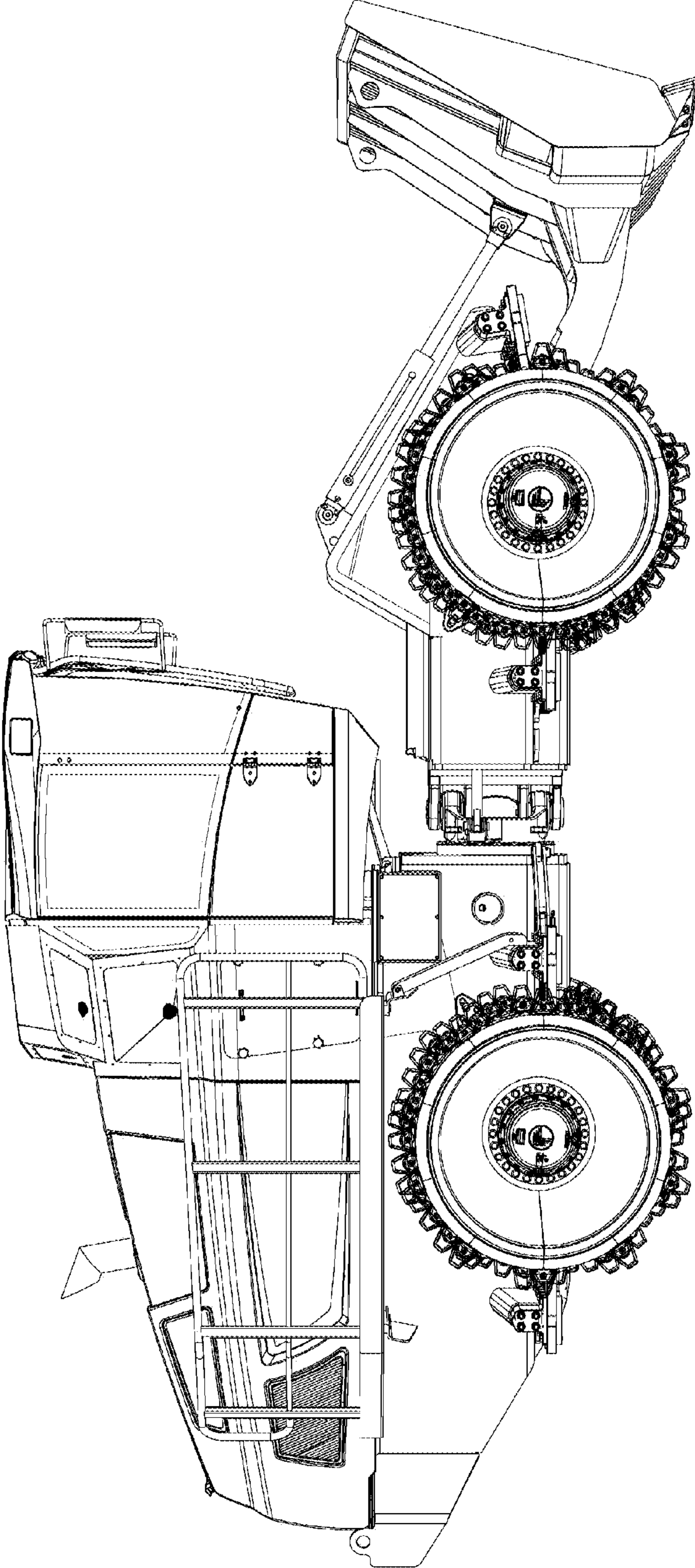


FIG. 6



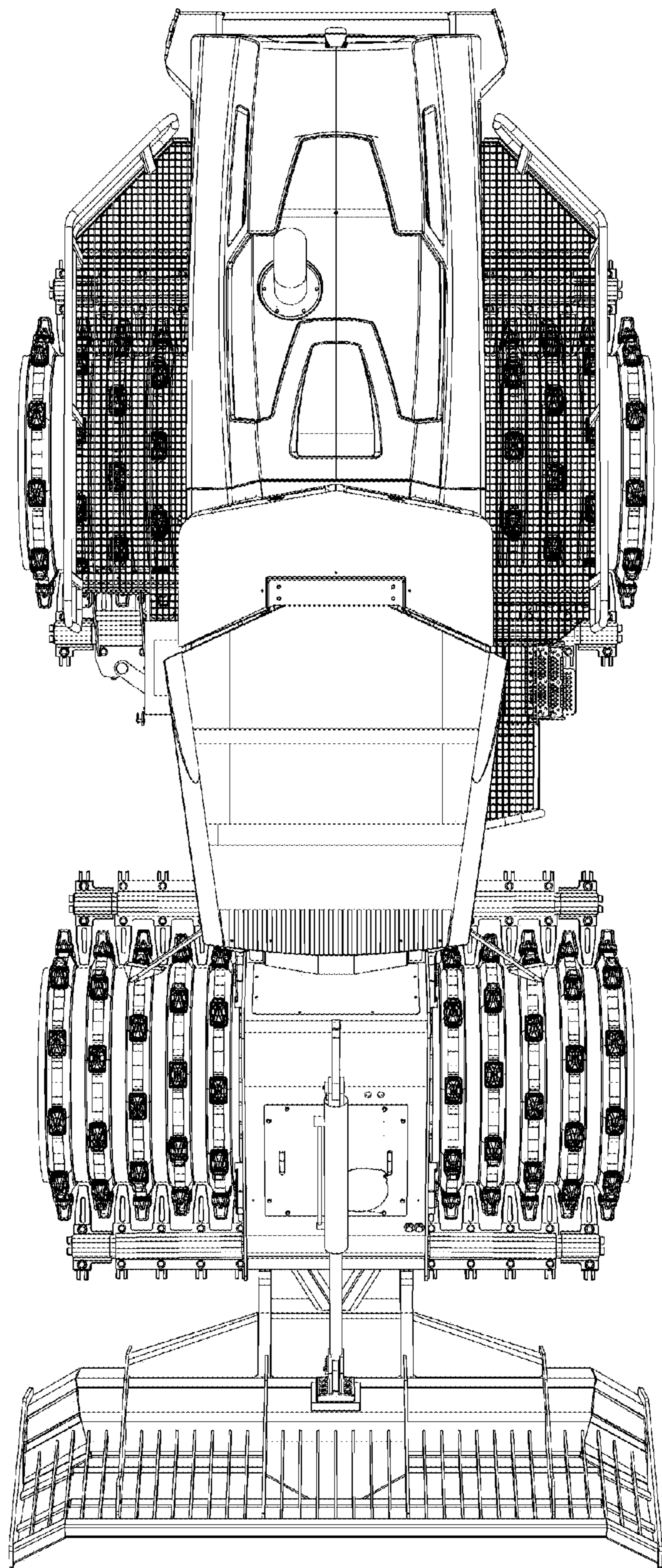


FIG. 7