



US00D728628S

(12) **United States Design Patent**  
**Wadesly et al.**

(10) **Patent No.:** **US D728,628 S**

(45) **Date of Patent:** **\*\* May 5, 2015**

(54) **FLUID WORKING MACHINE**

(56) **References Cited**

(71) Applicants: **Danfoss Power Solutions ApS**,  
Nordborg (DK); **Artemis Intelligent**  
**Power Ltd.**, Loanhead, Midlothian (GB)

U.S. PATENT DOCUMENTS

2,255,852	A *	9/1941	Lundin	417/273
4,357,955	A *	11/1982	Sauer	137/270
6,505,645	B1 *	1/2003	Pack et al.	137/596.13
6,609,899	B1 *	8/2003	Finnamore	417/360
6,964,281	B2 *	11/2005	Pieper	137/596.12
7,270,046	B2 *	9/2007	Stephenson et al.	91/454
D660,321	S *	5/2012	Hsiao	D15/7
D660,322	S *	5/2012	Hsiao	D15/7
8,905,732	B2 *	12/2014	Kuttler et al.	417/505

(72) Inventors: **Luke Wadesly**, Ames, IA (US); **Alexis**  
**Dole**, Pinneberg (DE); **Uwe Stein**,  
Edinburgh (GB); **Stephen Laird**,  
Edinburgh (GB)

\* cited by examiner

(73) Assignee: **Danfoss Power Solutions ApS**,  
Nordborg (DK)

*Primary Examiner* — Ralf Seifert

(\*\*) Term: **14 Years**

(74) *Attorney, Agent, or Firm* — McCormick, Paulding &  
Huber LLP

(21) Appl. No.: **29/480,777**

(57) **CLAIM**

The ornamental design for a fluid working machine, substan-  
tially as shown.

(22) Filed: **Jan. 29, 2014**

**DESCRIPTION**

(51) **LOC (10) Cl.** ..... **15-02**

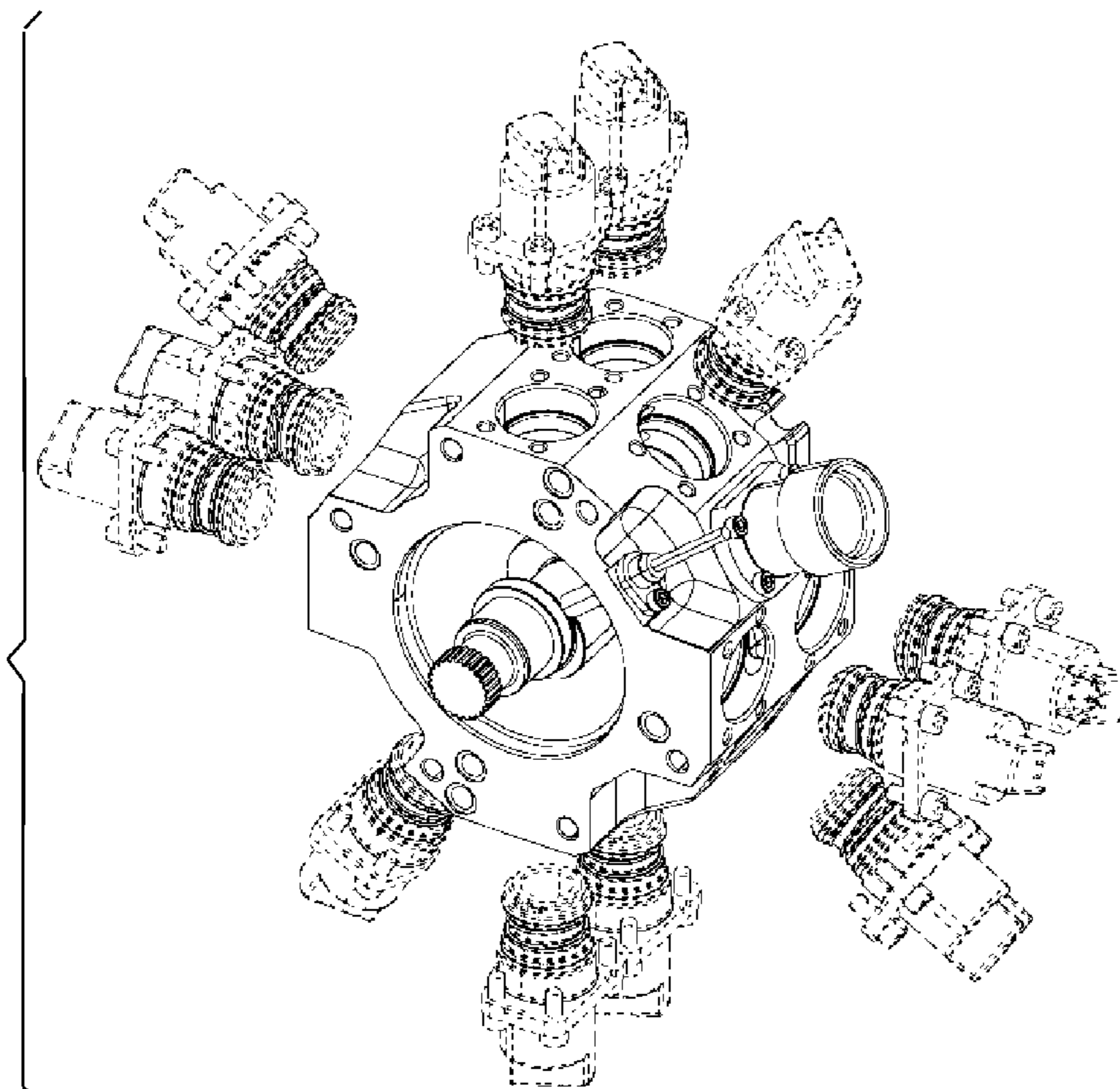
(52) **U.S. Cl.**  
USPC ..... **D15/7**

(58) **Field of Classification Search**  
CPC ..... F02M 37/04; F02M 37/14; F15B 13/04  
USPC ..... D15/7-9; D23/231, 232, 225; 417/60,  
417/235, 265, 321, 355, 358, 363, 359,  
417/410.1, 415-416, 405, 900; 60/408,  
60/412; 184/26-37; 415/140-147, 505;  
123/495, 509; 137/565.34; 91/454;  
92/140

FIG. 1 is a front view of a fluid working machine comprising  
a new, original and ornamental design;  
FIG. 2 is a right-hand side view thereof;  
FIG. 3 is a rear view thereof;  
FIG. 4 is a left-hand side view thereof;  
FIG. 5 is a front, right-hand side, top perspective view  
thereof; and,  
FIG. 6 is a left-hand side, front, top perspective view thereof.  
The broken line portion of the figure drawings is included to  
show unclaimed subject matter only and forms no part of the  
claimed design.

See application file for complete search history.

**1 Claim, 6 Drawing Sheets**



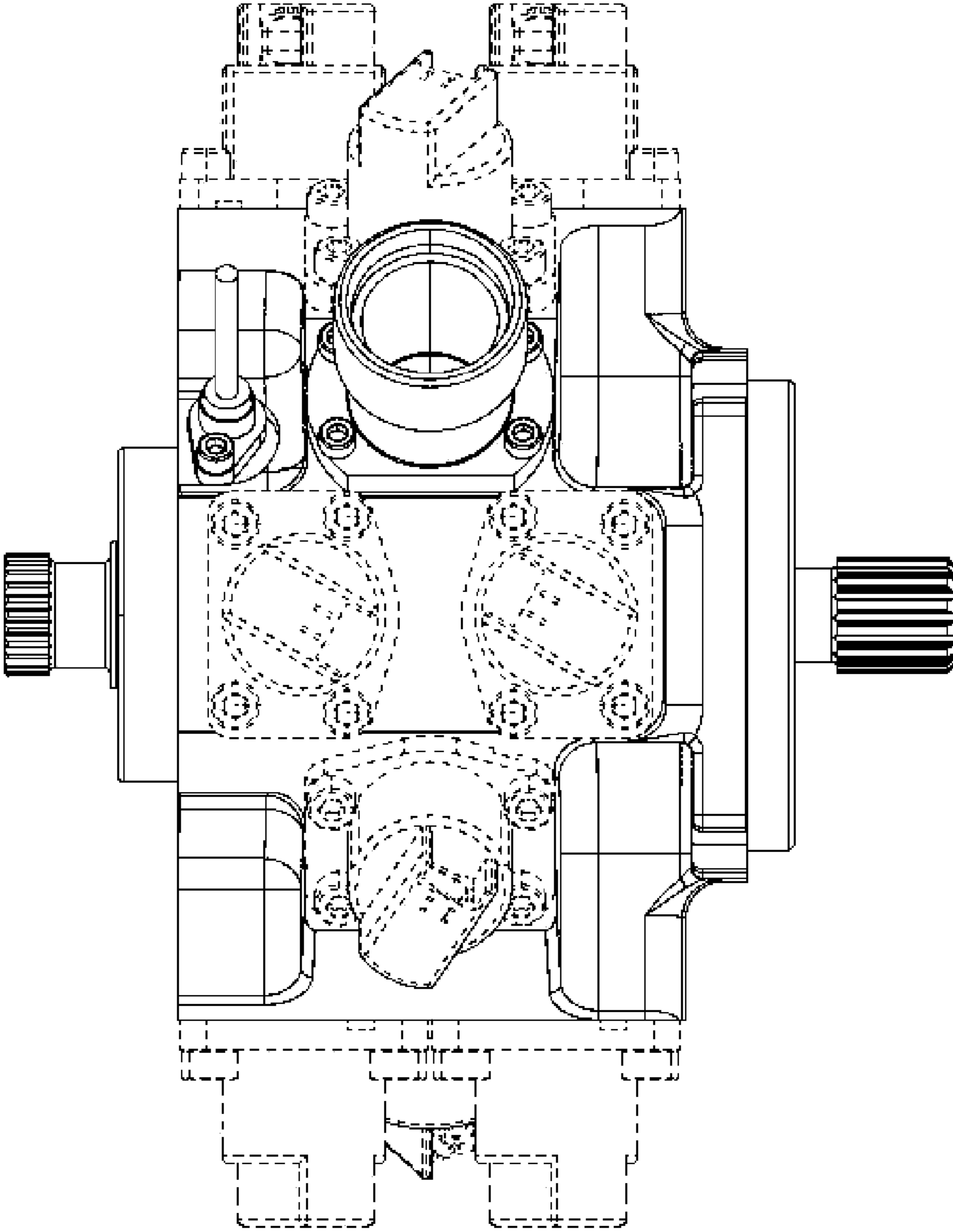


FIG. 1

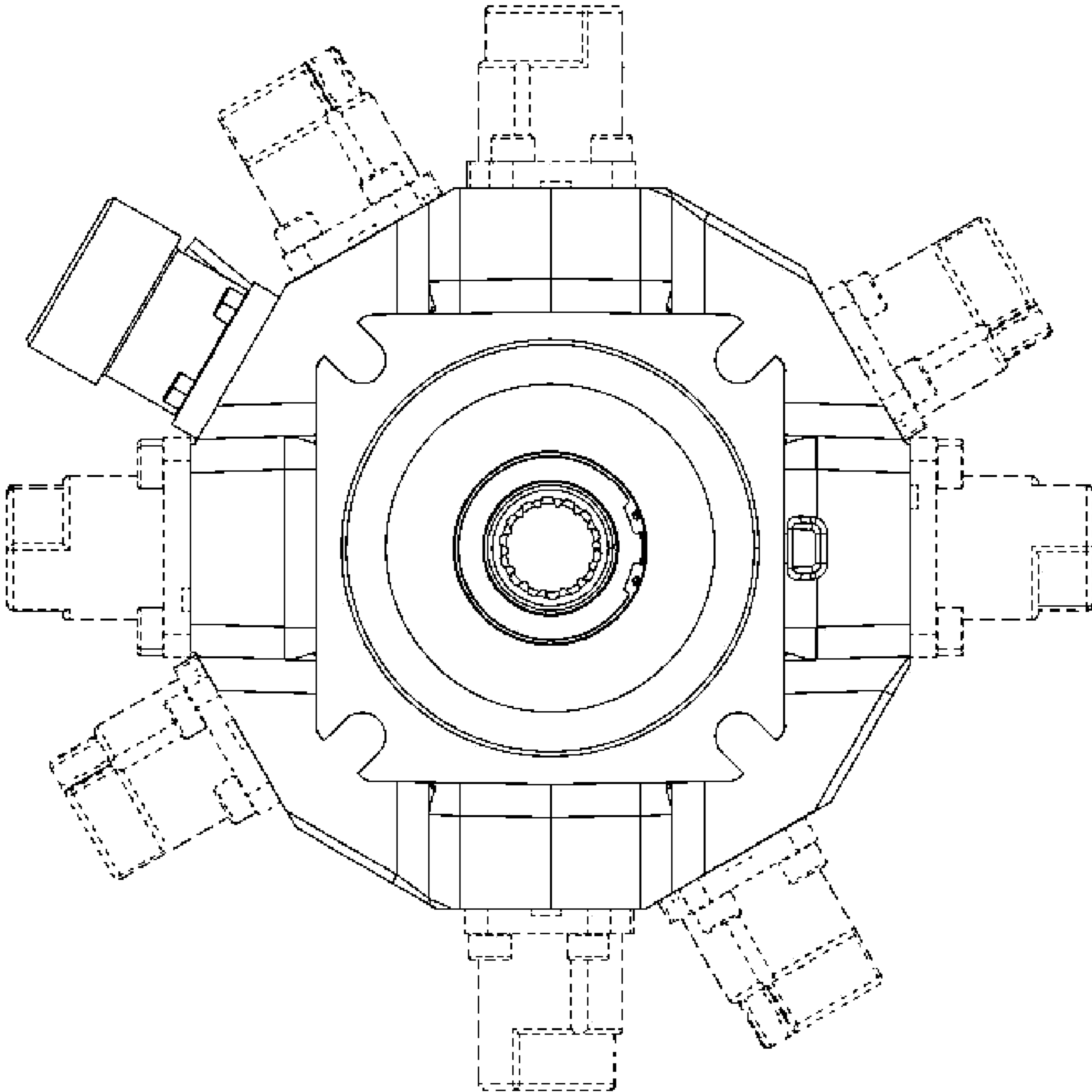


FIG. 2

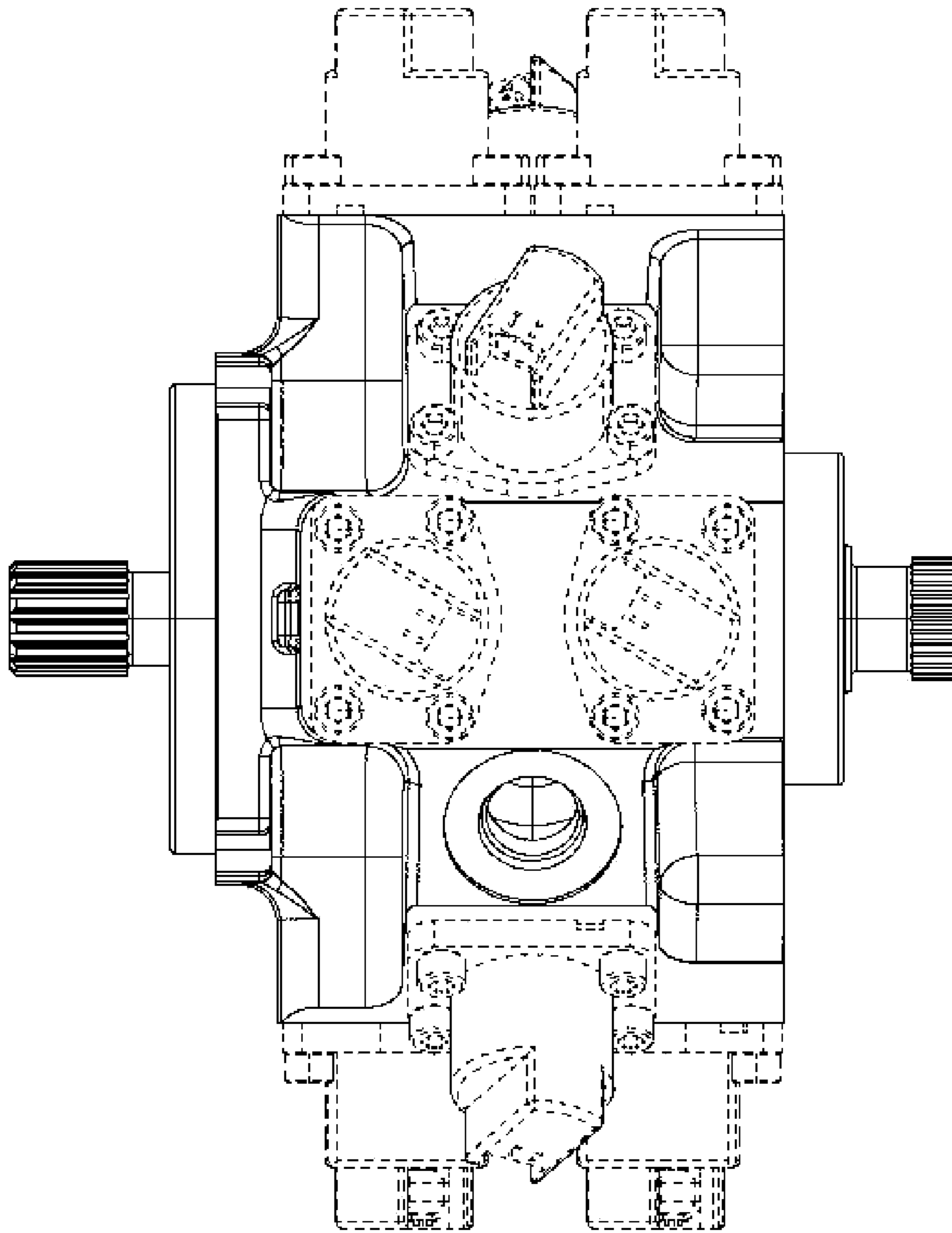


FIG. 3

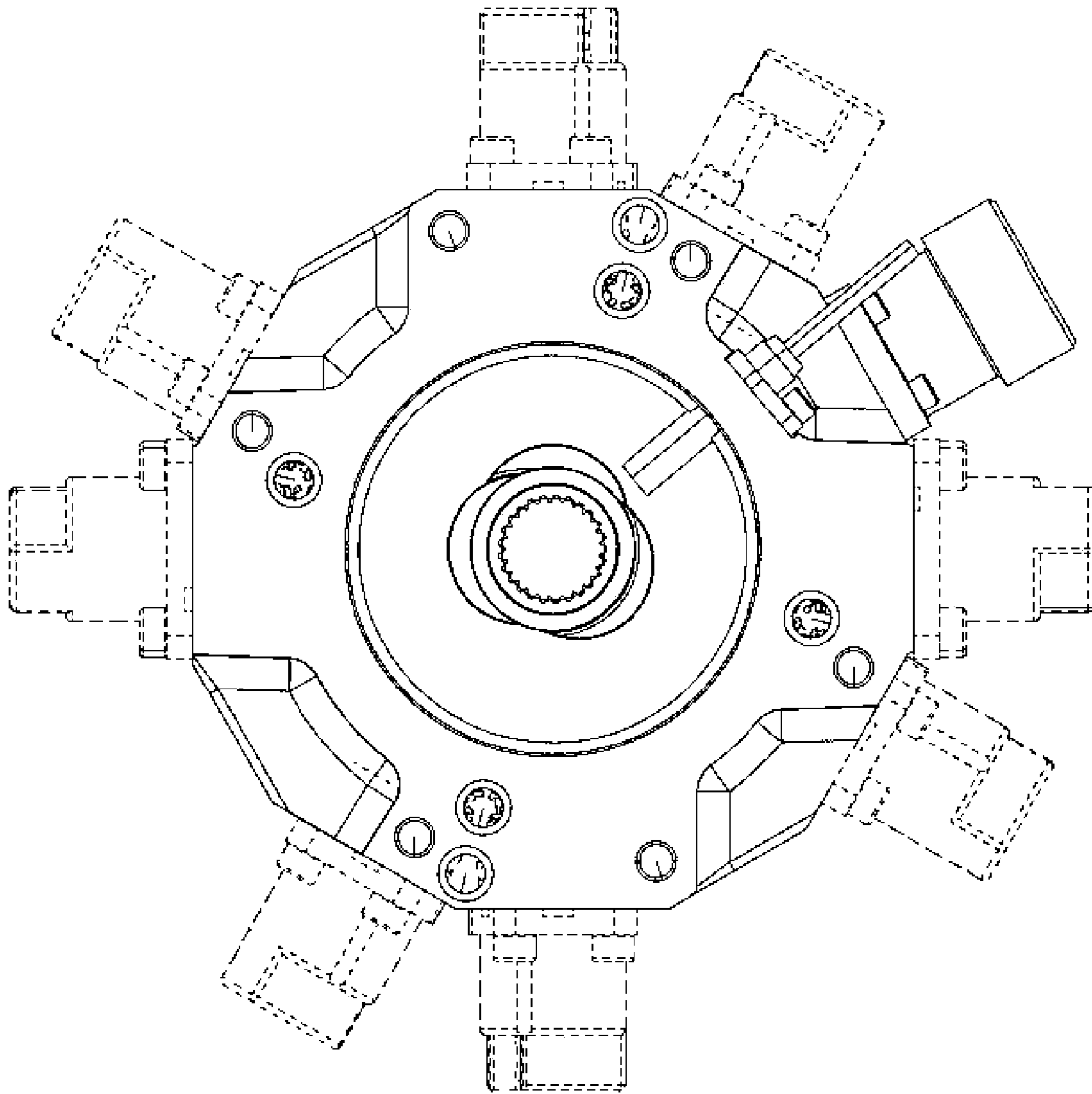


FIG. 4

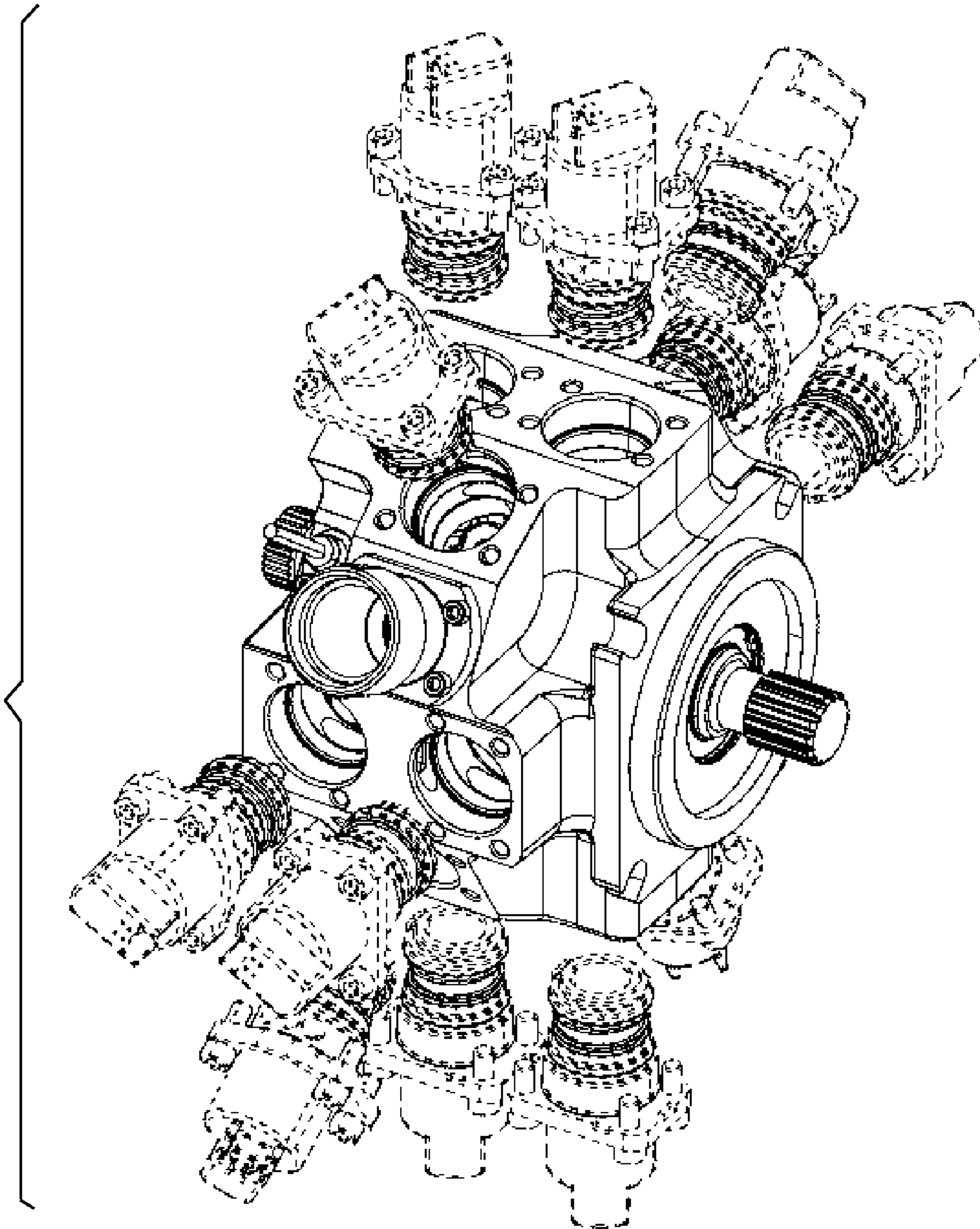


FIG. 5

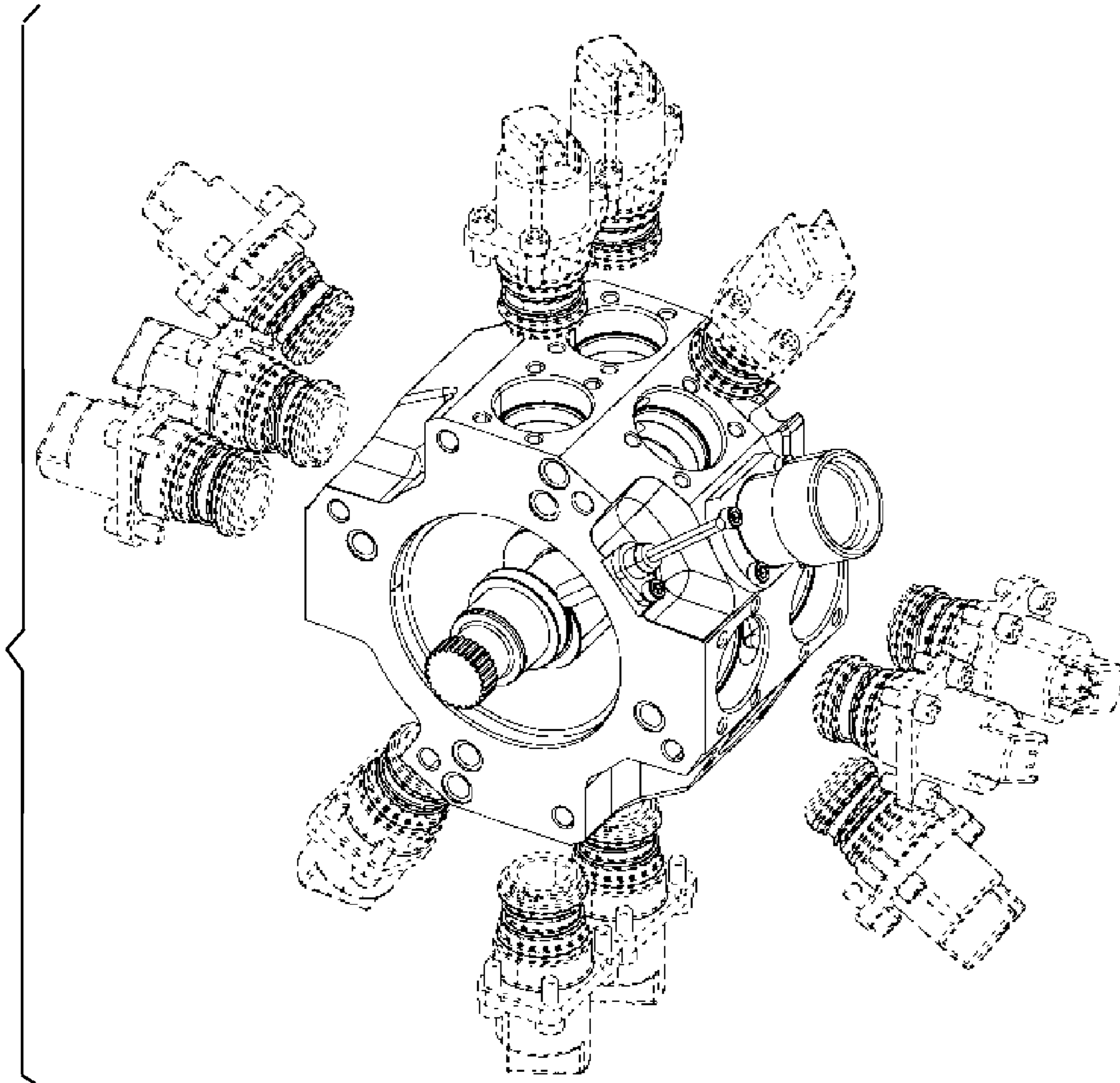


FIG. 6

UNITED STATES PATENT AND TRADEMARK OFFICE  
**CERTIFICATE OF CORRECTION**

PATENT NO. : D728,628 S  
APPLICATION NO. : 29/480777  
DATED : May 5, 2015  
INVENTOR(S) : Luke Wadesly et al.

Page 1 of 1

It is certified that error appears in the above-identified patent and that said Letters Patent is hereby corrected as shown below:

On the title page item 30

PLEASE ADD:  
Foreign Application Priority Data

August 1, 2013 (EU).....002285064

Signed and Sealed this  
Second Day of February, 2016



Michelle K. Lee  
*Director of the United States Patent and Trademark Office*