



US00D728627S

(12) **United States Design Patent**
Walter et al.

(10) **Patent No.:** **US D728,627 S**
(45) **Date of Patent:** **** May 5, 2015**

(54) **DIFFUSER FOR A JET PUMP ASSEMBLY**
(71) Applicant: **Eaton Corporation**, Cleveland, OH (US)
(72) Inventors: **Stefan Walter**, Karlsruhe (DE); **Vaughn Mills**, Chelsea, MI (US); **Daniel Lee Pifer**, Chelsea, MI (US)
(73) Assignee: **Eaton Corporation**, Cleveland, OH (US)
(**) Term: **14 Years**
(21) Appl. No.: **29/456,368**
(22) Filed: **May 30, 2013**
(51) **LOC (10) Cl.** **15-02**
(52) **U.S. Cl.**
USPC **D15/7**
(58) **Field of Classification Search**
CPC F04B 53/14; F02M 37/04; F02M 37/14
USPC D15/7-9; D23/60, 235, 265, 321, 355, D23/358, 363, 359, 410.1, 415-416, 405, D23/900; 60/408, 412; 184/26-37; 415/140-147; 123/495, 509; 137/565.34
See application file for complete search history.

(56) **References Cited**

U.S. PATENT DOCUMENTS

4,505,646 A 3/1985 Long et al.
D331,241 S * 11/1992 Price et al. D15/9

(Continued)

FOREIGN PATENT DOCUMENTS

EP 1967404 A1 9/2008
GB 2493958 A 2/2013
WO 2012161978 A1 11/2012

OTHER PUBLICATIONS

PCT Application PCT/US13/43288, Self-Aligning Jet Pump Assembly, filed May 30, 2013.

(Continued)

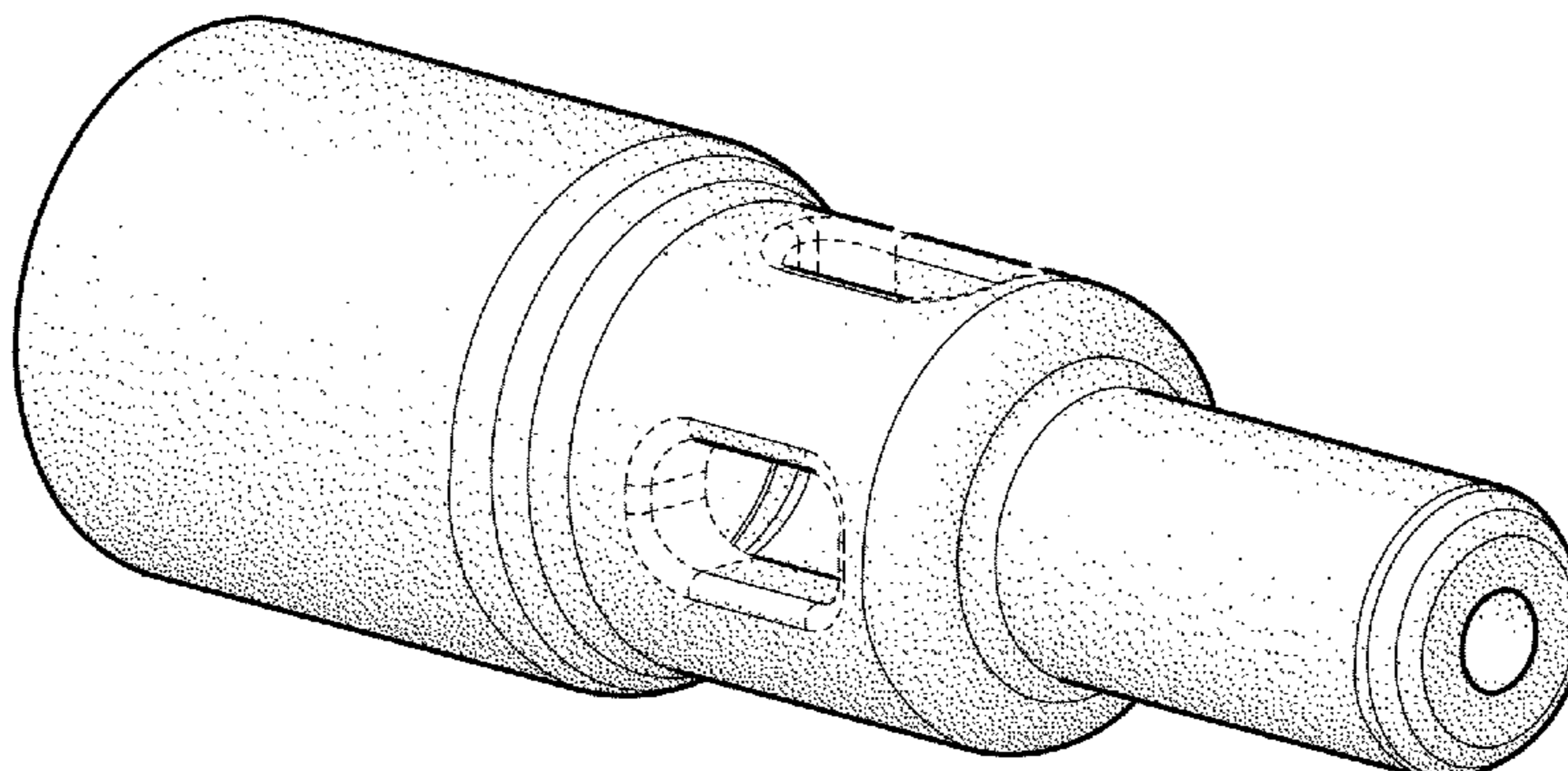
Primary Examiner — Ralf Seifert
(74) *Attorney, Agent, or Firm* — Quinn Law Group, PLLC.

(57) **CLAIM**
The ornamental design for a diffuser for a jet pump assembly, as shown and described.

DESCRIPTION

This application is related to International Patent Application No. PCT/US13/43288 filed on May 30, 2013.
FIG. 1 is a perspective view of a diffuser for a jet pump assembly in accordance with the present teachings.
FIG. 2 is another perspective view of the diffuser of FIG. 1.
FIG. 3 is a side view of the diffuser of FIG. 1.
FIG. 4 is an opposite side view of the diffuser of FIG. 1.
FIG. 5 is a top view of diffuser of FIG. 1.
FIG. 6 is a bottom view of the diffuser of FIG. 1.
FIG. 7 is front view of the diffuser of FIG. 1.
FIG. 8 is a back view of the diffuser of FIG. 1.
FIG. 9 is a perspective view of a diffuser for a jet pump assembly in accordance with another aspect of the present teachings.
FIG. 10 is another perspective view of the diffuser of FIG. 9.
FIG. 11 is a side view of the diffuser of FIG. 9.
FIG. 12 is an opposite side view of the diffuser of FIG. 9.
FIG. 13 is a top view of diffuser of FIG. 9.
FIG. 14 is a bottom view of the diffuser of FIG. 9.
FIG. 15 is front view of the diffuser of FIG. 9.
FIG. 16 is a back view of the diffuser of FIG. 9.
FIG. 17 is a perspective view of a diffuser for a jet pump assembly in accordance with another aspect of the present teachings.
FIG. 18 is another perspective view of the diffuser of FIG. 17.
FIG. 19 is a side view of the diffuser of FIG. 17.
FIG. 20 is an opposite side view of the diffuser of FIG. 17.
FIG. 21 is a top view of diffuser of FIG. 17.
FIG. 22 is a bottom view of the diffuser of FIG. 17.
FIG. 23 is front view of the diffuser of FIG. 17; and, FIG. 24 is a back view of the diffuser of FIG. 17.
The broken line showing portions of the diffuser for a jet pump assembly form no part of the claimed design.

1 Claim, 12 Drawing Sheets



(56)

References Cited

U.S. PATENT DOCUMENTS

D355,199 S * 2/1995 Ousey D15/7
 5,458,467 A 10/1995 Yuhasz
 D375,315 S * 11/1996 Paul-Johansson D15/7
 D461,827 S * 8/2002 Koebbe D15/7
 D471,563 S * 3/2003 Selic et al. D15/7
 D506,210 S * 6/2005 Selic et al. D15/7
 D520,521 S * 5/2006 Angeletta D15/7
 D540,349 S * 4/2007 Waki D15/9
 7,383,856 B2 6/2008 Martis et al.
 D584,320 S * 1/2009 Huang D15/7
 D610,166 S * 2/2010 Foreman D15/7
 D623,200 S * 9/2010 Fulkerson et al. D15/7
 D641,382 S * 7/2011 Hawes et al. D15/7

D643,442 S * 8/2011 Sato et al. D15/9
 D652,059 S * 1/2012 Sato et al. D15/9
 D682,317 S * 5/2013 Carruth et al. D15/7
 D700,623 S * 3/2014 Van Genechten D15/7
 2002/0017281 A1 2/2002 Crary et al.
 2003/0188786 A1 10/2003 Toki et al.
 2005/0126633 A1 6/2005 Leonhardt
 2011/0272412 A1 11/2011 Pozgainer et al.

OTHER PUBLICATIONS

U.S. Appl. No. 13/334,529, Liquid Trap With Integral Jet Pump. filed Dec. 22, 2011.
 PCT Application PCT/US12/70081, Liquid Trap With Integral Jet Pump. filed Dec. 17, 2012.

* cited by examiner

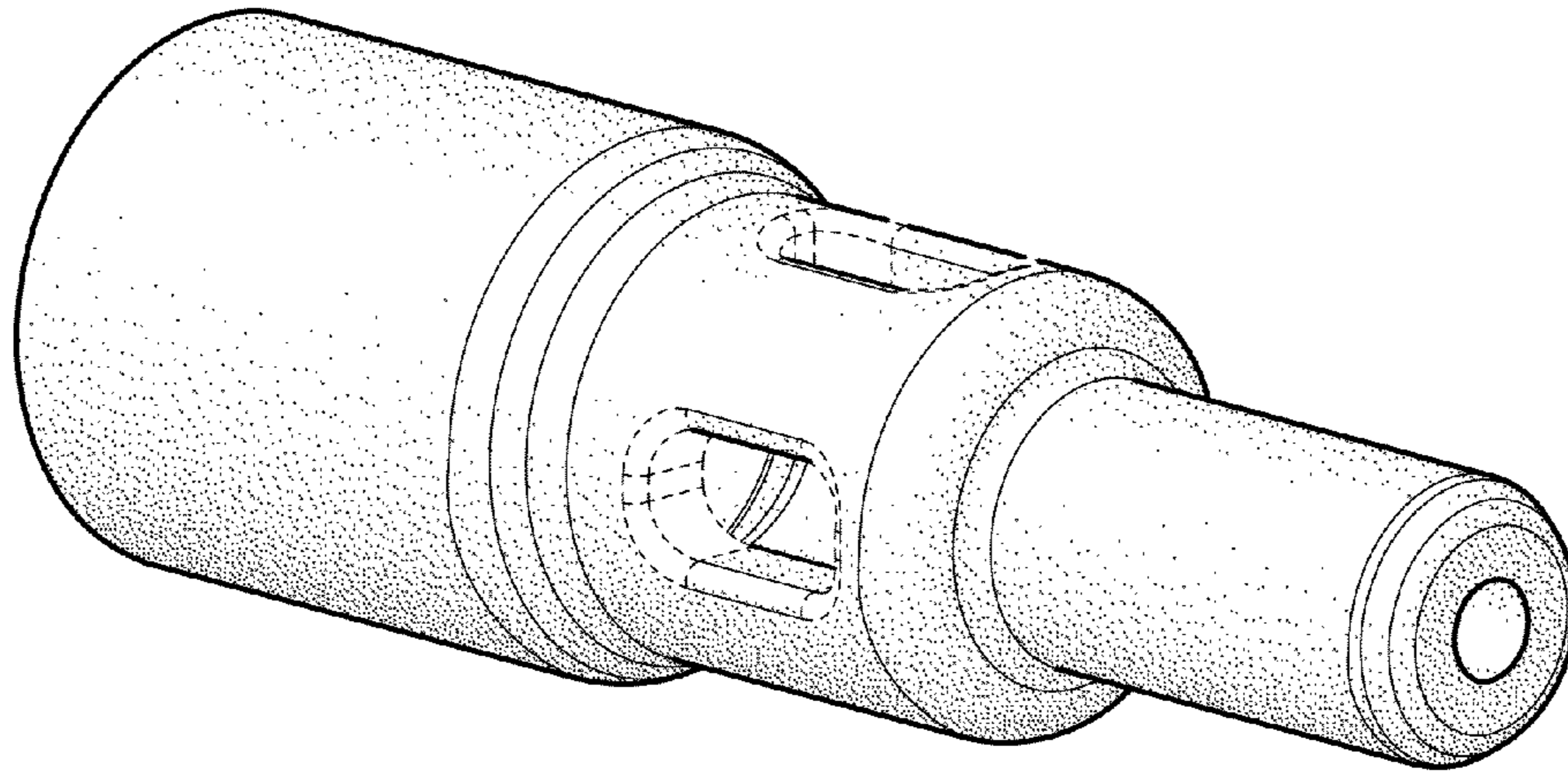


FIG. 1

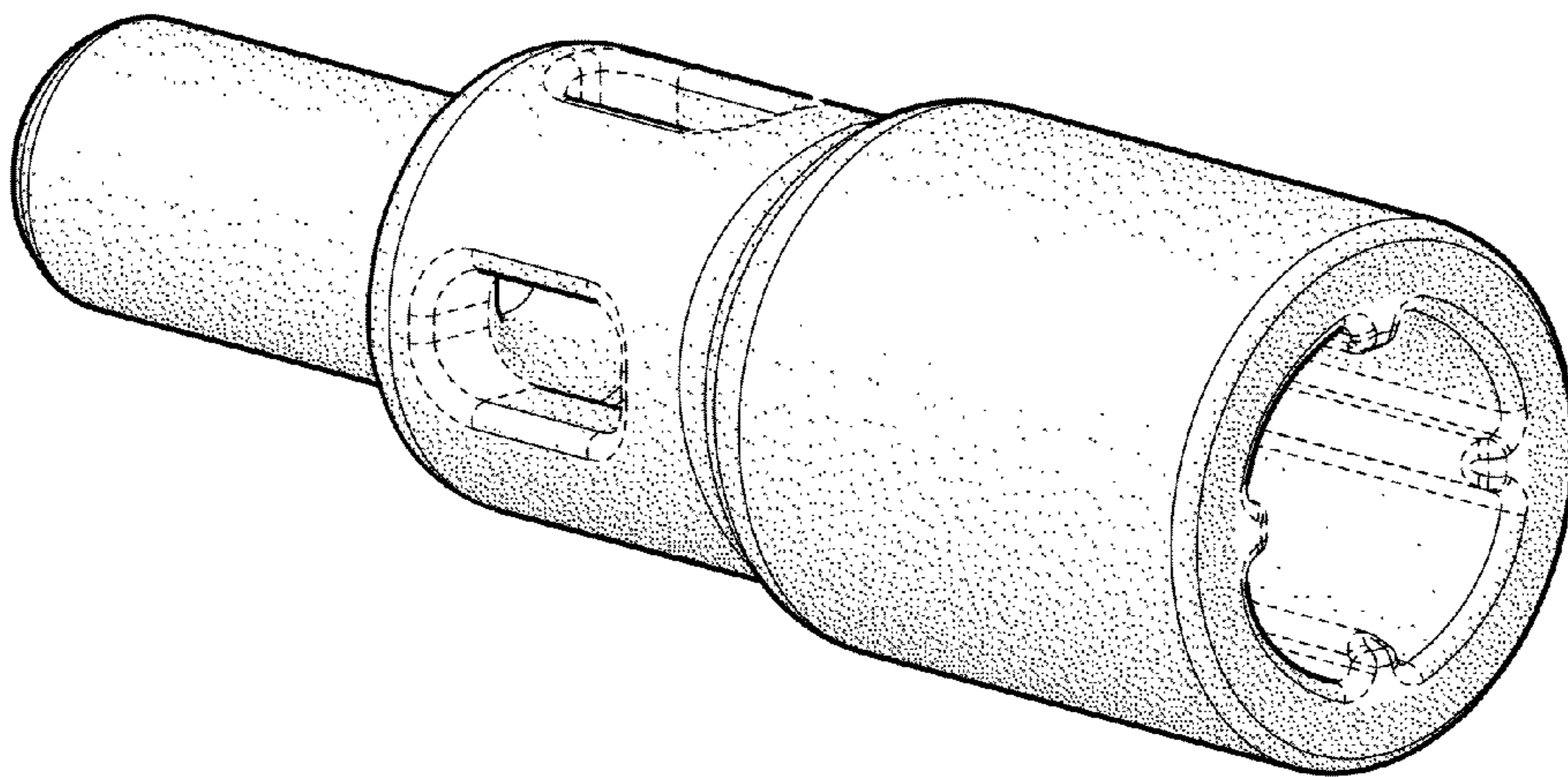


FIG. 2

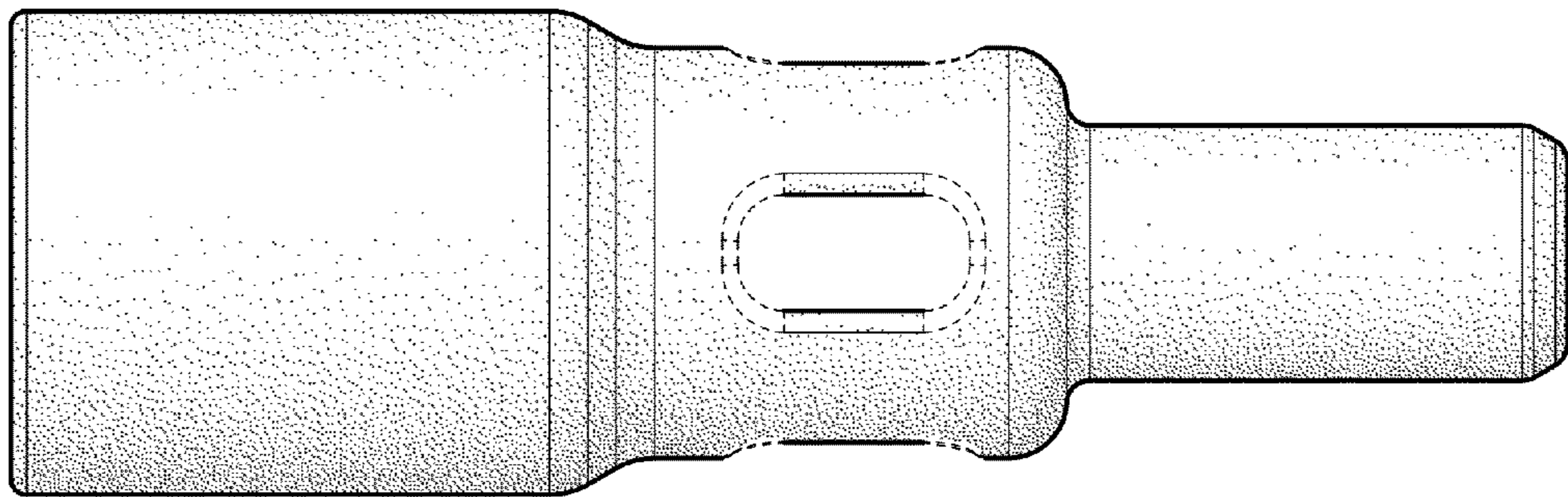


FIG. 3

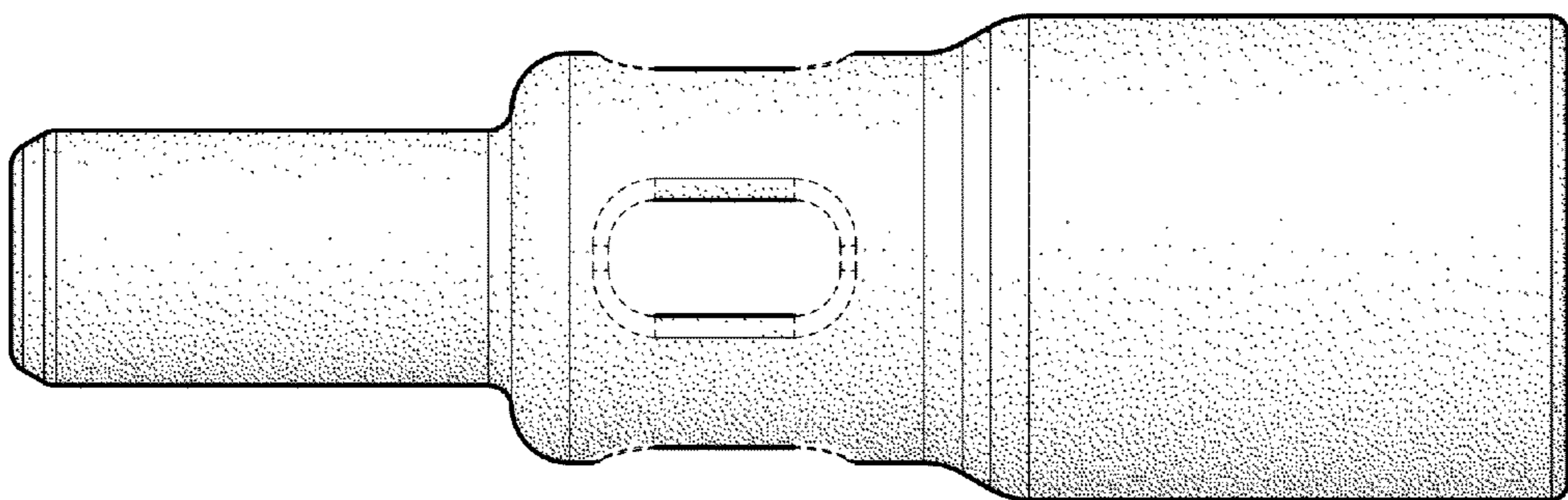


FIG. 4

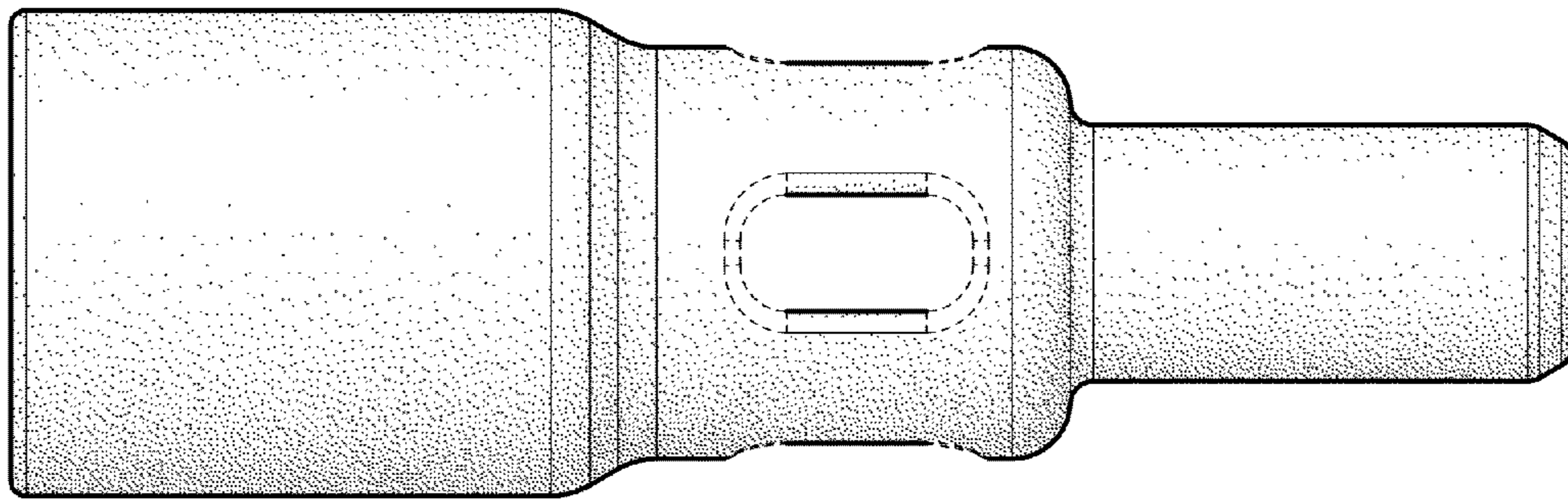


FIG. 5

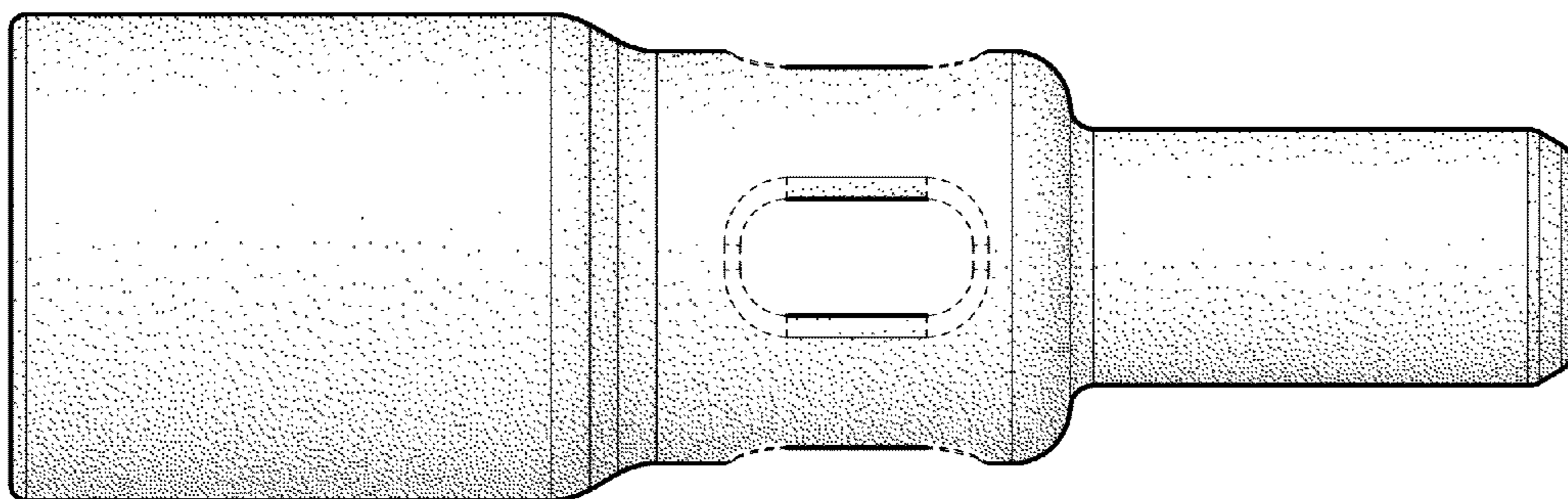


FIG. 6

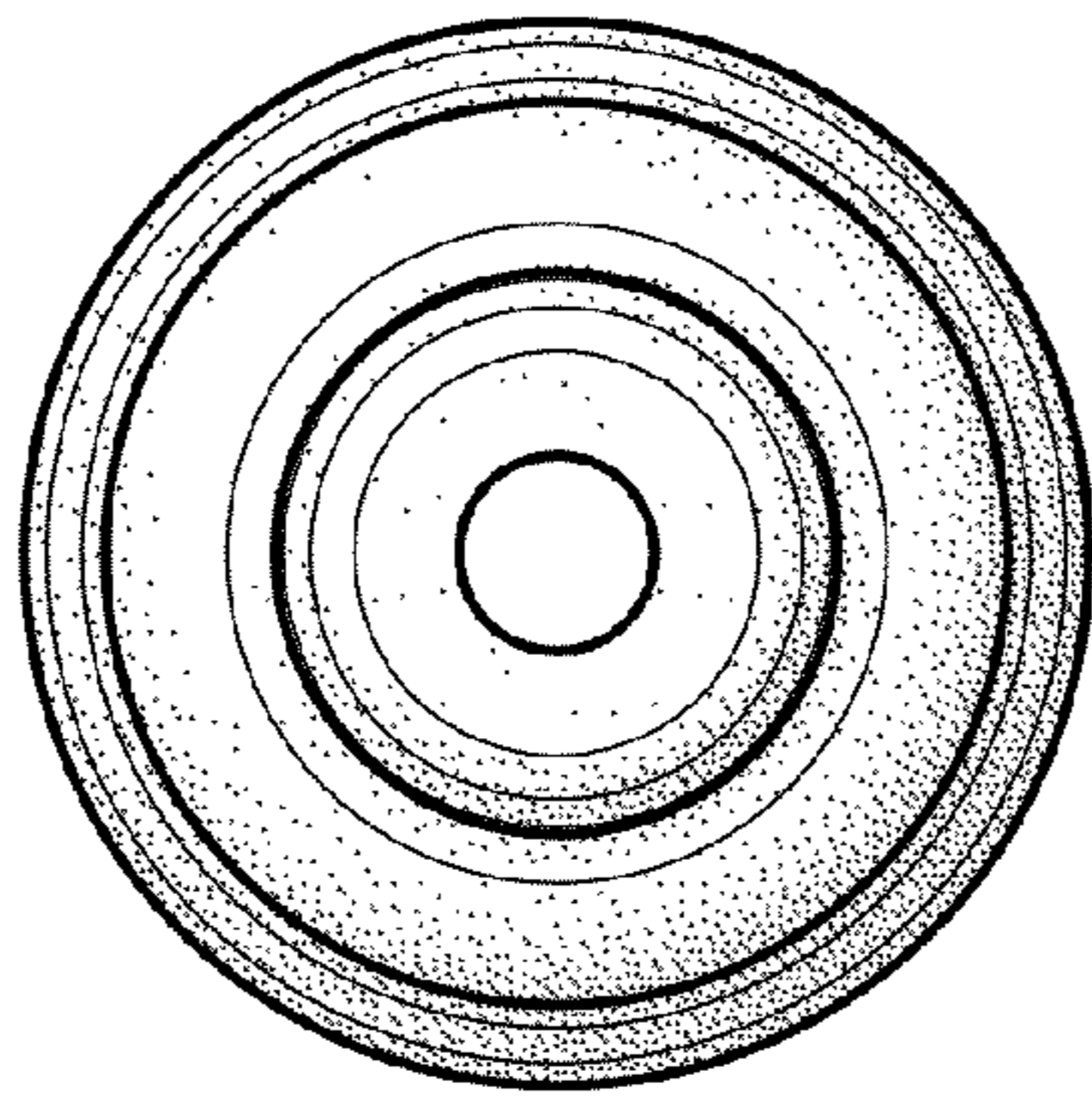


FIG. 7

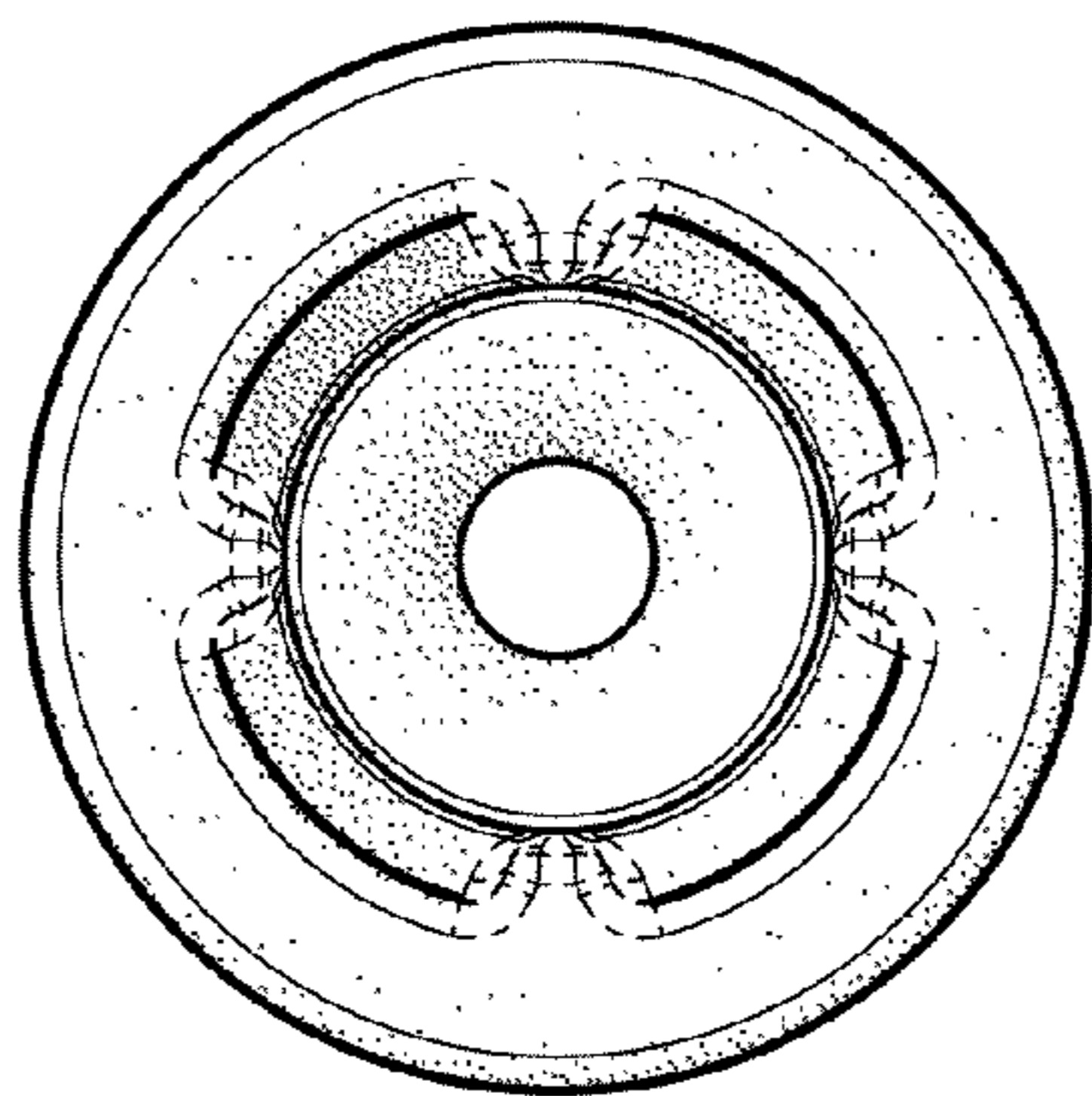


FIG. 8

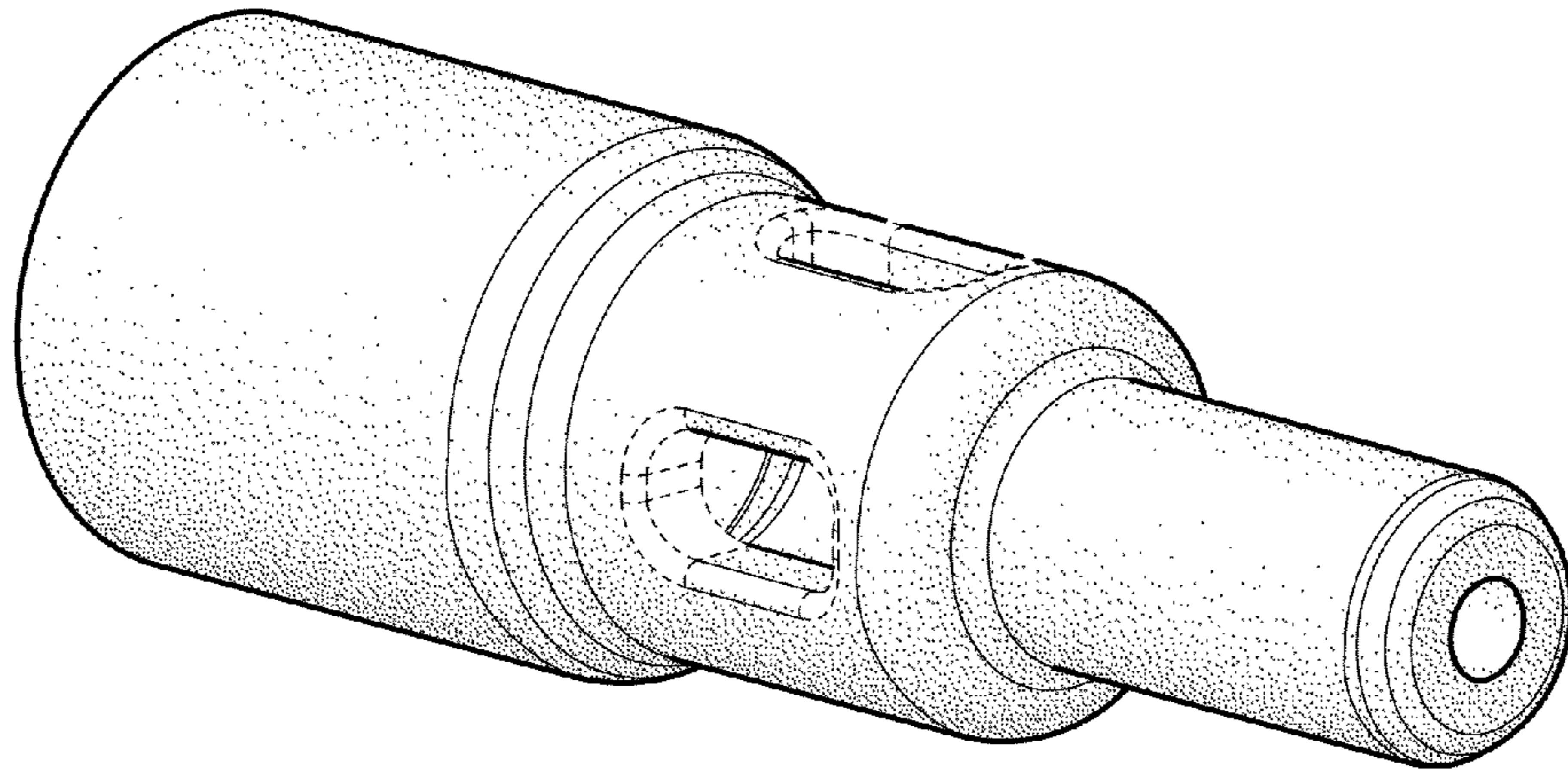


FIG. 9

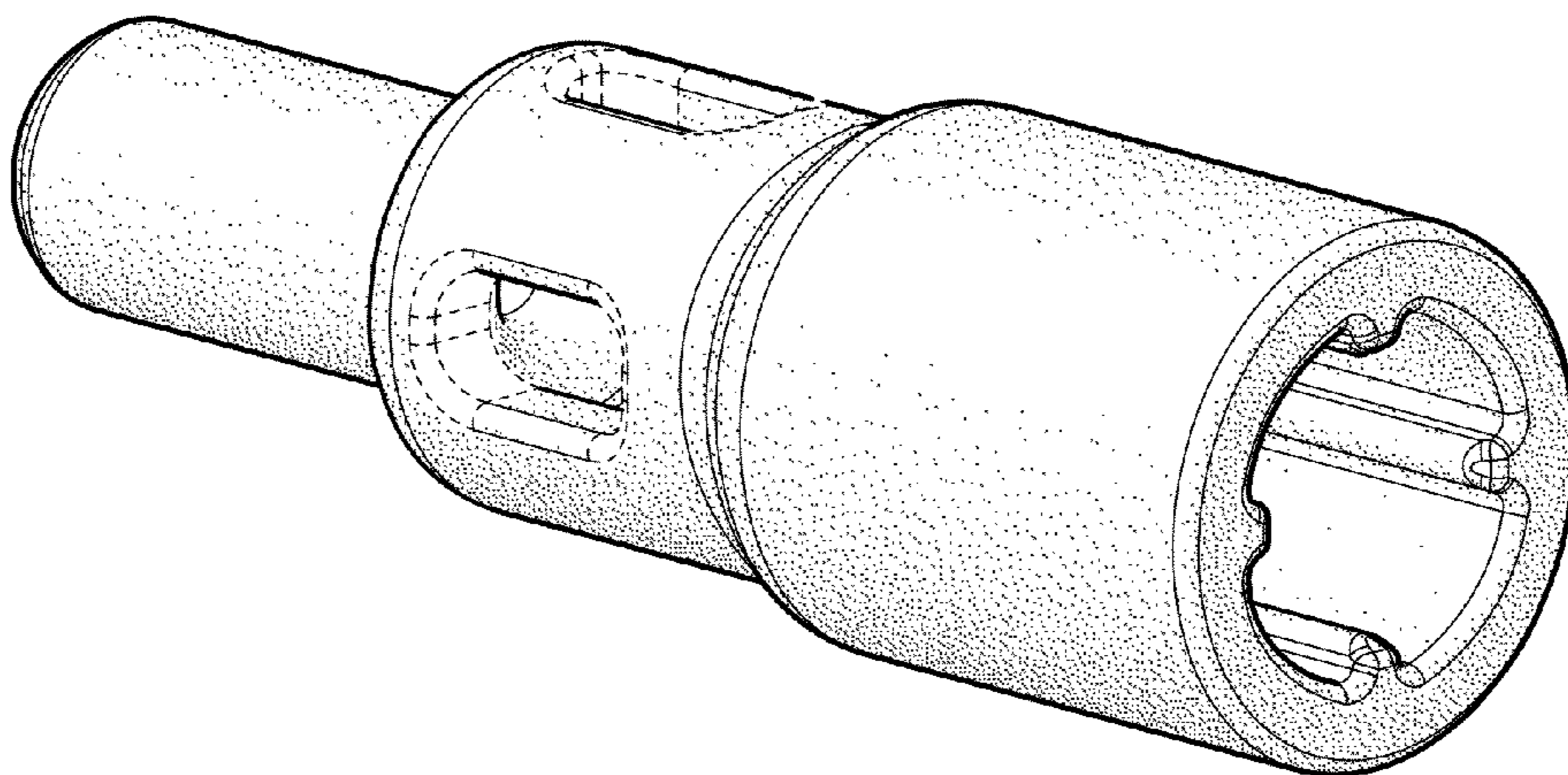


FIG. 10

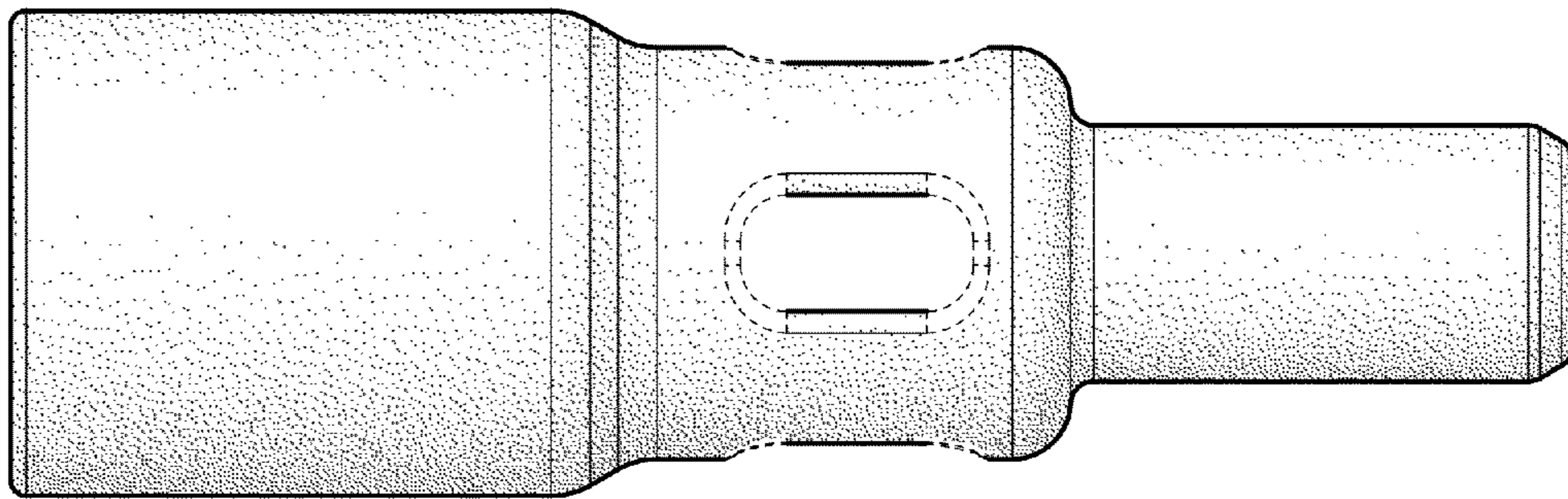


FIG. 11

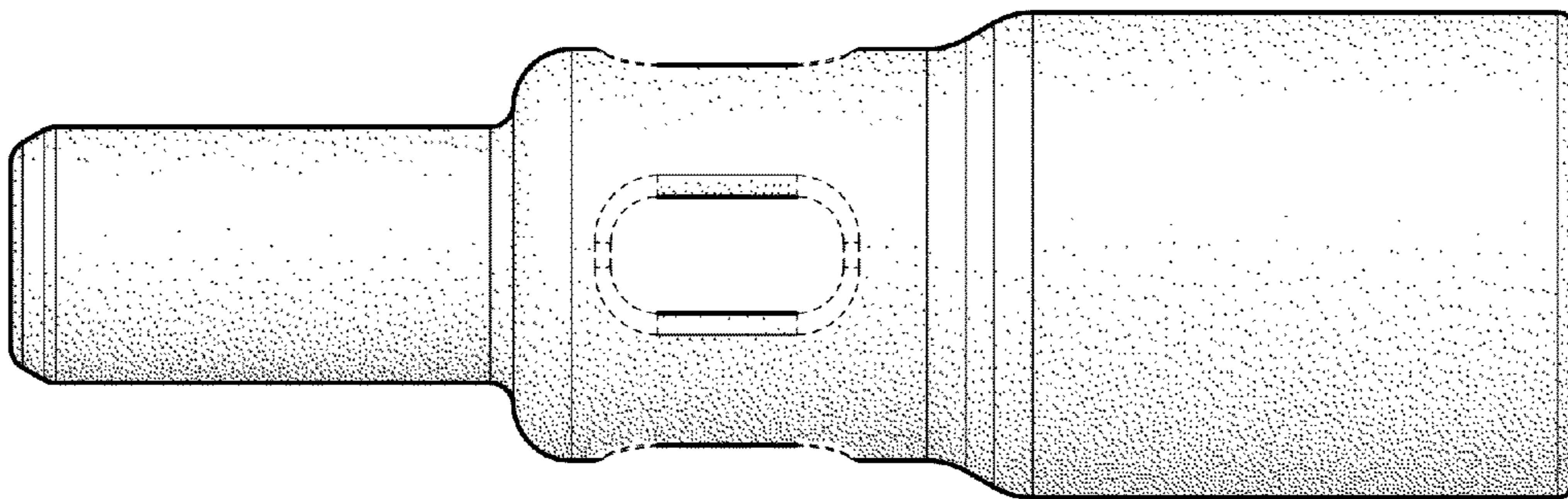


FIG. 12

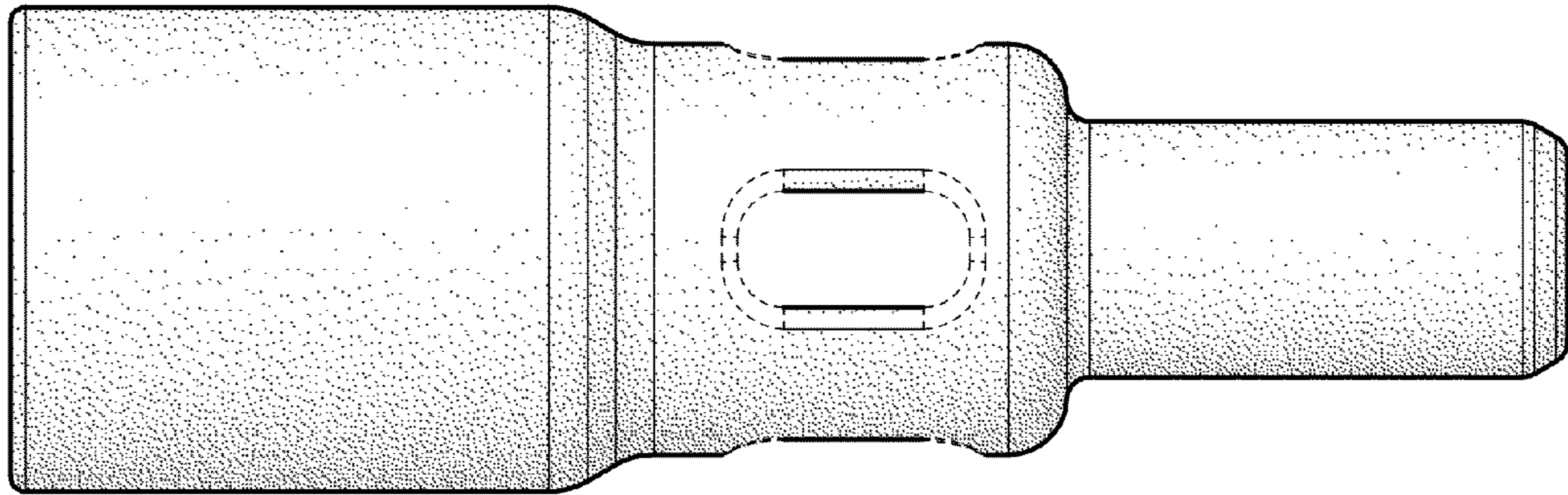


FIG. 13

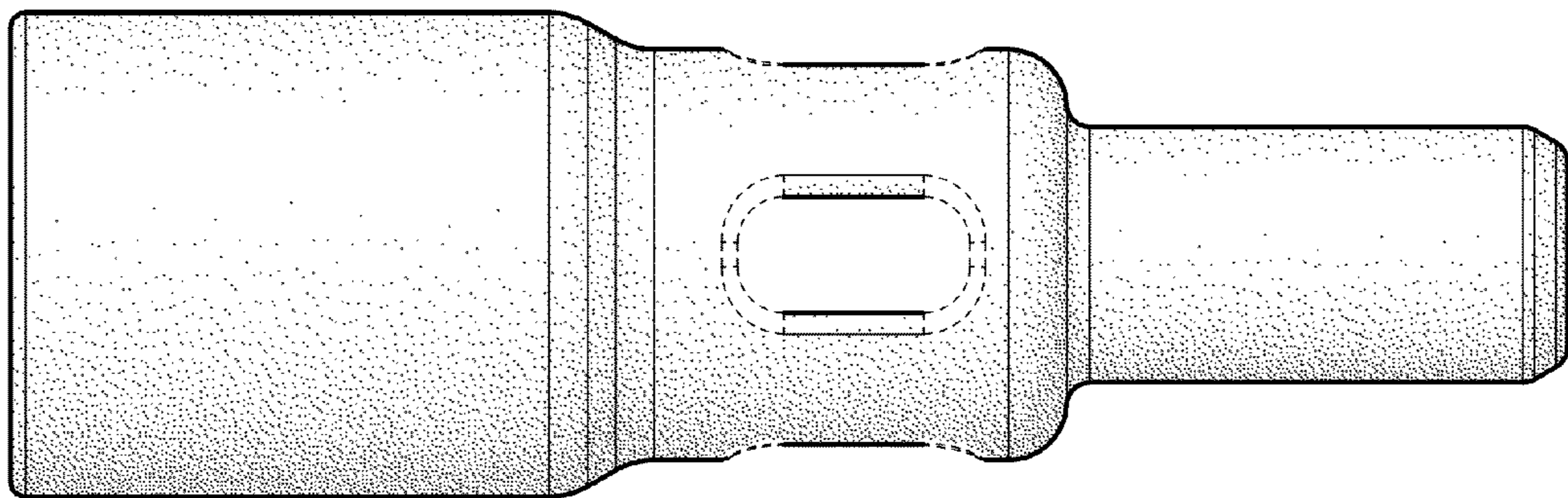


FIG. 14

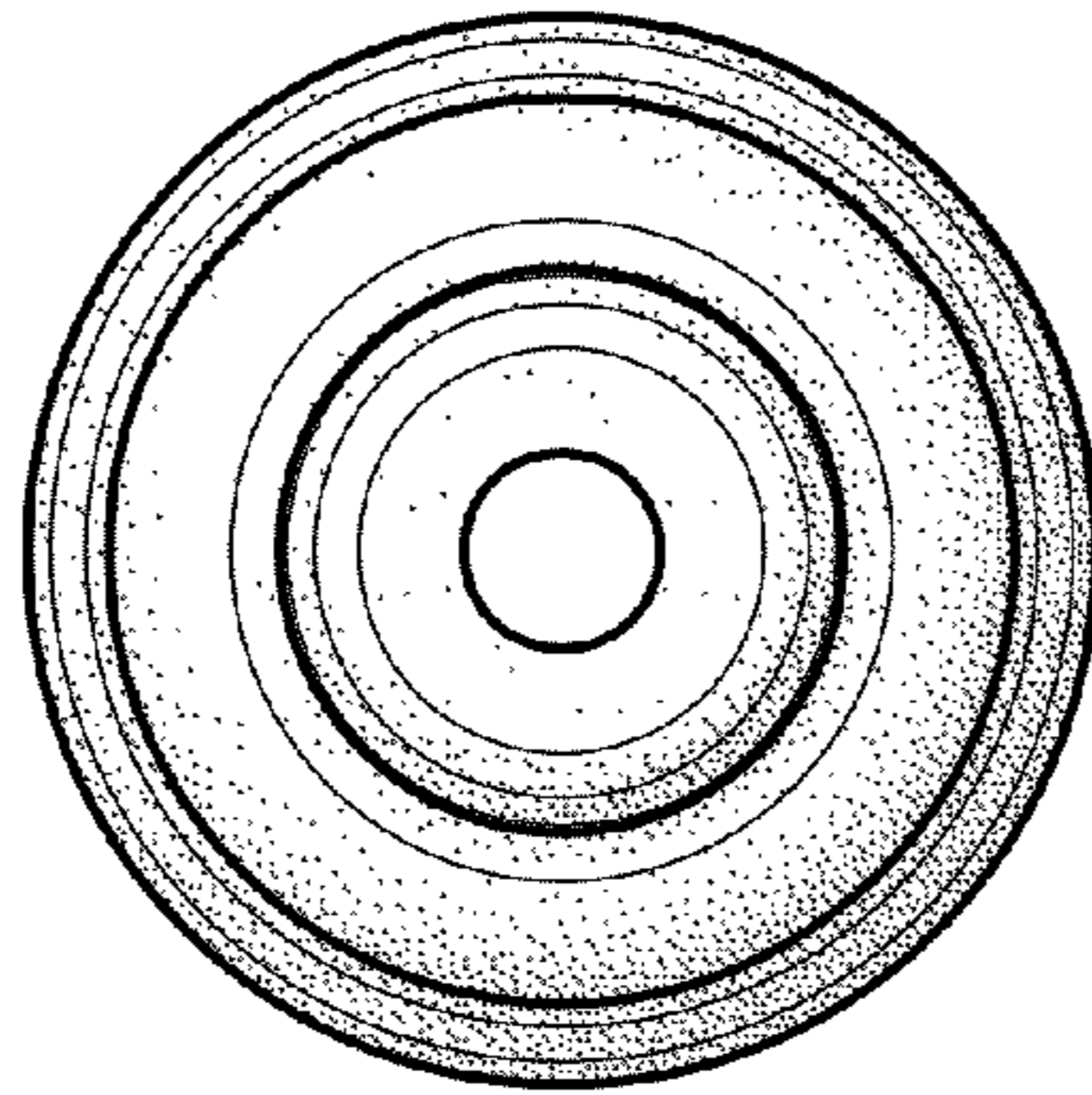


FIG. 15

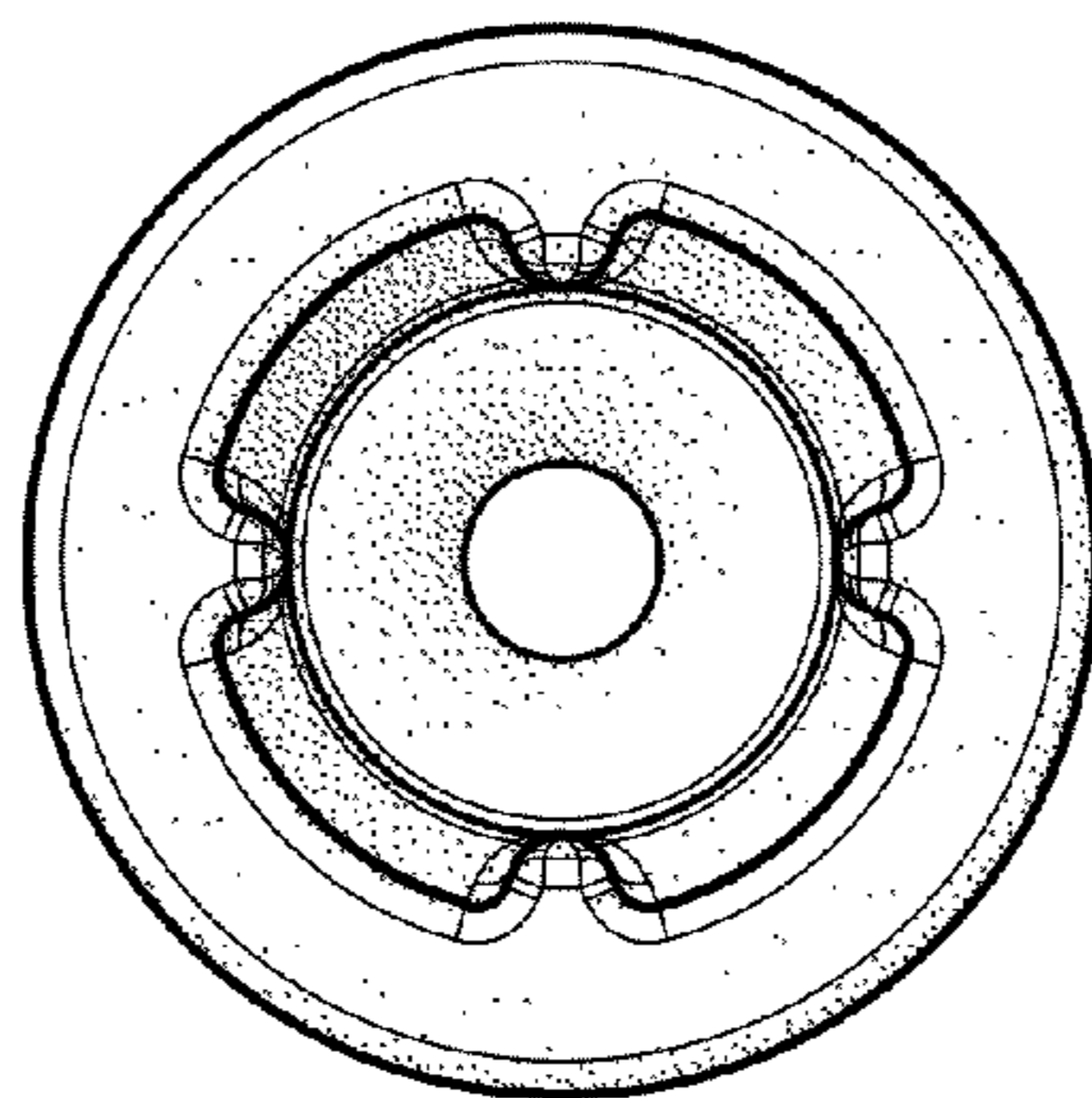


FIG. 16

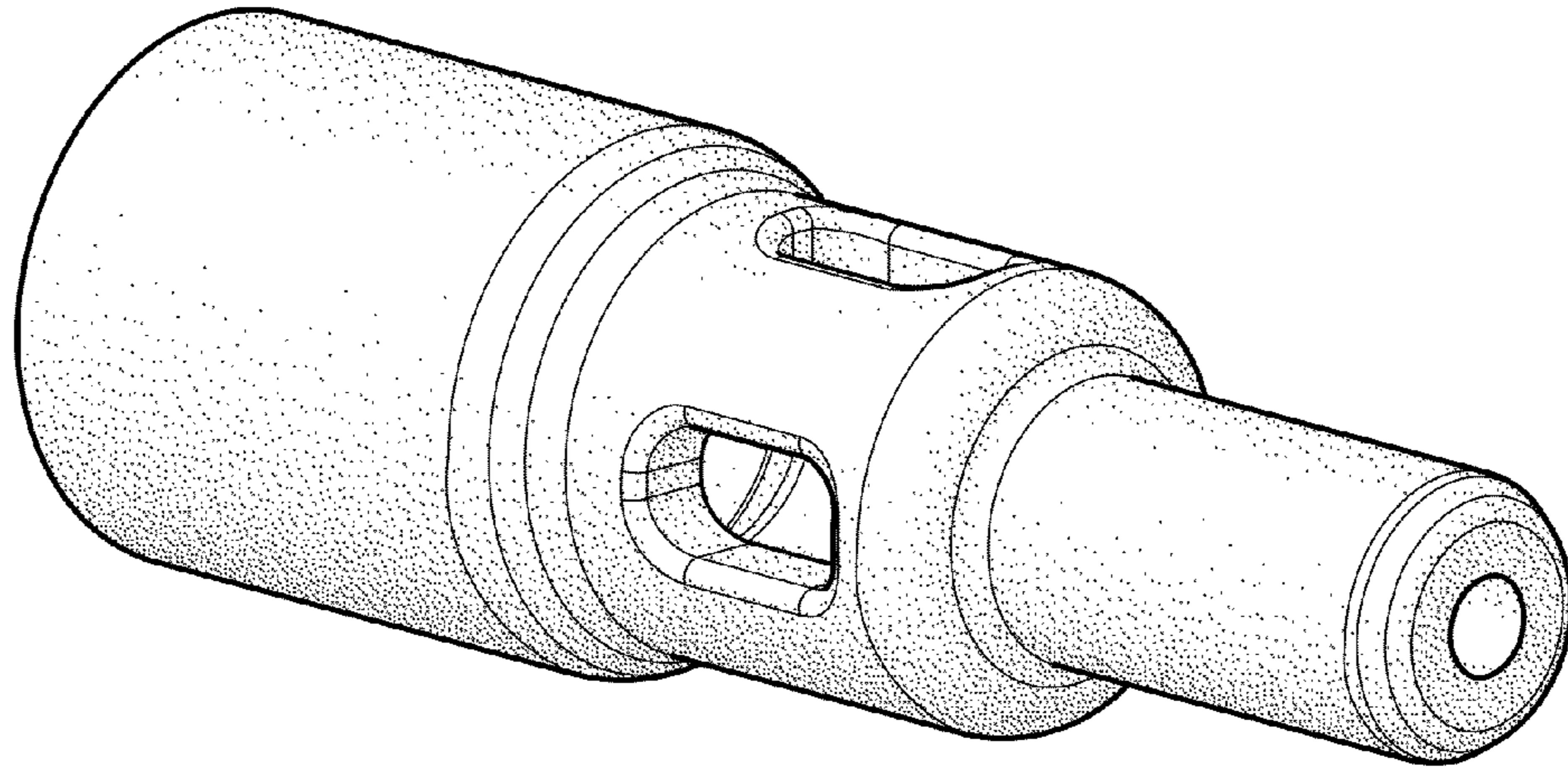


FIG. 17

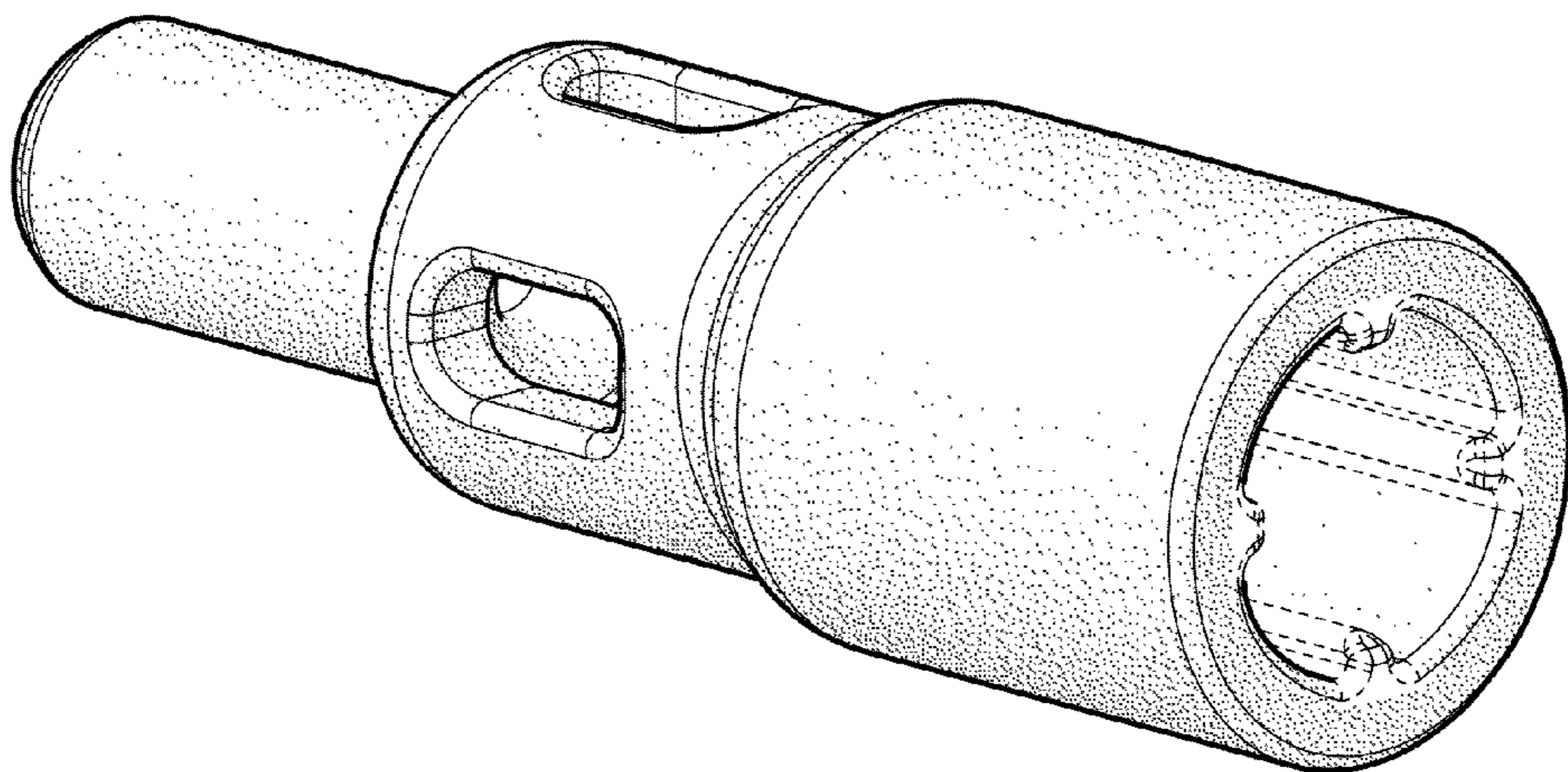


FIG. 18

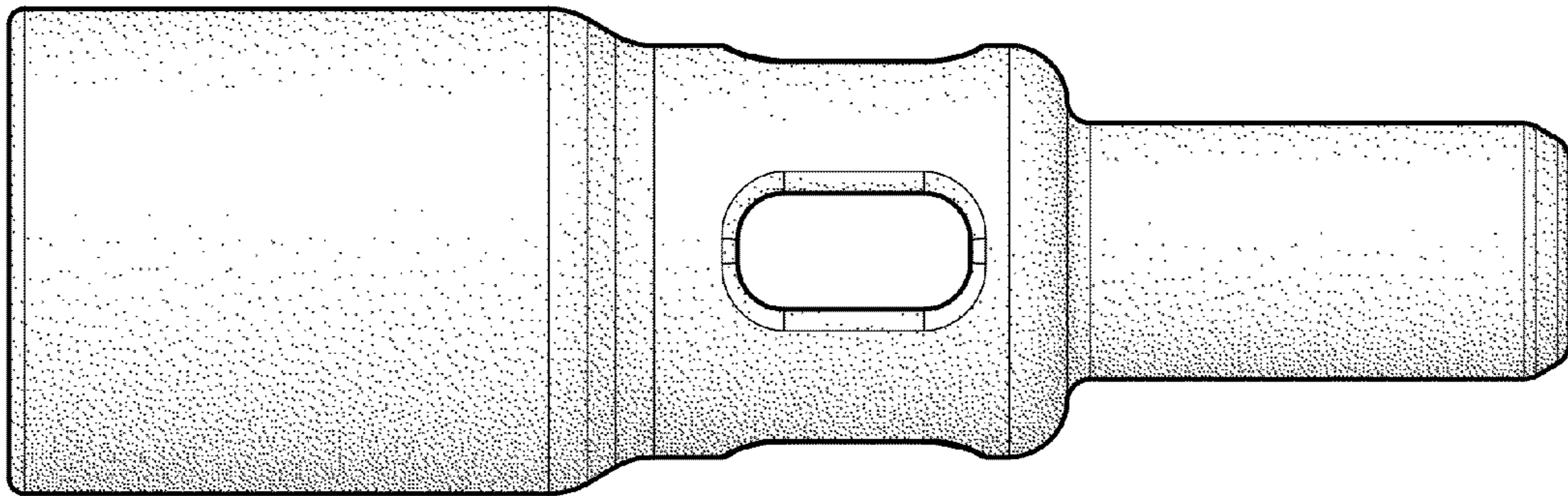


FIG. 19

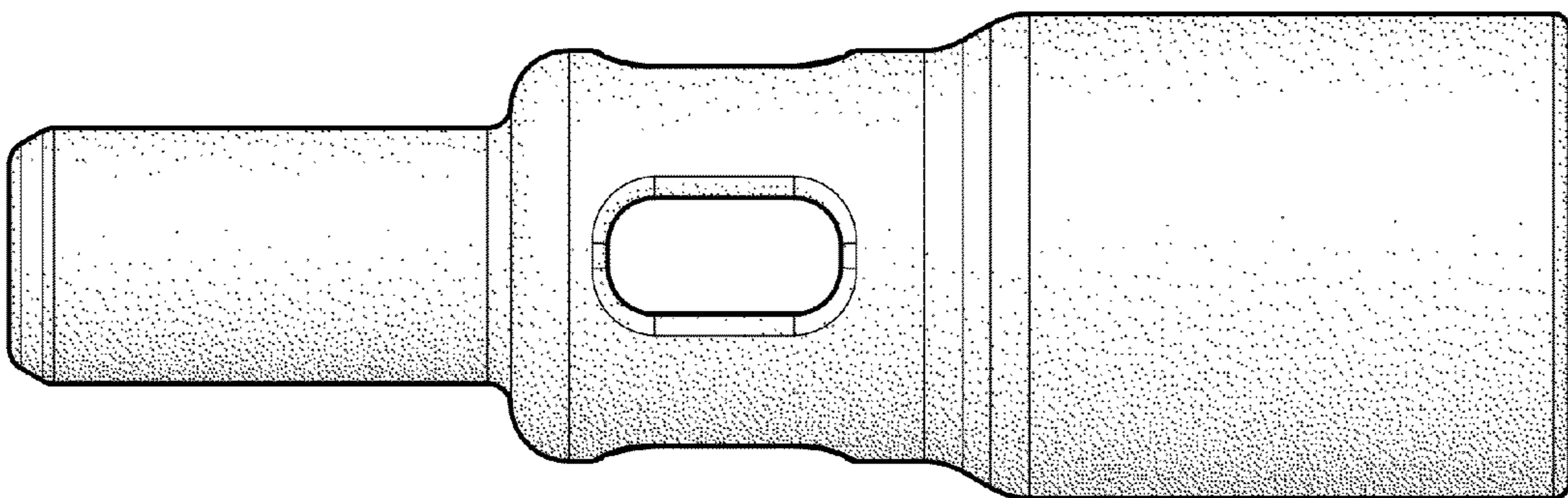


FIG. 20

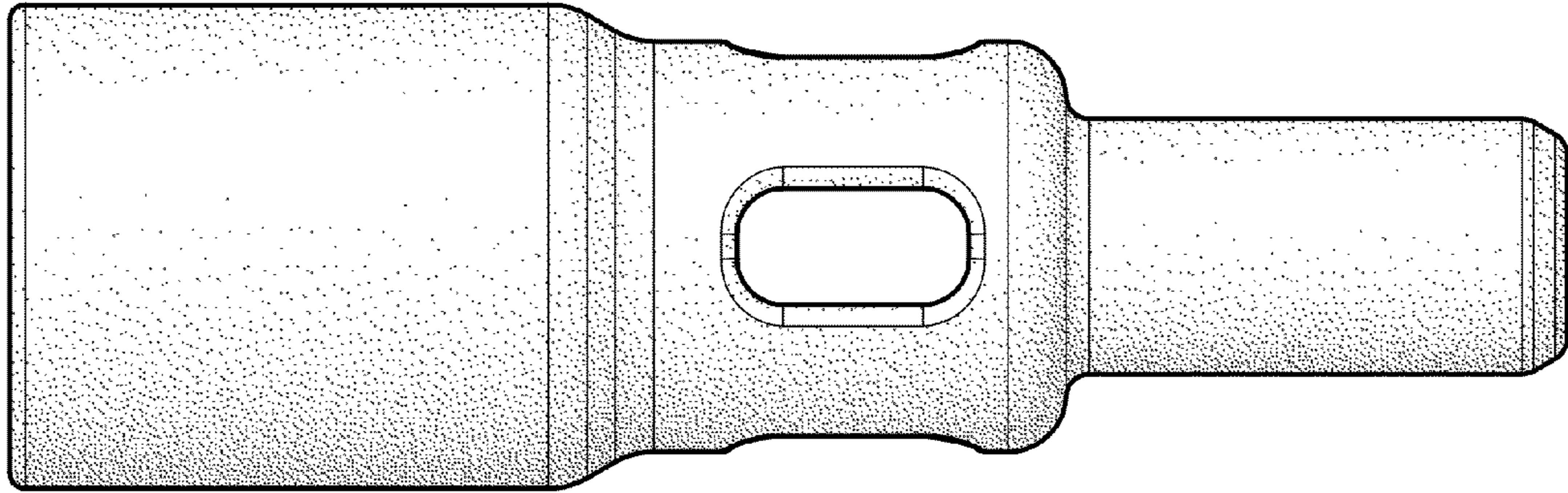


FIG. 21

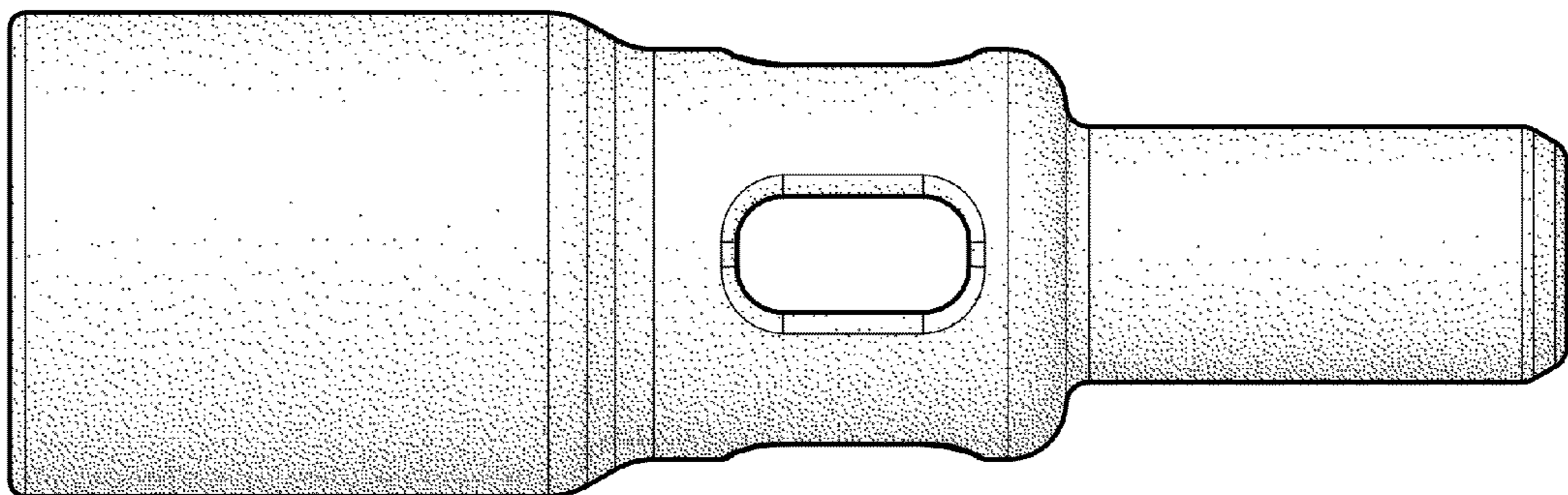


FIG. 22

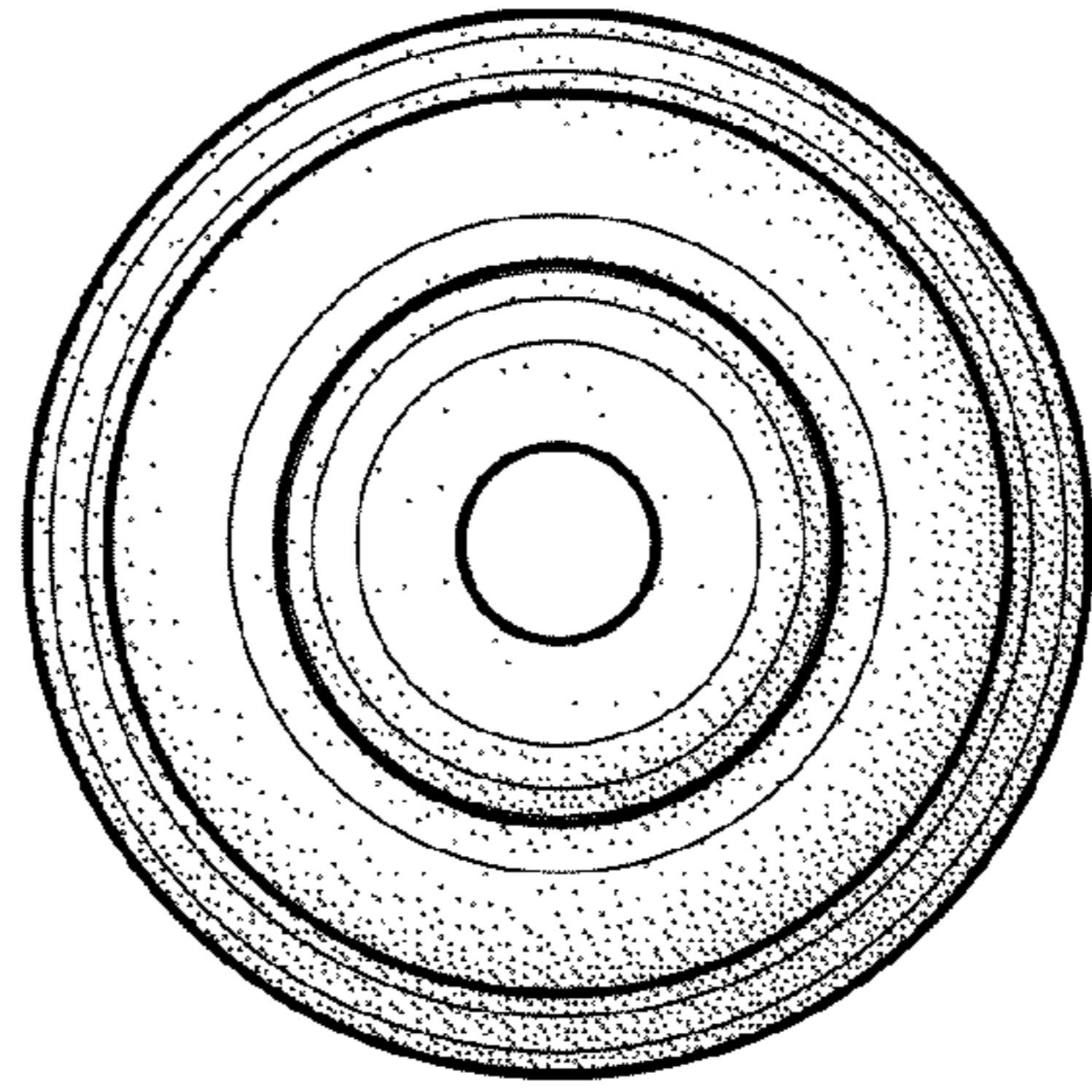


FIG. 23

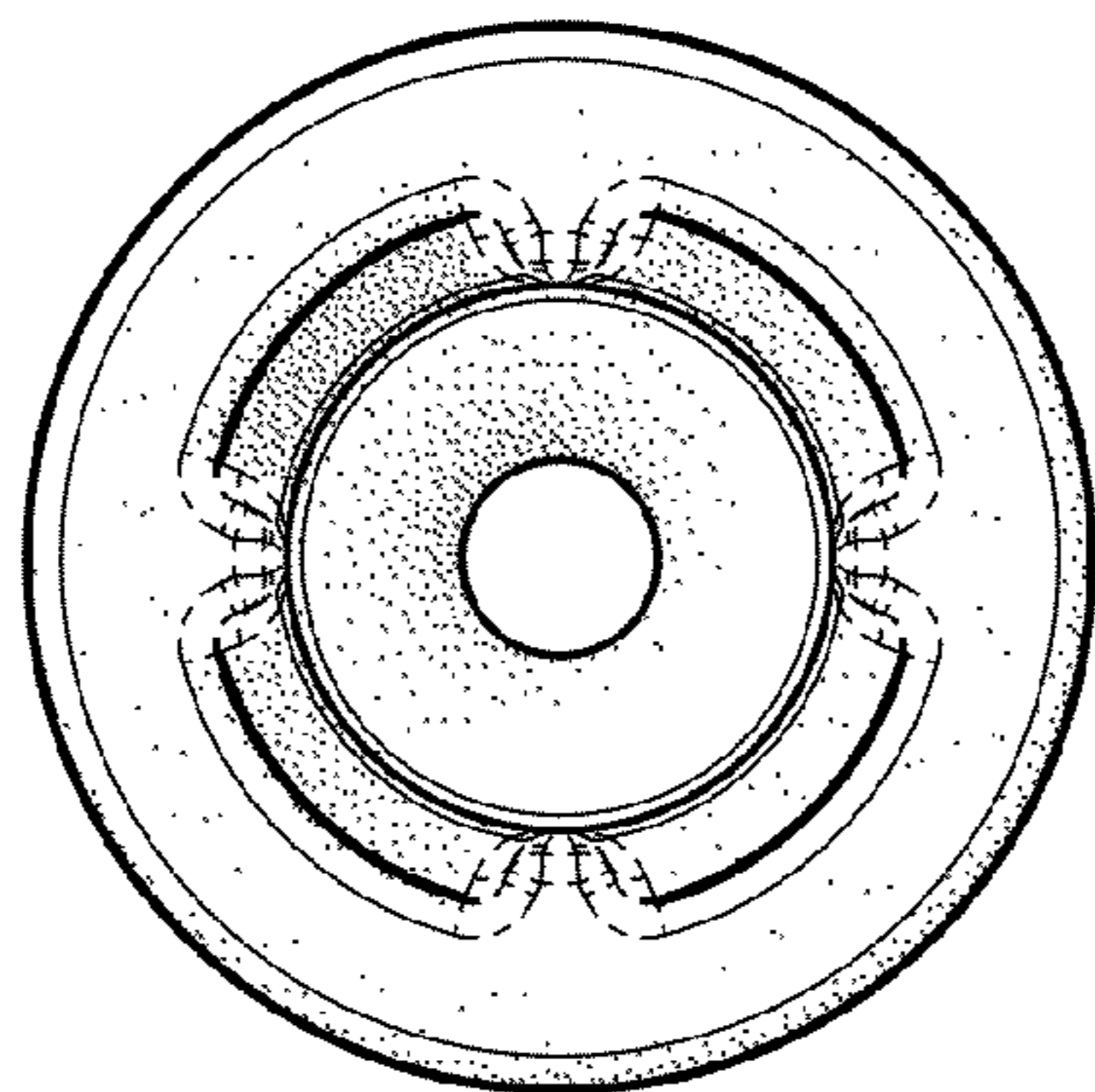


FIG. 24