



US00D728626S

(12) **United States Design Patent**
Adeni

(10) **Patent No.:** **US D728,626 S**

(45) **Date of Patent:** **** May 5, 2015**

(54) **MANIFOLD**

(71) Applicant: **M. Khaja Adeni**, Chennai (IN)

(72) Inventor: **M. Khaja Adeni**, Chennai (IN)

(**) Term: **14 Years**

(21) Appl. No.: **29/477,156**

(22) Filed: **Dec. 19, 2013**

(51) **LOC (10) Cl.** **15-01**

(52) **U.S. Cl.**
USPC **D15/5**

(58) **Field of Classification Search**

USPC D15/1, 2, 3, 4, 5, 6; D23/259, 213, 206,
D23/235, 233, 241, 322, 354; 137/837,
137/561 A; D10/49

See application file for complete search history.

(56) **References Cited**

U.S. PATENT DOCUMENTS

5,881,766 A * 3/1999 Schlesch et al. 137/597
D488,543 S * 4/2004 Fulcher et al. D23/259
7,172,572 B2 * 2/2007 Diamond et al. 604/32

7,806,138 B1 * 10/2010 Frantz 137/606
D698,010 S * 1/2014 Boyer D23/235
2013/0299018 A1 * 11/2013 Elliott 137/561 A

* cited by examiner

Primary Examiner — T. Chase Nelson

Assistant Examiner — Ania Aman

(74) *Attorney, Agent, or Firm* — Hamre, Schumann, Mueller
& Larson, P.C.

(57) **CLAIM**

The ornamental design for a manifold, as shown and described.

DESCRIPTION

FIG. 1 is a perspective view of the manifold according to my design;

FIG. 2 is a front view thereof;

FIG. 3 is a rear view thereof;

FIG. 4 is a right side view thereof;

FIG. 5 is a left side view thereof;

FIG. 6 is a top view thereof; and,

FIG. 7 is a bottom view thereof.

The dashed lines in the drawings are for illustration purposes only and do not form part of the claimed design.

1 Claim, 7 Drawing Sheets

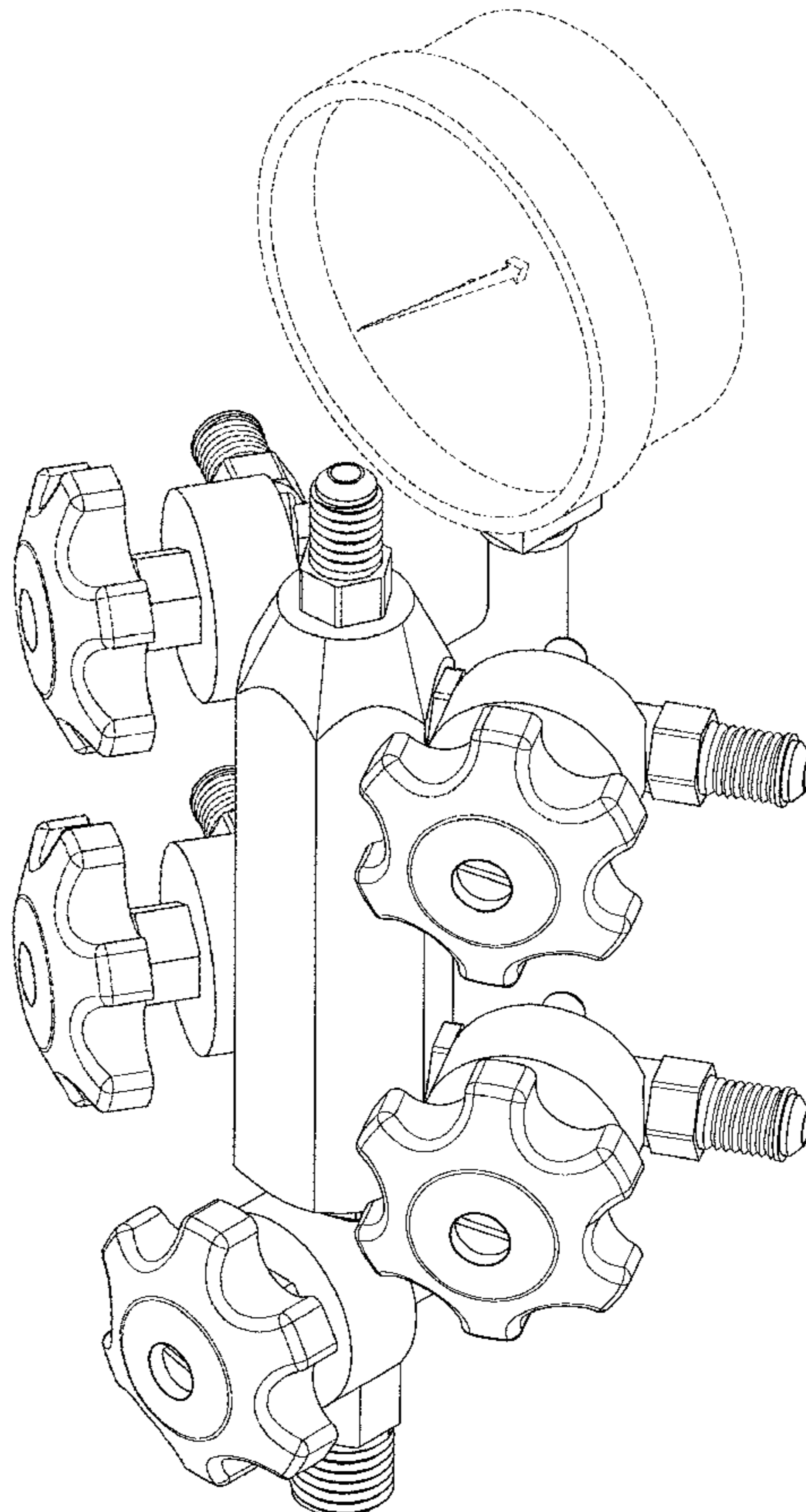


FIG. 1

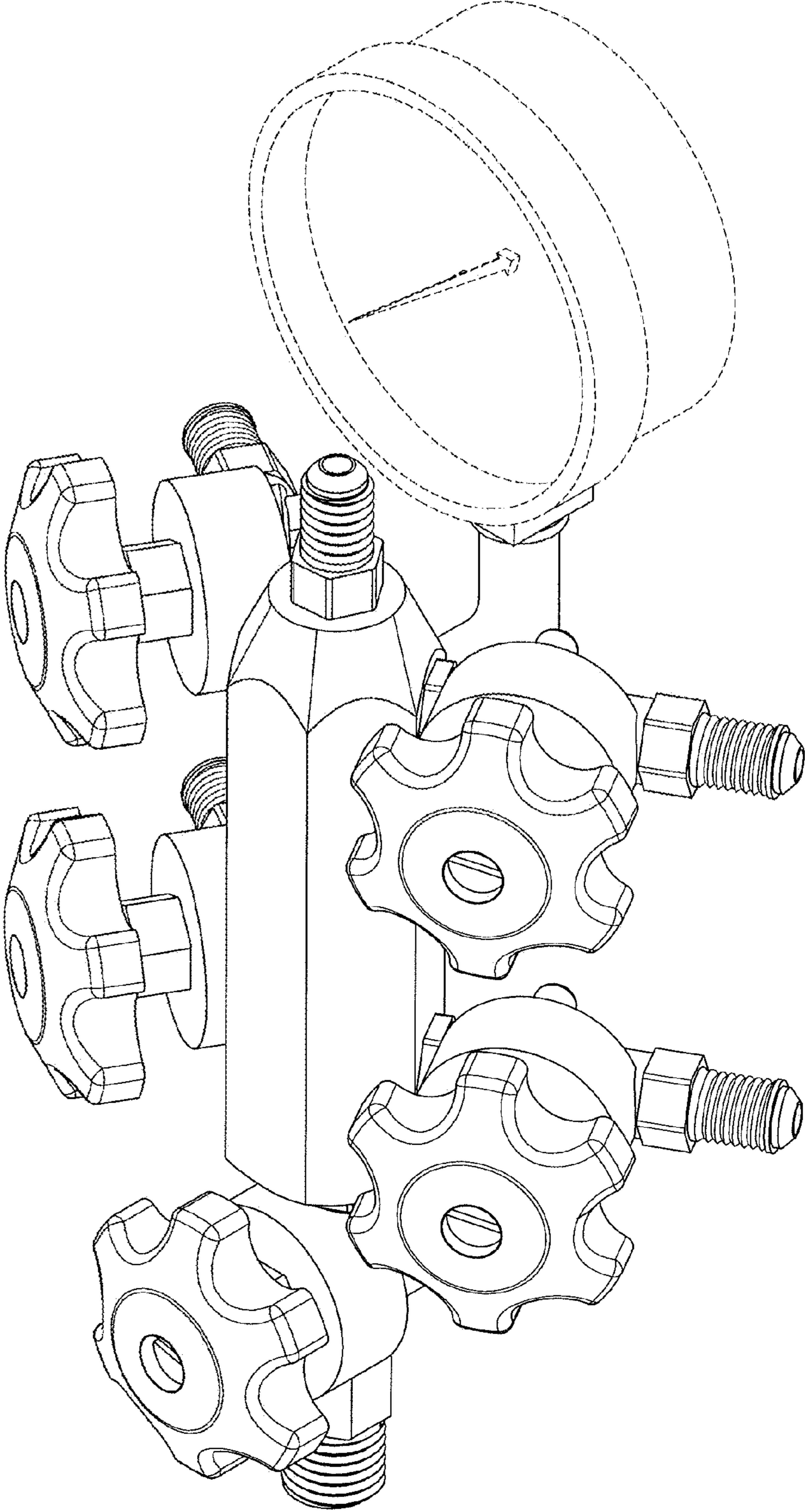


FIG. 2

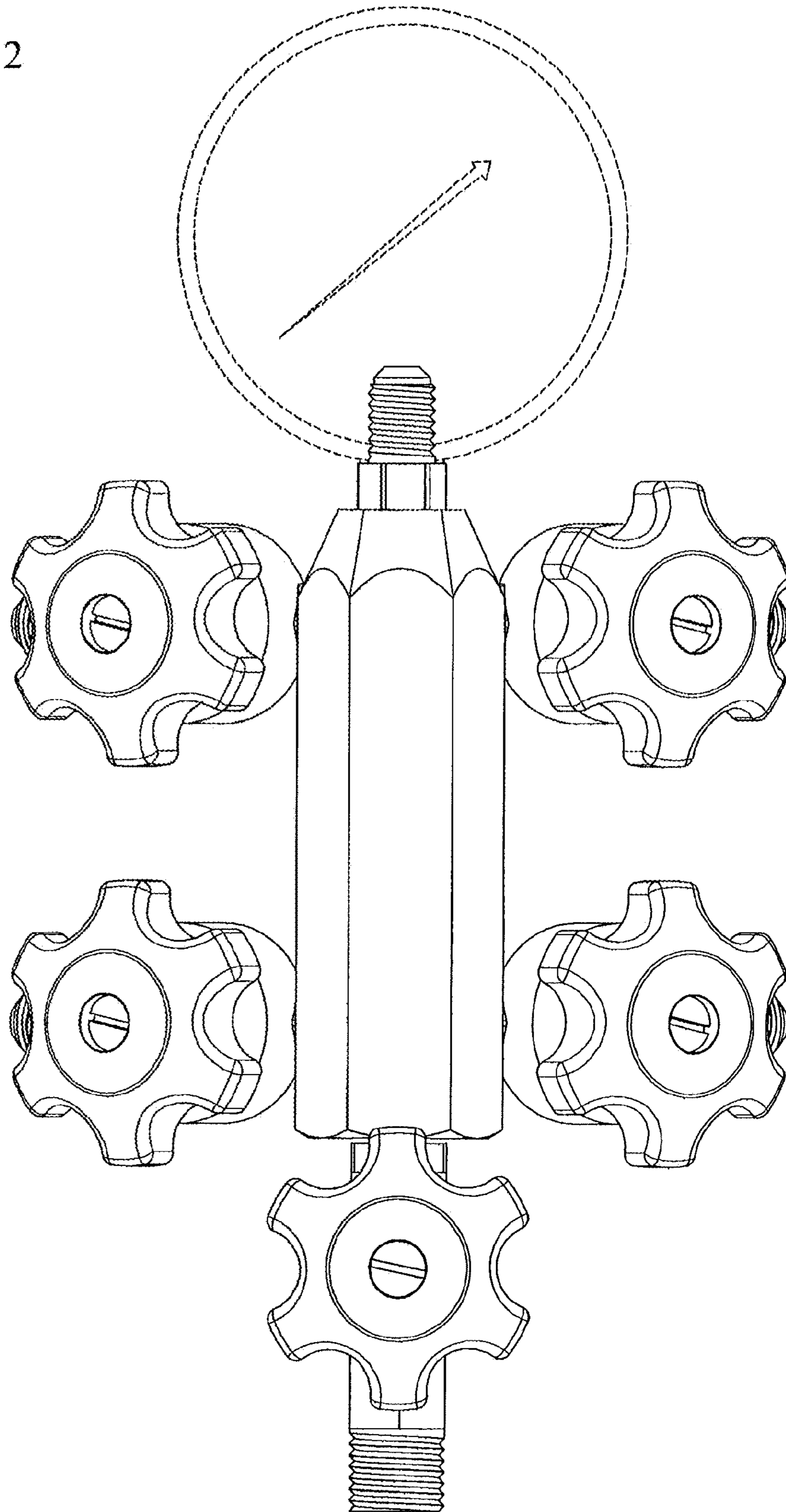


FIG. 3

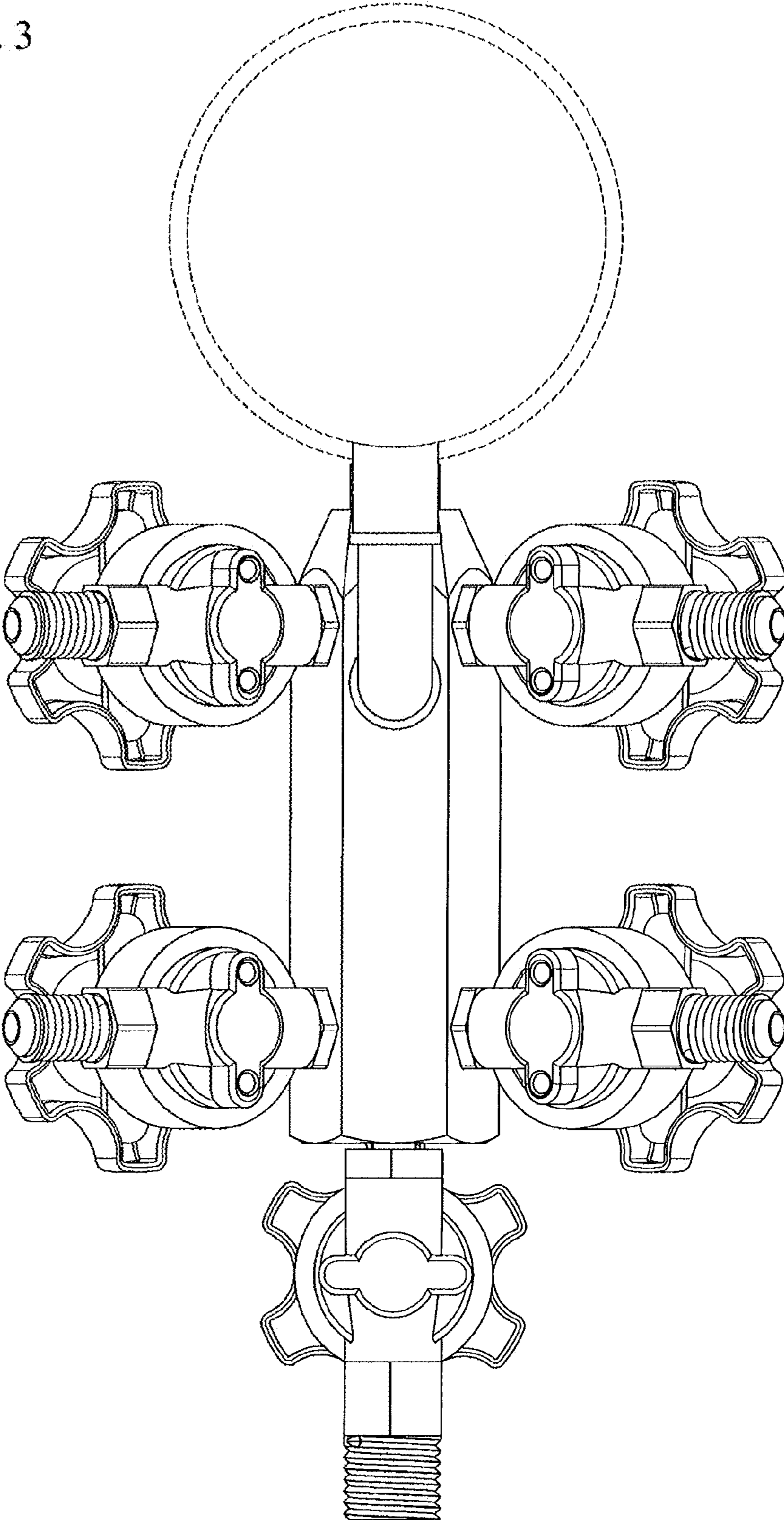


FIG. 4

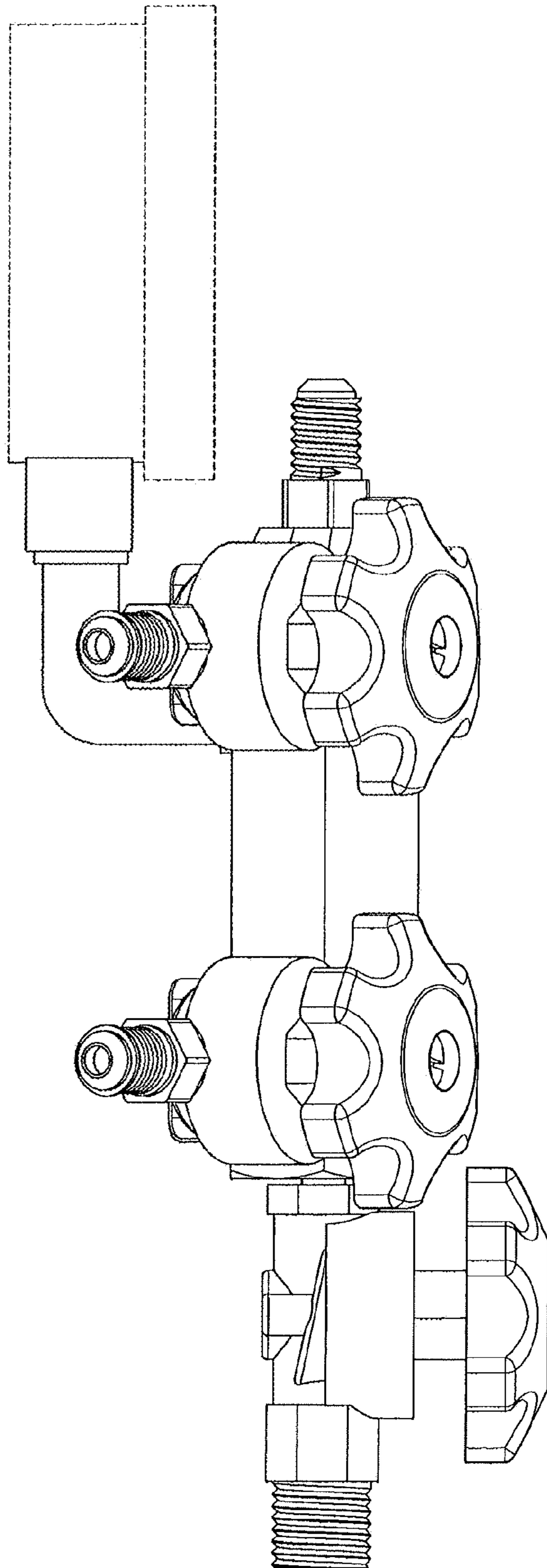


FIG. 5

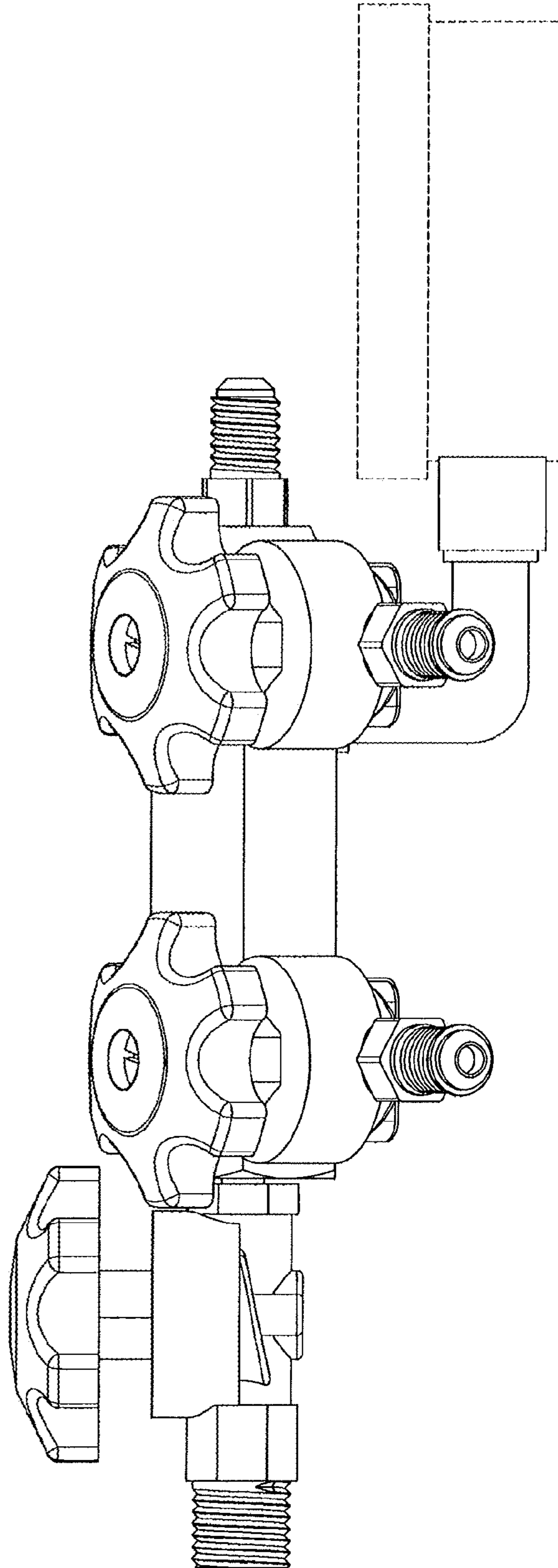


FIG. 6

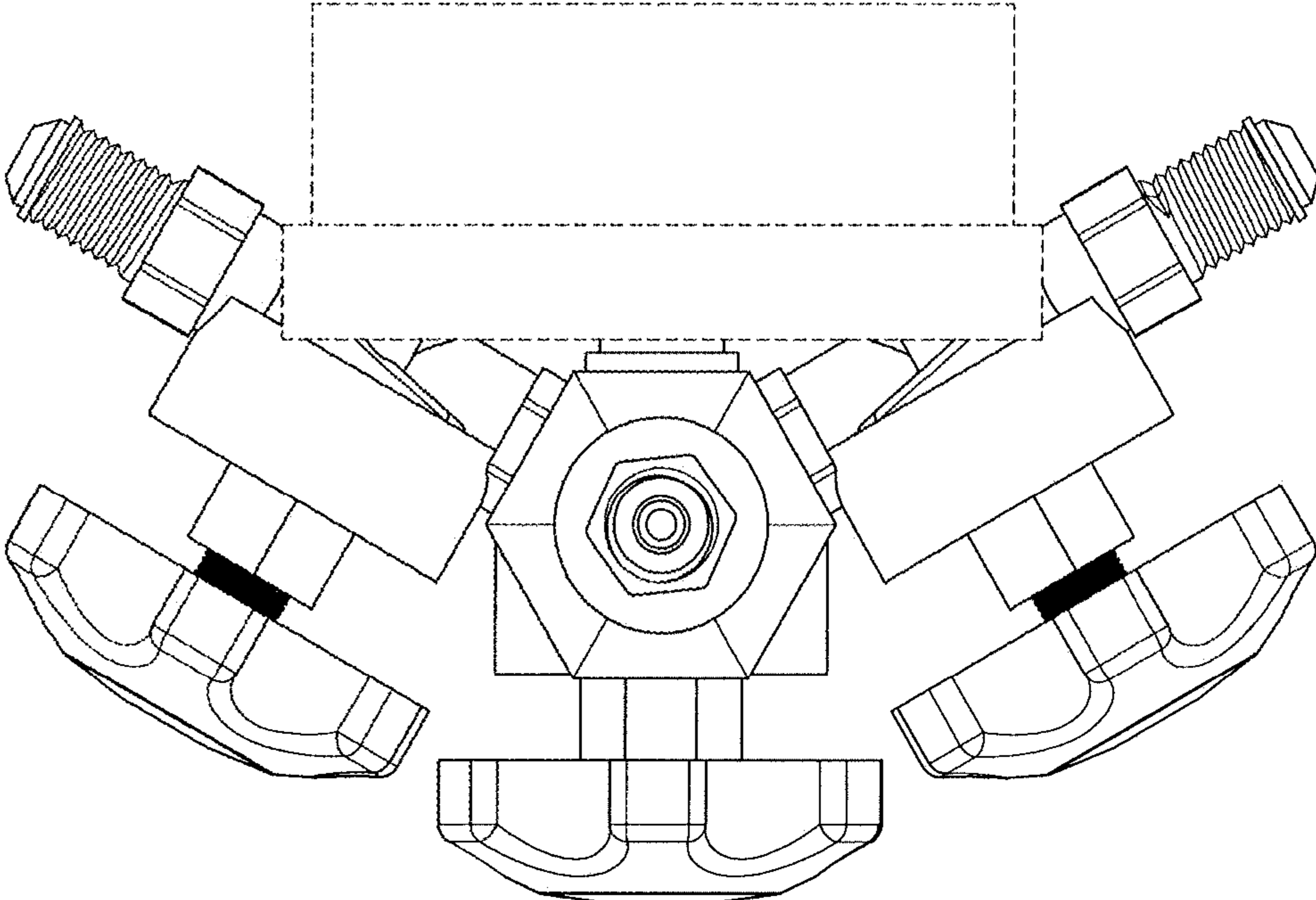


FIG. 7

