



US00D728625S

(12) **United States Design Patent**
Benjey

(10) **Patent No.:** **US D728,625 S**

(45) **Date of Patent:** **** May 5, 2015**

(54) **HYBRID ELECTRIC SUPERCHARGER ASSEMBLY**

(75) Inventor: **Robert P. Benjey**, Dexter, MI (US)

(73) Assignee: **Eaton Corporation**, Cleveland, OH (US)

(**) Term: **14 Years**

(21) Appl. No.: **29/417,031**

(22) Filed: **Mar. 29, 2012**

(51) **LOC (10) Cl.** **15-01**

(52) **U.S. Cl.**
USPC **D15/5**

(58) **Field of Classification Search**
USPC D13/103, 107, 118, 147; D15/1, 3, 5,
D15/148, 149, 199; 123/58.7, 383, 528,
123/559.1, 559.3, 560, 562, 563, 565, 566,
123/73 S; 477/32, 33; 903/906, 915;
180/65.26

See application file for complete search history.

(56) **References Cited**

U.S. PATENT DOCUMENTS

D383,140 S * 9/1997 Middlebrook D15/5
D453,773 S * 2/2002 Garcia D15/5
6,481,517 B1 * 11/2002 Kobayashi et al. 180/65.26

D538,224 S * 3/2007 Prelec, Sr. D13/107
D619,149 S * 7/2010 Aketa et al. D15/5
8,113,183 B2 * 2/2012 Prior et al. 123/559.1
D669,438 S * 10/2012 Li et al. D13/147
2006/0137664 A1 * 6/2006 McCoy 123/565
2006/0157036 A1 * 7/2006 Andersen 123/563
2007/0044776 A1 * 3/2007 Gradu et al. 123/559.3
2008/0060623 A1 * 3/2008 Prior 123/559.1
2010/0077997 A1 * 4/2010 Araki 123/559.1

* cited by examiner

Primary Examiner — Adir Aronovich

Assistant Examiner — Ramzi Almatrahi

(74) *Attorney, Agent, or Firm* — Merchant & Gould P.C

(57) **CLAIM**

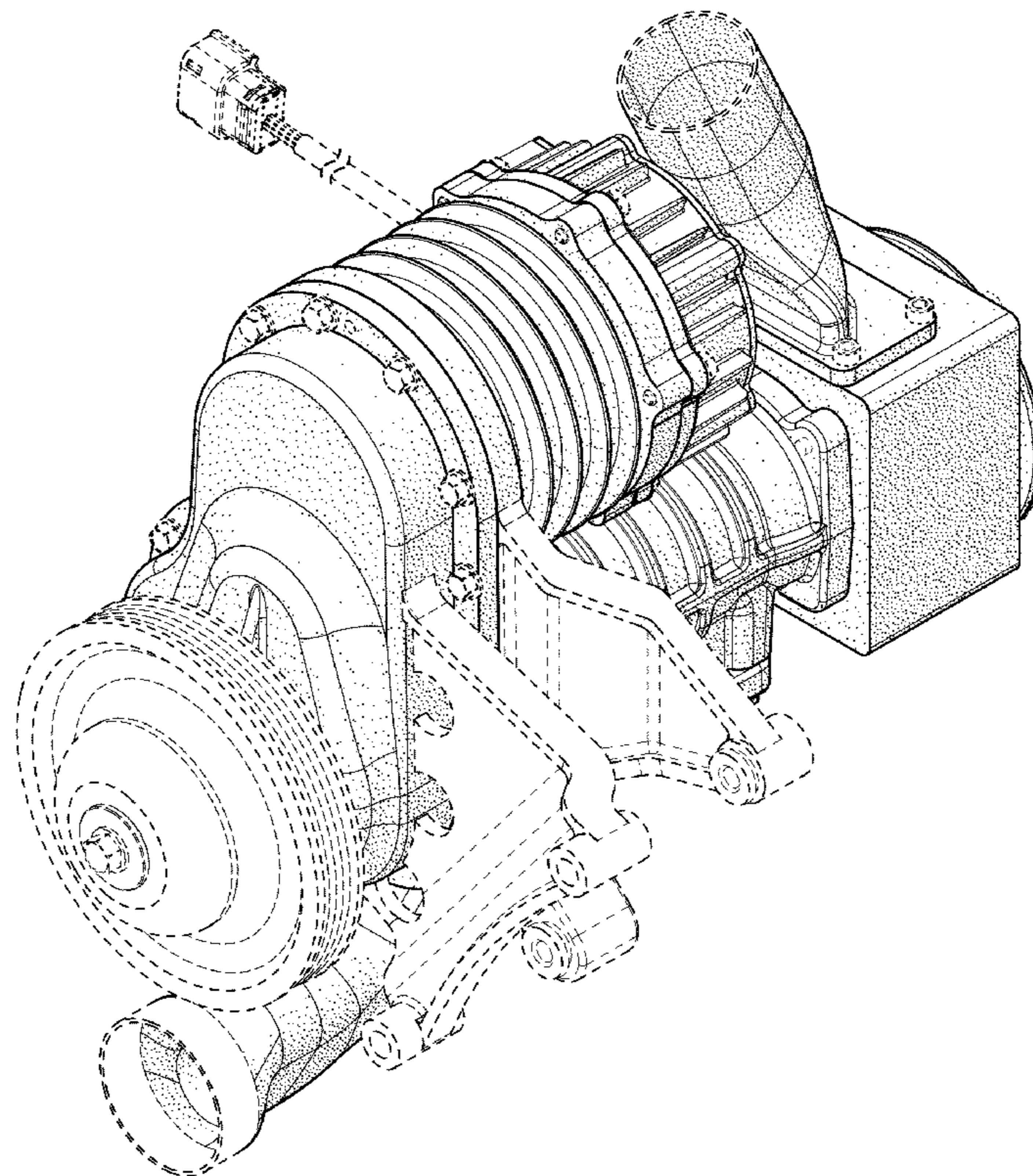
The ornamental design for a hybrid electric supercharger assembly, as shown and described.

DESCRIPTION

FIG. 1 is a front, left, and top perspective view of a hybrid electric supercharger assembly showing my new design; FIG. 2 is a rear, right, and bottom perspective view thereof; FIG. 3 is a front elevation view thereof; FIG. 4 is a rear elevation view thereof; FIG. 5 is a left side elevation view thereof; FIG. 6 is a right side elevation view thereof; FIG. 7 is a top plan view thereof; and, FIG. 8 is a bottom plan view thereof.

The broken lines showing portions of the hybrid electric supercharger assembly form no part of the claimed design.

1 Claim, 8 Drawing Sheets



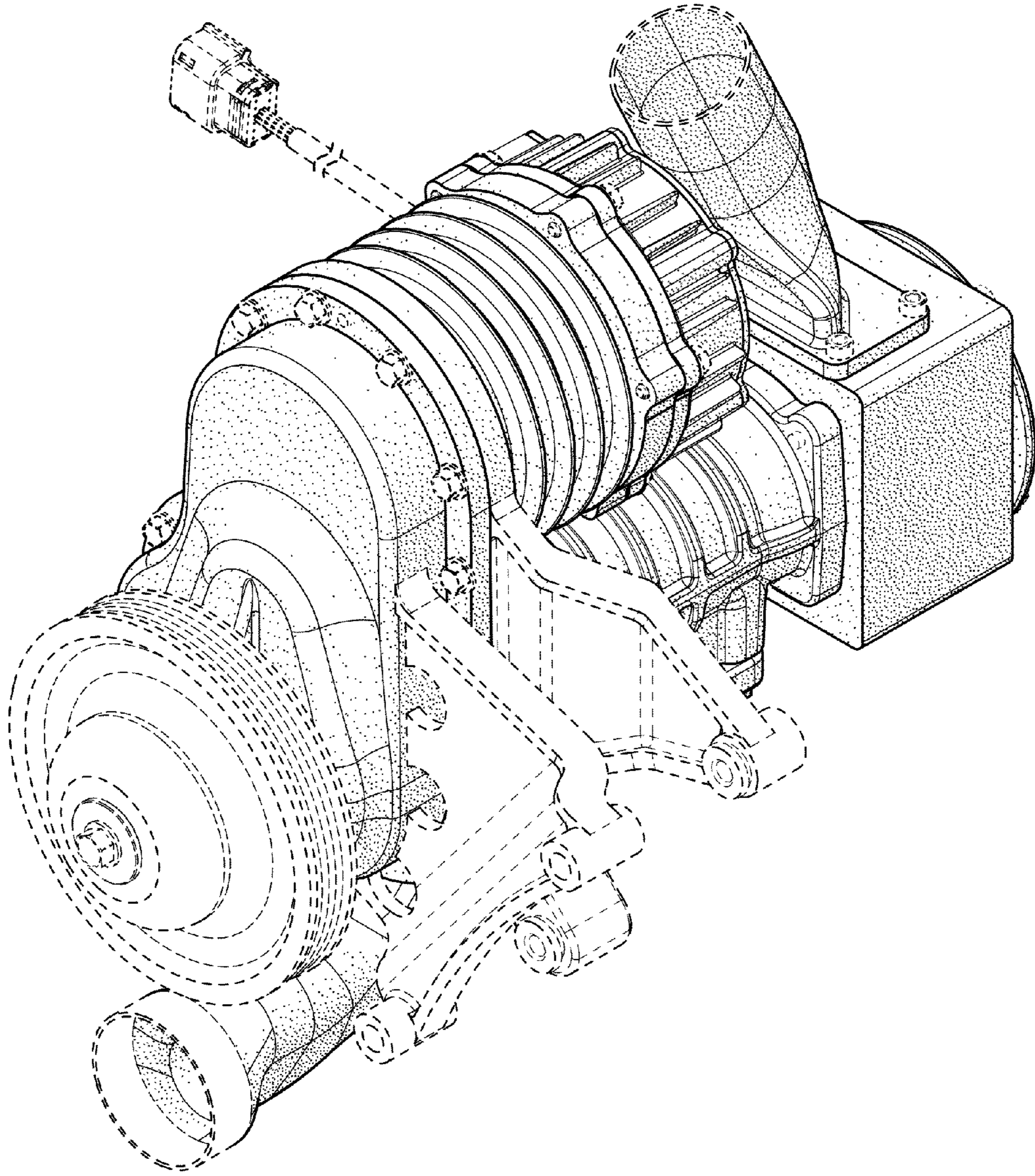


FIG. 1

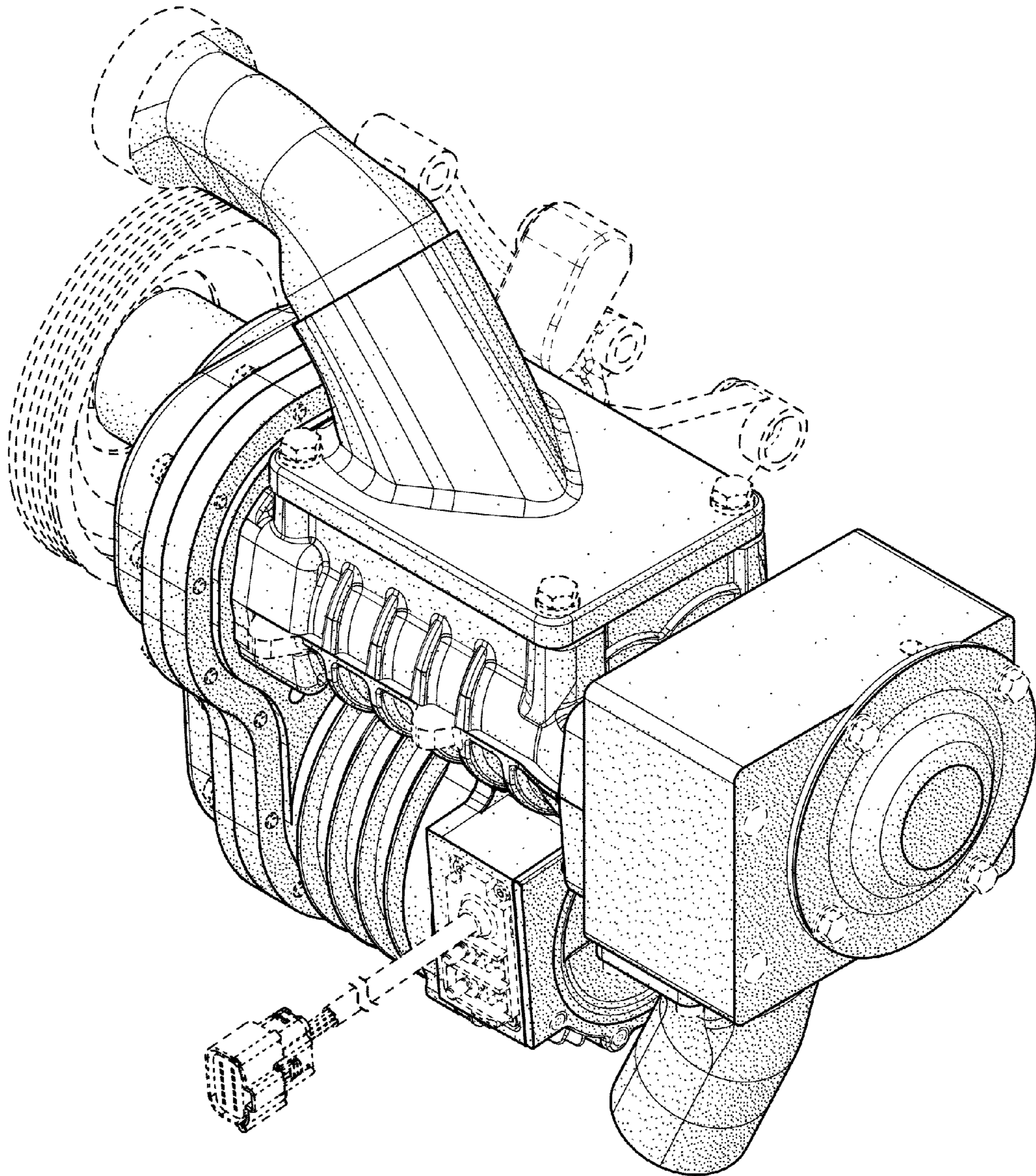


FIG. 2

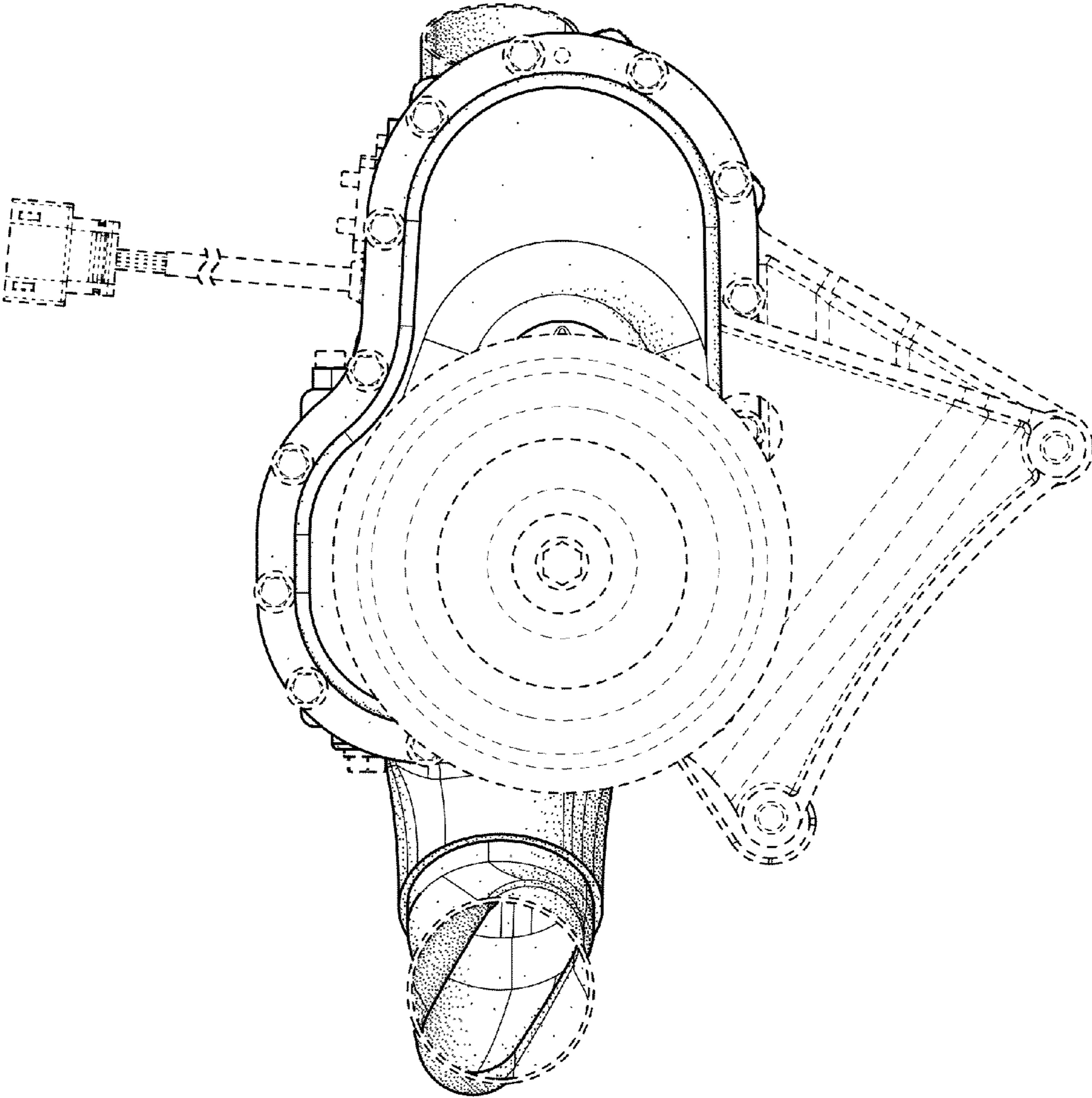


FIG.3

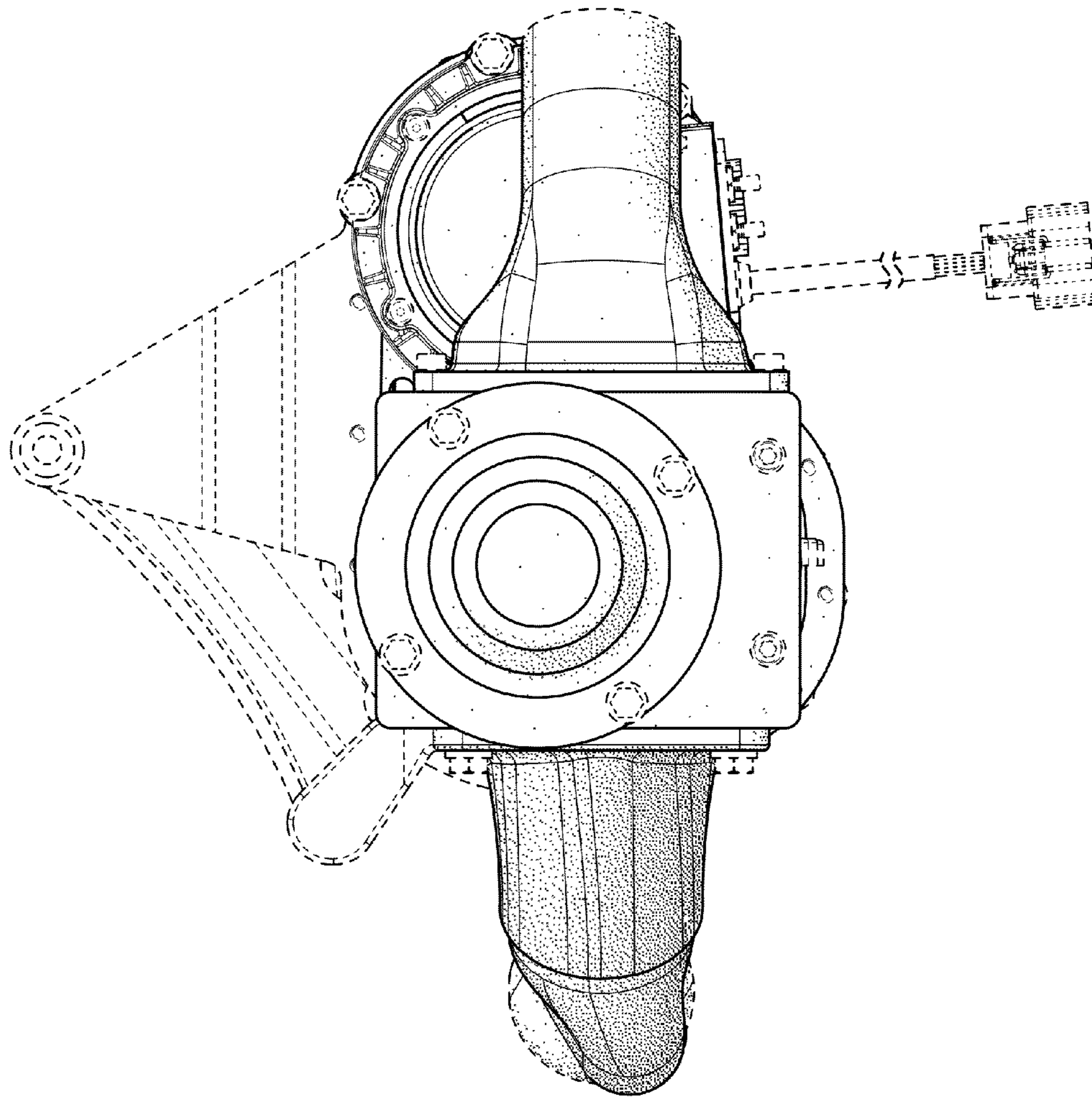


FIG. 4

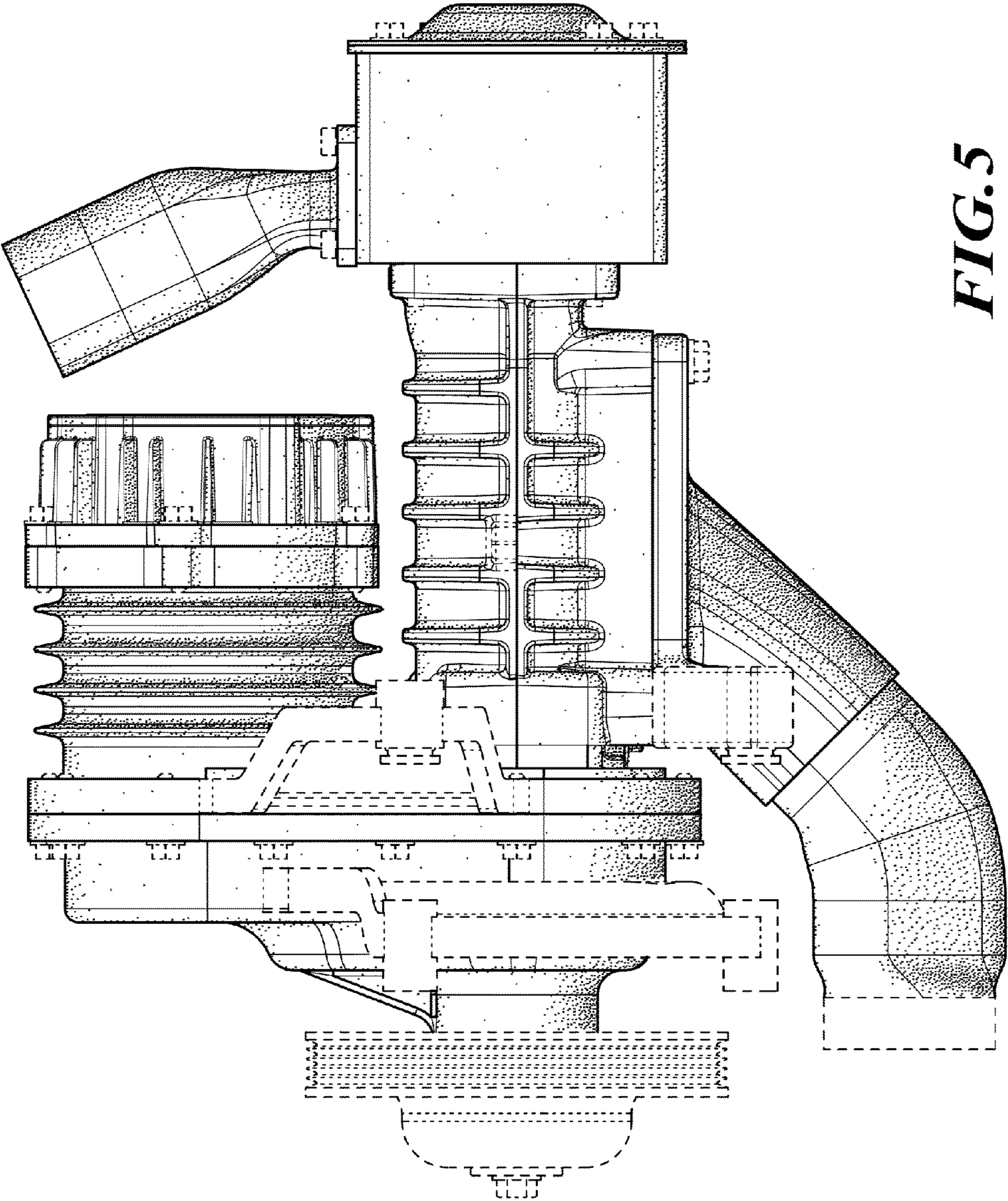


FIG. 5

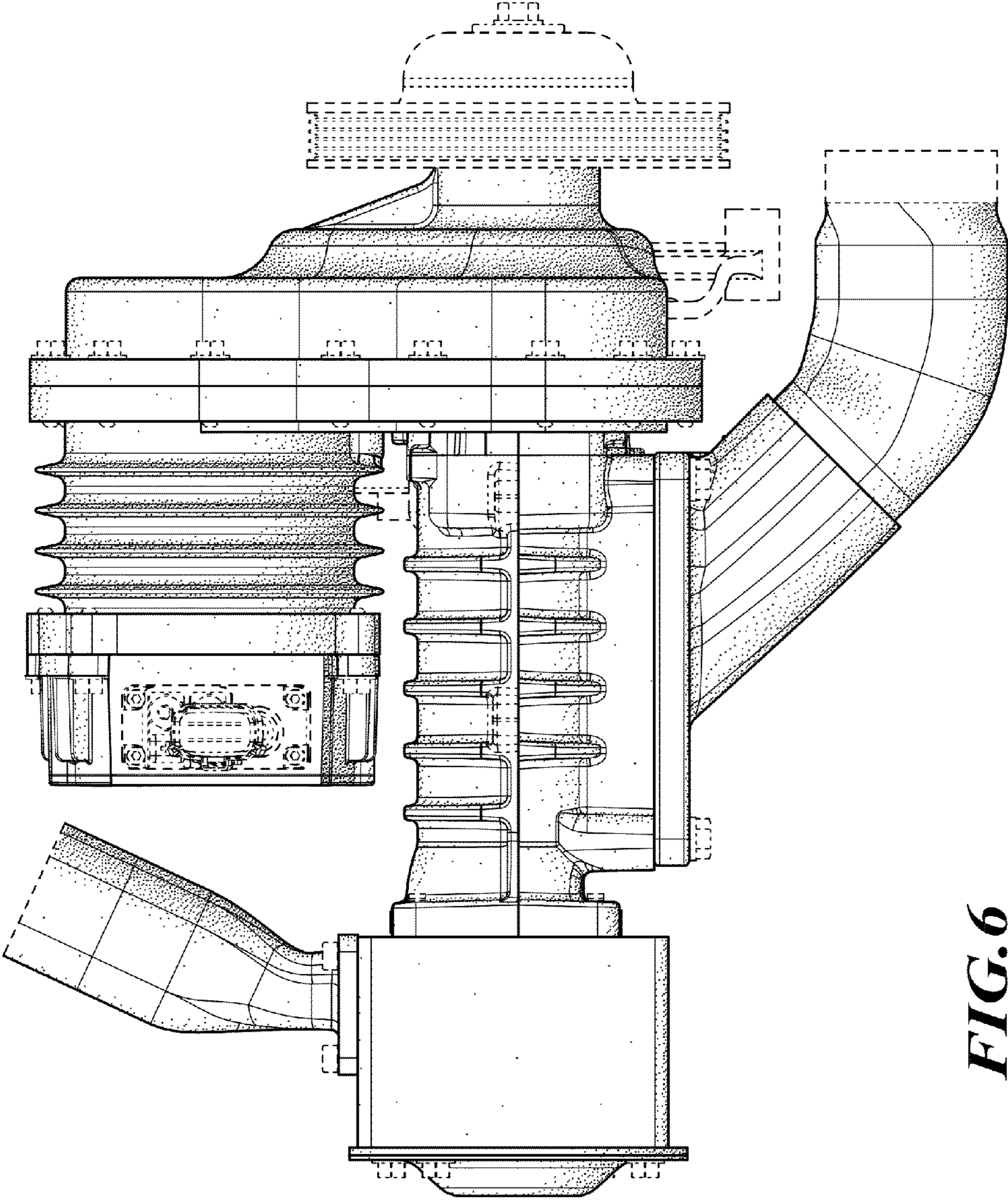


FIG. 6

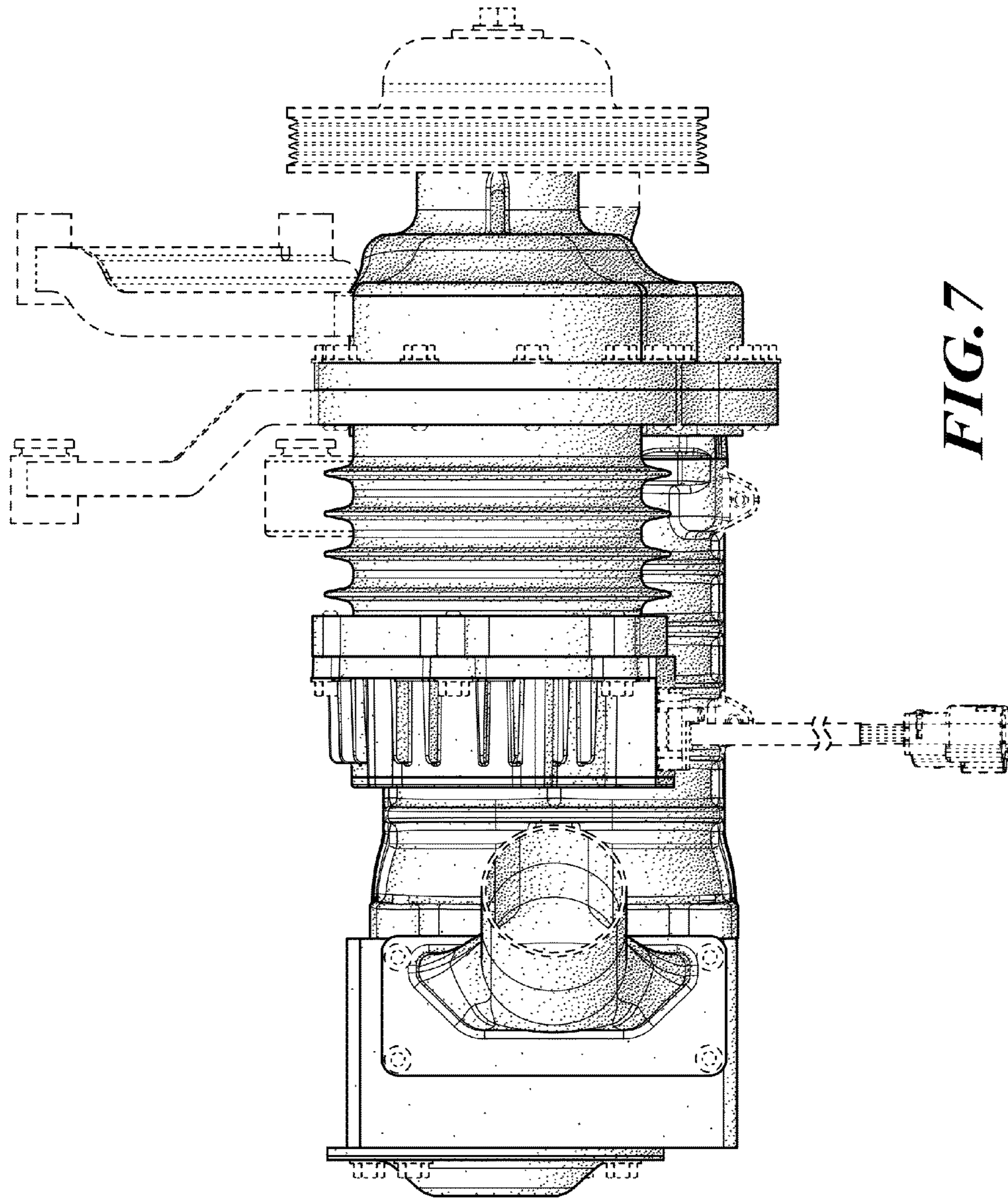


FIG. 7

